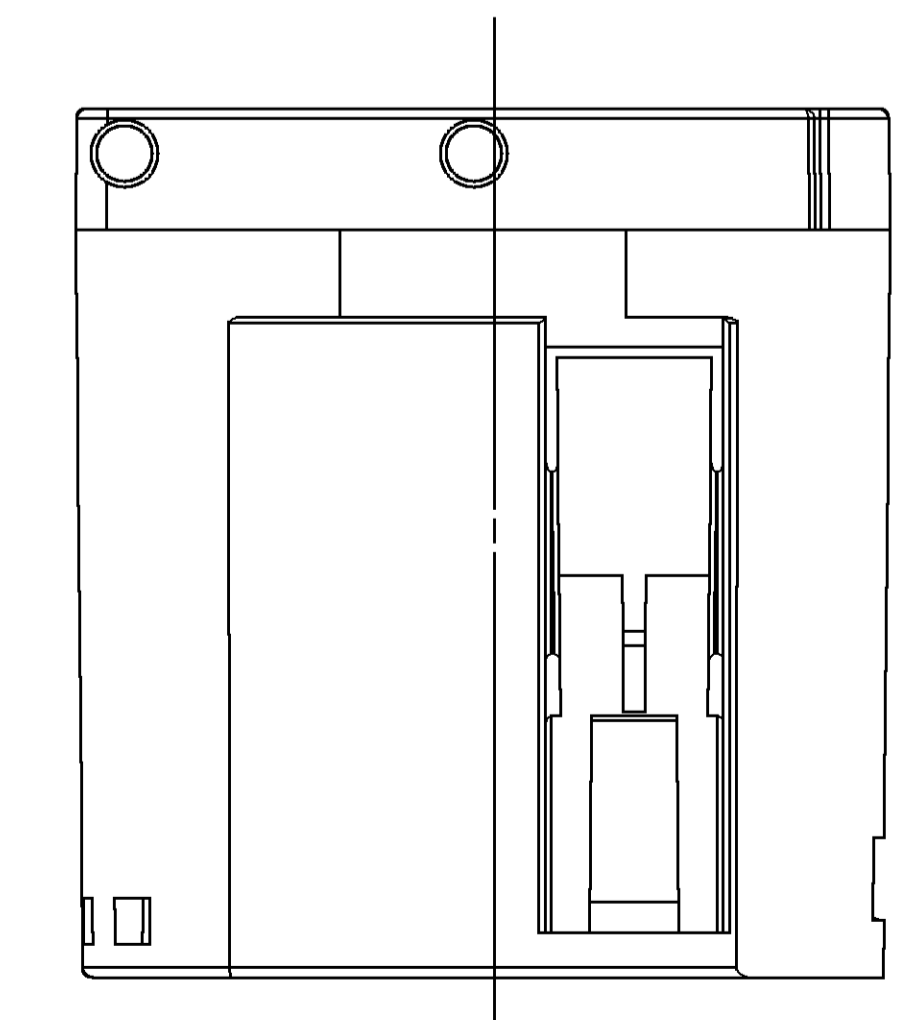
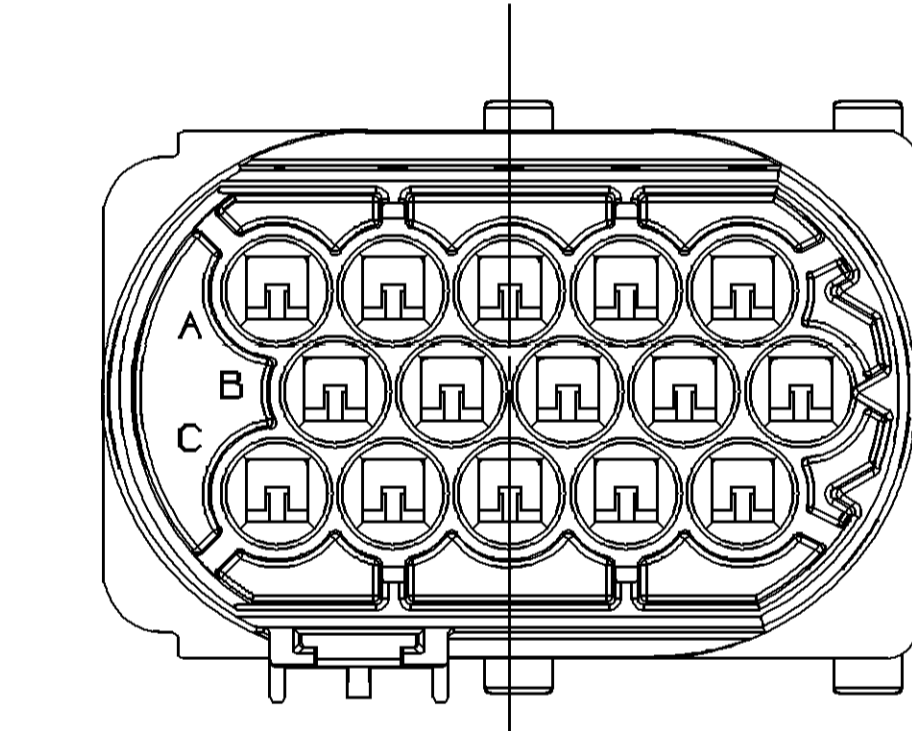
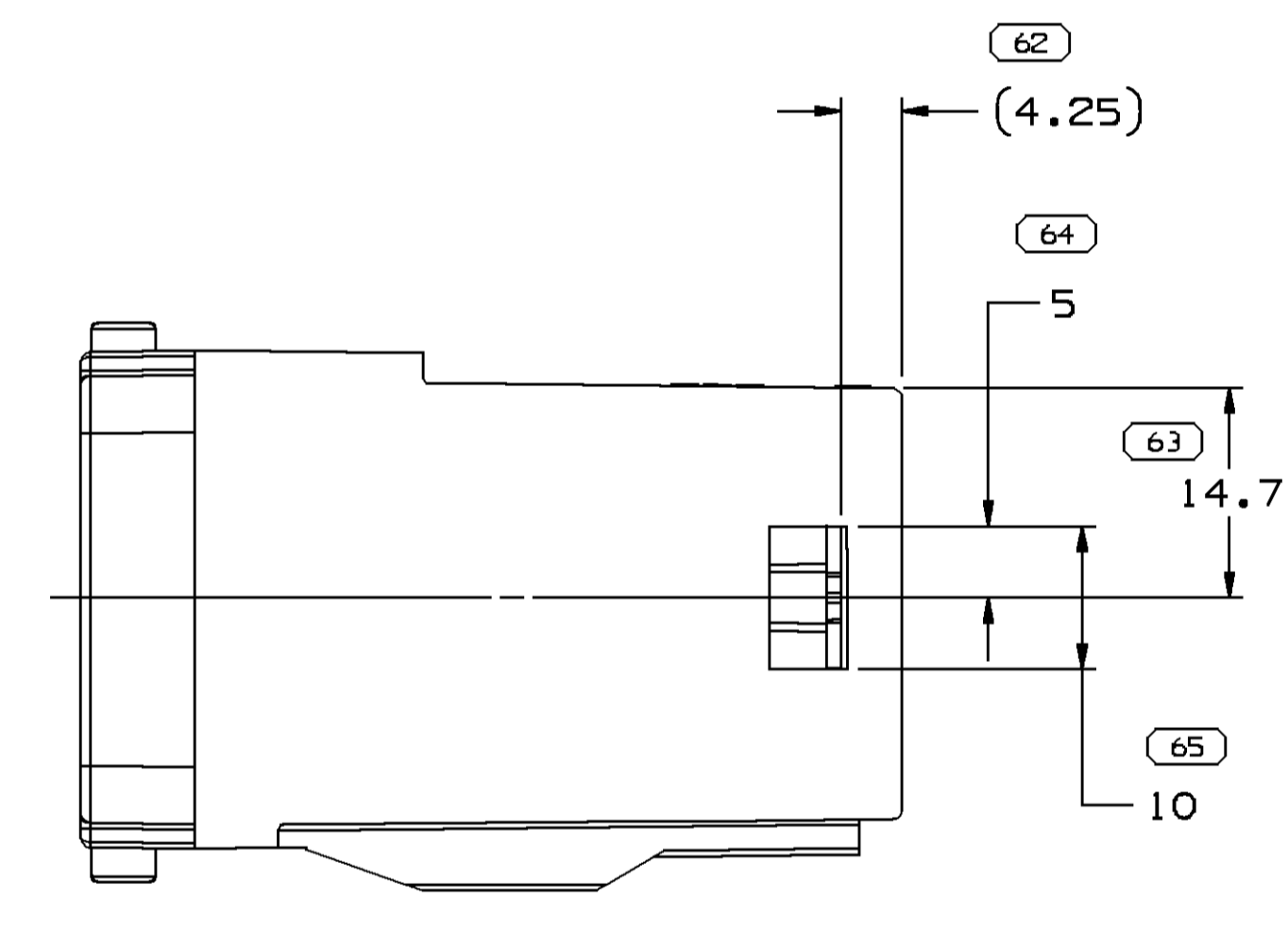
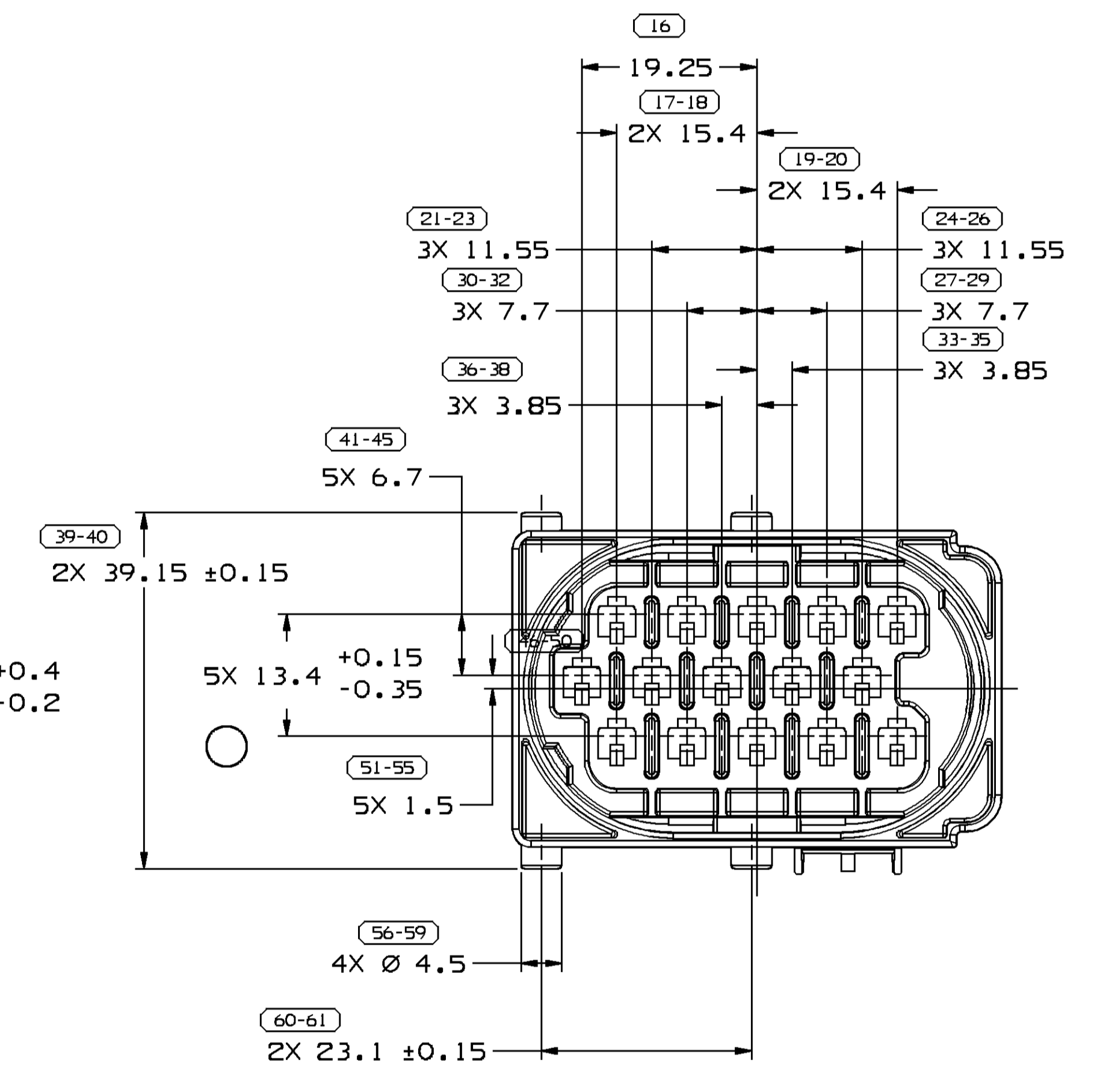
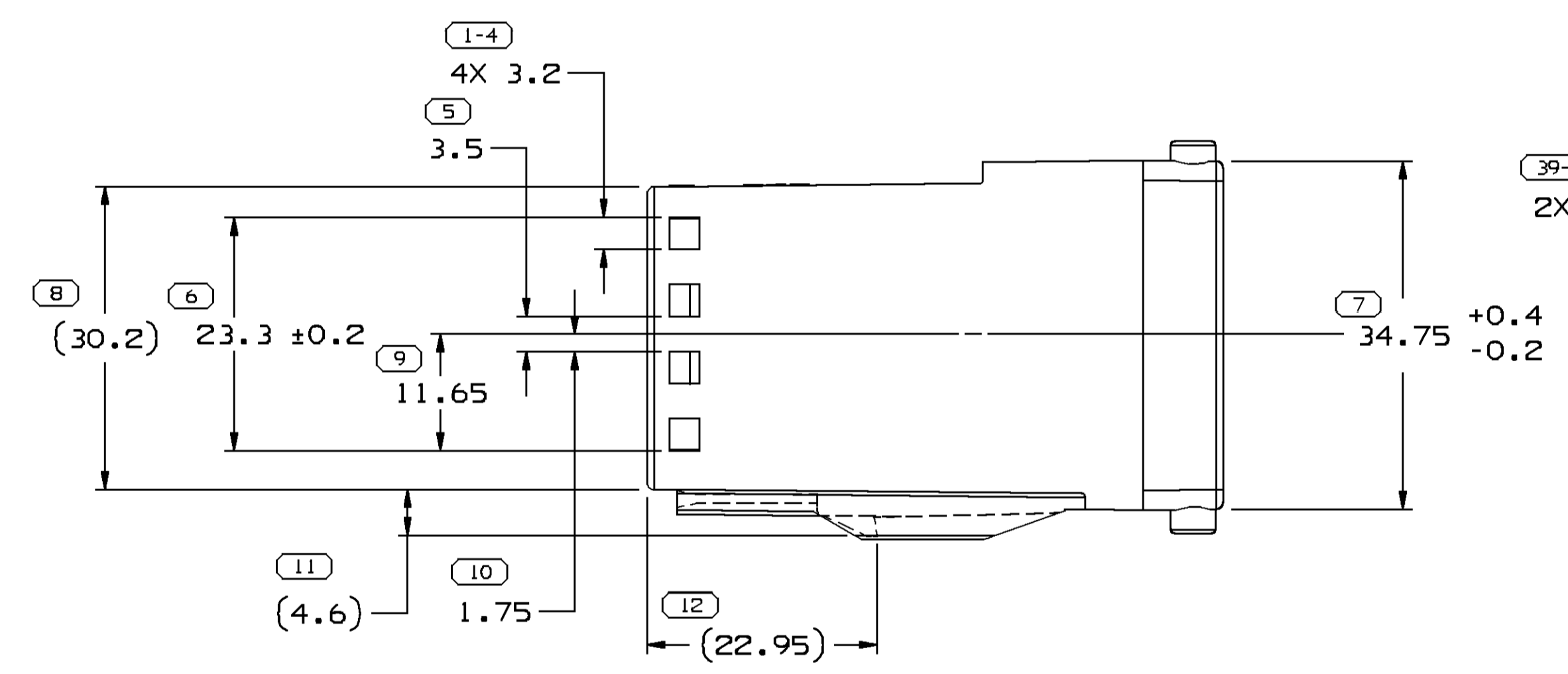
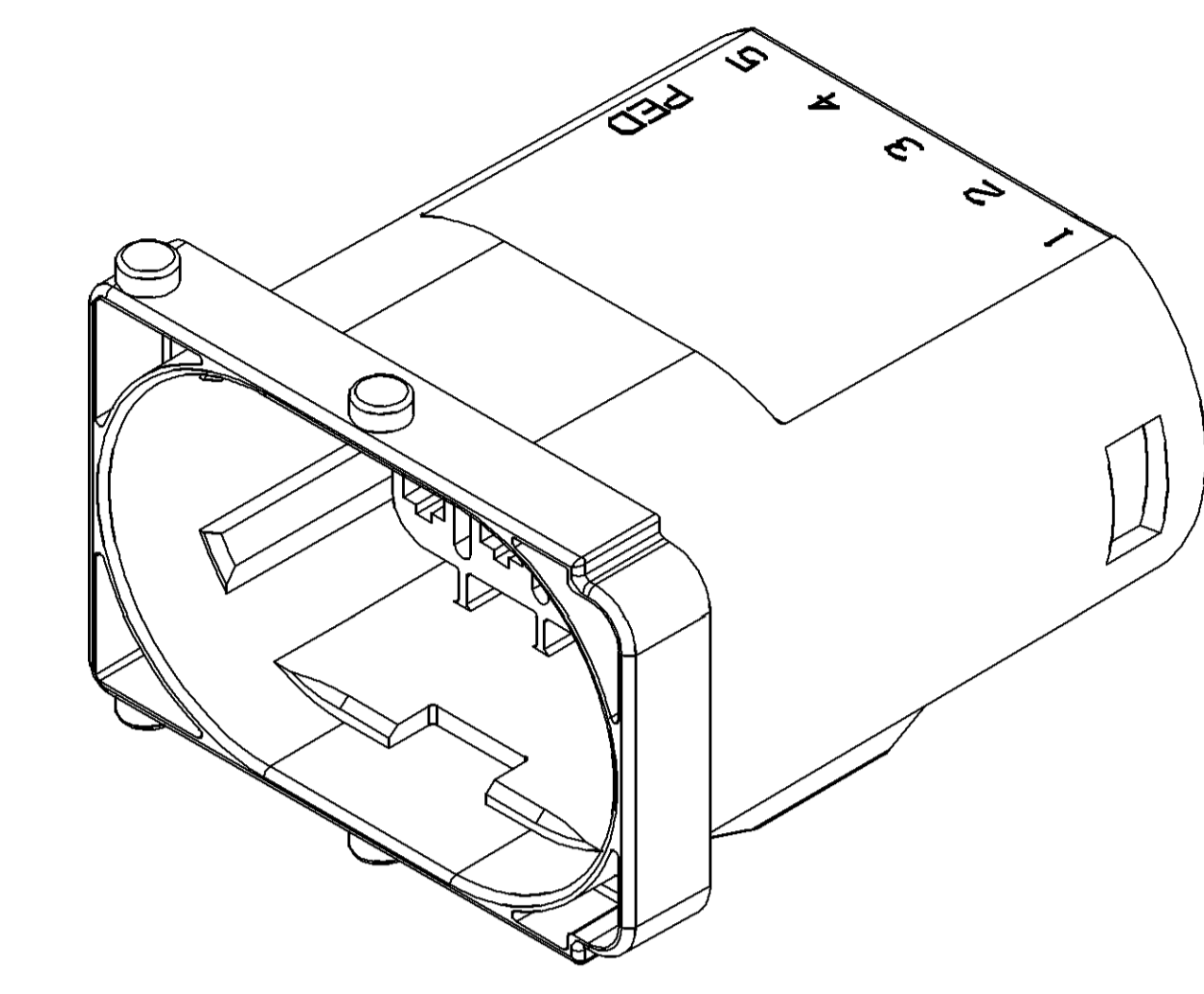
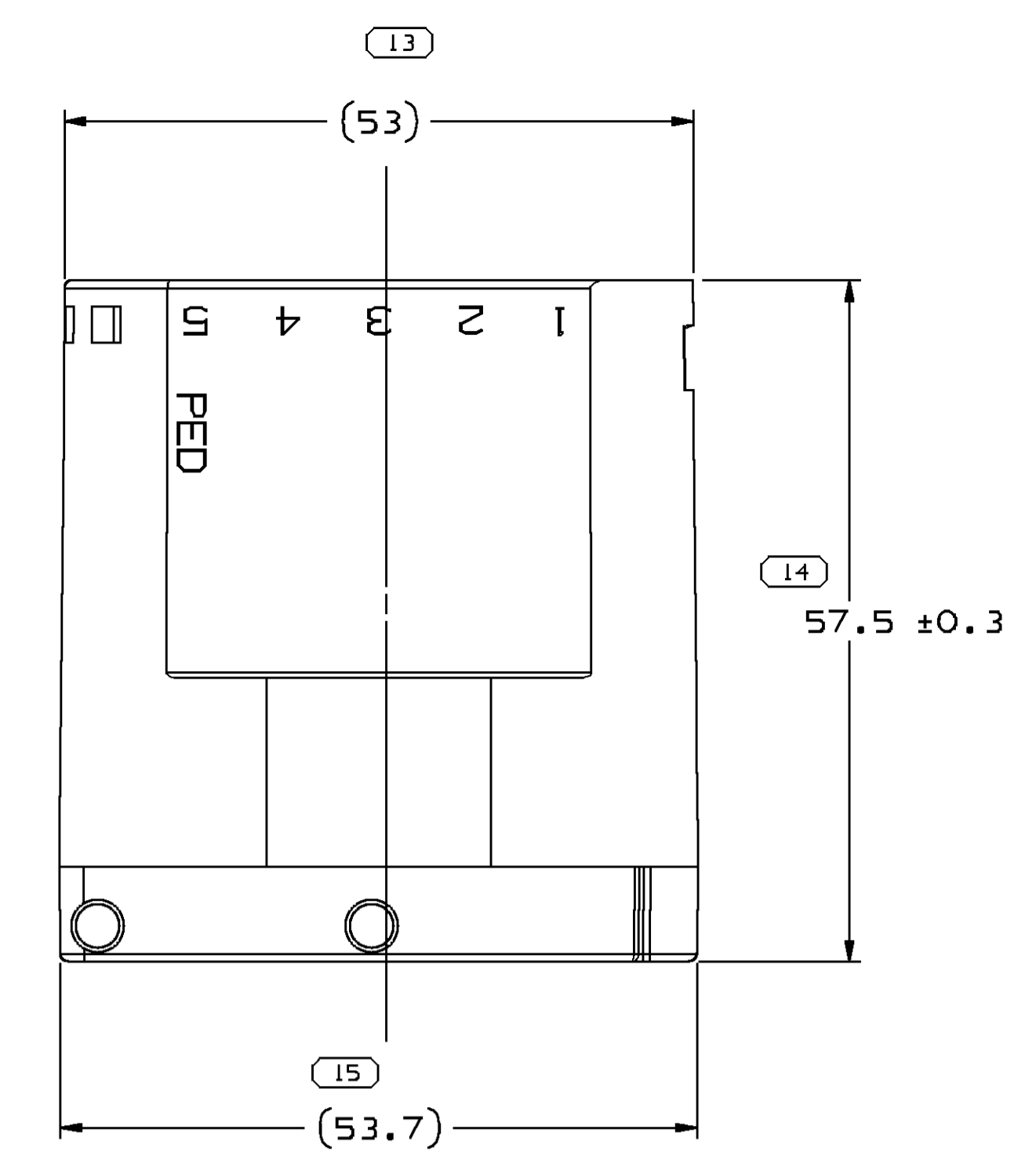


SYMBOL DEFINITION		MISSING NUMBERS	
THE NUMBER INSIDE THE SYMBOL	TOTAL NO. OF SYMBOLS ON DRAWING	31	
CORRESPONDS TO THE NUMBER ON THE INSPECTION REPORT FOR THIS DRAWING/PART NUMBER	LAST NO. USED	65	

DWG STATUS					REVISION HISTORY					AUTH		DR		APVD	
DATE	STG	REV	IV/P	CHG	ZONE						410039	CBO	CBO	JPZ	
23FE10	R	B4	-	-		CLEARED REVISION COLUMN & DIM 5X 13.4 +0.15/-0.35 WAS 5X 13.4 +0.15/-0.3									



- NOTES
- UNLESS OTHERWISE SPECIFIED AND/OR INDICATED: DIMENSIONS ARE TO FACE OF VIEW SHOWN AND AUTOMATICALLY ROUNDED BY COMPUTER FOR INSPECTION. (SEE MATH MODEL FOR PRECISE DIMENSIONS.) FOR ALL OTHER DIMENSIONS NOT SHOWN BUT REQUIRED FOR TOOL BUILD, SEE MATH MODEL FOR PRECISE TOOL PATH DATA.
 - FOR APPLICATION DATA SEE THE APPLICATION DRAWING.
 - (2.31X10.1) DELPHI CORPORATE BRAND TO BE LOCATED ON ANY EXTERIOR SURFACE, PREFERABLY VISIBLE AT FINAL ASSEMBLY. OPTIONAL CONSTRUCTION FOR EXISTING TOOLING MAY BE "PED".

DIMENSIONAL RANGE (MM)	CHART SET
FROM > 0	> 20
TO 20	30
	40
	50
	60
	70
	80
	90
	100
	150
	200
	250
	300
	400

PART DRAWING	
STYLE	31.545
VOLUME (OMP)	D
DISTR CODE	
UNLESS OTHERWISE SPECIFIED	
THIS DOCUMENT IS IN ACCORDANCE WITH ASME Y14.5M-1994 AS MODIFIED BY THE 2003 SUPPLEMENT AND TELEPHANING ADDENDUM-2001. SEPARATE PATTERNS OF FEATURES MAY BE SHOWN SEPARATELY, REGARDLESS OF DATUM REFERENCES.	
ALL DIMENSIONS ARE IN MILLIMETERS	
REFERENCE	+

DELPHI
DELPHI PACKARD ELECTRICAL/ELECTRONIC ARCHITECTURE
WARREN, OH

DR	DATE
APV01 W. TURNBULL	03NOV94
APV02 B. SHATTUCK	10NOV94
APV03 G. DETTER	22NOV94
APV04	

SUBSTANCES OF CONCERN AND RECYCLED CONTENT PER DELPHI (09449001)

MATERIAL: POLYAMIDE COMPOUND BLACK

DRAWING NAME: CONN 15 M M/P 280 SLD

DRAWING NUMBER: 12161187

SIZE	SCALE	FRAME NO	SHEET NO	STG	REV	IV/P
A0	2:1	1	1	1	R	B4

Date: 03-Mar-10 Time: 10:29

X-ON Electronics

Largest Supplier of Electrical and Electronic Components

Click to view similar products for [Automotive Connectors](#) category:

Click to view products by [APTIV](#) manufacturer:

Other Similar products are found below :

[003-018-000](#) [60403001](#) [60993906-B](#) [629515004020001](#) [M902-2131](#) [M902-2161](#) [72.330.1035.1](#) [73.353.4028.0](#) [F119300-B](#) [F166900](#)
[F258300-B](#) [F358300-B](#) [F407400](#) [F444110](#) [F487000](#) [F509500B-B](#) [827153-1](#) [8N1515-32-24P](#) [9-1326729-8](#) [925474-1](#) [928905-1](#) [964562-4](#)
[968782-1](#) [GT17SA-8DS-HU](#) [98891-1012](#) [98947-1016](#) [12004475-L](#) [12010290](#) [12010309-B](#) [12015454](#) [12020219-B](#) [12020308](#) [12041318-B](#)
[12052225-L](#) [12052466](#) [12059125](#) [12064869](#) [12004327-B](#) [12010503-B](#) [12015308](#) [12015384](#) [12015909](#) [1-21030-1](#) [12041254](#) [12041318](#)
[12047946-B](#) [12047957](#) [12047957-L](#) [12059473](#) [12066261](#)