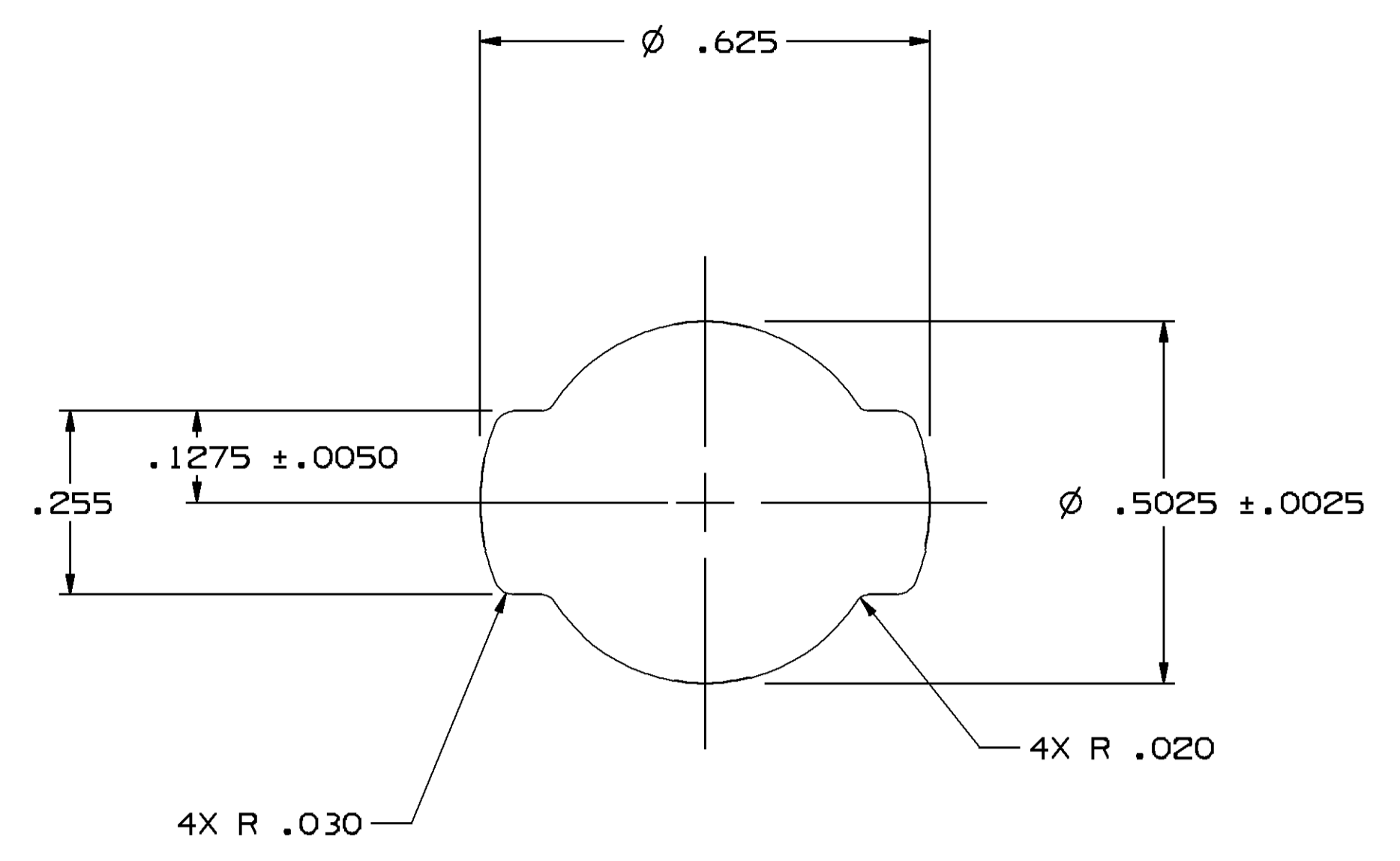
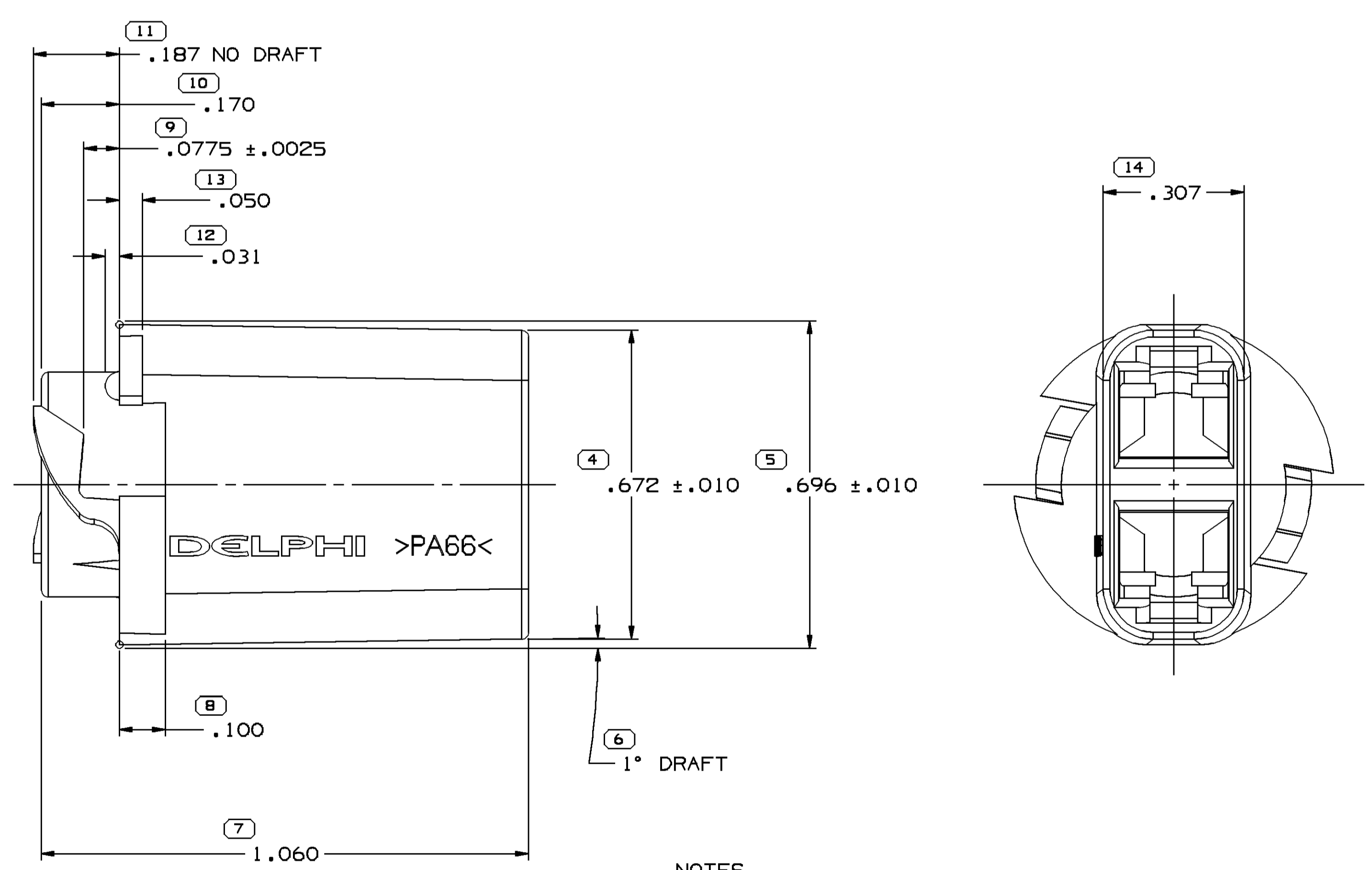
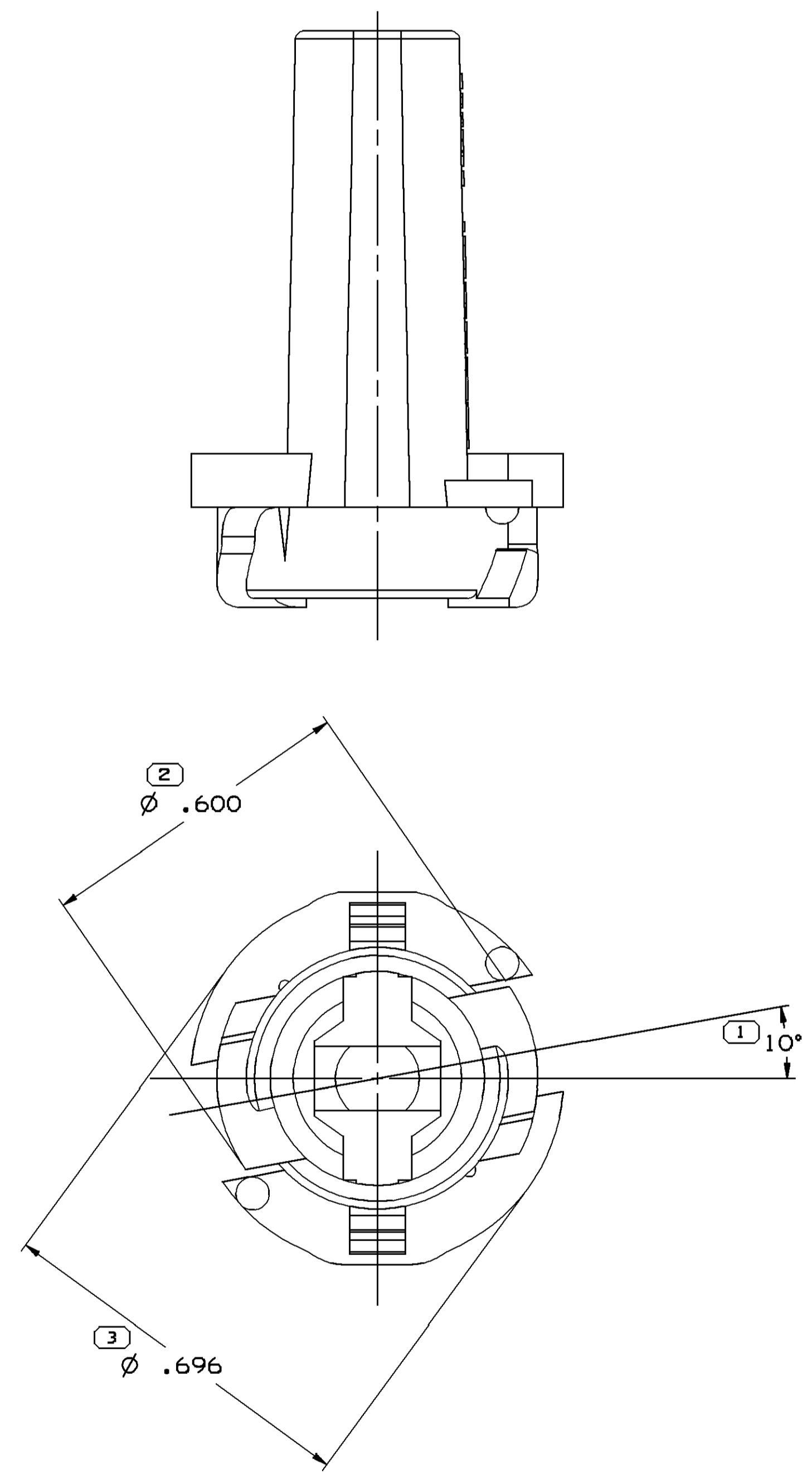


SYMBOL DEFINITION		TOTAL NO OF INSPECTIONS REQUIRED	MISSING SYMBOLS
A DIMENSION WITHOUT AN INSPECTION REPORT SYMBOL DOES NOT REQUIRE INSPECTION. IT MAY BE CONTROLLED ON THE INDIVIDUAL COMPONENT DRAWING.		14	NO MISSING SYMBOL NUMBER
	LAST NO. USED	14	

DWG STATUS				REVISION HISTORY				AUTH	DR	AP/VD
DATE	STG	REV	N/P	CHG	ZONE					
27FE02	R	001	-	-		ALL PARTS - CREATED PD & REVISED MAT'L SPEC	214864	EGR	EGR	AL
27FE02	R	002	-	-		ALL PARTS - .1275±.0050 WAS .125	221780	EGR	EGR	AL
23MY06	R	03	-	-		ALL PARTS - CORRECTED PART ECL	280325	JS	JS	MEF
27JUN06	R	04	-	-		ALL PARTS - REMOVED BLENDED EDGE UNDER LOCK FEATURE AND GROOVE UNDER FLANGE ON OUTSIDE SOCKET	282017	RH	RH	MEF
22DE06	R	05	-	-		12162708 - OBSOLETE	288187	JBD	JAA	061



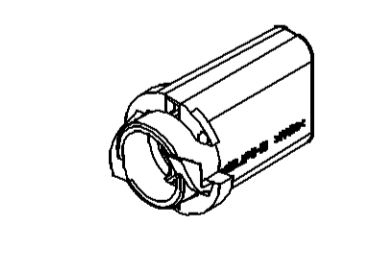
SOCKET TO BE ASSEMBLED IN HOLE SHOWN IN .0655±.0085 THICK PANEL



NOTES

- UNLESS OTHERWISE SPECIFIED AND/OR INDICATED: DIMENSIONS ARE TO FACE OF VIEW SHOWN AND AUTOMATICALLY ROUNDED BY COMPUTER FOR INSPECTION (SEE MATH MODEL FOR PRECISE DIMENSIONS). FOR ALL OTHER DIMENSIONS NOT SHOWN BUT REQUIRED FOR TOOL BUILD, SEE MATH MODEL FOR PRECISE TOOL PATH DATA.
- MATERIAL RECYCLING CODE >PA66< PER SAE J1344. (.090)X(.004) RAISED CHARACTERS AS SHOWN TO BE LOCATED ON ANY EXTERIOR SURFACE. OPTIONAL CONSTRUCTION TO BE NO MATERIAL RECYCLING CODE.
- MATING COMPONENTS OR EQUIVALENT: TERMINAL 12089661
- (.090)X(.004) RAISED DELPHI CORPORATE BRAND TO BE LOCATED ON ANY EXTERIOR SURFACE, PREFERABLY VISIBLE AT FINAL ASSEMBLY. OPTIONAL CONSTRUCTION TO BE "PED" OR NO LOGO.

PART NO	REV	N/P	STATUS	MATERIAL SPECIFICATION AND COLOR	REPLACES
12162711	02	AC	-	M3592001 - PA66 IM HS BLK	12004215
12162710	02	AC	-	M3592012 - PA66 IM HS GRA LT	12004347
12162709	02	AC	-	M3592008 - PA66 IM HS BLU	12004932
12162708	02	AD	OBSOLETE	M3592002 - PA66 IM HS NAT	12020218
12162707	02	AC	-	M3592025 - PA66 IM HS GRA MD	12020503
12162706	A4	-	-	M3592004 - PA66 IM HS RED	12103311



DWG TYPE PART DRAWING	
STYLE	DISTR CODE
VOLUME 10/11	0.115
UNLESS OTHERWISE SPECIFIED THIS DOCUMENT IS IN ACCORDANCE WITH ASME Y14.5M-1994 AS MODIFIED BY THE IN-SPEC DIMENSIONING AND TOLERANCE PRACTICE (ASME Y14.5M-1994) SEPARATE WRITINGS OF FEATURES MAY BE BASED SEPARATELY PERMISSIBLE OF DATUM REFERENCES.	
ALL DIMENSIONS ARE IN INCHES	
REFERENCE	12004348
THIRD ANGLE PROJECTION	DO NOT SCALE
USE MATH DATA	UNGRAPHS

DELPHI
DELPHI PACKARD ELECTRIC SYSTEMS
WARREN, OH

DR	DATE
APV01 E. GARCIA	27FE02
APV02 E. GARCIA	27FE02
APV03 A. LOPEZ	27FE02
APV04	
APV05	

SUBSTANCES OF CONCERN AND RECYCLED CONTENT PER DELPHI 10949001

MATERIALS SEE CHART

DRAWING NAME
TAXI CONN F LP SOC WEDGE W2

DRAWING NUMBER
12162775

SIZE	SCALE	FRAME NO	SHEET NO	STG	REV	N/P
A0	5:1	1	1	1	05	-

X-ON Electronics

Largest Supplier of Electrical and Electronic Components

Click to view similar products for [Automotive Connectors](#) category:

Click to view products by [APTIV](#) manufacturer:

Other Similar products are found below :

[003-018-000](#) [60403001](#) [60993906-B](#) [629515004020001](#) [M902-2131](#) [M902-2161](#) [72.330.1035.1](#) [73.353.4028.0](#) [F119300-B](#) [F166900](#)
[F258300-B](#) [F358300-B](#) [F407400](#) [F444110](#) [F487000](#) [F509500B-B](#) [827153-1](#) [8N1515-32-24P](#) [9-1326729-8](#) [925474-1](#) [928905-1](#) [964562-4](#)
[968782-1](#) [GT17SA-8DS-HU](#) [98891-1012](#) [98947-1016](#) [12004475-L](#) [12010290](#) [12010309-B](#) [12015454](#) [12020219-B](#) [12020308](#) [12041318-B](#)
[12052225-L](#) [12052466](#) [12059125](#) [12064869](#) [12004327-B](#) [12010503-B](#) [12015308](#) [12015384](#) [12015909](#) [1-21030-1](#) [12041254](#) [12041318](#)
[12047946-B](#) [12047957](#) [12047957-L](#) [12059473](#) [12066261](#)