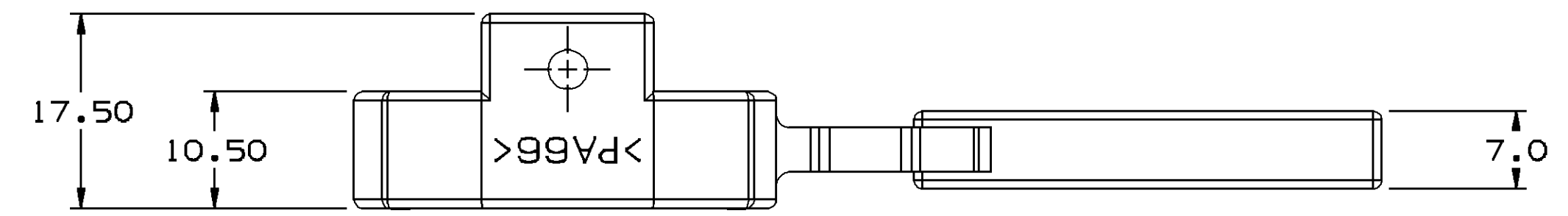
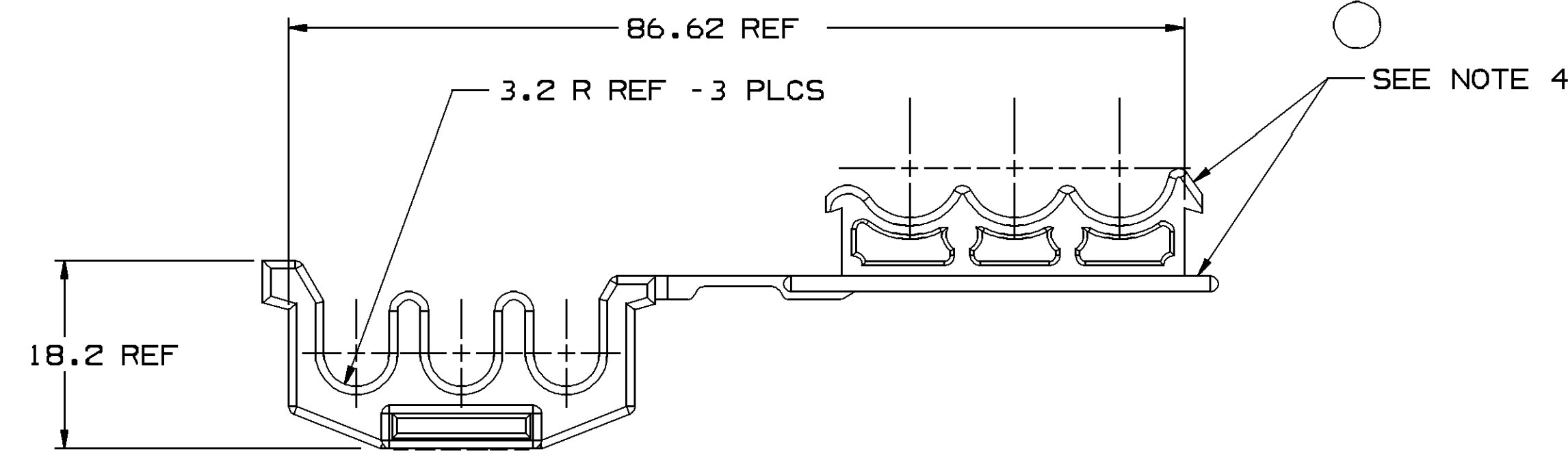
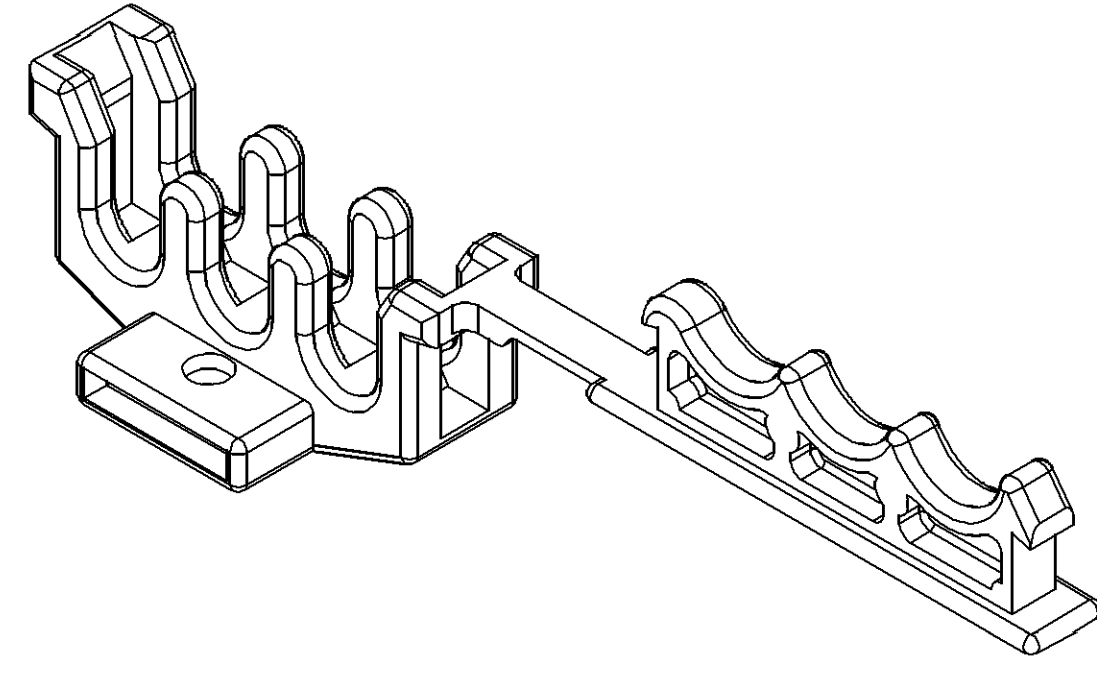
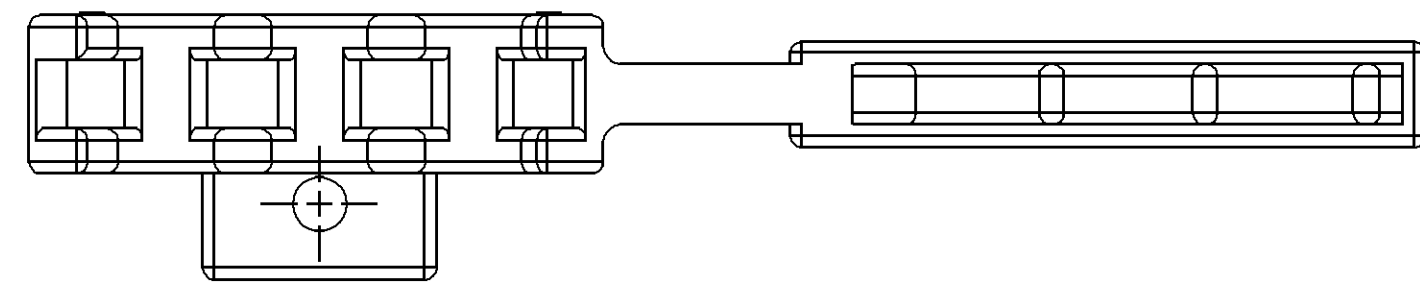


D

PART NO  
1216 3607

DATE	SYM	REVISION RECORD	AUTH	DR	CK
03MY95	A	PID CREATED	950005	RPC	RPC
21DE95	A1	REV LEVEL ADVANCED &			
		MAT'L SPEC UPDATED	166450	ROM	AUG
10JU96	B	ADDED MATERIAL SAVER			
		TO BASE	173113	JH	TMP
28NO96	B1	REV SYM ADVANCED &			
		REVISED NOTE #1	173177	AM	AUG
28NO96	B2	REV SYM ADVANCED	173189	AM	AUG
28AP98	B3	REV SYM ADVANCED	183387	JIL	JGS
24JL07	B4	ADDED MATERIAL			
		DISCOLORATION NOTE	401943	JTZ	JAA



**MOUNTING BRACKET**  
MATERIAL: SAE 1008 OR 1010  
TOLERANCE: ONE PLACE ±0.5  
TWO PLACE ±0.25  
SCALE 4:1

**NOTES**

- 1. UNLESS OTHERWISE SPECIFIED AND/OR INDICATED: DIMENSIONS ARE TO FACE OF VIEW SHOWN AND AUTOMATICALLY ROUNDED BY COMPUTER FOR INSPECTION (SEE MATH MODEL FOR PRECISE DIMENSIONS). FOR ALL OTHER DIMENSIONS NOT SHOWN BUT REQUIRED FOR TOOL BUILD, SEE MATH MODEL FOR PRECISE TOOL PATH DATA.
- 2. DIMENSIONS MARKED "REF" ARE FOR REFERENCE ONLY AND NO TOLERANCE LIMITS ARE ESTABLISHED.
- 3. THIS PART IS NOT CONTROLLED FOR AUTOMATIC FEEDING.
- 4. MATERIAL DISCOLORATION IS ACCEPTABLE IN THIS AREA (2 PLCS). DISCOLORATION DOES NOT IMPACT PRODUCT FIT OR FUNCTION.

PART NO  
1216 3607

DRAWING TYPE PID	OTHER DRAWINGS AVAILABLE DETAIL
<b>Uitgraphics II</b>	
THIRD ANGLE PROJECTION	
CODE NO 6901	GC
MATERIAL SPEC R0071754 PA66 HS 1M-BLK	
NAME CLIP IGN 7MM	
DWG DATE 10MR95	SCALE 2:1
REFERENCE NO	APPR J.A. GOURASH 31MY95
DWG DATE 10MR95	DR RICARDO PINA 03MY95
SCALE 2:1	CK RICARDO PINA 03MY95
VOL CM <sup>3</sup> 3.807	
MATERIAL SPEC R0071754 PA66 HS 1M-BLK	
NAME CLIP IGN 7MM	
PART NUMBER 1216 3607	SIZE A1

## X-ON Electronics

Largest Supplier of Electrical and Electronic Components

*Click to view similar products for [Automotive Connectors](#) category:*

*Click to view products by [APTIV](#) manufacturer:*

Other Similar products are found below :

[003-018-000](#) [60403001](#) [60993906-B](#) [629515004020001](#) [M902-2131](#) [M902-2161](#) [72.330.1035.1](#) [73.353.4028.0](#) [F119300-B](#) [F166900](#)  
[F258300-B](#) [F358300-B](#) [F407400](#) [F444110](#) [F487000](#) [F509500B-B](#) [827153-1](#) [8N1515-32-24P](#) [9-1326729-8](#) [925474-1](#) [928905-1](#) [964562-4](#)  
[968782-1](#) [GT17SA-8DS-HU](#) [98891-1012](#) [98947-1016](#) [12004475-L](#) [12010290](#) [12010309-B](#) [12015454](#) [12020219-B](#) [12020308](#) [12041318-B](#)  
[12052225-L](#) [12052466](#) [12059125](#) [12064869](#) [12004327-B](#) [12010503-B](#) [12015308](#) [12015384](#) [12015909](#) [1-21030-1](#) [12041254](#) [12041318](#)  
[12047946-B](#) [12047957](#) [12047957-L](#) [12059473](#) [12066261](#)