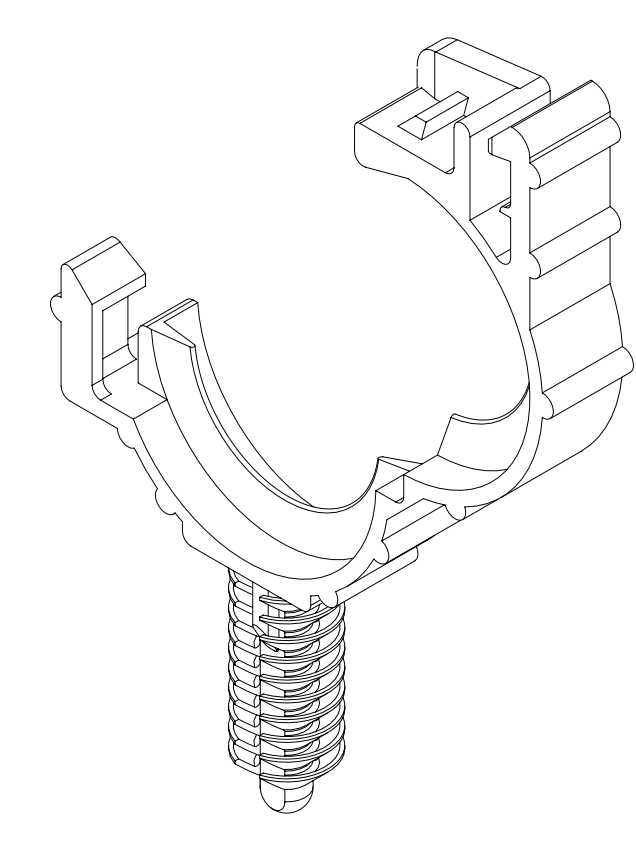
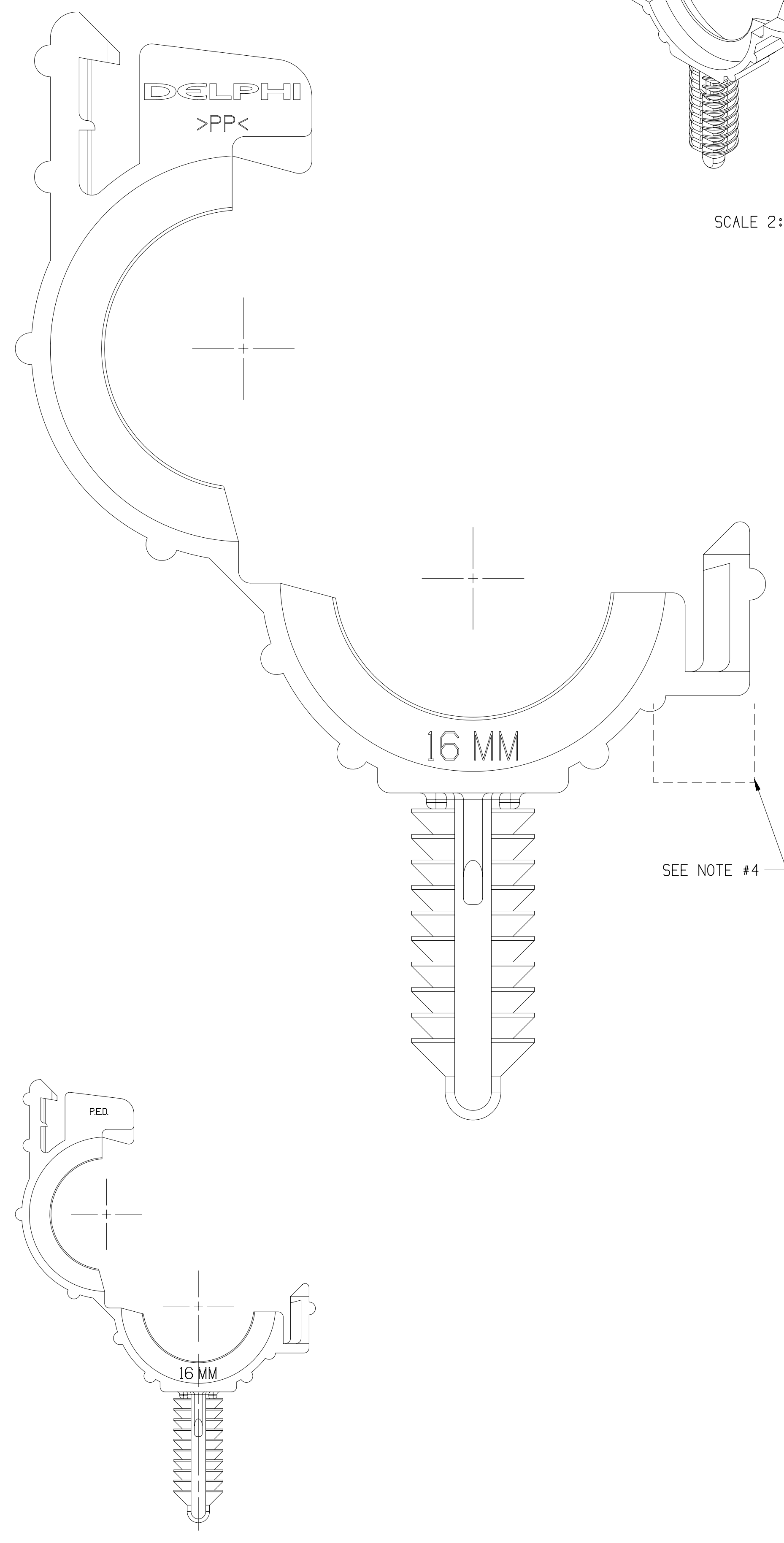
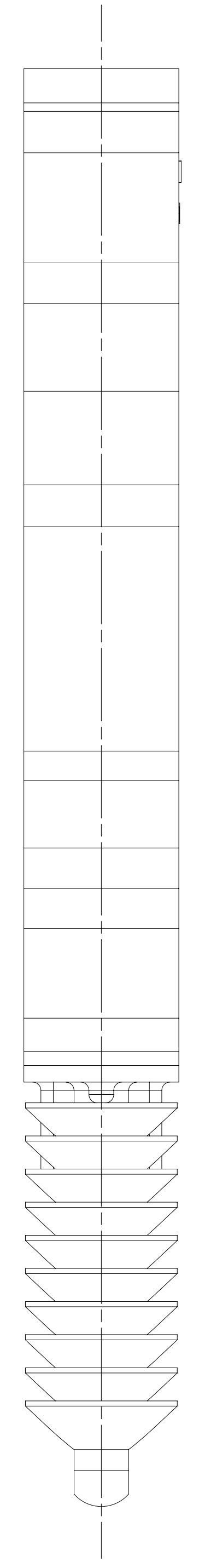
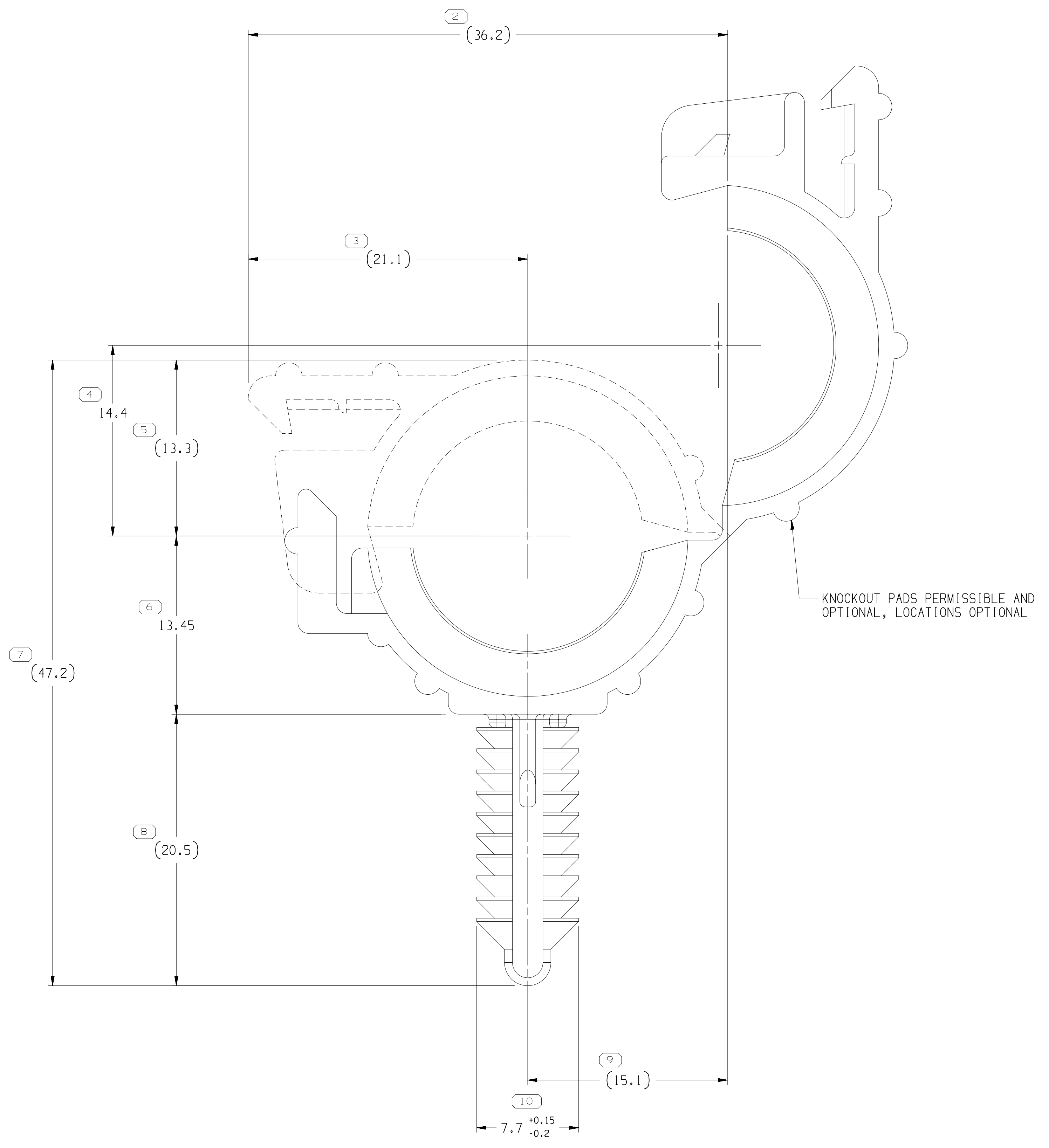
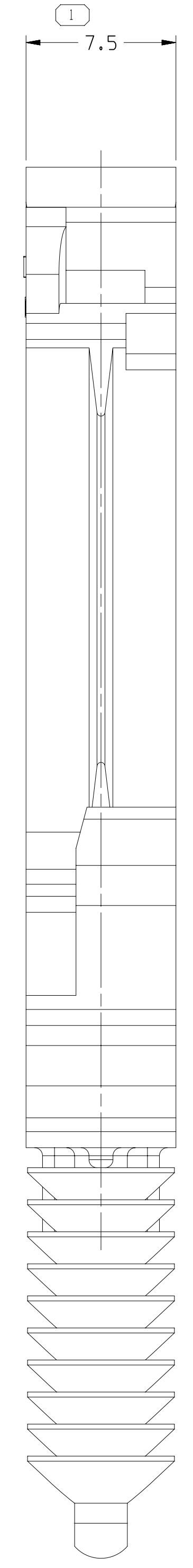
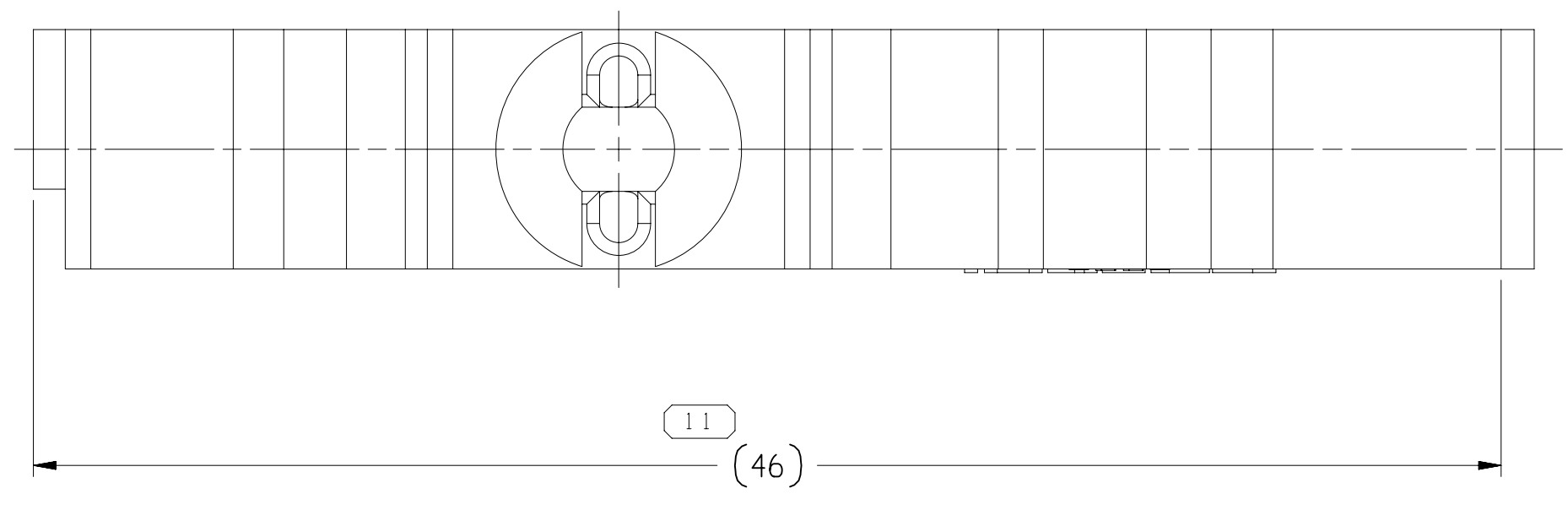


SYMBOL DEFINITION		TOTAL NO OF INSPECTIONS REQUIRED	NO MISSING SYMBOL NUMBER
A DIMENSION WITHOUT AN INSPECTION REPORT SYMBOL DOES NOT REQUIRE INSPECTION. IT MAY BE CONTROLLED ON THE INDIVIDUAL COMPONENT DRAWING.		11	11
LAST NO. USED		11	

DWG STATUS	DATE	STG	REV	N/P	CHG	ZONE	REVISION HISTORY	AUTH	DR	APVD	APVD
	28MY99	R	01	-	-		ALL PARTS - REDRAWN TO PD	990009	PHC	MVA	ET
	12MR01	R	02	-	-		UPDATED PDM ATTRIBUTES	207450	JLJ	JLJ	ET
	20SE01	R	03	-	-		ALL PARTS - ADDED OPTIONAL CONSTRUCTION; ADDED NOTE	214860	TSH	TSH	ET
	03OC02	R	04	-	-		12176B39 - UPDATED PDM ATTRIBUTES	231443	HAM	HAM	FR
	04FE03	R	05	-	-		ALL PARTS - REVISED MAT'L SPEC	236326	RH	RH	ET
	18AU05	R	06	-	-		ALL PARTS - ADDED DRAWING NAME	271160	JTZ	FRG	TP
	09_N06	R	07	-	-		REVISED NOTE 5	281525	MM	MM	ET
	09N018	R	08	-	-		ALL PARTS - UPDATED DESIGN & ENGINEERING CONTROL AND ADDED NOTE	441375	LVD	JAA	RJR



SCALE 2:1



OPTIONAL CONSTRUCTION

SCALE 2:1

NOTES

- UNLESS OTHERWISE SPECIFIED AND/OR INDICATED: DIMENSIONS ARE TO FACE OF VIEW SHOWN AND AUTOMATICALLY ROUNDED BY COMPUTER FOR INSPECTION. (SEE MATH MODEL FOR PRECISE DIMENSIONS.) FOR ALL OTHER DIMENSIONS NOT SHOWN BUT REQUIRED FOR TOOL BUILD, SEE MATH MODEL FOR PRECISE TOOL PATH DATA.
- RECOMMENDED HOLE SIZE FOR CLIP:  $\varnothing 6.675 \pm 0.325$  HOLE IN 12.5 MAX THICK STOCK.
- THIS PART TO ACCEPT 16MM CONDUIT.
- NO PROTRUDING GATES, SHARP EDGES OR PROTRUSIONS ALLOWED IN THIS AREA.
- MATERIAL RECYCLING CODE PER ISO 11469. 10.11(X.0.1) CHARACTERS AS SHOWN TO BE LOCATED ON ANY EXTERIOR SURFACE.
- CORPORATE BRAND TO BE APPLIED TO PRODUCT DESIGN PER THE LATEST REVISION OF ESD S1085201.

PART NO	REV	N/P	MATERIAL SPECIFICATION AND COLOR	VOLUME
15336097	A8	--	POLYPROPYLENE COMPOUND GRAY	2.017
12176B39	B11	--	POLYPROPYLENE COMPOUND BLACK	2.017

DIMENSIONAL RANGE (MM)	TOLERANCE (UNLESS OTHERWISE SPECIFIED)
FROM 0 TO >20	$\pm 0.15$
>20 TO >30	$\pm 0.2$
>30 TO >70	$\pm 0.3$
>70 TO >100	$\pm 0.4$
>100 TO >150	$\pm 0.5$
>150 TO >200	$\pm 0.6$
>200 TO >250	$\pm 0.8$
>250 TO >300	$\pm 1$
>300 TO >400	$\pm 1.2$

PART DRAWING	
STYLE	SEE CHART
VOLUME (CM)	DISTR CODE
	D

**APTIV**  
CONNECTION SYSTEMS  
WARREN, OH  
COPYRIGHT 1997 APTIV, ALL RIGHTS RESERVED.

THIS DRAWING IS THE PROPERTY OF APTIV AND CONTAINS APTIV CONFIDENTIAL INFORMATION. THE REPRODUCTION, DISTRIBUTION AND UTILIZATION OF THIS DOCUMENT OR ITS RELATED CAD DATA, AS WELL AS COMMUNICATION OF ANY CONTENT TO OTHERS, WITHOUT EXPRESS AUTHORIZATION, IS PROHIBITED.

DR	DATE
APVD1 RUBEN ORTIZ	10DE97
APVD2 OSCAR OCHOA	11DE97
APVD3 E. TRACEY	18DE97
APVD4	
APVDS	

SUBSTANCES OF CONCERN AND RECYCLED CONTENT PER APTIV 10949001

MATERIAL: SEC CHART

DRAWING NAME: TAXI MOUN CLIP CDT NA1L

DRAWING NUMBER: 15336148

SIZE: A0  
SCALE: 5:1  
FRAME NO: 1 OF 1  
SHEET NO: 1 OF 1  
STG: R  
REV: 08

THE DESIGN AND ENGINEERING CONTROL OF THIS COMPONENT HAS BEEN TRANSFERRED TO APTIV/HELLERMANN+TYTON

## X-ON Electronics

Largest Supplier of Electrical and Electronic Components

*Click to view similar products for [Automotive Connectors](#) category:*

*Click to view products by [APTIV](#) manufacturer:*

Other Similar products are found below :

[003-018-000](#) [60403001](#) [60993906-B](#) [629515004020001](#) [M902-2131](#) [M902-2161](#) [72.330.1035.1](#) [73.353.4028.0](#) [F119300-B](#) [F166900](#)  
[F258300-B](#) [F358300-B](#) [F407400](#) [F444110](#) [F487000](#) [F509500B-B](#) [827153-1](#) [8N1515-32-24P](#) [9-1326729-8](#) [925474-1](#) [928905-1](#) [964562-4](#)  
[968782-1](#) [GT17SA-8DS-HU](#) [98891-1012](#) [98947-1016](#) [12004475-L](#) [12010290](#) [12010309-B](#) [12015454](#) [12020219-B](#) [12020308](#) [12041318-B](#)  
[12052225-L](#) [12052466](#) [12059125](#) [12064869](#) [12004327-B](#) [12010503-B](#) [12015308](#) [12015384](#) [12015909](#) [1-21030-1](#) [12041254](#) [12041318](#)  
[12047946-B](#) [12047957](#) [12047957-L](#) [12059473](#) [12066261](#)