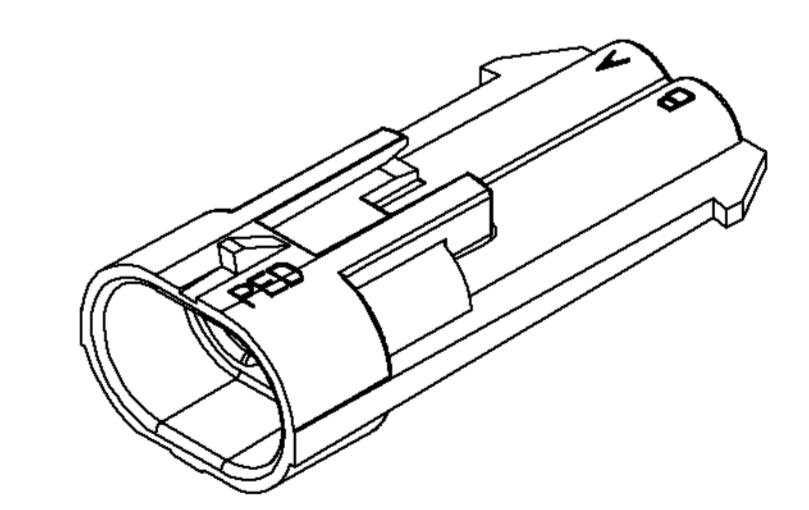
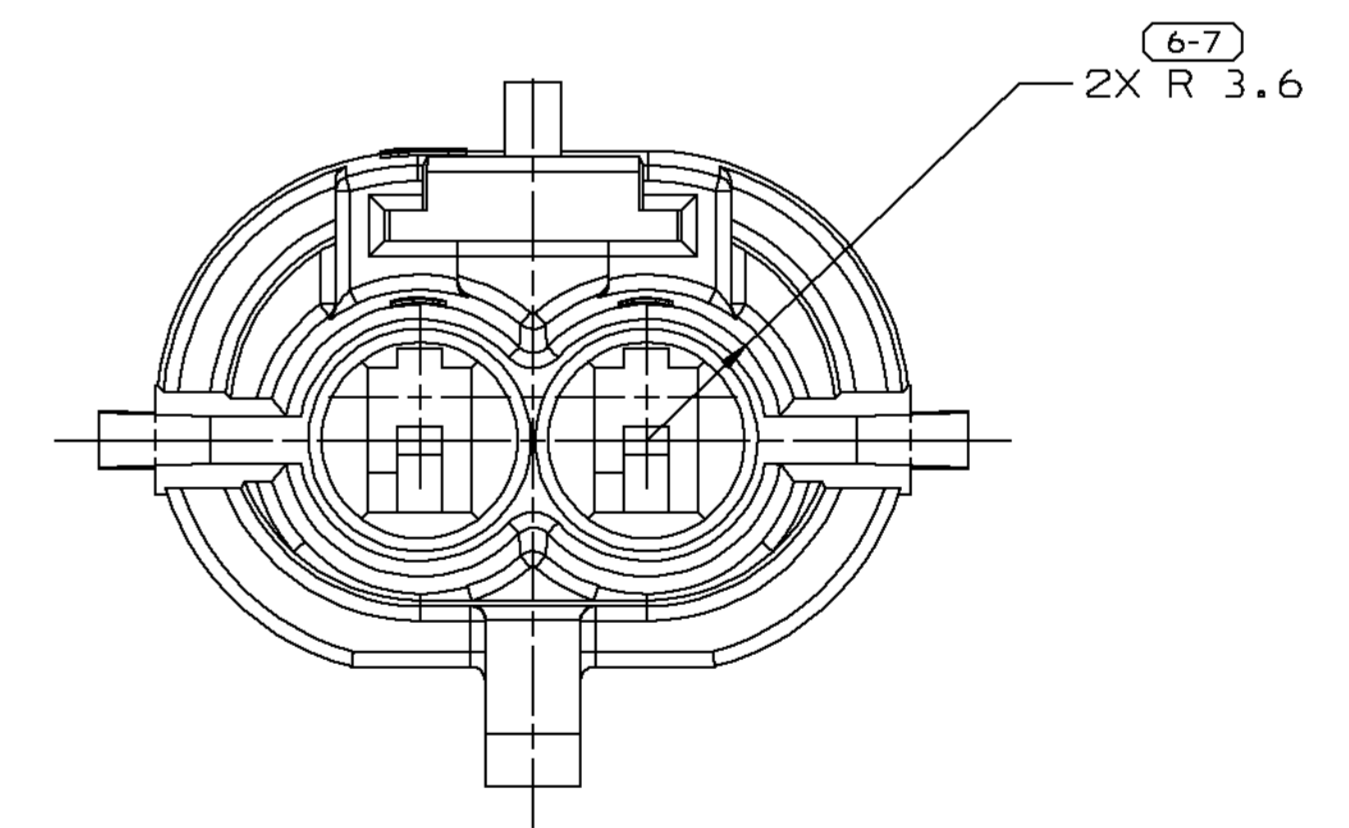
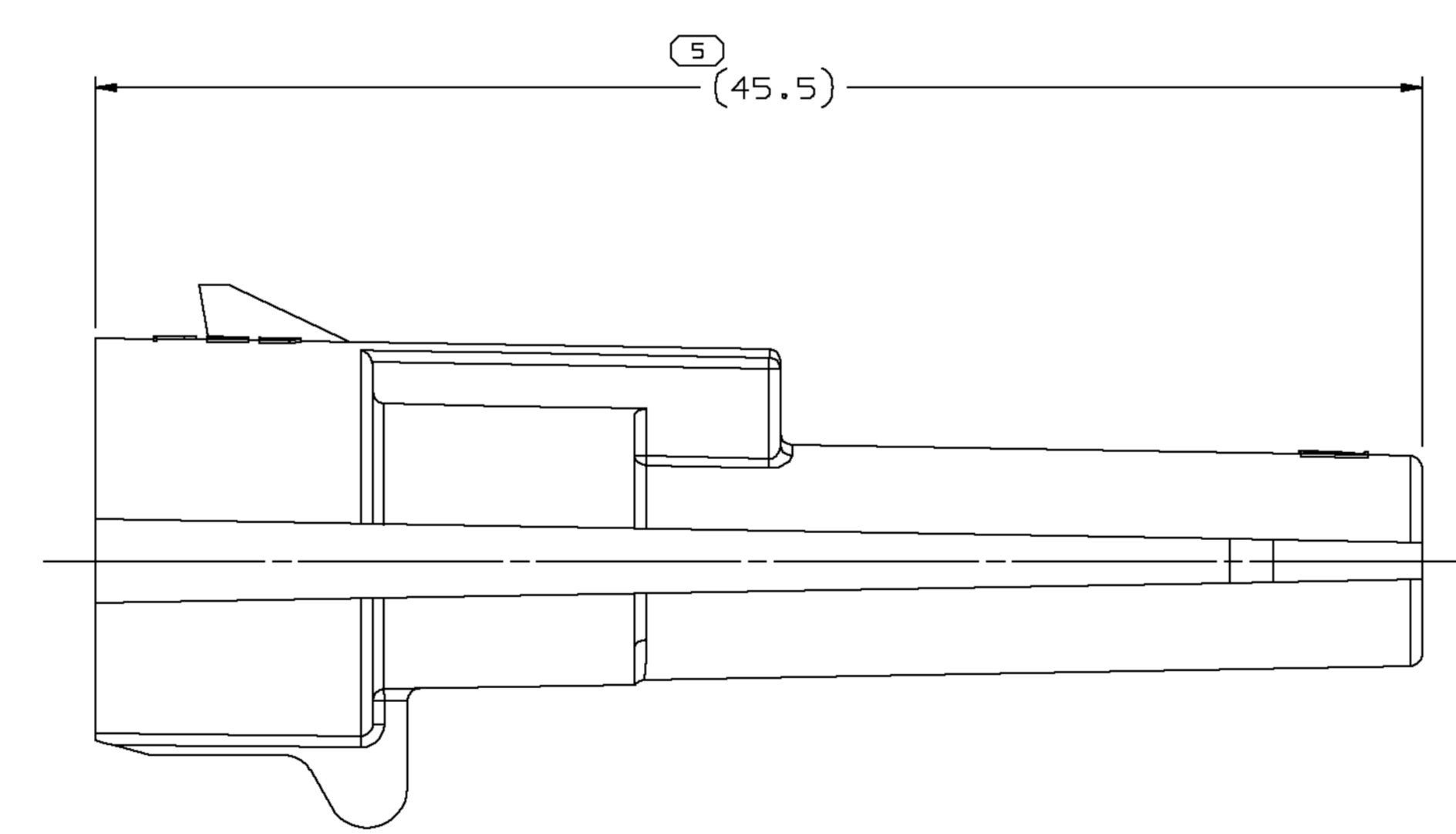
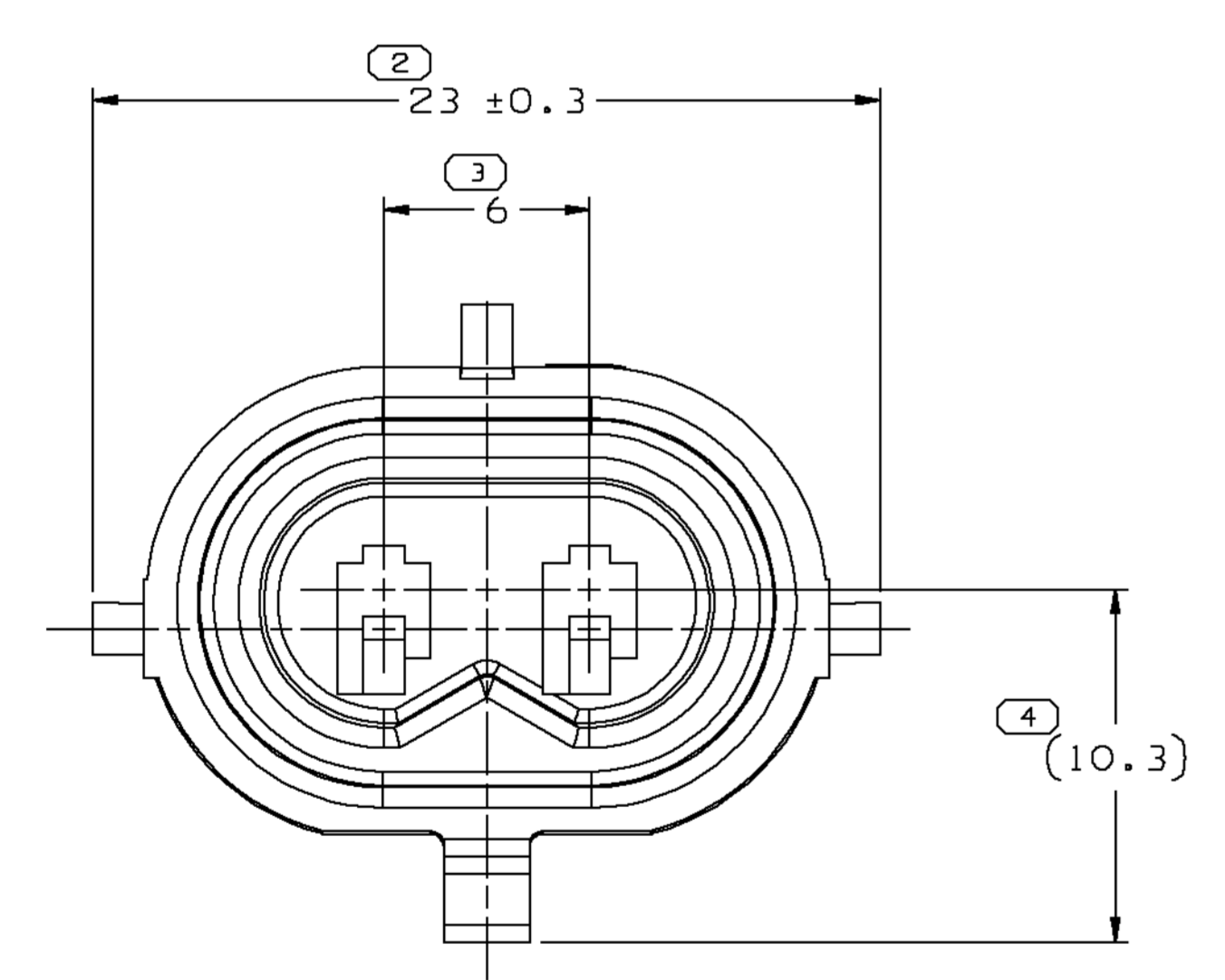
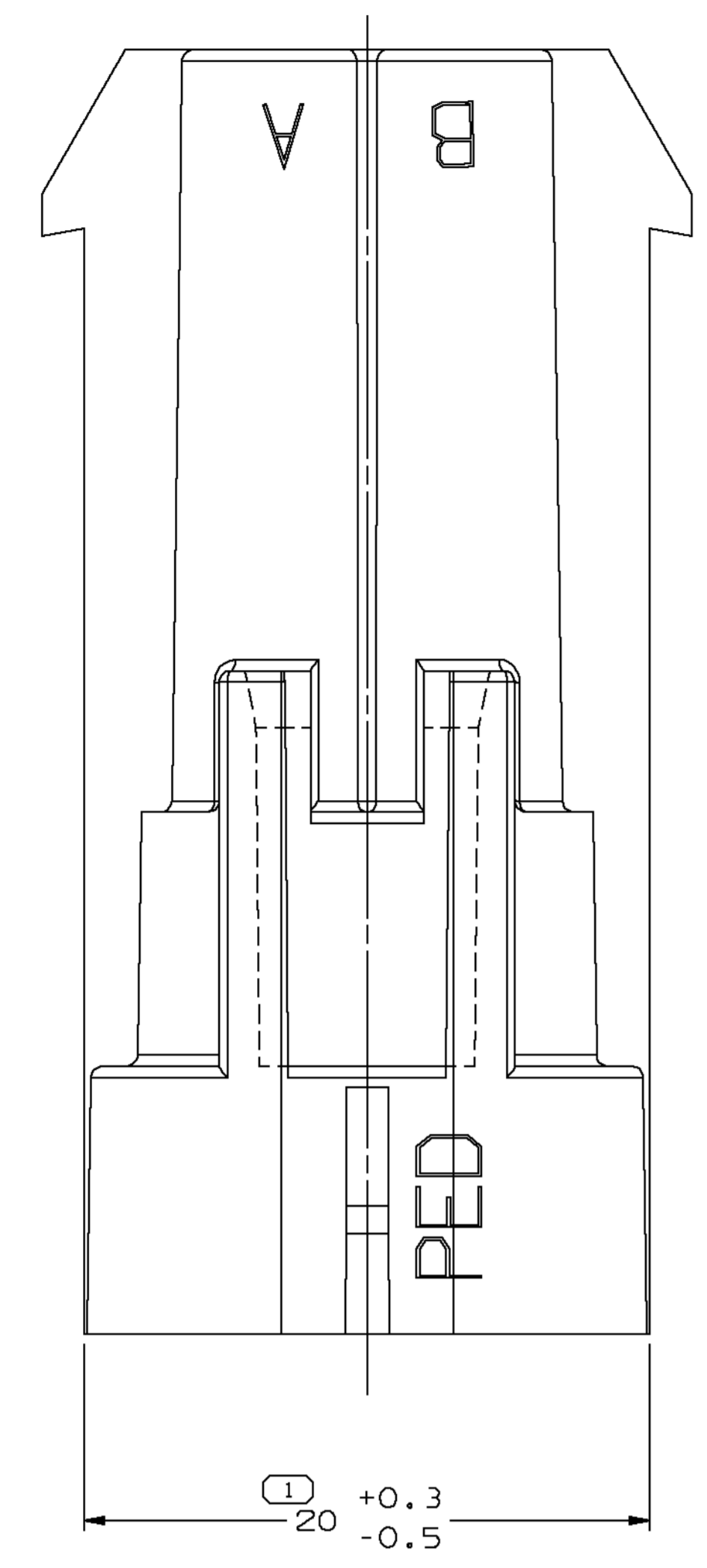


SYMBOL DEFINITION		MISSING NUMBERS		DATE	SYM	REVISION RECORD	AUTH	DR	CK
THE NUMBER INSIDE THE SYMBOL CORRESPONDS TO THE NUMBER ON THE INSPECTION REPORT FOR THIS DRAWING/PART NUMBER	TOTAL NO. OF SYMBOLS ON DRAWING	6		27SE00	B1	CLEARED REV COLUMN & REDRAWN TO PD			22733BFMC001
	LAST NO. USED	7		27SE00	B2	UPDATED PDM ATTRIBUTES			20232BFMC001



VIEW SCALE DOES NOT REFLECT ACTUAL PART SIZE

NOTES

- UNLESS OTHERWISE SPECIFIED AND/OR INDICATED: DIMENSIONS ARE TO FACE OF VIEW SHOWN AND AUTOMATICALLY ROUNDED BY COMPUTER FOR INSPECTION (SEE MATH MODEL FOR PRECISE DIMENSIONS). FOR ALL OTHER DIMENSIONS NOT SHOWN BUT REQUIRED FOR TOOL BUILD, SEE MATH MODEL FOR PRECISE TOOL PATH DATA.
- MATING COMPONENTS OR EQUIVALENT: CONNECTOR AND SEAL ASSEMBLY 12052641
- THIS PART ACCEPTS THE FOLLOWING COMPONENTS OR EQUIVALENT: TERMINAL 12045773, SECONDARY TERMINAL LOCK 12052634, CABLE SEAL 12048086
- MAXIMUM CABLE DIAMETER FOR THIS PART IS 2.8 MM.

PART NO 12177071

PART NO 12177071

PART DRAWING		THIRD ANGLE PROJECTION													
CODE NO 6900	QC	METRIC DIMENSIONS ARE IN MILLIMETERS UNLESS OTHERWISE SPECIFIED													
DWG DATE 25AP95	SCALE 5:1	DES DR HENRY HOKE 25AP95 CK HENRY HOKE 25AP95 APP'D. NAVARRO 29SE00 VOL. CW 3.521													
REFERENCE NO 001,701	MATERIAL SPEC R0071786 PA66 HS 1M-RED	NAME CONN 2M M/P 150													
<p>(2) PROCESS SENSITIVE DIMENSION</p> <p>DIMENSIONS ENCLOSED IN () INDICATE REFERENCE DIMENSIONS AND NO TOLERANCE LIMITS ARE ESTABLISHED.</p> <table border="1"> <thead> <tr> <th>DIMENSIONAL RANGE</th> <th>TOLERANCE UNLESS OTHERWISE SPECIFIED</th> </tr> </thead> <tbody> <tr> <td>FROM 0 TO > 20</td> <td>± 0.15</td> </tr> <tr> <td>> 20 TO > 30</td> <td>± 0.2</td> </tr> <tr> <td>> 30 TO > 70</td> <td>± 0.3</td> </tr> <tr> <td>> 70 TO > 100</td> <td>± 0.4</td> </tr> <tr> <td>> 100</td> <td>± 0.5</td> </tr> </tbody> </table> <p>ANGULAR TOLERANCE ± 2'</p>		DIMENSIONAL RANGE	TOLERANCE UNLESS OTHERWISE SPECIFIED	FROM 0 TO > 20	± 0.15	> 20 TO > 30	± 0.2	> 30 TO > 70	± 0.3	> 70 TO > 100	± 0.4	> 100	± 0.5	PART NUMBER 12177071	SIZE AO
DIMENSIONAL RANGE	TOLERANCE UNLESS OTHERWISE SPECIFIED														
FROM 0 TO > 20	± 0.15														
> 20 TO > 30	± 0.2														
> 30 TO > 70	± 0.3														
> 70 TO > 100	± 0.4														
> 100	± 0.5														

X-ON Electronics

Largest Supplier of Electrical and Electronic Components

Click to view similar products for [Automotive Connectors](#) category:

Click to view products by [APTIV](#) manufacturer:

Other Similar products are found below :

[003-018-000](#) [60403001](#) [60993906-B](#) [629515004020001](#) [M902-2131](#) [M902-2161](#) [72.330.1035.1](#) [73.353.4028.0](#) [F119300-B](#) [F166900](#)
[F258300-B](#) [F358300-B](#) [F407400](#) [F444110](#) [F487000](#) [F509500B-B](#) [827153-1](#) [8N1515-32-24P](#) [9-1326729-8](#) [925474-1](#) [928905-1](#) [964562-4](#)
[968782-1](#) [GT17SA-8DS-HU](#) [98891-1012](#) [98947-1016](#) [12004475-L](#) [12010290](#) [12010309-B](#) [12015454](#) [12020219-B](#) [12020308](#) [12041318-B](#)
[12052225-L](#) [12052466](#) [12059125](#) [12064869](#) [12004327-B](#) [12010503-B](#) [12015308](#) [12015384](#) [12015909](#) [1-21030-1](#) [12041254](#) [12041318](#)
[12047946-B](#) [12047957](#) [12047957-L](#) [12059473](#) [12066261](#)