

SYMBOL DEFINITION		MISSING NUMBERS	
A DIMENSION WITHOUT AN INSPECTION REPORT SYMBOL DOES NOT REQUIRE INSPECTION. IT MAY BE CONTROLLED ON AN INDIVIDUAL COMPONENT DRAWING.	TOTAL NO. OF SYMBOLS ON DRAWING	4B	
	LAST NO. USED	13B	

DWG STATUS						REVISION HISTORY						AUTH			APVD			
DATE	STG	REV	W/P	CHKD	ZONE	DATE	REV	BY	REASON	DATE	REV	BY	REASON	DATE	REV	BY	REASON	
17AP03	R	F2	-	-	-													

- NOTES
- MUST BE FREE OF CRACKS AND TOOL MARKS THAT EXPOSE BASE MATERIAL FOR DISTANCE SHOWN WITH *.
 - MATING TERMINAL - PACKARD ELECTRIC MICROPACK 100 (3MM) SERIES.

MATERIAL SPECIFICATIONS

RECOMMENDED

BASE METAL - CDA-260 BRASS - 1/2 HARD

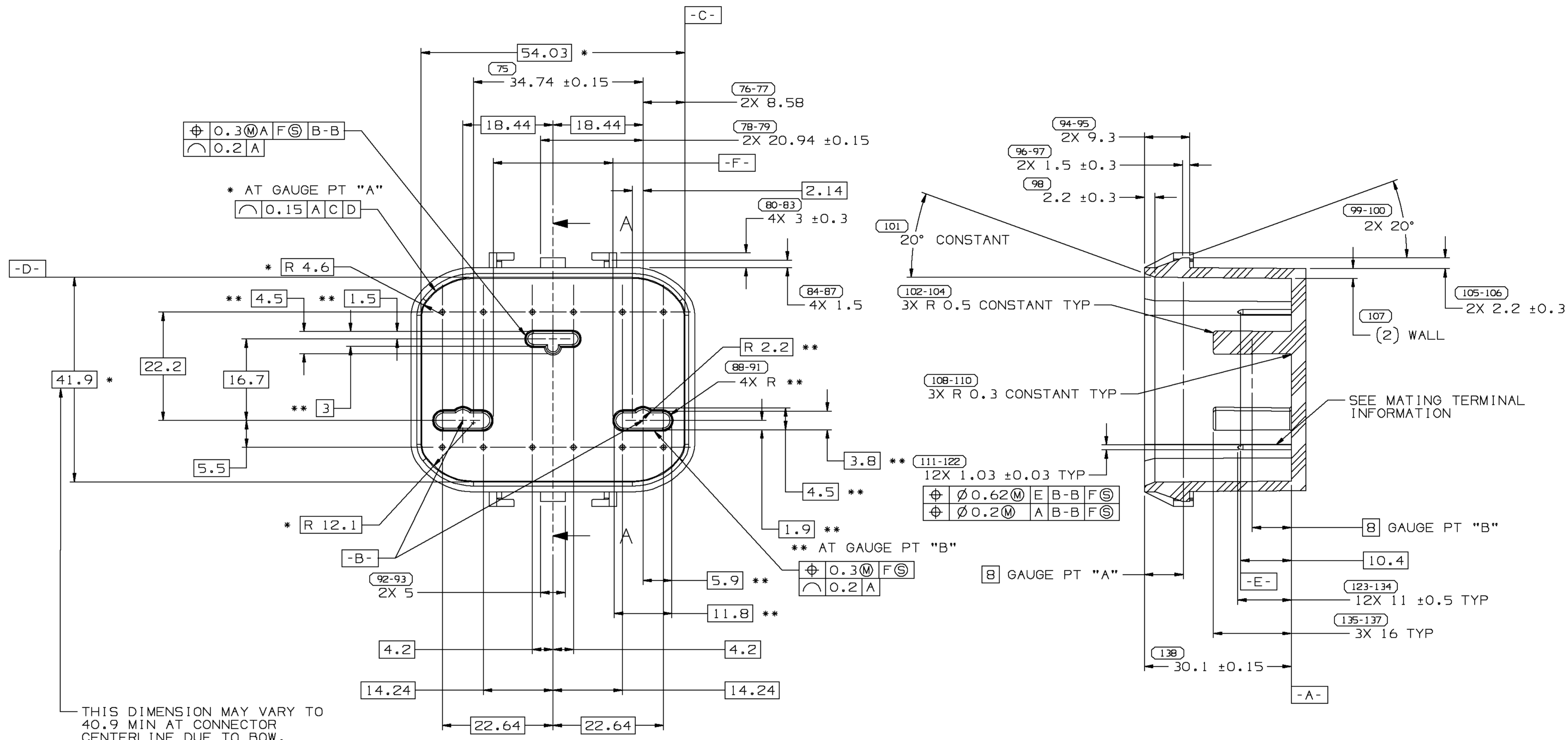
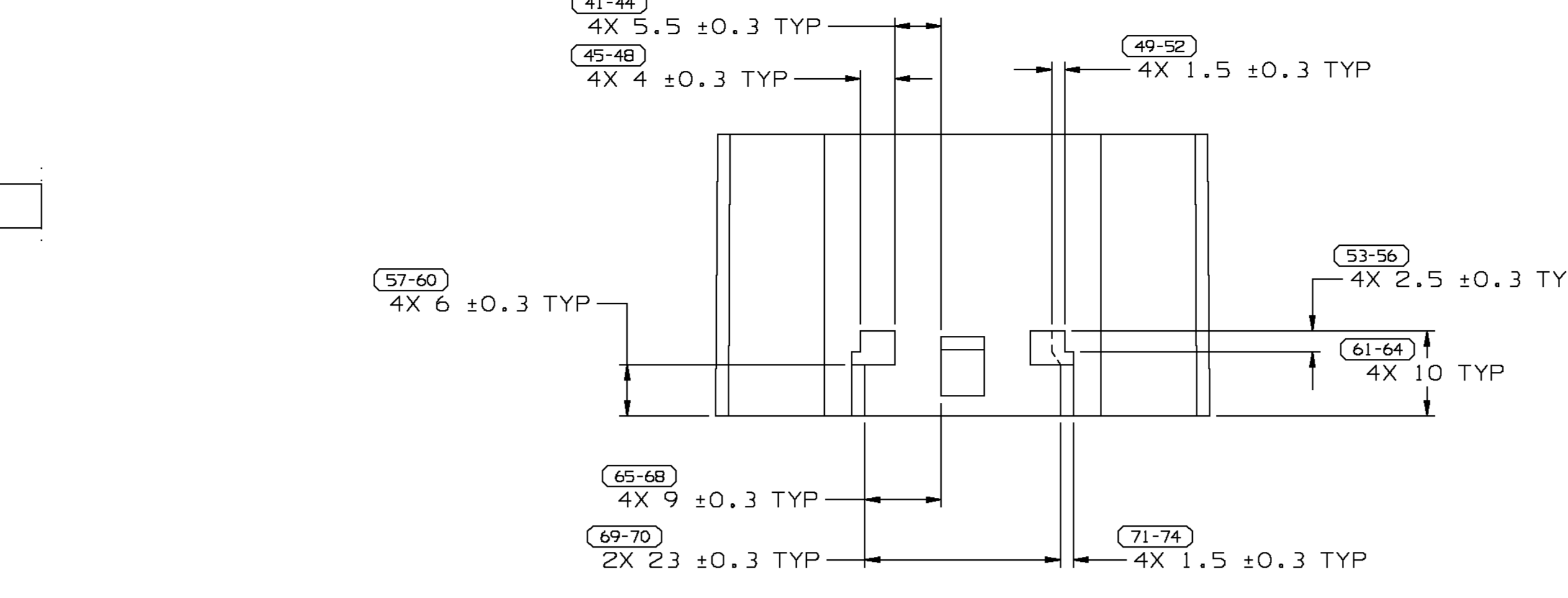
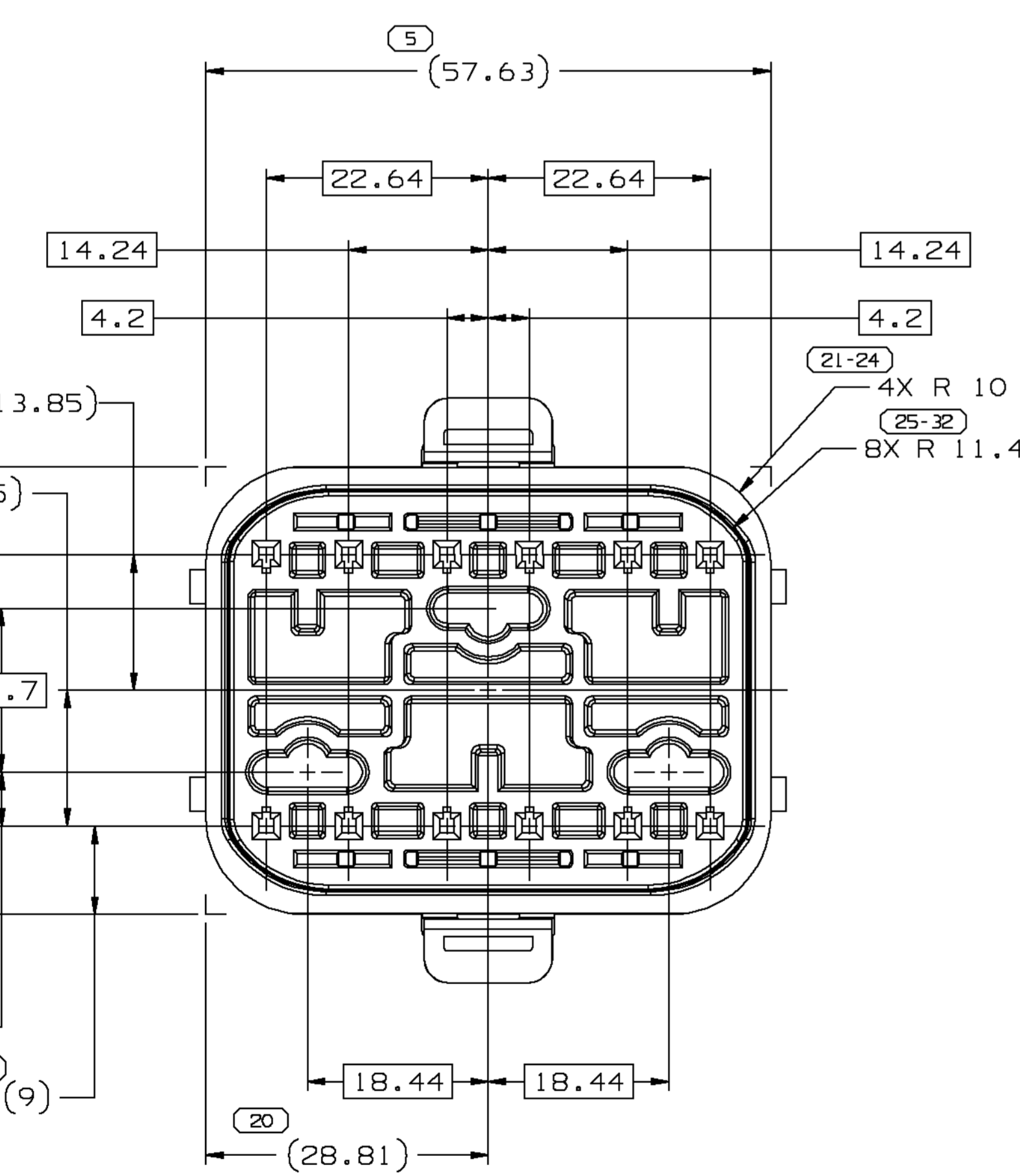
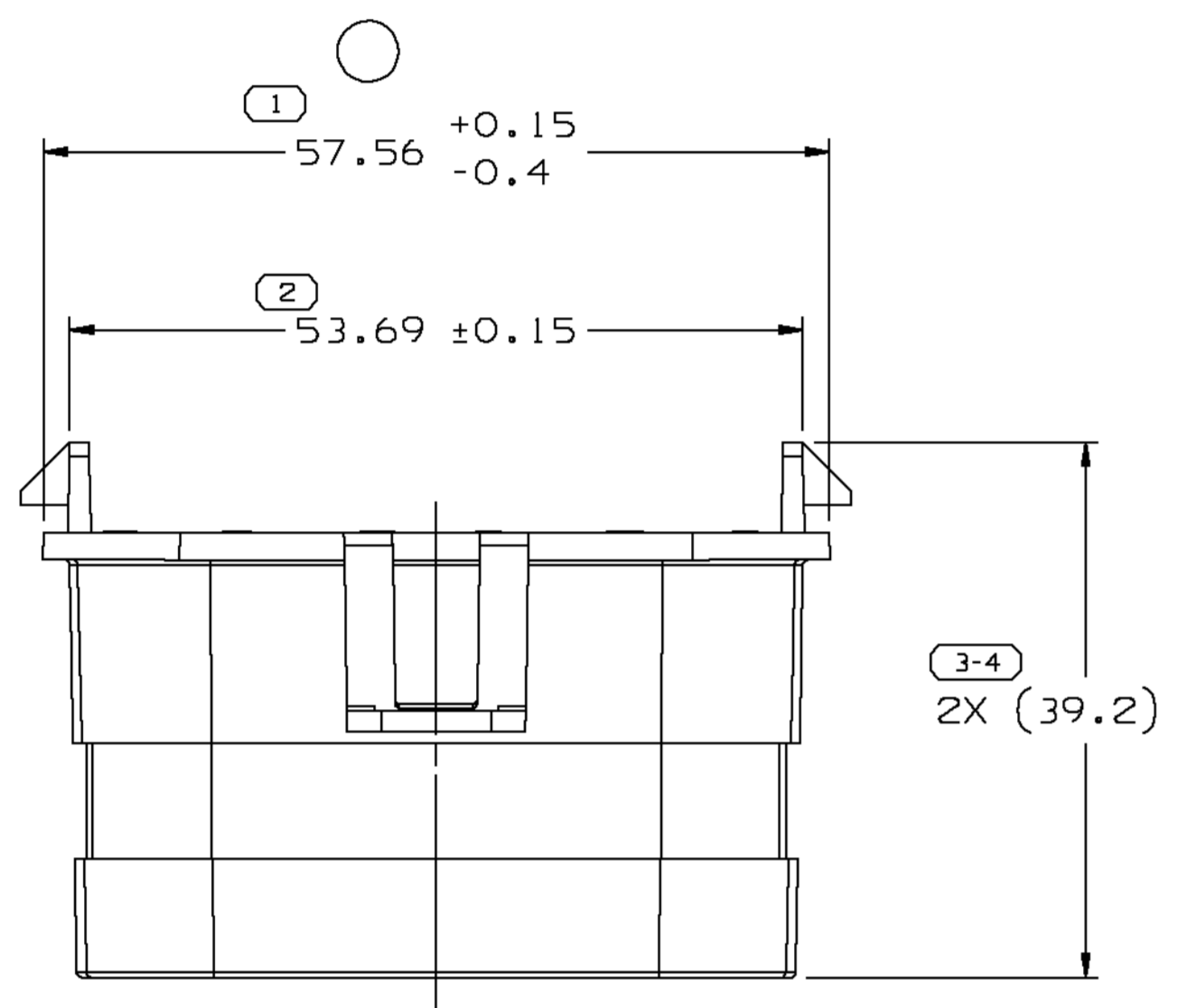
PLATING - UNDERPLATING - COPPER PER MIL-C- 14550 0.003MM (100 MICROINCH) MIN THICK OVERALL OR NICKEL PER QQ-N-290 0.0013MM (50 MICROINCH) MIN THICK OVERALL.

SURFACE PLATING - BRIGHT TIN PER MIL-T-10727 0.003MM (100 MICROINCH) MIN THICK OVERALL.

MINIMUMS

USE OF MATERIAL WITH ELECTRICAL CONDUCTIVITY < 20% IACS MUST BE APPROVED BY PACKARD ELECTRIC MATERIALS ENGINEERING.

MATING TERMINAL INFORMATION

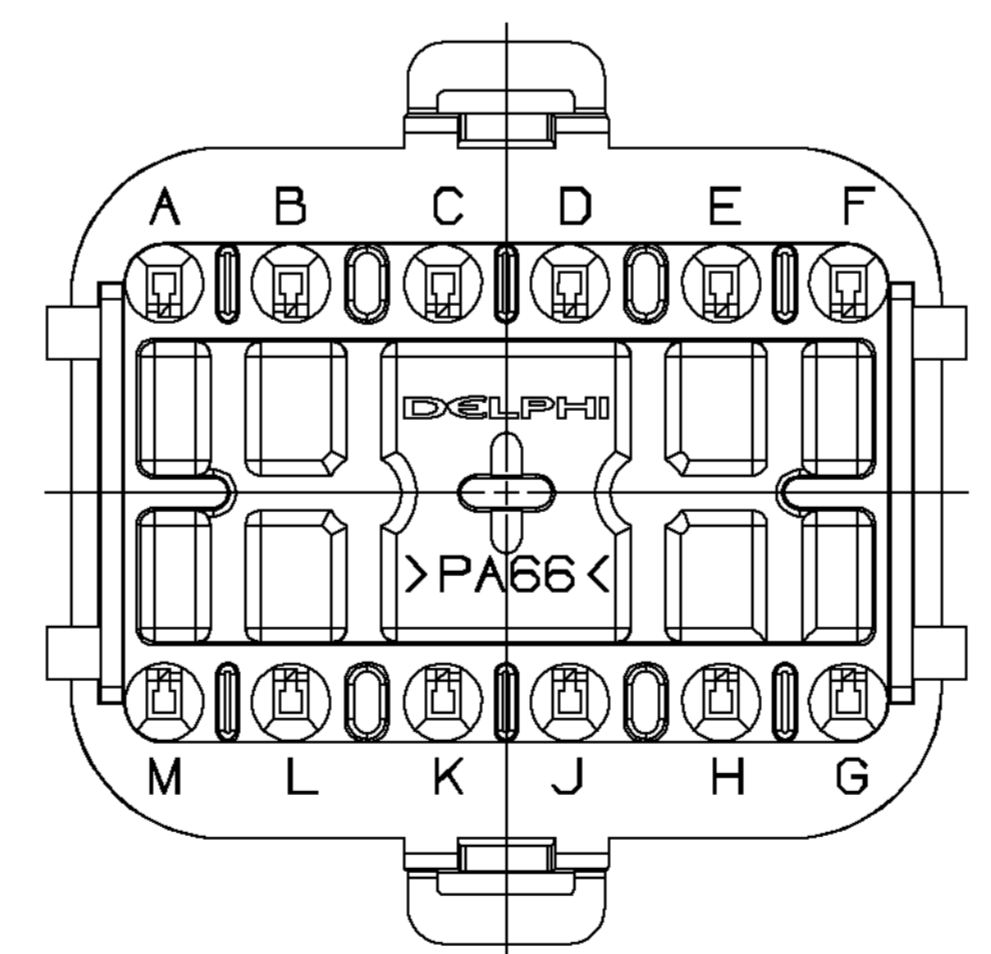


THIS DIMENSION MAY VARY TO 40.9 MIN AT CONNECTOR CENTERLINE DUE TO BOW.

- NOTES
- RECOMMENDED MATERIAL: PA66
 - WHEN USING THIS INFORMATION FOR A NEW DESIGN, REQUEST THE LATEST COPY OF THIS DRAWING FROM PACKARD ELECTRIC DIVISION.

MATING PART INFORMATION

INSPECTION SYMBOLS SHOWN IN THESE VIEWS ARE FOR REFERENCE ONLY.



- NOTES
- UNLESS OTHERWISE SPECIFIED AND/OR INDICATED: DIMENSIONS ARE TO FACE OF VIEW SHOWN AND AUTOMATICALLY ROUNDED BY COMPUTER FOR INSPECTION. (SEE MATH MODEL FOR PRECISE DIMENSIONS.) FOR ALL OTHER DIMENSIONS NOT SHOWN BUT REQUIRED FOR TOOL BUILD, SEE MATH MODEL FOR PRECISE TOOL PATH DATA.
 - MATING COMPONENTS OR EQUIVALENT: DELPHI E & EM SCPI FUEL METER BODY 17091628 TERMINAL 12048327 SECONDARY TERMINAL LOCK TWO 12177076 TPA'S CONNECTOR SEAL LOWER CONNECTOR SEAL 12160684 UPPER CONNECTOR SEAL 12177085 CABLE SEAL 12089678 CONNECTOR POSITION ASSURANCE LOCK 12160693 WIRE DRESS 12177084
 - THIS PART IS NOT CONTROLLED FOR AUTOMATIC FEEDING.
 - (2.3)X(0.1) RAISED DELPHI CORPORATE BRAND TO BE LOCATED ON ANY EXTERIOR SURFACE, PREFERABLY VISIBLE AT FINAL ASSEMBLY. OPTIONAL CONSTRUCTION TO BE "PED" OR NO LOGO.
 - MATERIAL RECYCLING CODE >PA66< PER SAE J1344. (2.3)X(0.1) RAISED CHARACTERS AS SHOWN TO BE LOCATED ON ANY EXTERIOR SURFACE. OPTIONAL CONSTRUCTION TO BE NO MATERIAL RECYCLING CODE.

FROM	TO	DIMENSIONAL RANGE (MM)	TOLERANCE UNLESS OTHERWISE SPECIFIED	CHART ET
0	20	> 0	± 0.1	1
20	30	> 20	± 0.15	2
30	70	> 30	± 0.2	3
70	100	> 70	± 0.3	4
100	150	> 100	± 0.4	5
150	200	> 150	± 0.5	6
200	250	> 200	± 0.6	7
250	300	> 250	± 0.8	8
300	400	> 300	± 1.0	9

DWG TYPE		PART DRAWING	
STYLE	33.354	DISTR CODE	D
VOLUME (COP)	6900		
ROUTING			

DELPHI

DELPHI PACKARD ELECTRIC SYSTEMS
WARREN, OH

OR	DATE
A. LASES	28AP95
A. LASES	28AP95
MANUEL VEGA	02MY95

UNLESS OTHERWISE SPECIFIED THIS DOCUMENT IS IN ACCORDANCE WITH ASME Y14.5M-1994 AS AMENDED BY THE 2003 DIMENSIONING AND TOLERANCING ADDENDUM - 1997. ALL DIMENSIONS ARE TO UNLESS OTHERWISE SPECIFIED. DIMENSIONS ARE IN MILLIMETERS. UNLESS OTHERWISE SPECIFIED, DIMENSIONS ARE TO FACE OF VIEW SHOWN AND AUTOMATICALLY ROUNDED BY COMPUTER FOR INSPECTION. (SEE MATH MODEL FOR PRECISE DIMENSIONS.) FOR ALL OTHER DIMENSIONS NOT SHOWN BUT REQUIRED FOR TOOL BUILD, SEE MATH MODEL FOR PRECISE TOOL PATH DATA.

INSPECTION SYMBOLS SHOWN IN THESE VIEWS ARE FOR REFERENCE ONLY.

ALL DIMENSIONS ARE IN MILLIMETERS.

REFERENCE: 001, 701

THIRD ANGLE PROJECTION

DO NOT SCALE

USE MATH DATA

UNIGRAPHICS

DRAWING NAME: CONN 12F MIC/P 100

DRAWING NUMBER: 12177083

SHEET NO: 1 OF 1

DATE: 17AP03

REV: F2

X-ON Electronics

Largest Supplier of Electrical and Electronic Components

Click to view similar products for [Automotive Connectors](#) category:

Click to view products by [APTIV](#) manufacturer:

Other Similar products are found below :

[003-018-000](#) [60403001](#) [60993906-B](#) [629515004020001](#) [M902-2131](#) [M902-2161](#) [72.330.1035.1](#) [73.353.4028.0](#) [F119300-B](#) [F166900](#)
[F258300-B](#) [F358300-B](#) [F407400](#) [F444110](#) [F487000](#) [F509500B-B](#) [827153-1](#) [8N1515-32-24P](#) [9-1326729-8](#) [925474-1](#) [928905-1](#) [964562-4](#)
[968782-1](#) [GT17SA-8DS-HU](#) [98891-1012](#) [98947-1016](#) [12004475-L](#) [12010290](#) [12010309-B](#) [12015454](#) [12020219-B](#) [12020308](#) [12041318-B](#)
[12052225-L](#) [12052466](#) [12059125](#) [12064869](#) [12004327-B](#) [12010503-B](#) [12015308](#) [12015384](#) [12015909](#) [1-21030-1](#) [12041254](#) [12041318](#)
[12047946-B](#) [12047957](#) [12047957-L](#) [12059473](#) [12066261](#)