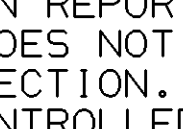
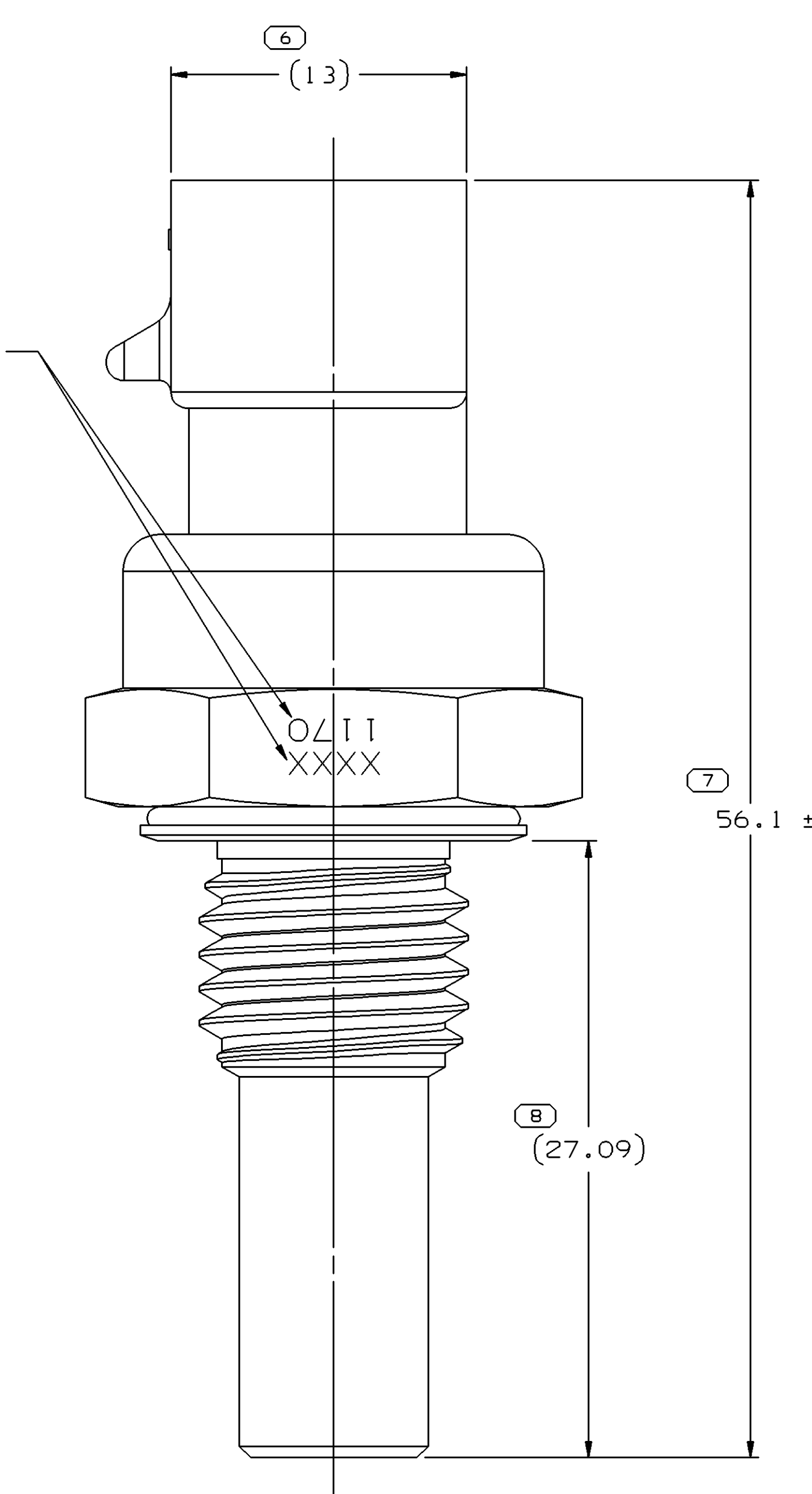
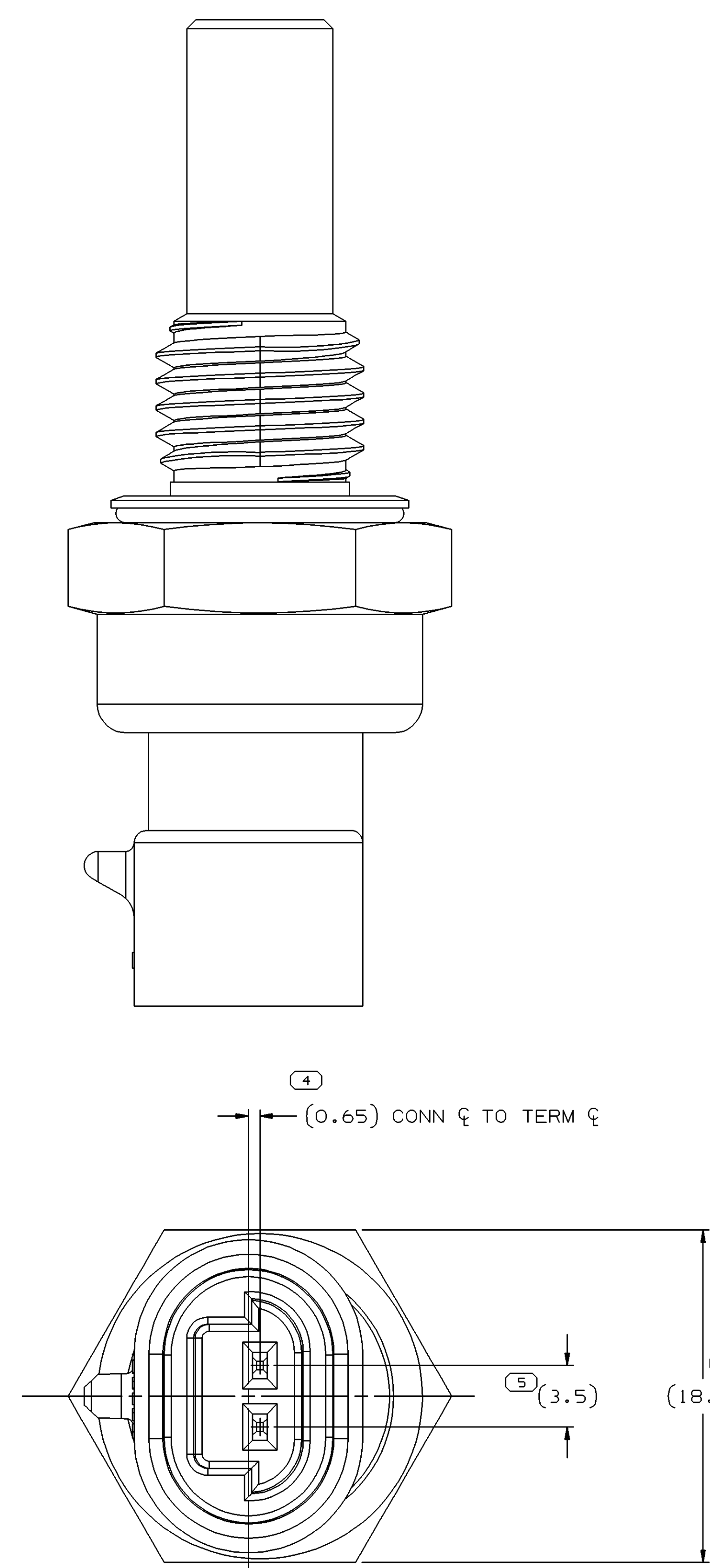
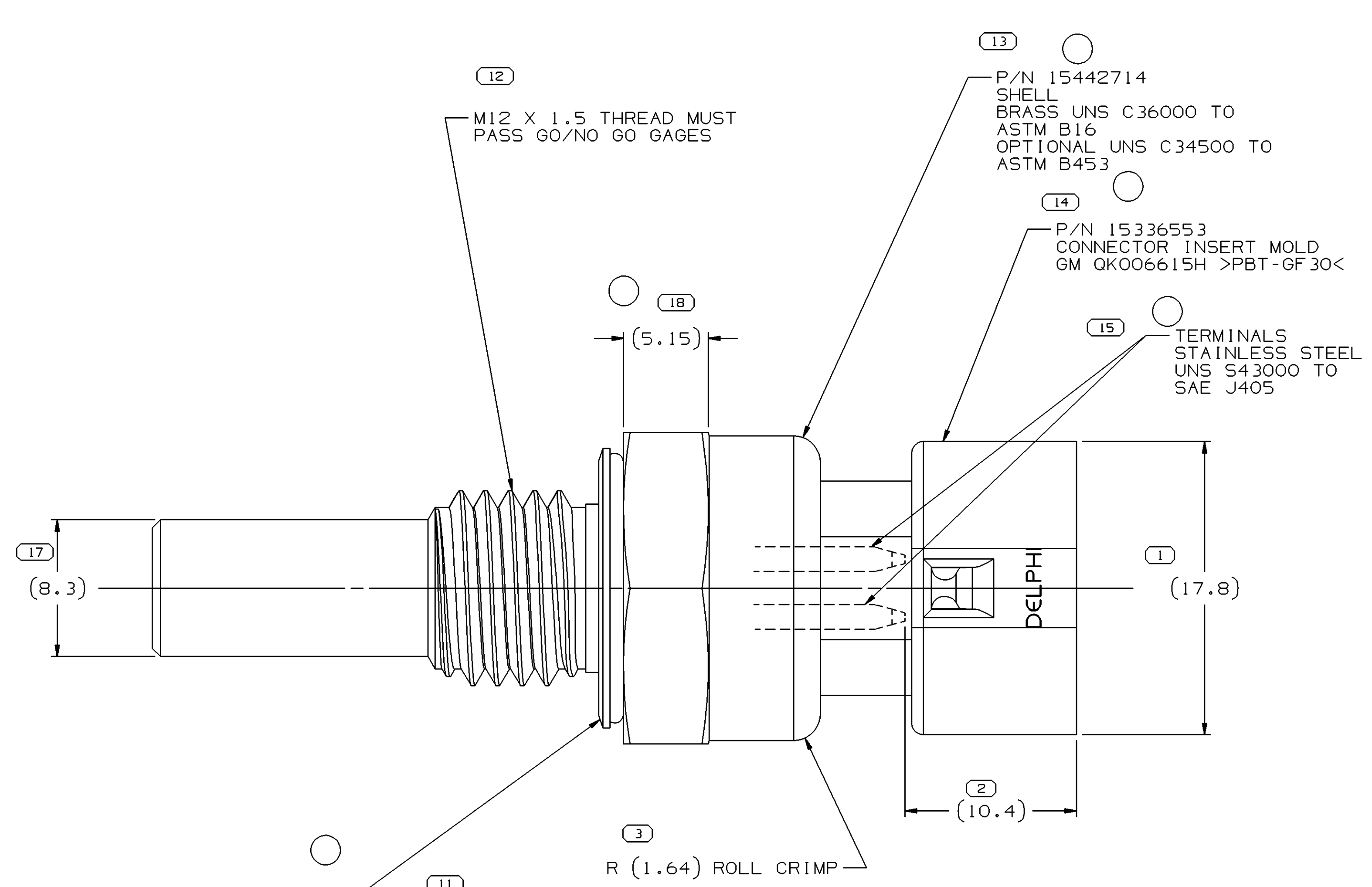


SYMBOL DEFINITION		MISSING NUMBERS	
A DIMENSION WITHOUT AN INSPECTION REPORT SYMBOL  DOES NOT REQUIRE INSPECTION. IT MAY BE CONTROLLED ON AN INDIVIDUAL COMPONENT DRAWING.	TOTAL NO. OF SYMBOLS ON DRAWING	17	16.
	LAST NO. USED	18	

DWO STATUS					REVISION HISTORY					AUTH	DR	APVD	APVD	
DATE	STG	REV	N/P	CHG	ZONE									
09JUL99	R	03	-	-		CLEARED REV COLUMN & REVISED GRAPHICS					195170	REV	FKV	SH
16JUL03	R	04	-	-		REVISED PARTS-REF GM WO FOP 130638 SAE BRASS SHELL MATERIAL WAS UNS C34500					243458	MAC	MAC	TE



11 15304816 SEALING WASHER COPPER UNS C11000 TEMPER 060 TO ASTM B152

12 M12 X 1.5 THREAD MUST PASS GO/NO GO GAGES

13 P/N 15442714 SHELL BRASS UNS C36000 TO ASTM B16 OPTIONAL UNS C34500 TO ASTM B453

14 P/N 15336553 CONNECTOR INSERT MOLD GM QK006615H >PBT-6F30<

15 TERMINALS STAINLESS STEEL UNS S43000 TO SAE J405

17 (8.3)

18 (5.15)

1 (17.8)

2 (10.4)

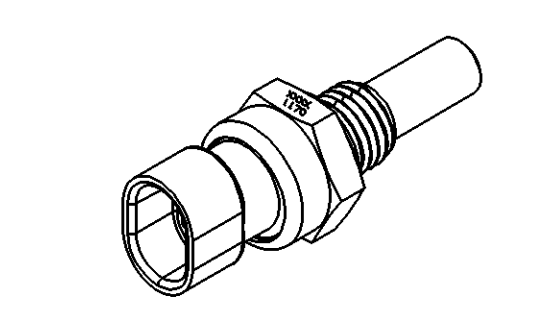
3 R (1.64) ROLL CRIMP

9 JULIAN DAY, YEAR, AND LAST 4 DIGITS OF PART NUMBER MUST BE LEGIBLE ON ANY HEX SURFACE.

150	47.5	2.90	1.2
140	60.3	2.87	1.2
130	77.5	2.80	1.1
120	100.9	2.68	1.0
110	133.1	2.52	0.9
100	178.0	2.31	0.8
90	241.8	2.10	0.7
80	334	2.04	0.6
70	469	2.11	0.6
60	671	2.19	0.6
50	980	2.27	0.6
40	1,465	2.36	0.6
30	2,240	2.45	0.6
25	2,795	2.50	0.6
20	3,511	2.64	0.6
10	5,658	2.92	0.6
0	9,399	3.21	0.6
-10	16,120	3.60	0.6
-20	28,582	4.00	0.7
-30	52,594	4.43	0.7
-40	100,865	4.87	0.7

TEMPERATURE (°C)	NO LOAD RESISTANCE (OHMS)	TEMPERATURE (°C)	RESISTANCE (OHMS)	RESISTANCE (±%)	TEMPERATURE ACCURACY (±°C)
128	82.67±2.067Ω (REF)				

- NOTES
- UNLESS OTHERWISE SPECIFIED AND/OR INDICATED: DIMENSIONS ARE TO FACE OF VIEW SHOWN AND AUTOMATICALLY ROUNDED BY COMPUTER FOR INSPECTION. (SEE MATH MODEL FOR PRECISE DIMENSION). FOR ALL OTHER DIMENSIONS NOT SHOWN BUT REQUIRED FOR TOOL BUILD, SEE MATH MODEL FOR PRECISE TOOL PATH DATA.
 - MATING COMPONENTS: CONNECTOR ASM - 12162193 METRIPAK CONNECTOR OR 15449028 GT CONNECTOR OR EQUIVALENT
 - SENSOR MUST BE HAND STARTED INTO MATING THREADED HOLE (M12 X 1.5 INTERNAL THREAD)
 - SEALING CODE 3
DESIGN WILL PASS SALT FOG AND IMMERSION TEST AFTER CONDITIONING AS SPECIFIED IN ESA-644 (WEATHER-PACK), ESA-710 (METRI-PACK), ESA-650 (UNDERHOOD MICRO-PACK), C-4006 (WORLD CONNECTOR), ETC. - WHEN MATED TO MATING PART OR EQUIVALENT
 - REPORTABLE AND RESTRICTED SUBSTANCE PER GMW 3059
 - MASS OF CTS IS 24.5 GRAMS.
 - JULIAN YEAR IS LAST DIGIT OF CURRENT YEAR. (OPTIONAL: LAST 2 DIGITS)



DWO TYPE		PART DRAWING	
STYLE		DISTR CODE	D
VOLUME (CM³)			
ROUTING	6900		
UNLESS OTHERWISE SPECIFIED			
THIS DOCUMENT IS IN ACCORDANCE WITH ASME Y14.5M-1994 AS AMENDED BY THE GM GLOBAL DIMENSIONING AND TOLERANCING ADDENDUM (2003). SEPARATE PATTERNING OF FEATURES MAY BE GIVEN SEPARATELY REGARDLESS OF DATUM REFERENCES.			
ALL DIMENSIONS ARE IN MILLIMETERS			
7 PROCESS SENSITIVE DIMENSION		THIRD ANGLE PROJECTION	
DIMENSIONS ENCLOSED IN () INDICATE REFERENCE DIMENSIONS AND NO TOLERANCE UNITS ARE ESTABLISHED		DO NOT SCALE	
DIMENSIONAL RANGE (MM)		USE MATH DATA	
FROM	0	> 20	> 30
TO	20	30	100
TOLERANCE UNLESS OTHERWISE SPECIFIED		ANGULAR TOLERANCE 12°	
1±0.151	±0.2	±0.3	±0.4
±0.5			

DELPHI

DELPHI PACKARD ELECTRIC SYSTEMS
WARREN, OH

DR	DATE
E. LUQUENO	27FE96
R. RAMOS S.	27FE96
D.A. DESANTO	04MR96

UNLESS OTHERWISE SPECIFIED
SUBSTANCES OF CONCERN AND RECYCLED CONTENT PER DELPHI 10949001

ASSEMBLY NAME: ASM MISC SENSOR ASSEMBLY BLK

DRAWING NUMBER: 12191170

SIZE: A0 SCALE: 5:1 FRAME NO: 1 OF 2 SHEET NO: 1 OF 1 REV: 04

X-ON Electronics

Largest Supplier of Electrical and Electronic Components

Click to view similar products for [Automotive Connectors](#) category:

Click to view products by [APTIV](#) manufacturer:

Other Similar products are found below :

[003-018-000](#) [60403001](#) [60993906-B](#) [629515004020001](#) [M902-2131](#) [M902-2161](#) [72.330.1035.1](#) [73.353.4028.0](#) [F119300-B](#) [F166900](#)
[F258300-B](#) [F358300-B](#) [F407400](#) [F444110](#) [F487000](#) [F509500B-B](#) [827153-1](#) [8N1515-32-24P](#) [9-1326729-8](#) [925474-1](#) [928905-1](#) [964562-4](#)
[968782-1](#) [GT17SA-8DS-HU](#) [98891-1012](#) [98947-1016](#) [12004475-L](#) [12010290](#) [12010309-B](#) [12015454](#) [12020219-B](#) [12020308](#) [12041318-B](#)
[12052225-L](#) [12052466](#) [12059125](#) [12064869](#) [12004327-B](#) [12010503-B](#) [12015308](#) [12015384](#) [12015909](#) [1-21030-1](#) [12041254](#) [12041318](#)
[12047946-B](#) [12047957](#) [12047957-L](#) [12059473](#) [12066261](#)