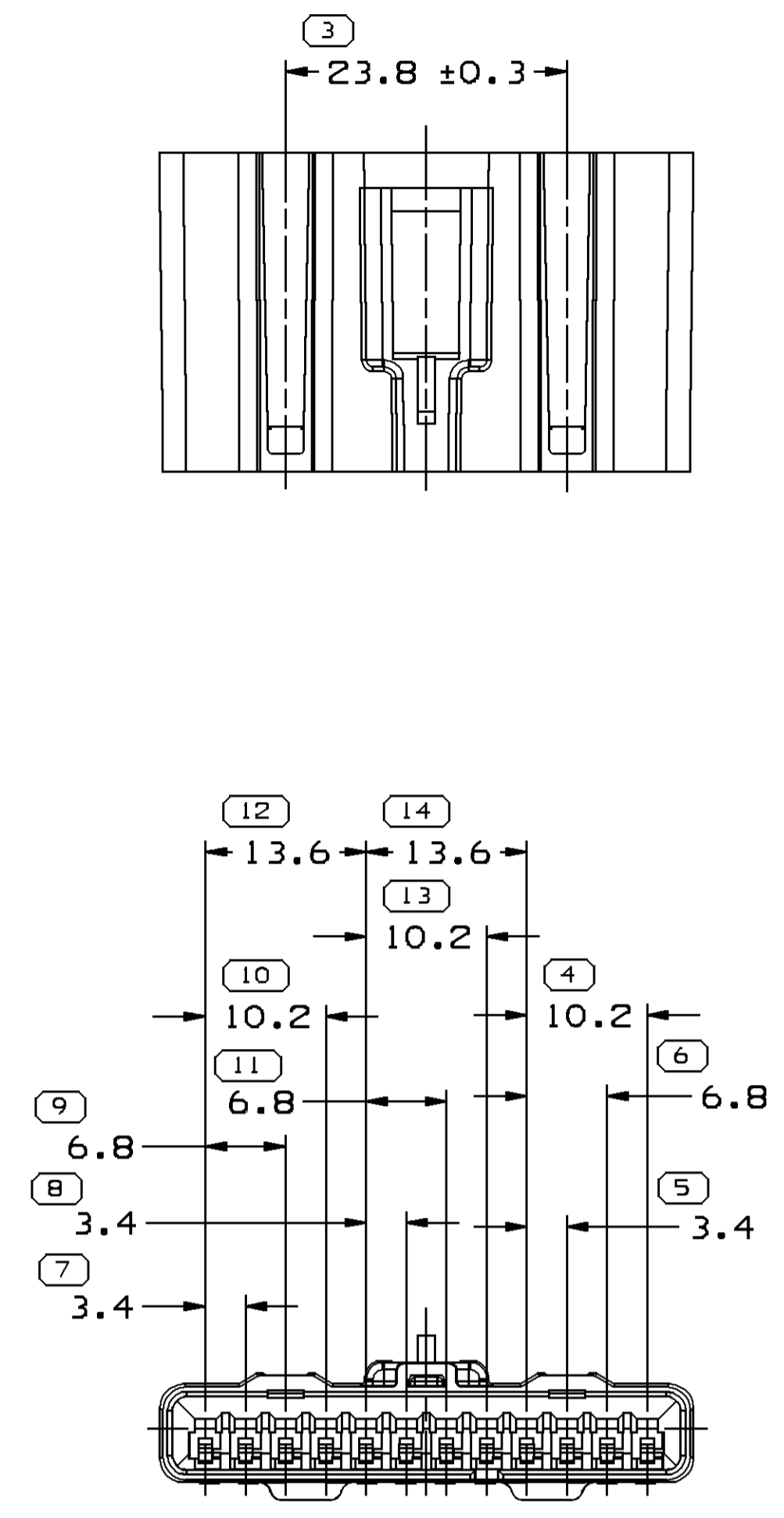
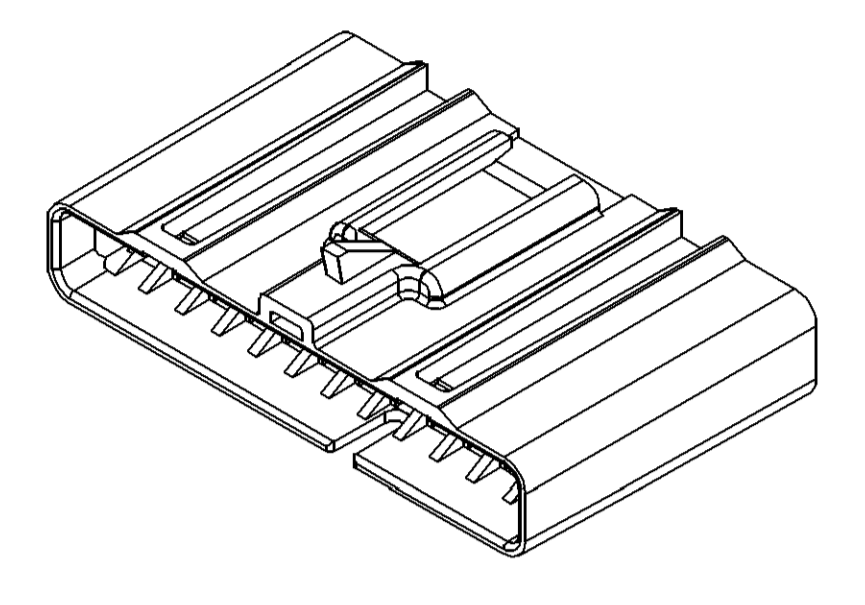
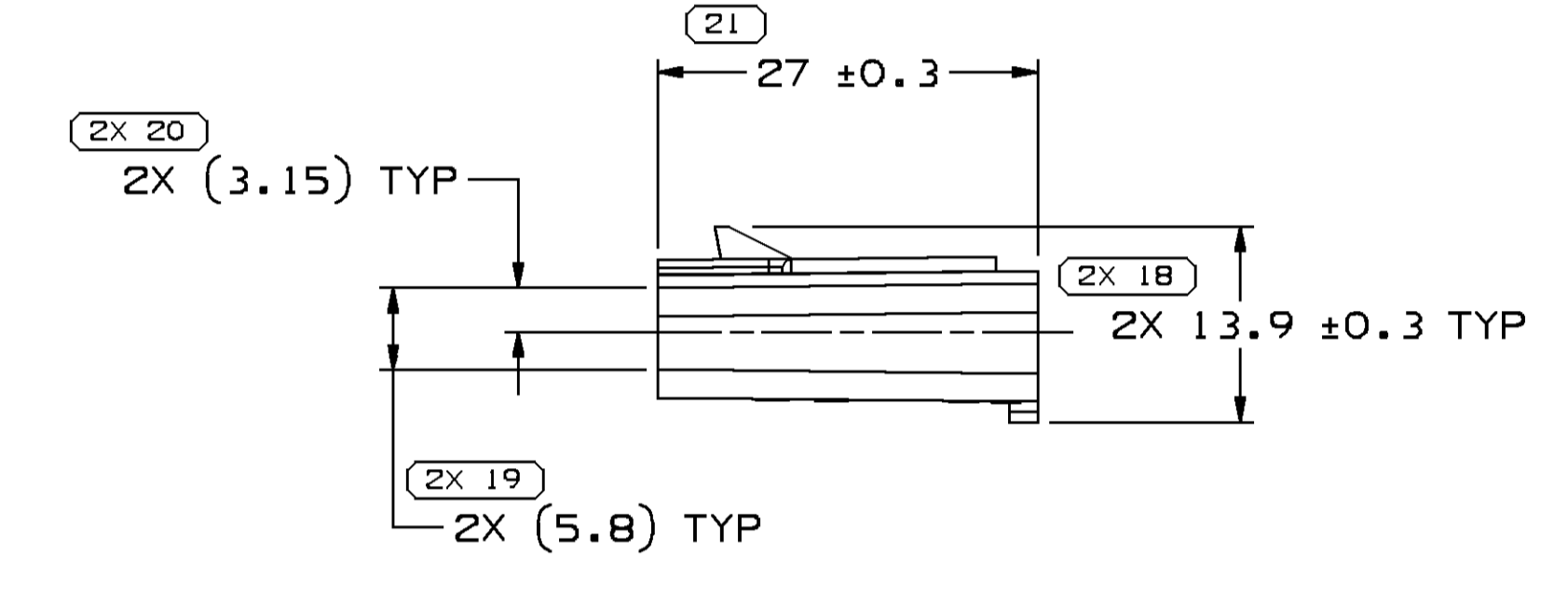


SYMBOL DEFINITION		TOTAL NO OF INSPECTIONS REQUIRED	MISSING SYMBOLS
A DIMENSION WITHOUT AN INSPECTION REPORT SYMBOL DOES NOT REQUIRE INSPECTION. IT MAY BE CONTROLLED ON THE INDIVIDUAL COMPONENT DRAWING.		32	NO MISSING SYMBOL NUMBER
LAST NO. USED		25	

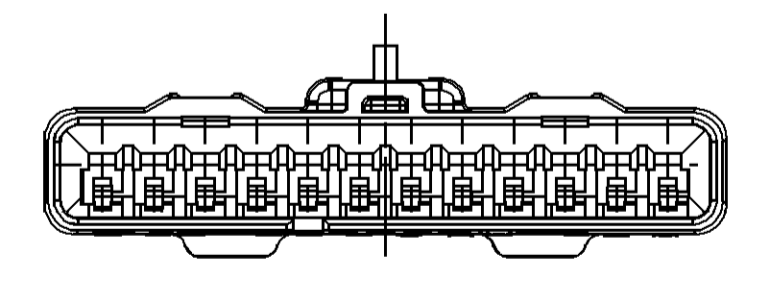
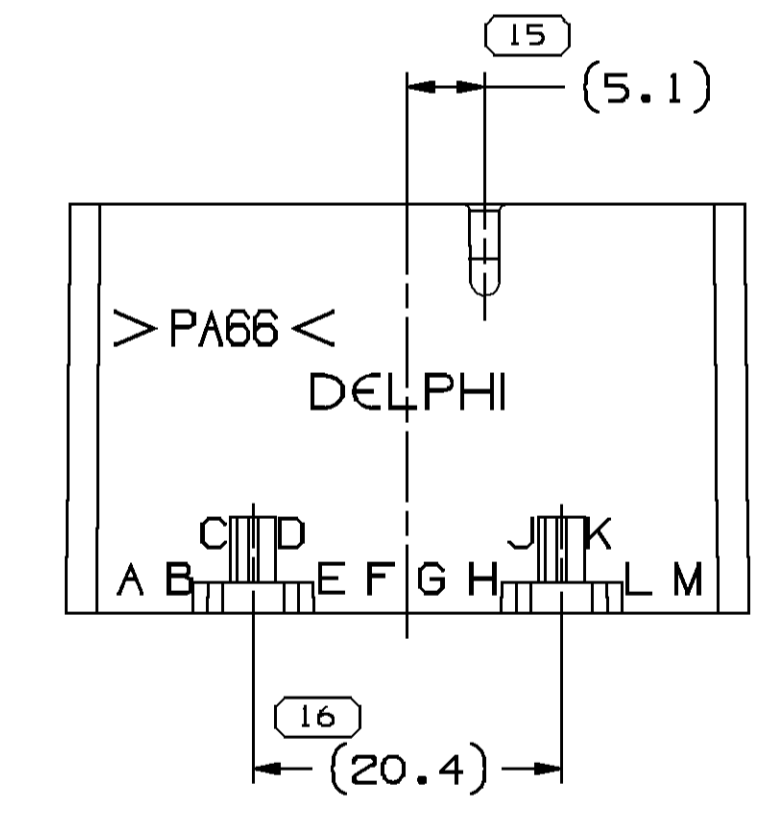
DWG STATUS				REVISION HISTORY		AUTH	DR	AP/VD
DATE	STG	REV	N/P	CHG	ZONE			
19FE99	R	01	-	-		CLEARED REV COLUMN: 12191216-CANCELLED REV "01" & REVERTED BACK ORIGINAL DESIGN AT REV "A" - REVISION LEVEL ADVANCED	192332	LM/661
22MR07	R	09	-	-		12191216 - UPDATED PDM ATTRIBUTES	400922	JBD/JVM/661
17FE09	R	10	-	-		12176461 - UPDATED MAT'L CALLOUT	407242	JAR/JAR/LHD



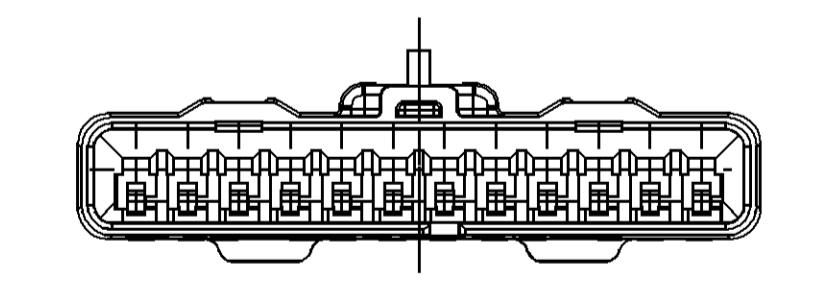
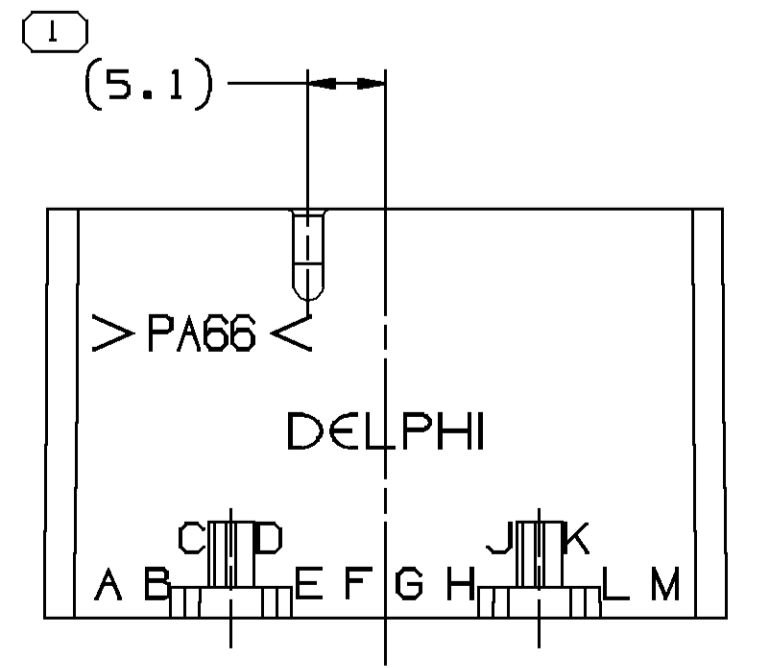
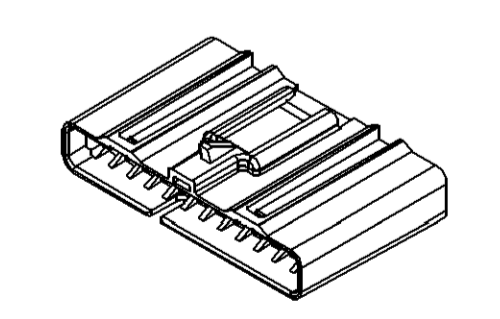
TYPE 101



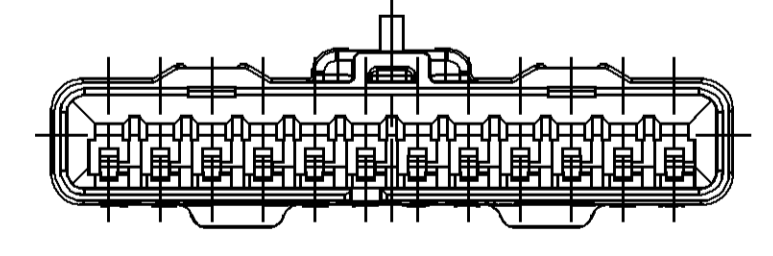
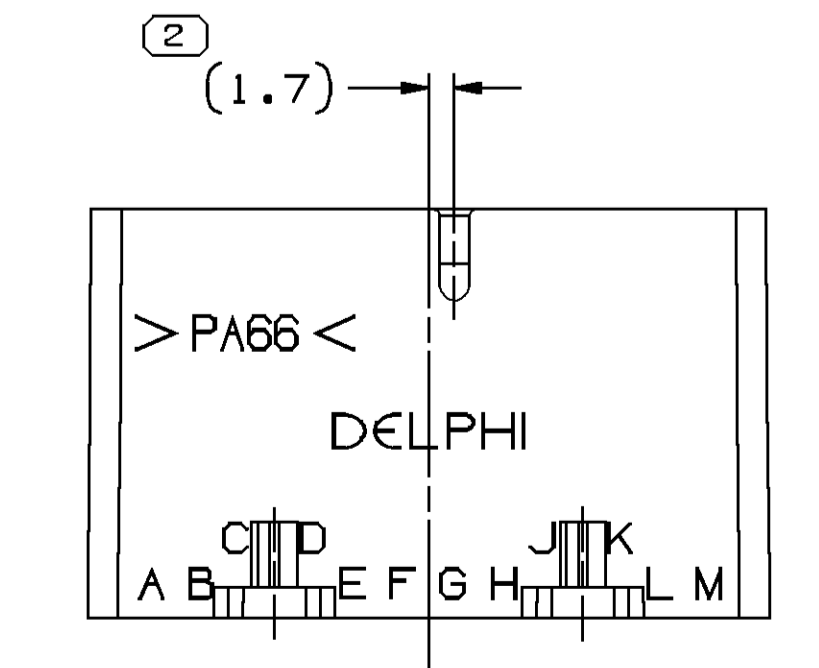
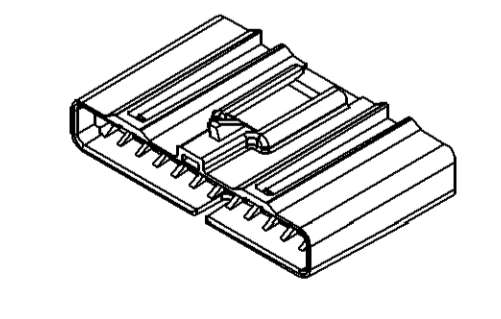
- NOTES
- UNLESS OTHERWISE SPECIFIED AND/OR INDICATED: DIMENSIONS ARE TO FACE OF VIEW SHOWN AND AUTOMATICALLY ROUNDED BY COMPUTER FOR INSPECTION. (SEE MATH MODEL FOR PRECISE DIMENSIONS.) FOR ALL OTHER DIMENSIONS NOT SHOWN BUT REQUIRED FOR TOOL BUILD, SEE MATH MODEL FOR PRECISE TOOL PATH DATA.
 - MATERIAL RECYCLING CODE PER ISO 11469. (2,3)X(0.1) CHARACTERS AS SHOWN TO BE LOCATED ON ANY EXTERIOR SURFACE.
 - THIS PRODUCT IS NOT CATEGORIZED AS AN APPEARANCE ITEM, MINOR IMPERFECTIONS INCLUDING, BUT NOT LIMITED TO, FLOW MARKS, COLOR BLEMISHES, GATE VESTIGE, AND SOFT FLASH THAT DO NOT AFFECT THE FIT, FORM, OR FUNCTION OF THE PART ARE PERMISSIBLE PER NAP 4.10-18.
 - (2,3)X(0.1) DELPHI CORPORATE BRAND TO BE LOCATED ON ANY EXTERIOR SURFACE, PREFERABLY VISIBLE AT FINAL ASSEMBLY. OPTIONAL CONSTRUCTION FOR EXISTING TOOLING MAY BE "PED".
 - FOR APPLICATION DATA SEE THE INDIVIDUAL APPLICATION DRAWINGS.



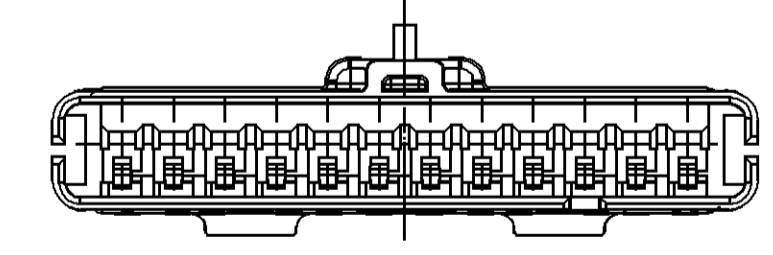
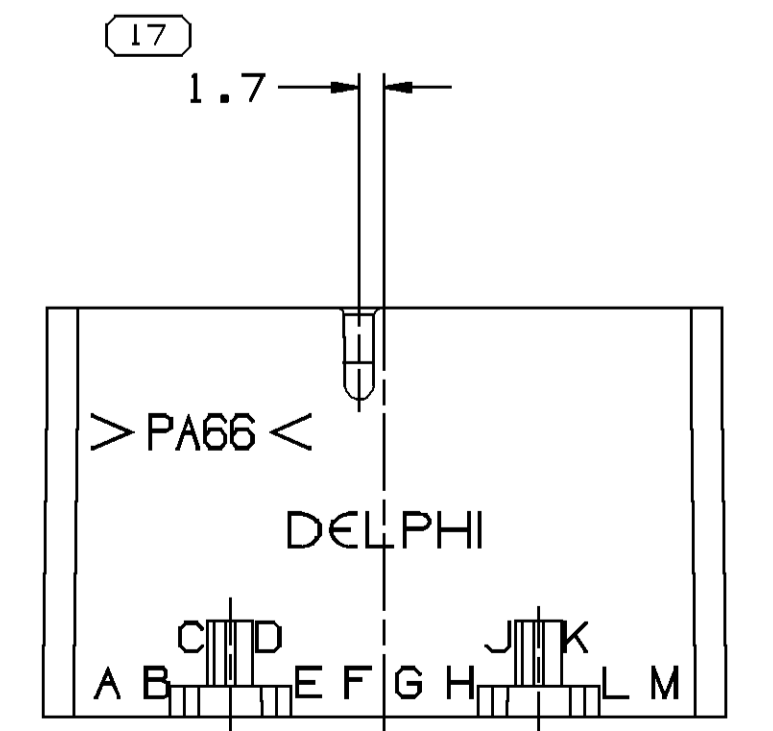
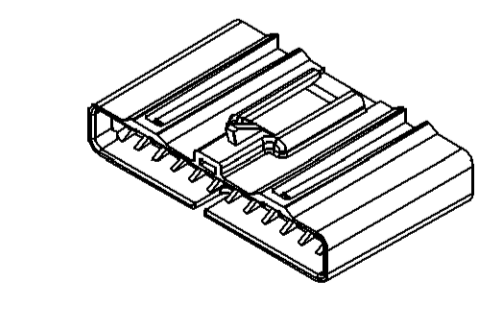
TYPE 102
SAME AS TYPE 101
EXCEPT AS SHOWN



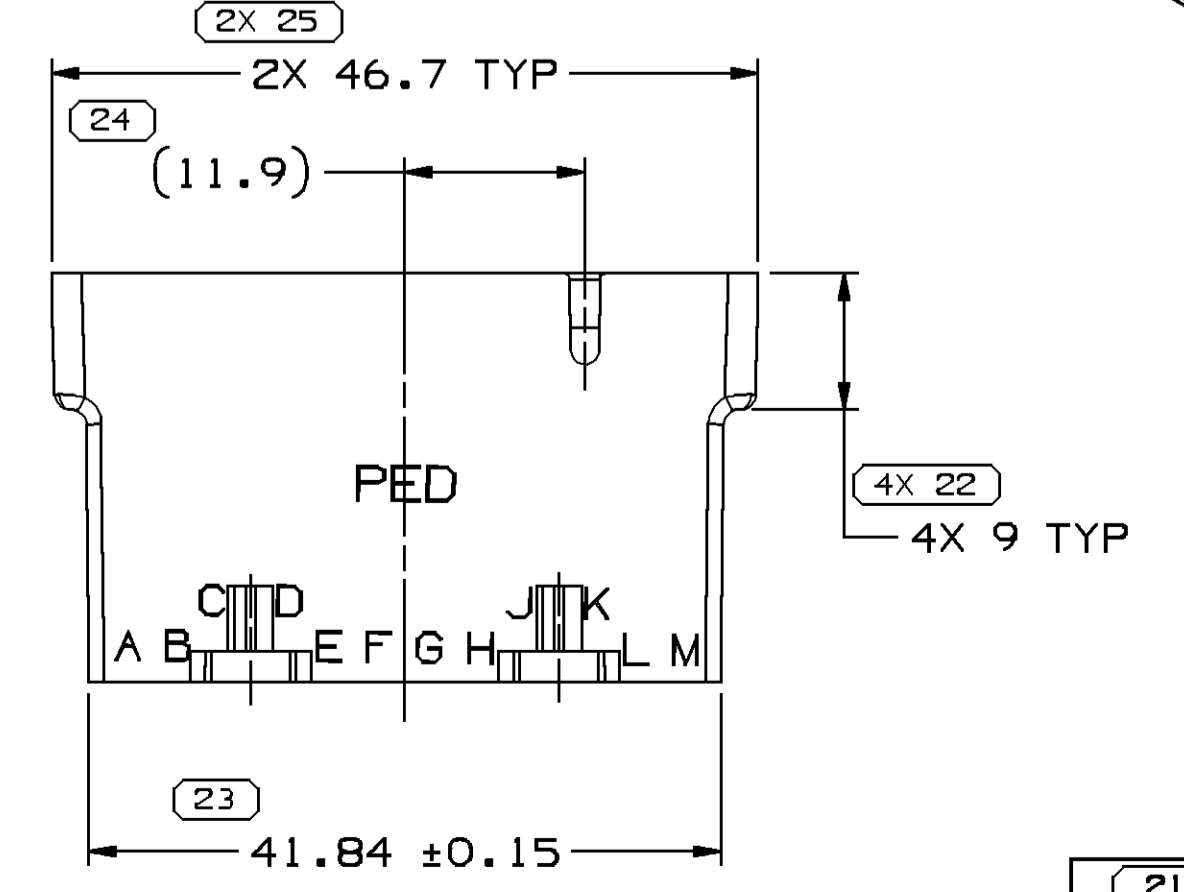
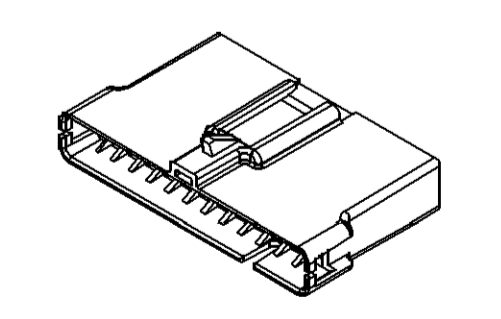
TYPE 103
SAME AS TYPE 101
EXCEPT AS SHOWN



TYPE 104
SAME AS TYPE 101
EXCEPT AS SHOWN



TYPE 105
SAME AS TYPE 101
EXCEPT AS SHOWN



PART NO	REV	N/P	STATUS	TYPE	MATERIAL SPECIFICATION AND COLOR	MATING CAP ASM	VOLUME
12191216	B2	-	-	105	M3592012 PA66 HS-IM GRA LT	12191217	5.084
12176461	C1	-	-	104	POLYAMIDE COMPOUND BLACK	12176470	5.544
12176460	C1	-	-	103	RO071754 PA66 HS IM-BLK	12176469	5.544
12176459	C	-	-	102	RO071754 PA66 HS IM-BLK	12176468	5.544
12176458	C	-	-	101	RO071754 PA66 HS IM-BLK	12176467	5.544

DIMENSIONAL RANGE (MM)		CHART	THIRD ANGLE PROJECTION	DO NOT SCALE	
FROM	0	> 20	> 30	> 70	> 100
TO	20	30	70	100	> 100
TOLERANCE UNLESS OTHERWISE SPECIFIED					
[0, 15] ± 0.2		[0.3, 1] ± 0.5			
ANGULAR TOLERANCE ± 2°					

DELPHI
DELPHI PACKARD ELECTRICAL/ELECTRONIC ARCHITECTURE
NAPER, OH

DR	DATE
J. M. SOVA	27AP94
J. M. SOVA	27AP94
J. M. SOVA	27AP94
GARY DETTER	29AP94

UNLESS OTHERWISE SPECIFIED: PERFECT FORM REQUIRED FOR FEATURES OF SIZE AT MAX. THREE POINT TOLERANCES AND RELATED DIMENSIONS APPLY AT ONE POINT OF SIZE INDICATED IN FEATURE CONTAINING THEM. ALL OTHER GEOMETRIC TOLERANCES AND RELATED DIMENSIONS APPLY SEPARATELY. SEPARATE TOLERANCE CALLOUTS MAY BE BAGED SEPARATELY, REGARDLESS OF DIMENSION REFERENCE.

ALL DIMENSIONS ARE IN MILLIMETERS

DRAWING NAME: TAXI CONN F 0T 150 SPL SAVER

DRAWING NUMBER: 12176518

SIZE: A0
SCALE: 2:1
FRAME NO: 1 OF 1
SHEET NO: 1 OF 1
REV: R
N/P: 10

X-ON Electronics

Largest Supplier of Electrical and Electronic Components

Click to view similar products for [Automotive Connectors](#) category:

Click to view products by [APTIV](#) manufacturer:

Other Similar products are found below :

[003-018-000](#) [60993906-B](#) [72.330.1035.1](#) [F358300-B](#) [F407400](#) [776880-1](#) [827153-1](#) [8N1515-32-24P](#) [9-1326729-8](#) [925474-1](#) [928905-1](#)
[964562-4](#) [968782-1](#) [98891-1012](#) [12004475-L](#) [12041318-B](#) [12052466](#) [12015909](#) [1-21030-1](#) [12041318](#) [12047957](#) [12185550](#) [12336-12](#)
[12147304](#) [13681974](#) [13783086](#) [13832576](#) [13542772](#) [13675513](#) [1393425-2](#) [13964573](#) [1428188-1](#) [1437287-3](#) [1438231-5](#) [1428188-2](#) [DS07-](#)
[19S-5020](#) [1456983-5](#) [1456987-7](#) [APD-7CP-H](#) [APK-SB25A10L](#) [1452931-2](#) [15491972](#) [15305306](#) [15396680](#) [15425613](#) [15518544](#) [15522351](#)
[1719636-1](#) [172190-2](#) [172190-5](#)