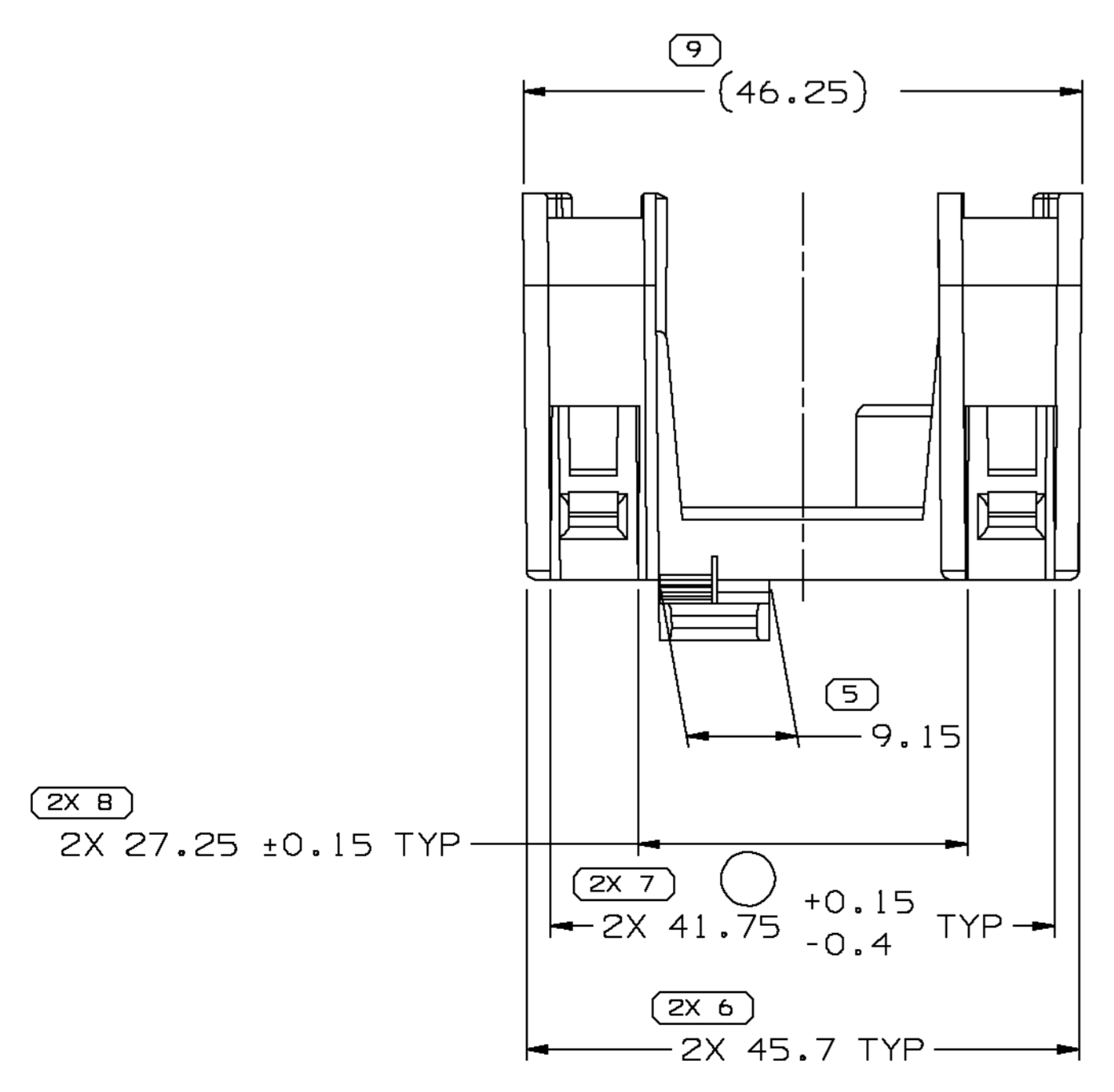
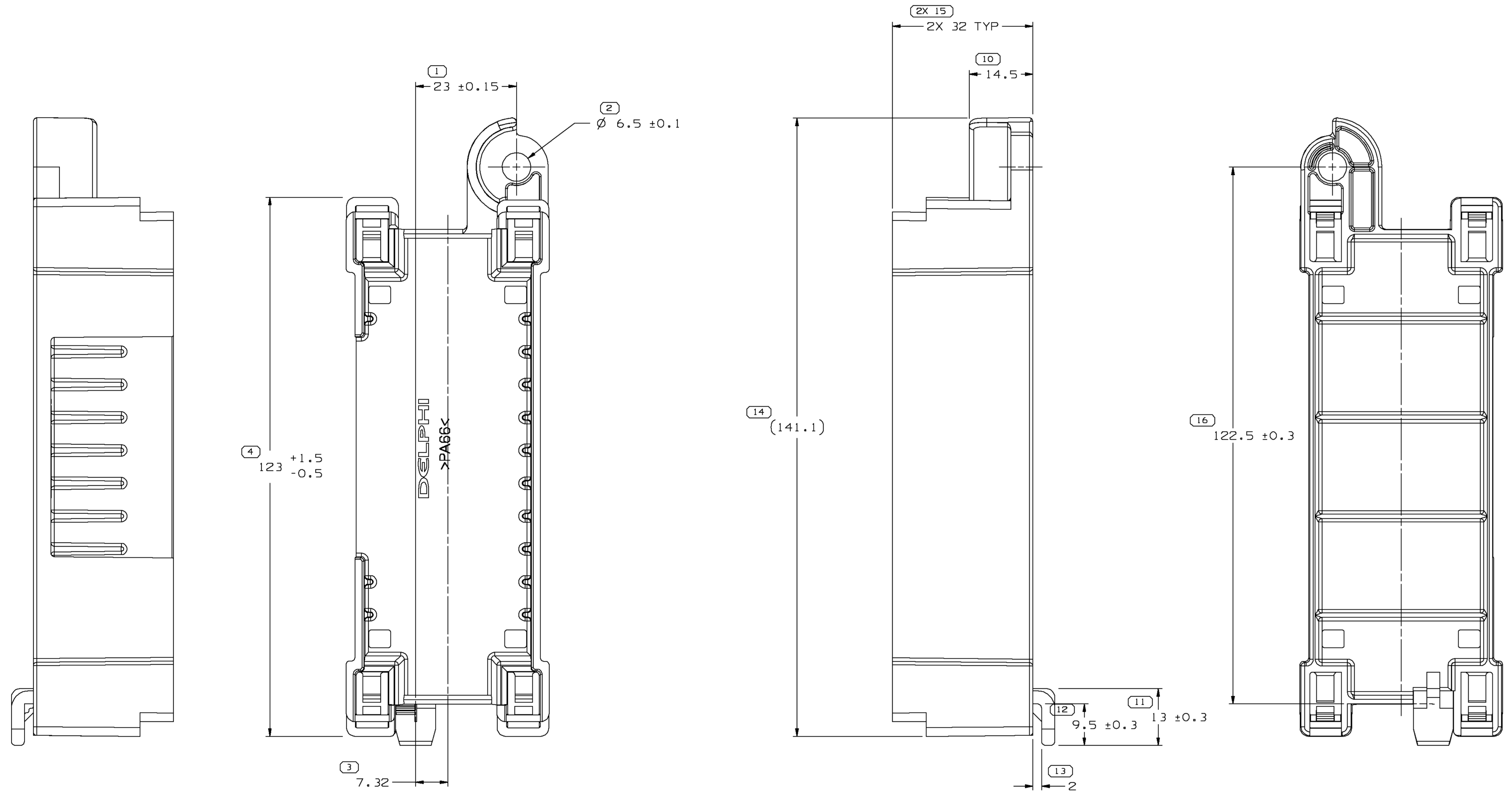
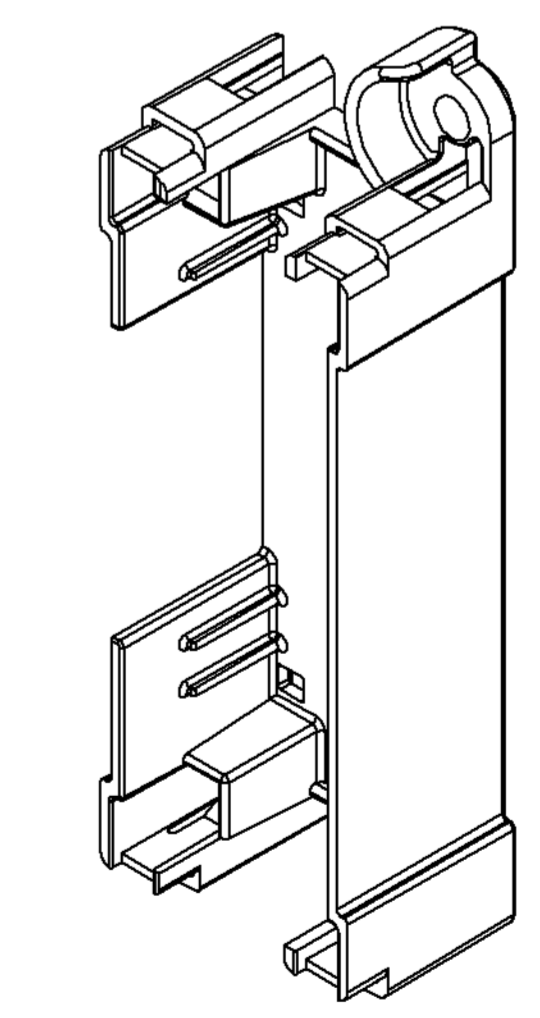


SYMBOL DEFINITION		MISSING SYMBOLS	
A DIMENSION WITHOUT AN INSPECTION REPORT SYMBOL DOES NOT REQUIRE INSPECTION. IT MAY BE CONTROLLED ON THE INDIVIDUAL COMPONENT DRAWING.	TOTAL NO OF INSPECTIONS REQUIRED	NO MISSING SYMBOL NUMBER	
	20		
	LAST NO. USED		
	16		

DWG STATUS					REVISION HISTORY			AUTH	DR	APVD	APVD
DATE	STG	REV	W/P	CHG	ZONE						
19N002	R	04	-	-		REDRAWN TO PD, MAT'L SPEC WAS R0067547 PA6-BLK AND ADDED LOGO & MAT'L RECYCLING CODE NOTES	233759	JGR	RH	ET	
19N003	R	04	AA	-		DIM WAS 2X 41.75 ± 0.15 TYP	248722	MAC	MAC	AK	



- NOTES**
- UNLESS OTHERWISE SPECIFIED AND/OR INDICATED: DIMENSIONS ARE TO FACE OF VIEW SHOWN AND AUTOMATICALLY ROUNDED BY COMPUTER FOR INSPECTION (SEE MATH MODEL FOR PRECISE DIMENSIONS). FOR ALL OTHER DIMENSIONS NOT SHOWN BUT REQUIRED FOR TOOL BUILD, SEE MATH MODEL FOR PRECISE TOOL PATH DATA.
 - MATERIAL RECYCLING CODE >PA66< PER SAE J1344. (2.3)X(0.1) RAISED CHARACTERS AS SHOWN TO BE LOCATED ON ANY EXTERIOR SURFACE. OPTIONAL CONSTRUCTION TO BE NO MATERIAL RECYCLING CODE.
 - SEALING CODE 0 - UNSEALED
 - MATING COMPONENTS OR EQUIVALENT: CONVENIENCE CENTER 12092506
 - (2.3)X(0.1) RAISED DELPHI CORPORATE BRAND TO BE LOCATED ON ANY EXTERIOR SURFACE, PREFERABLY VISIBLE AT FINAL ASSEMBLY. OPTIONAL CONSTRUCTION TO BE "PED" OR NO LOGO.



DWO TYPE		PART DRAWING	
STYLE	30.225	DISTR CODE	D
VOLUME (COP)	6900		
ROUTING			

DELPHI
DELPHI PACKARD ELECTRIC SYSTEMS
WARREN, OH

DR	DATE
APVD1 G. HORCHLER	02FE96
APVD2 G. HORCHLER	02FE96
APVD3 C. WATKINS	02FE96
APVD4	
APVD5	

MATERIAL: M3592001 PA66 HS 1M BLK

DRAWING NAME: MISC MODULE BLK W45.70 H144.00

DRAWING NUMBER: 12191497

SIZE	SCALE	FRAME NO	SHEET NO	STG	REV	W/P
A0	2:1	1	1	1	1	04

DIMENSIONAL RANGE (MM)		CHART		ET	
FROM	TO	1	2	3	4
0	20	±0.1	±0.15	±0.2	±0.3
20	30	±0.15	±0.2	±0.3	±0.4
30	70	±0.2	±0.3	±0.4	±0.5
70	100	±0.3	±0.4	±0.5	±0.6
100	150	±0.4	±0.5	±0.6	±0.8
150	200	±0.5	±0.6	±0.8	±1
200	250	±0.6	±0.8	±1	±1.2
250	300	±0.8	±1	±1.2	±1.5
300	400	±1	±1.2	±1.5	±2

THIRD ANGLE PROJECTION

DO NOT SCALE

USE MATH DATA

UNIGRAPHICS

X-ON Electronics

Largest Supplier of Electrical and Electronic Components

Click to view similar products for [Automotive Connectors](#) category:

Click to view products by [APTIV](#) manufacturer:

Other Similar products are found below :

[003-018-000](#) [60403001](#) [60993906-B](#) [629515004020001](#) [M902-2131](#) [M902-2161](#) [72.330.1035.1](#) [73.353.4028.0](#) [F119300-B](#) [F166900](#)
[F258300-B](#) [F358300-B](#) [F407400](#) [F444110](#) [F487000](#) [F509500B-B](#) [827153-1](#) [8N1515-32-24P](#) [9-1326729-8](#) [925474-1](#) [928905-1](#) [964562-4](#)
[968782-1](#) [GT17SA-8DS-HU](#) [98891-1012](#) [98947-1016](#) [12004475-L](#) [12010290](#) [12010309-B](#) [12015454](#) [12020219-B](#) [12020308](#) [12041318-B](#)
[12052225-L](#) [12052466](#) [12059125](#) [12064869](#) [12004327-B](#) [12010503-B](#) [12015308](#) [12015384](#) [12015909](#) [1-21030-1](#) [12041254](#) [12041318](#)
[12047946-B](#) [12047957](#) [12047957-L](#) [12059473](#) [12066261](#)