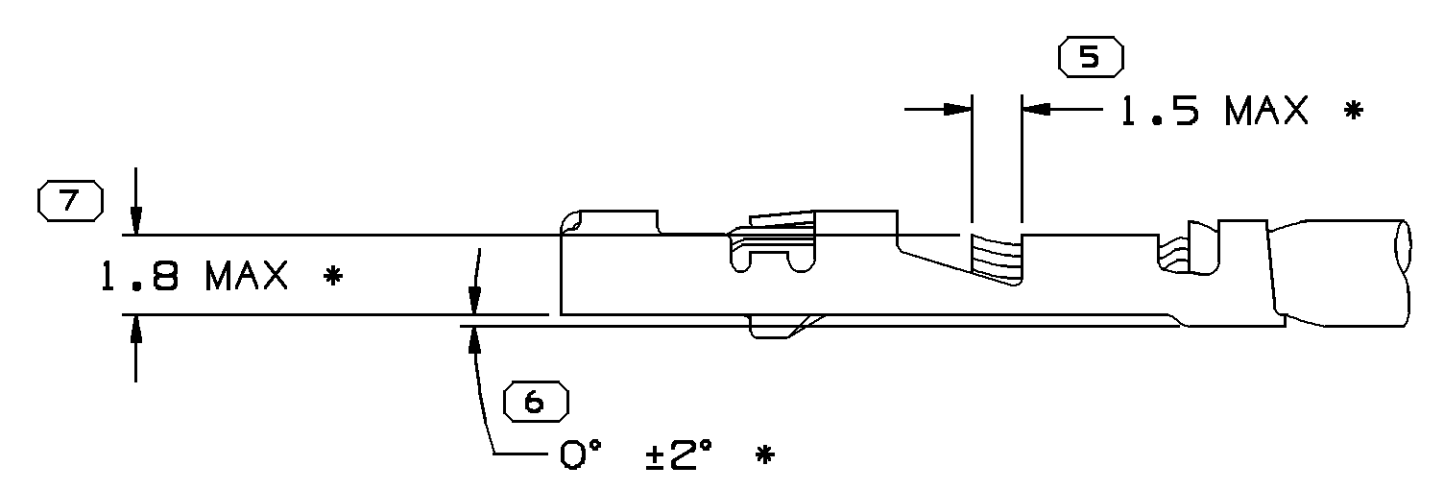
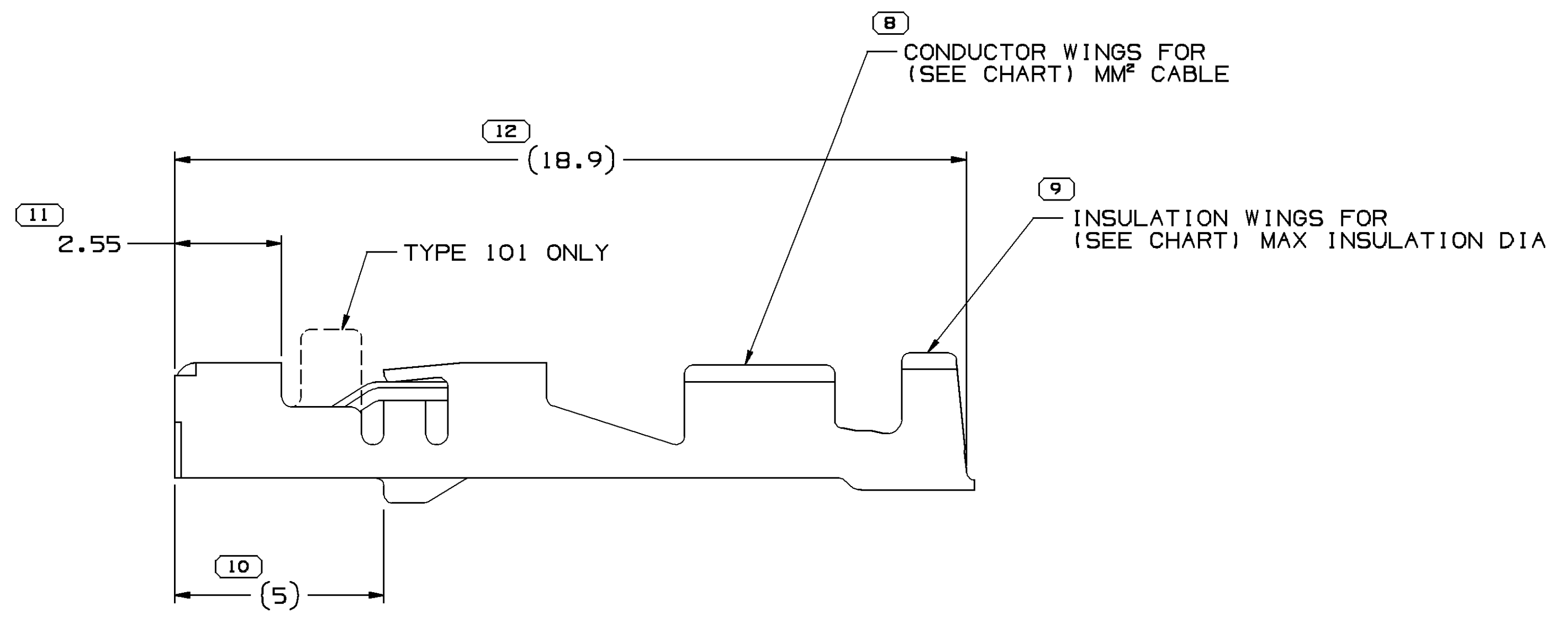
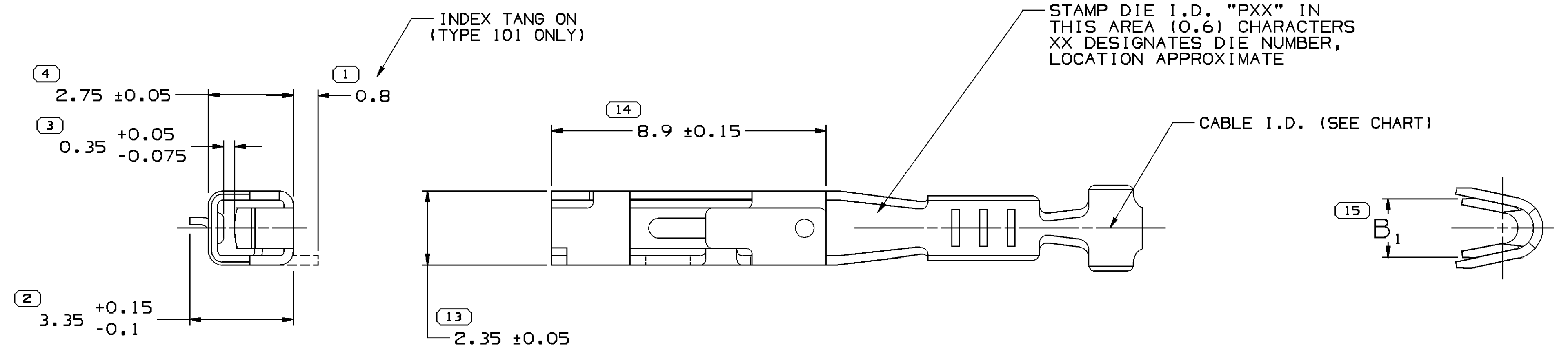


| SYMBOL DEFINITION | | MISSING SYMBOLS | |
|--|----------------------------------|--------------------------|----|
| A DIMENSION WITHOUT AN INSPECTION REPORT SYMBOL \square DOES NOT REQUIRE INSPECTION. IT MAY BE CONTROLLED ON THE INDIVIDUAL COMPONENT DRAWING. | TOTAL NO OF INSPECTIONS REQUIRED | NO MISSING SYMBOL NUMBER | 15 |
| | LAST NO. USED | | 15 |

| DWG STATUS | | | | ZONE | REVISION HISTORY | AUTH | DR | APVD1 | APVD2 |
|------------|-----|-----|-----|------|---|--------|-----|-------|-------|
| DATE | STG | REV | N/P | | | | | | |
| 30JL02 | R | 04 | - | | CLEARED REVISION COLUMN: ALL PARTS - REDRAWN TO PD & UPDATED PDM ATTRIBUTES | 226419 | MRF | JVM | TTP |
| 24JA03 | R | 05 | - | | ADVANCED REVISION LEVEL | 235918 | LMB | LMB | TV |
| 23JA04 | R | 06 | - | | ADVANCED REVISION LEVEL | 251141 | LMB | LMB | LN |
| 24SE04 | R | 07 | - | | ADDED TERMINAL I.D. NOTE | 259075 | MDH | AUG | MKM |
| 130C04 | R | 08 | - | | ADVANCED REVISION LEVEL | 259807 | CCV | AUG | MY |
| 25AP06 | R | 09 | - | | 12191811-12 - UPDATED PDM ATTRIBUTES | 276502 | JBD | AUG | JES |



TERMINAL AND CABLE ALIGNMENT
SCALE 5:1

NOTES

- UNLESS OTHERWISE SPECIFIED AND/OR INDICATED: DIMENSIONS ARE TO FACE OF VIEW SHOWN AND AUTOMATICALLY ROUNDED BY COMPUTER FOR INSPECTION (SEE MATH MODEL FOR PRECISE DIMENSIONS). FOR ALL OTHER DIMENSIONS NOT SHOWN BUT REQUIRED FOR TOOL BUILD, SEE MATH MODEL FOR PRECISE TOOL PATH DATA.
- MATING TERMINAL 15304701 OR EQUIVALENT.
- * DENOTES DIMENSIONS MADE AT CUT-OFF AND CRIMP DIE.

| PART NO | REV | STATUS | MAT'L SIZE | MAT'L SPEC | SIZE (MM²) | ID | DIA | TYPE | B ₁ ±0.2 |
|----------|-----|------------|-------------|-----------------------|------------|----|----------|------|---------------------|
| 15326398 | A2 | RESTRICTED | 0.3 X 27.38 | M3659A23 C42500 EX HD | 1-1.5 | 15 | 2.4-1.9 | 101 | 2.95 |
| 15317756 | B2 | | 0.3 X 27.38 | M3659A23 C42500 EX HD | 0.35-0.5 | 21 | 1.1-1.3 | 101 | 2.1 |
| 12191814 | C2 | RESTRICTED | 0.3 X 27.38 | M3659A23 C42500 EX HD | 0.75-1 | 17 | 2.25-1.7 | 102 | 2.65 |
| 12191813 | C2 | RESTRICTED | 0.3 X 27.38 | M3659A23 C42500 EX HD | 0.35-0.5 | 21 | 1.85-1.2 | 102 | 2.1 |
| 12191812 | C6 | | 0.3 X 27.38 | M3659A23 C42500 EX HD | 0.75-1 | 17 | 2.25-1.7 | 101 | 2.65 |
| 12191811 | CEV | | 0.3 X 27.38 | M3659A23 C42500 EX HD | 0.35-0.5 | 21 | 1.85-1.2 | 101 | 2.1 |
| | | | PLATED | | | | | | |
| | | | | | | | | | |

| | |
|---|---------|
| (13) PROCESS SENSITIVE DIMENSION | |
| DIMENSIONS ENCLOSED IN () INDICATE REFERENCE DIMENSIONS AND NO TOLERANCE LIMITS ARE ESTABLISHED. | |
| FROM TO | CHART D |
| 0 12 | >12 |
| TOLERANCE UNLESS OTHERWISE SPECIFIED | |
| ±0.1 | ±0.2 |
| ANGULAR TOLERANCE ±2° | |

| | |
|--|--------------|
| DWG TYPE PART DRAWING | |
| STYLE | |
| VOLUME (QTY) | DISTR CODE |
| | D |
| UNLESS OTHERWISE SPECIFIED | |
| THIS DOCUMENT IS IN ACCORDANCE WITH ASME Y14.5M-1994 AS AMENDED BY THE 3M GLOBAL DIMENSIONING AND TOLERANCING ADDENDUM - 1997. ALL GEOMETRIC TOLERANCES AND RELATED DATUMS APPLY RFS. RULE #1 (PERFECT FORM AT MMC) DOES NOT APPLY WHEN RELATIONSHIP BETWEEN FEATURES IS ESTABLISHED BY ORIENTATION OR LOCATION TOLERANCES. SEPARATE POSITION CALLOUTS MAY BE GAGED SEPARATELY, REGARDLESS OF DATUM REFERENCE. ALL DIMENSIONS ARE IN MILLIMETERS | |
| REFERENCE | |
| THIRD ANGLE PROJECTION | DO NOT SCALE |
| USE MATH DATA | UNIGRAPHICS |

DELPHI
DELPHI PACKARD ELECTRIC SYSTEMS
WARREN, OH

| | | | |
|-------|---------------|------|--------|
| DR | E. BUNGO | DATE | 31AU94 |
| APVD1 | E. MONCISVAIS | | 07DE95 |
| APVD2 | MANUEL VEGA | | 07DE95 |
| APVD3 | S. C. HSIEH | | 06JA96 |
| APVD4 | | | |
| APVD5 | | | |

SUBSTANCES OF CONCERN AND RECYCLED CONTENT PER DELPHI 10949001

MATERIAL SEE CHART

DRAWING NAME TAXI TERM F 6T 150

DRAWING NUMBER 12191810

| | | | | | | |
|------|-------|----------|----------|-----|-----|-----|
| SIZE | SCALE | FRAME NO | SHEET NO | STG | REV | N/P |
| A1 | 10:1 | 1 OF 1 | 1 OF 2 | R | 09 | - |

X-ON Electronics

Largest Supplier of Electrical and Electronic Components

Click to view similar products for [Automotive Connectors](#) category:

Click to view products by [APTIV](#) manufacturer:

Other Similar products are found below :

[003-018-000](#) [60403001](#) [60993906-B](#) [629515004020001](#) [M902-2131](#) [M902-2161](#) [72.330.1035.1](#) [73.353.4028.0](#) [F119300-B](#) [F166900](#)
[F258300-B](#) [F358300-B](#) [F407400](#) [F444110](#) [F487000](#) [F509500B-B](#) [827153-1](#) [8N1515-32-24P](#) [9-1326729-8](#) [925474-1](#) [928905-1](#) [964562-4](#)
[968782-1](#) [GT17SA-8DS-HU](#) [98891-1012](#) [98947-1016](#) [12004475-L](#) [12010290](#) [12010309-B](#) [12015454](#) [12020219-B](#) [12020308](#) [12041318-B](#)
[12052225-L](#) [12052466](#) [12059125](#) [12064869](#) [12004327-B](#) [12010503-B](#) [12015308](#) [12015384](#) [12015909](#) [1-21030-1](#) [12041254](#) [12041318](#)
[12047946-B](#) [12047957](#) [12047957-L](#) [12059473](#) [12066261](#)