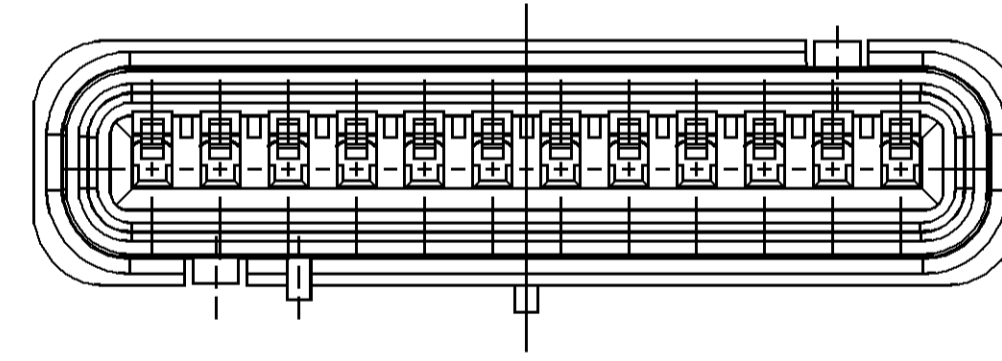
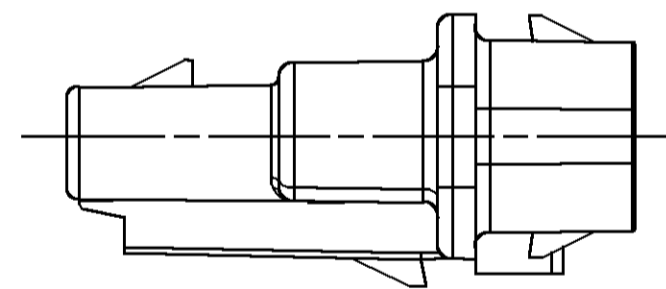
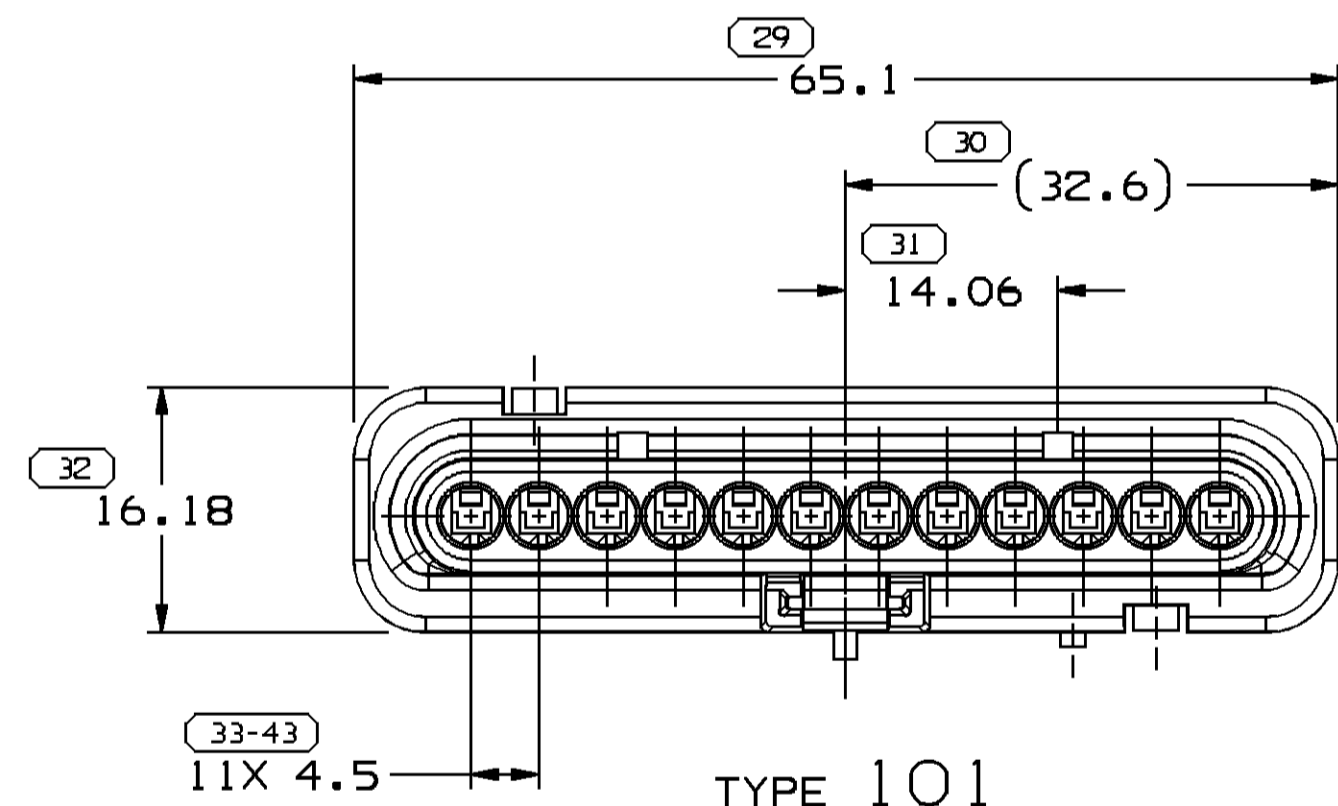
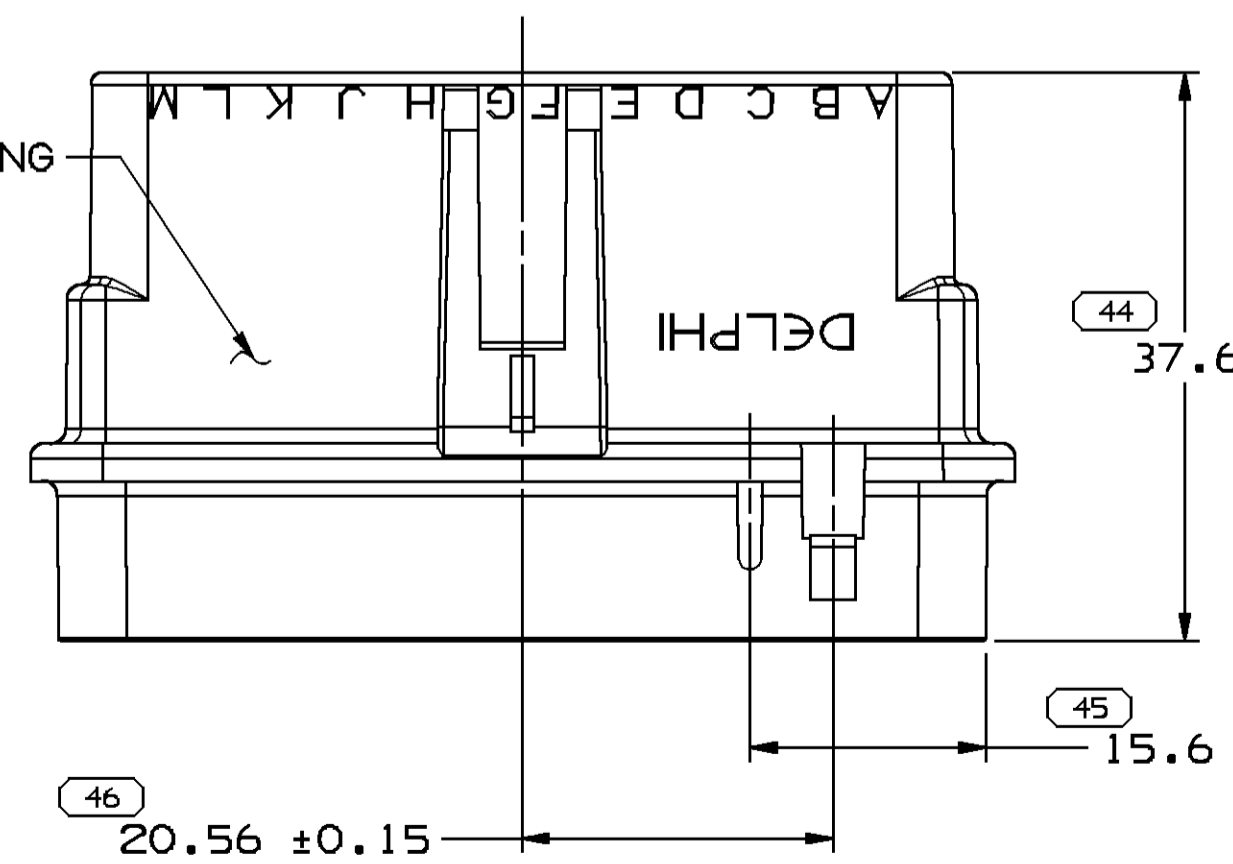


TYPE 102
SAME AS TYPE 101
EXCEPT AS SHOWN



TYPE 101



MATERIAL RECYCLING CODE OPTIONAL

NOTES

- UNLESS OTHERWISE SPECIFIED AND/OR INDICATED:
DIMENSIONS ARE TO FACE OF VIEW SHOWN AND AUTOMATICALLY ROUNDED BY COMPUTER FOR INSPECTION (SEE MATH MODEL FOR PRECISE DIMENSIONS). FOR ALL OTHER DIMENSIONS NOT SHOWN BUT REQUIRED FOR TOOL BUILD, SEE MATH MODEL FOR PRECISE TOOL PATH DATA.
- MATERIAL RECYCLING CODE PER ISO 11469, (2.3)X(0.1) CHARACTERS AS SHOWN TO BE LOCATED ON ANY EXTERIOR SURFACE.
- (2.3)X(0.1) DELPHI CORPORATE BRAND TO BE LOCATED ON ANY EXTERIOR SURFACE, PREFERABLY VISIBLE AT FINAL ASSEMBLY. OPTIONAL CONSTRUCTION FOR EXISTING TOOLING MAY BE "PED".
- THIS CONNECTION MEETS OR EXCEEDS SAE/USCAR-2 AUGUST 1997: SECTION 5.3.1.2: TERMINAL DISENGAGE CRITERIA WITH THE APPLICATION OF A TERMINAL POSITION ASSURANCE (TPA) SECONDARY LOCK
- FOR APPLICATION DATA SEE THE INDIVIDUAL APPLICATION DRAWINGS.
- THIS PRODUCT IS NOT CATEGORIZED AS AN APPEARANCE ITEM, MINOR IMPERFECTIONS INCLUDING, BUT NOT LIMITED TO, FLOW MARKS, COLOR BLEMISHES, GATE VESTIGE, AND SOFT FLASH THAT DO NOT AFFECT THE FIT, FORM, OR FUNCTION OF THE PART ARE PERMISSIBLE PER DPNP-4.7-CS-01.

SYMBOL DEFINITION		MISSING NUMBERS	
A DIMENSION WITHOUT AN INSPECTION REPORT SYMBOL DOES NOT REQUIRE INSPECTION. IT MAY BE CONTROLLED ON AN INDIVIDUAL COMPONENT DRAWING.	TOTAL NO. OF SYMBOLS ON DRAWING	14	1-11,27.
	LAST NO. USED	46	

DWG STATUS				REVISION HISTORY				AUTH		DR		APVD	
DATE	STG	REV	N/P	CHG	ZONE								
09FE99	R	01	-	-				192300	JTV	JVM	1	2	
CLEARED REVISION COLUMN: 12191910 - 3B.12 +0.2/-0.5 WAS 3B.12 +0.2/-0.3 - CHANGE LEVEL ADVANCED													
17MY05	R	02	-	-			12191910 - REMOVED FROM TAXI	267902	EVV	JVM	M	J	C
17JN11	R	03	-	-			ALL PARTS - ADDED USCAR NOTE AND APPLICATION DRAWING NOTE	414585	GL6	GL6	D	D	L

PART NO	REV	N/P	STATUS	TYPE	MAT'L SPEC	VOL
12191900	B5	-	-	102	POLYAMIDE COMPOUND BLACK	13.92B
12191905	B5	-	-	101	POLYAMIDE COMPOUND BLACK	13.92B

DIMENSIONAL RANGE (MM)		TOLERANCE UNLESS OTHERWISE SPECIFIED	
FROM	TO		
> 0	> 20	±0.15	±0.2
> 20	> 30	±0.3	±0.4
> 30	> 70	±0.5	±0.6
> 70	> 100	±0.6	±0.8
> 100	> 150	±1	±1.2
> 150	> 200	±1	±1.2
> 200	> 250	±1	±1.2
> 250	> 300	±1	±1.2
> 300	> 400	±1	±1.2

DWG TYPE PART DRAWING	
STYLE	
VOLUME (CPI) SEE CHART	DISTR CODE
UNLESS OTHERWISE SPECIFIED THIS DOCUMENT IS IN ACCORDANCE WITH ASME Y14.5M-1994 AS AMENDED BY THE GM GLOBAL DIMENSIONING AND TOLERANCING ADDENDUM-2001. SEPARATE PATTERNS OF FEATURES MAY BE GAGED SEPARATELY REGARDLESS OF DATUM REFERENCES.	
ALL DIMENSIONS ARE IN MILLIMETERS	
REFERENCE	

THIRD ANGLE PROJECTION	DO NOT SCALE
USE MATH DATA	

DELPHI
DELPHI PACKARD ELECTRICAL/ELECTRONIC ARCHITECTURE
WARREN, OH

DR	DATE
APVD1 ENRIQUE BAEZ	15MY96
APVD2 A UGALDE G	24MY96
APVD3 G. DETTER	28JN96
APVD4	
APVD5	

SUBSTANCES OF CONCERN AND RECYCLED CONTENT PER DELPHI 10949001

MATERIAL SEE CHART

DRAWING NAME
TAXI CONN F 0T 150 SLD SPL SAVER

DRAWING NUMBER
12191939

SIZE	SCALE	FRAME NO	SHEET NO	STG	REV	N/P
A1	2:1	1 OF 1	1 OF 1	R	03	-

X-ON Electronics

Largest Supplier of Electrical and Electronic Components

Click to view similar products for [Automotive Connectors](#) category:

Click to view products by [APTIV](#) manufacturer:

Other Similar products are found below :

[003-018-000](#) [60993906-B](#) [M902-2161](#) [M902-2344](#) [72.330.1035.1](#) [73.353.4028.0](#) [F166900](#) [F358300-B](#) [F407400](#) [776880-1](#) [827153-1](#)
[8N1515-32-24P](#) [9-1326729-8](#) [925474-1](#) [928905-1](#) [964562-4](#) [968782-1](#) [98891-1012](#) [12004475-L](#) [12041318-B](#) [12052466](#) [12064869](#)
[12015909](#) [1-21030-1](#) [12041318](#) [12047946-B](#) [12047957](#) [12110546-B](#) [12131792](#) [12092346](#) [HD34-18-14PT](#) [HD46-24-23SN-059](#)
[HDB36-24-16PN-059](#) [12185550](#) [12147304](#) [13681974](#) [13755420](#) [13783086](#) [13830674](#) [13832576](#) [13542772](#) [1393425-2](#) [13964573](#) [13846842](#)
[13869383](#) [13873308](#) [13953995](#) [1428188-1](#) [1437287-3](#) [1438231-5](#)