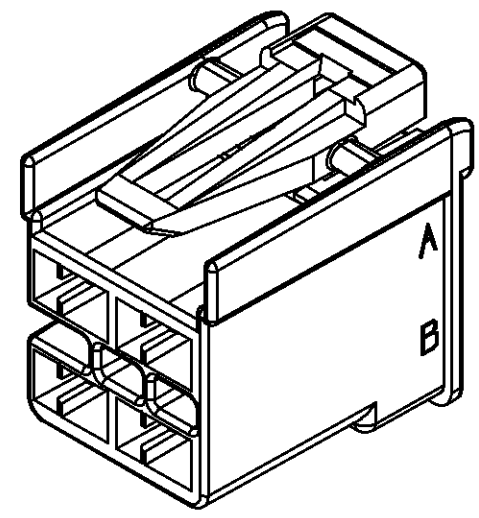
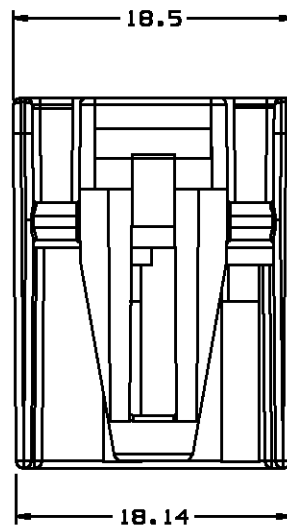
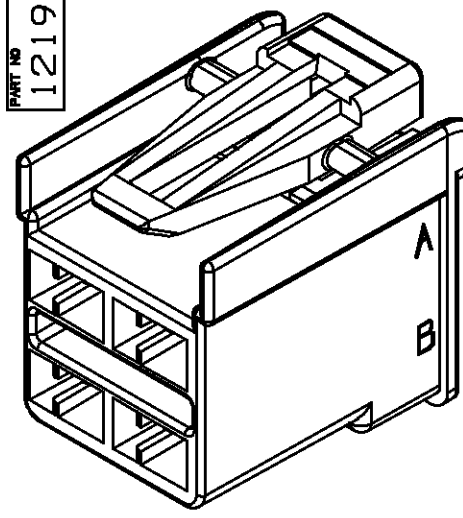


DO NOT SCALE

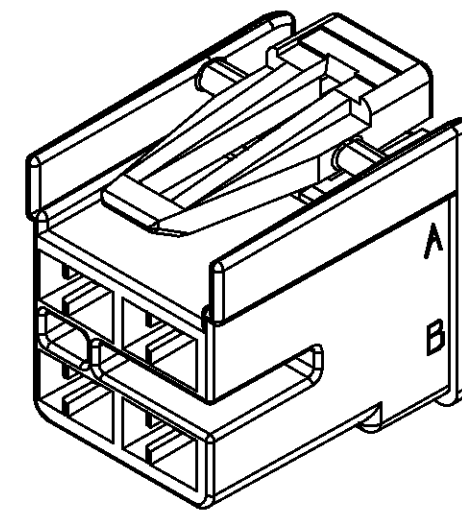
D



TYPE 104



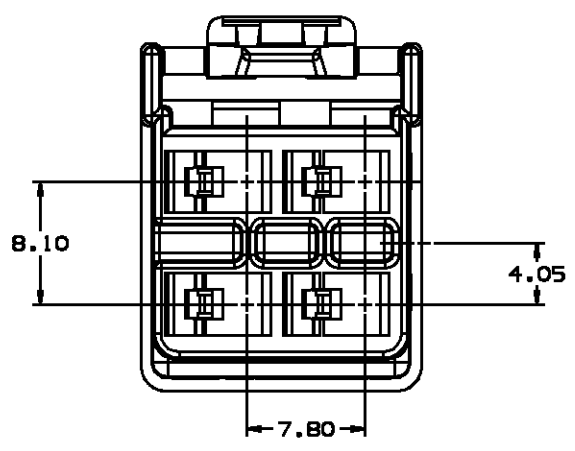
TYPE 102
SAME AS TYPE 104
EXCEPT AS SHOWN



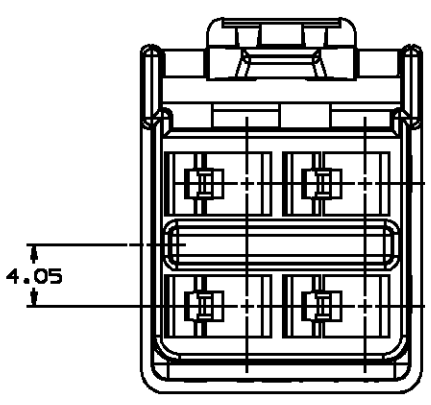
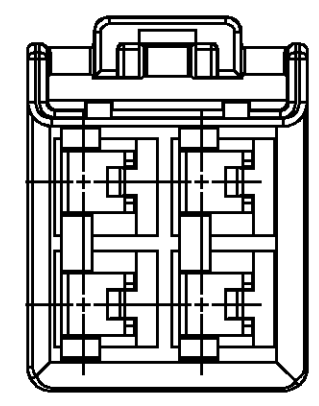
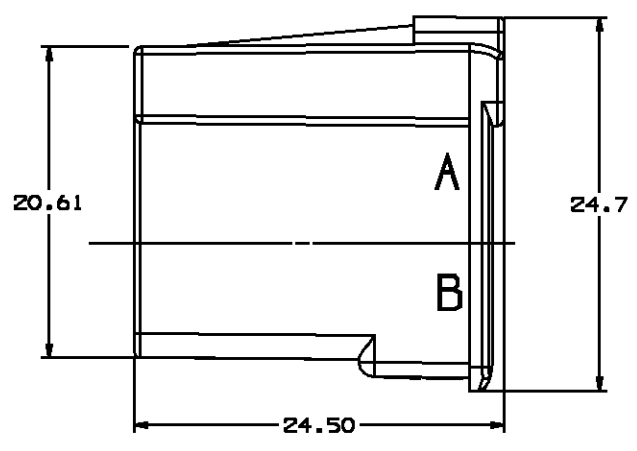
TYPE 103
SAME AS TYPE 104
EXCEPT AS SHOWN

PART NO
1219 4030

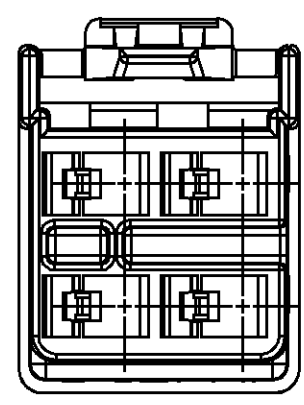
DATE	BY	REVISION RECORD	AUTH	DR	CR
28AU96		ALL PARTS - RELEASED			
		TO REV "A"	960005	881	JSB
23NO96		ALL PARTS, REVISED LOCK			
		AND INDEX TO REV "B"	176458	NJMM/JV	
20MY97		ALL PARTS - REVISED - NO			
		REV UPDATE REQ'D	178289	RJDR/D	
18AU97		ALL PARTS - PID UPDATE -			
		REV, LEVEL ADV. TO "C"	180542	DRR JS	
13OC97		12194031 OBSOLETE	970003	8AB/8AB	
13OC97		15319873 RELEASED TO REV			
		"A"	970005	8AB/8AB	
08AP98		UPDATED PDM ATTRIBUTES	185371	NJMM/JJ	



TYPE 104



TYPE 102
SAME AS TYPE 104
EXCEPT AS SHOWN



TYPE 103
SAME AS TYPE 104
EXCEPT AS SHOWN

NOTES:

- UNLESS OTHERWISE SPECIFIED AND/OR INDICATED: DIMENSIONS ARE TO FACE OF VIEW SHOWN AND AUTOMATICALLY ROUNDED BY COMPUTER FOR INSPECTION. (SEE MATH MODEL FOR PRECISE DIMENSION) FOR ALL OTHER DIMENSIONS NOT SHOWN BUT REQUIRED FOR TOOL BUILD, SEE MATH MODEL FOR PRECISE TOOL PATH DATA.
- MATING COMPONENTS:
1/P - MID UPPER HOUSING 12193936 & 12194013
CONNECTOR ACCEPTS 15303537 SECONDARY LOCK OR EQUIVALENT.
- CAVITIES ACCEPT 12110843 TERMINAL OR EQUIVALENT.
- CONNECTOR ENGAGE FORCE CODE 2.

PART NO
1219 4030

DRAWING TYPE	OTHER DRAWINGS AVAILABLE
PID	DETAIL
Utrographics II	METRIC
THIRD ANGLE PROJECTION	DIMENSIONS ARE IN MILLIMETERS UNLESS OTHERWISE SPECIFIED
	TOLERANCE UNLESS OTHERWISE SPECIFIED: RECTINAL: ANGULAR: ±2°
CODE NO 6900	ONE PLACE ±0.3 TWO PLACE ±0.15
DWG DATE 28AU96	DR G.G. TZOUERDO 28AU96
SCALE 4:1	CK JUAN GONZALEZ 28AU96
REFERENCE NO	APPR EYAL ALTMAN 16OC96
MATERIAL SPEC	VOL CM³ SEE CHART
SEE CHART	
NAME TAXI CONN 4F M/P 280 FLXLK	
PART NUMBER 1219 4030	SIZE A1

PART NO	REV	STATUS	TYPE	MATERIAL SPEC & COLOR	MATING HOUSING	VOLUME CM³
15319873	A		104	RO071787 PA66 HS IM-LT GRN	12193936 & 12194013	3.716
12194033	C		103	RO071714 PA66 HS IM-CRM	12193936 & 12194013	3.691
12194032	C		102	RO071791 PA66 HS IM-BRN	12193936 & 12194013	3.691
12194031	C	OBSOLETE	101	RO071754 PA66 HS IM-BLK	12193936 & 12194013	3.691

DELPHI PACKARD ELECTRIC SYSTEMS

X-ON Electronics

Largest Supplier of Electrical and Electronic Components

Click to view similar products for [Automotive Connectors](#) category:

Click to view products by [APTIV](#) manufacturer:

Other Similar products are found below :

[003-018-000](#) [60403001](#) [60993906-B](#) [629515004020001](#) [M902-2131](#) [M902-2161](#) [72.330.1035.1](#) [73.353.4028.0](#) [F119300-B](#) [F166900](#)
[F258300-B](#) [F358300-B](#) [F407400](#) [F444110](#) [F487000](#) [F509500B-B](#) [827153-1](#) [8N1515-32-24P](#) [9-1326729-8](#) [925474-1](#) [928905-1](#) [964562-4](#)
[968782-1](#) [GT17SA-8DS-HU](#) [98891-1012](#) [98947-1016](#) [12004475-L](#) [12010290](#) [12010309-B](#) [12015454](#) [12020219-B](#) [12020308](#) [12041318-B](#)
[12052225-L](#) [12052466](#) [12059125](#) [12064869](#) [12004327-B](#) [12010503-B](#) [12015308](#) [12015384](#) [12015909](#) [1-21030-1](#) [12041254](#) [12041318](#)
[12047946-B](#) [12047957](#) [12047957-L](#) [12059473](#) [12066261](#)