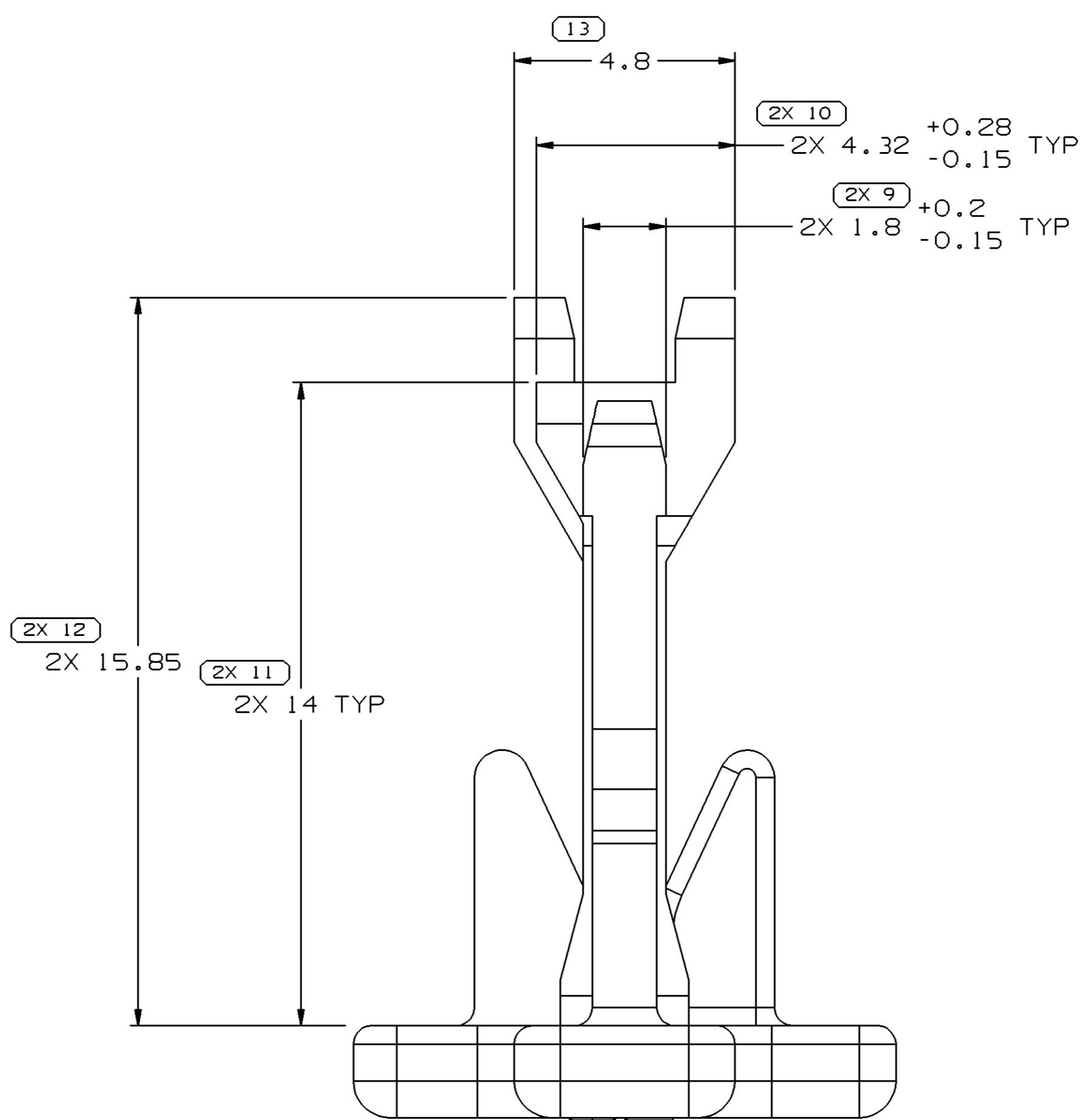
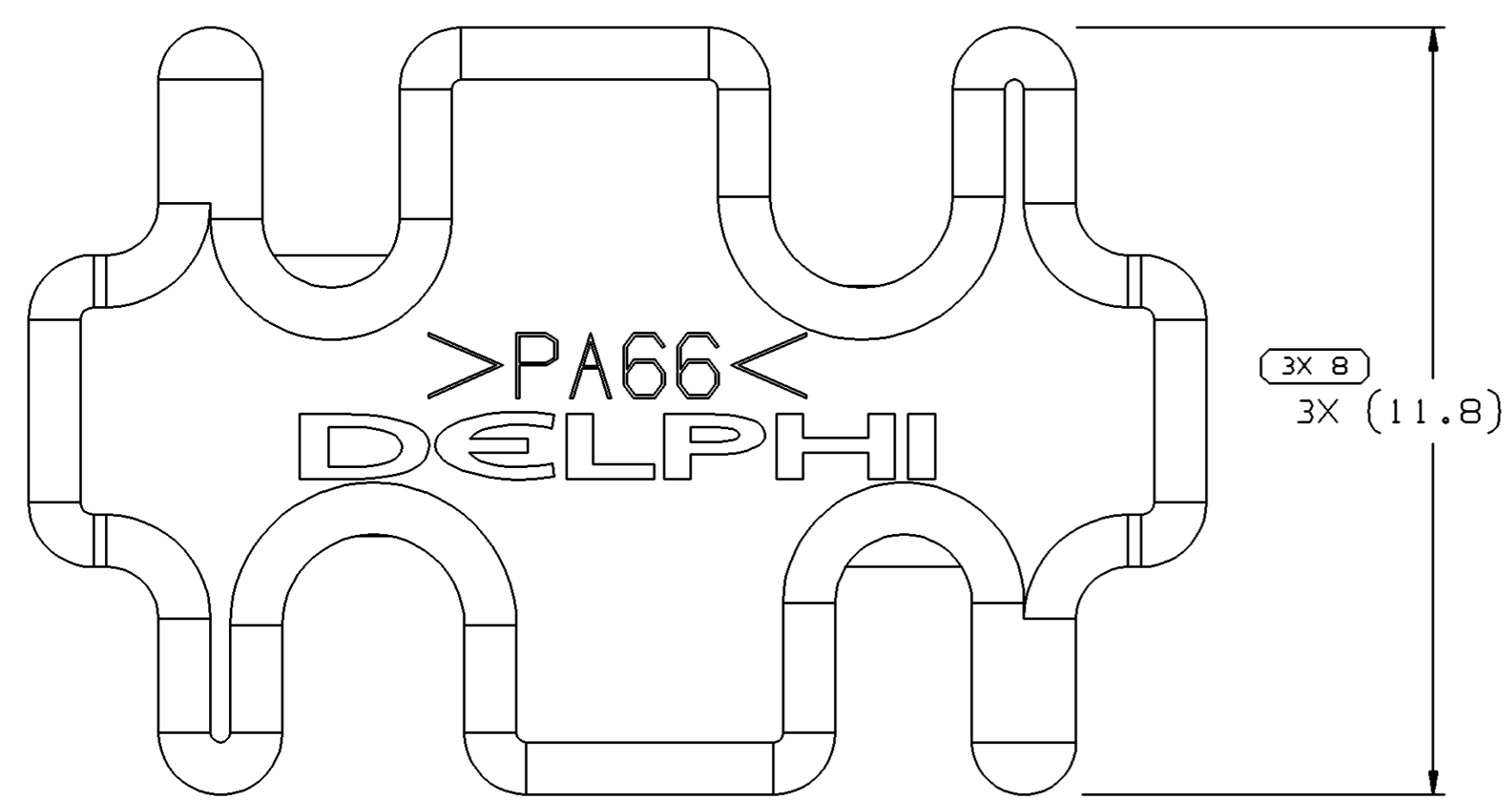
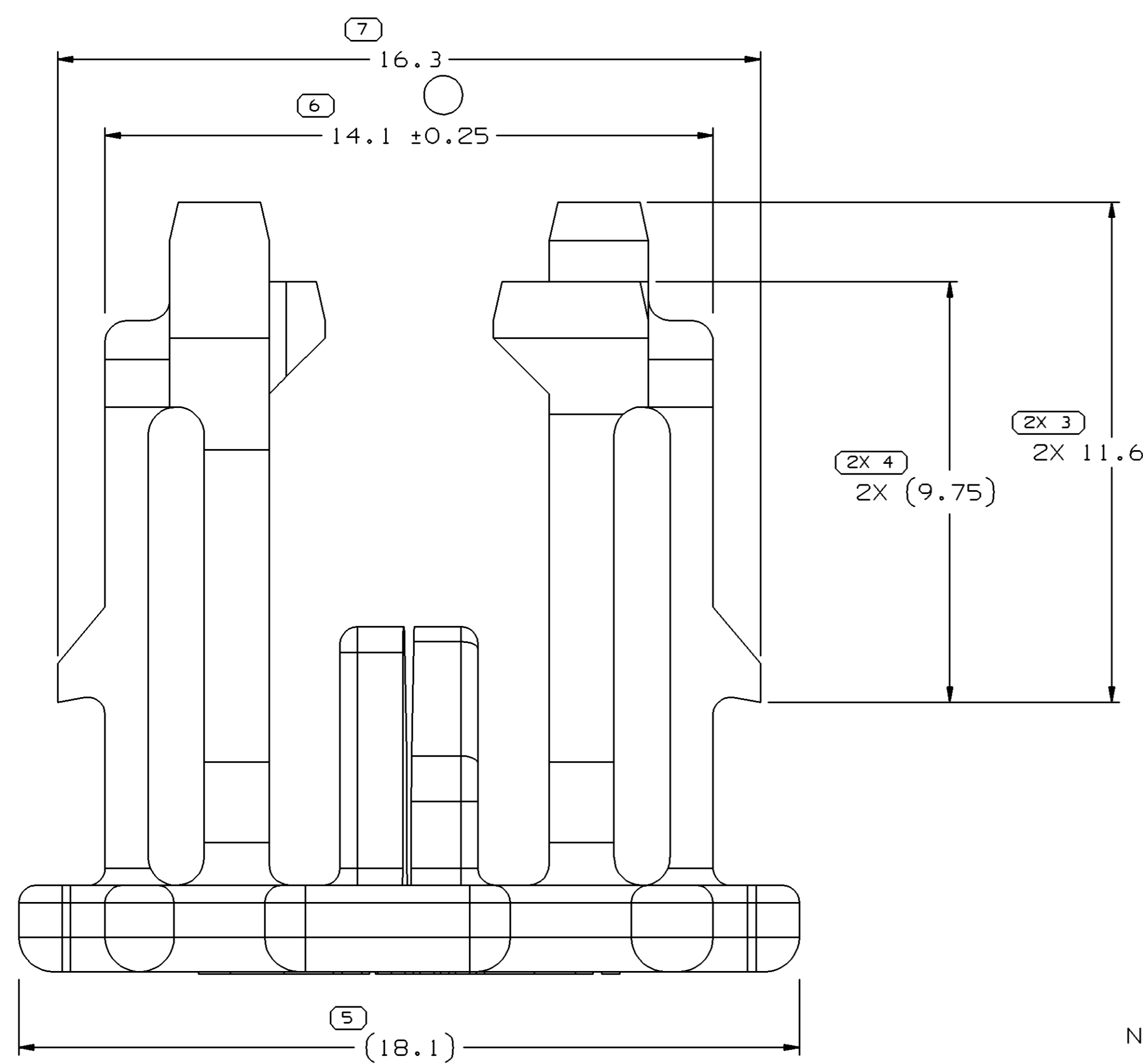
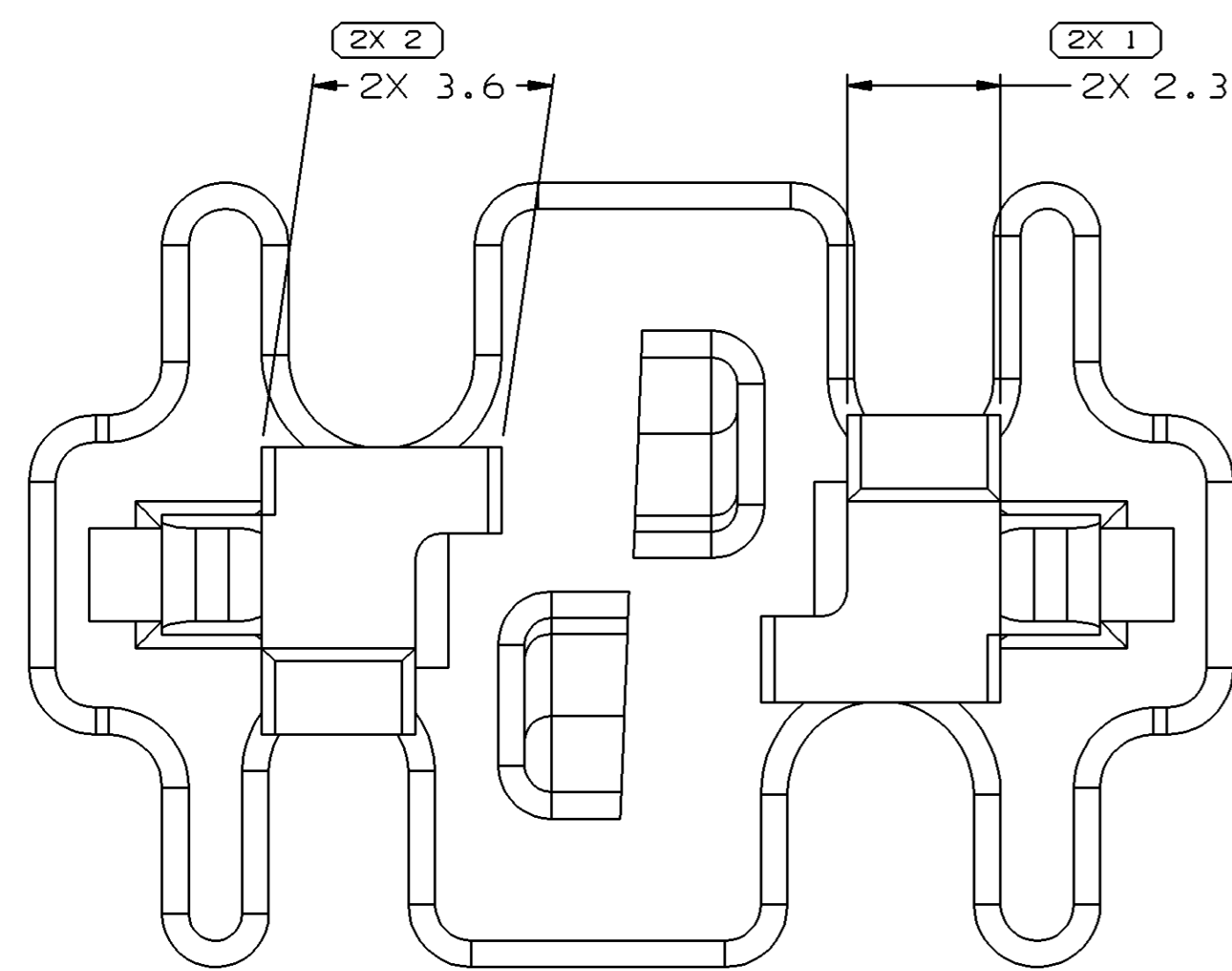
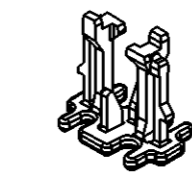


SYMBOL DEFINITION	
A DIMENSION WITHOUT AN INSPECTION REPORT SYMBOL () DOES NOT REQUIRE INSPECTION. IT MAY BE CONTROLLED ON THE INDIVIDUAL COMPONENT DRAWING.	TOTAL NO OF INSPECTIONS REQUIRED
	23
	LAST NO. USED
	13

MISSING SYMBOLS		DWG STATUS					REVISION HISTORY		AUTH	DR	APVD1	APVD2
DATE	STG	REV	N/P	CHG	ZONE							
11JA05	U	01	-	-		PD CREATED		263214	BRB	BRB	JCU	
06AP05	R	01	AA	-		REVISED TOL (2 PLCS) AND NOTES 2 & 5		266730	GPS	FRG	JCU	
09JN05	R	01	AB	-		REVISED TOL (1 PLC)		269146	JTV	FKV	RMF	



- NOTES
- UNLESS OTHERWISE SPECIFIED AND/OR INDICATED:
DIMENSIONS ARE TO FACE OF VIEW SHOWN AND AUTOMATICALLY ROUNDED BY COMPUTER FOR INSPECTION (SEE MATH MODEL FOR PRECISE DIMENSIONS). FOR ALL OTHER DIMENSIONS NOT SHOWN BUT REQUIRED FOR TOOL BUILD, SEE MATH MODEL FOR PRECISE TOOL PATH DATA.
 - MATERIAL RECYCLING CODE PER ISO 11469. (1)(X(0.05) CHARACTERS AS SHOWN TO BE LOCATED ON ANY EXTERIOR SURFACE. OPTIONAL CONSTRUCTION TO BE NO MATERIAL RECYCLING CODE.
 - THIS PART IS NOT CONTROLLED FOR AUTOMATIC FEEDING.
 - REFERENCE MATING COMPONENTS OR EQUIVALENT:
CONNECTOR 13517799
 - (1)(X(0.05) DELPHI CORPORATE BRAND TO BE LOCATED ON ANY EXTERIOR SURFACE, PREFERABLY VISIBLE AT FINAL ASSEMBLY. OPTIONAL CONSTRUCTION FOR EXISTING TOOLING MAY BE NO LOGO.



DIMENSIONAL RANGE (MM)		CHART E1	
FROM	TO	>20	>30
>0	>20	>30	>70
>20	>30	>70	>100
>30	>70	>100	>150
>70	>100	>150	>200
>100	>150	>200	>250
>150	>200	>250	>300
>200	>250	>300	>400
TOLERANCE UNLESS OTHERWISE SPECIFIED			
±0.15		±0.2	±0.3
±0.3		±0.4	±0.5
±0.5		±0.6	±0.8
±1		±1	±1.2
ANGULAR TOLERANCE ±2°			

DWG TYPE		PART DRAWING	
STYLE			
VOLUME (CM³)	DISTR CODE	D	
0.499			
UNLESS OTHERWISE SPECIFIED			
THIS DOCUMENT IS IN ACCORDANCE WITH ASME Y14.5M-1994 AS AMENDED BY THE GM GLOBAL DIMENSIONING AND TOLERANCING ADDENDUM-2001. SEPARATE PATTERNS OF FEATURES MAY BE GAGED SEPARATELY REGARDLESS OF DATUM REFERENCES.			
ALL DIMENSIONS ARE IN MILLIMETERS			
THIRD ANGLE PROJECTION			
DO NOT SCALE			
USE MATH DATA			

DELPHI
DELPHI PACKARD ELECTRIC SYSTEMS
WARREN, OH

DR	DATE
APVD1 BARRY BURNS	11JA05
APVD2 BARRY BURNS	11JA05
APVD3 J.C.URREA	14JA05
APVD4	
APVD5	

SUBSTANCES OF CONCERN AND RECYCLED CONTENT PER DELPHI 10949001

MATERIAL
M3592008 PA66 HS IM BLU

DRAWING NAME
LOCK TPA M/P MIXED 4 BLU

DRAWING NUMBER
13517800

SIZE	SCALE	FRAME NO	SHEET NO	STG	REV	N/P	AB
A1	10:1	1 OF 1	1 OF 1	R	01		

X-ON Electronics

Largest Supplier of Electrical and Electronic Components

Click to view similar products for [Automotive Connectors](#) category:

Click to view products by [APTIV](#) manufacturer:

Other Similar products are found below :

[003-018-000](#) [60993906-B](#) [M902-2131](#) [M902-2161](#) [M902-2344](#) [72.330.1035.1](#) [73.353.4028.0](#) [F166900](#) [F358300-B](#) [F407400](#) [776880-1](#)
[827153-1](#) [8N1515-32-24P](#) [9-1326729-8](#) [925474-1](#) [928905-1](#) [964562-4](#) [968782-1](#) [98891-1012](#) [12004475-L](#) [12020308](#) [12041318-B](#)
[12052466](#) [12064869](#) [12015909](#) [1-21030-1](#) [12041254](#) [12041318](#) [12047946-B](#) [12110546-B](#) [12131792](#) [12084688](#) [12092346](#) [HD34-18-14PT](#)
[HD46-24-23SN-059](#) [HDB36-24-16PN-059](#) [HDP26-24-9SE-L015](#) [12185280](#) [12185550](#) [12336-12](#) [12191172-B](#) [12S](#) [13545280](#) [13577943](#)
[13681974](#) [13737722-B](#) [13830674](#) [13832576](#) [13849772](#) [13542772](#)