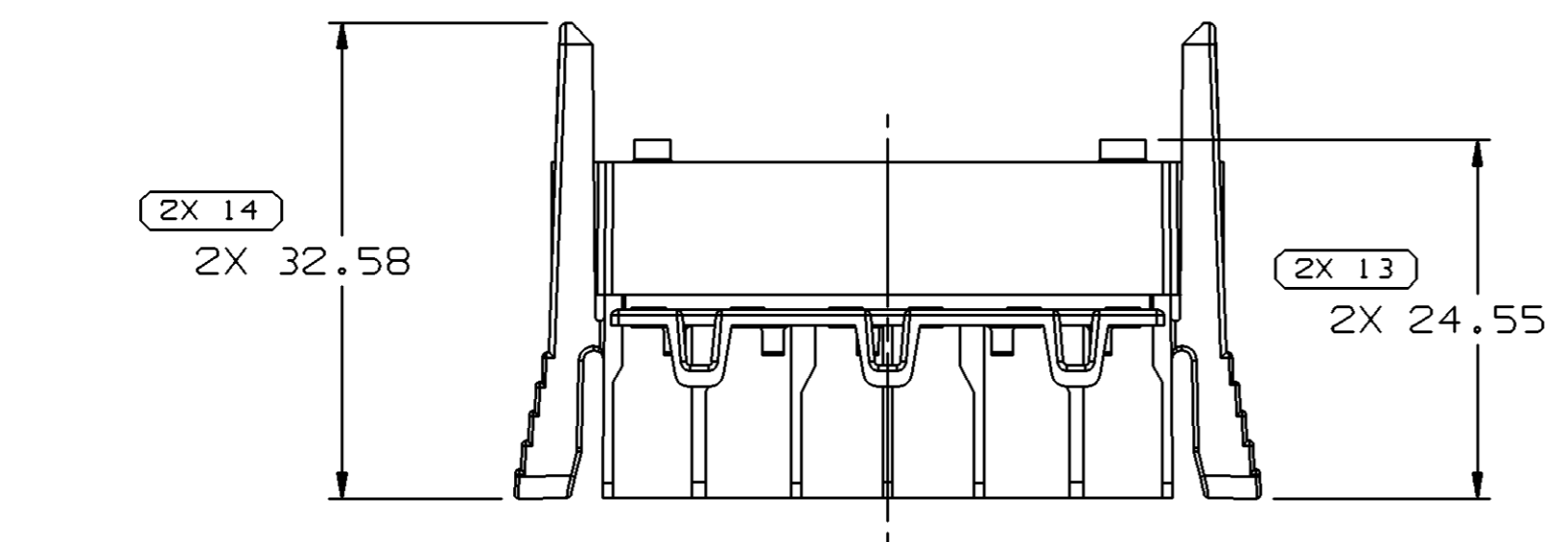
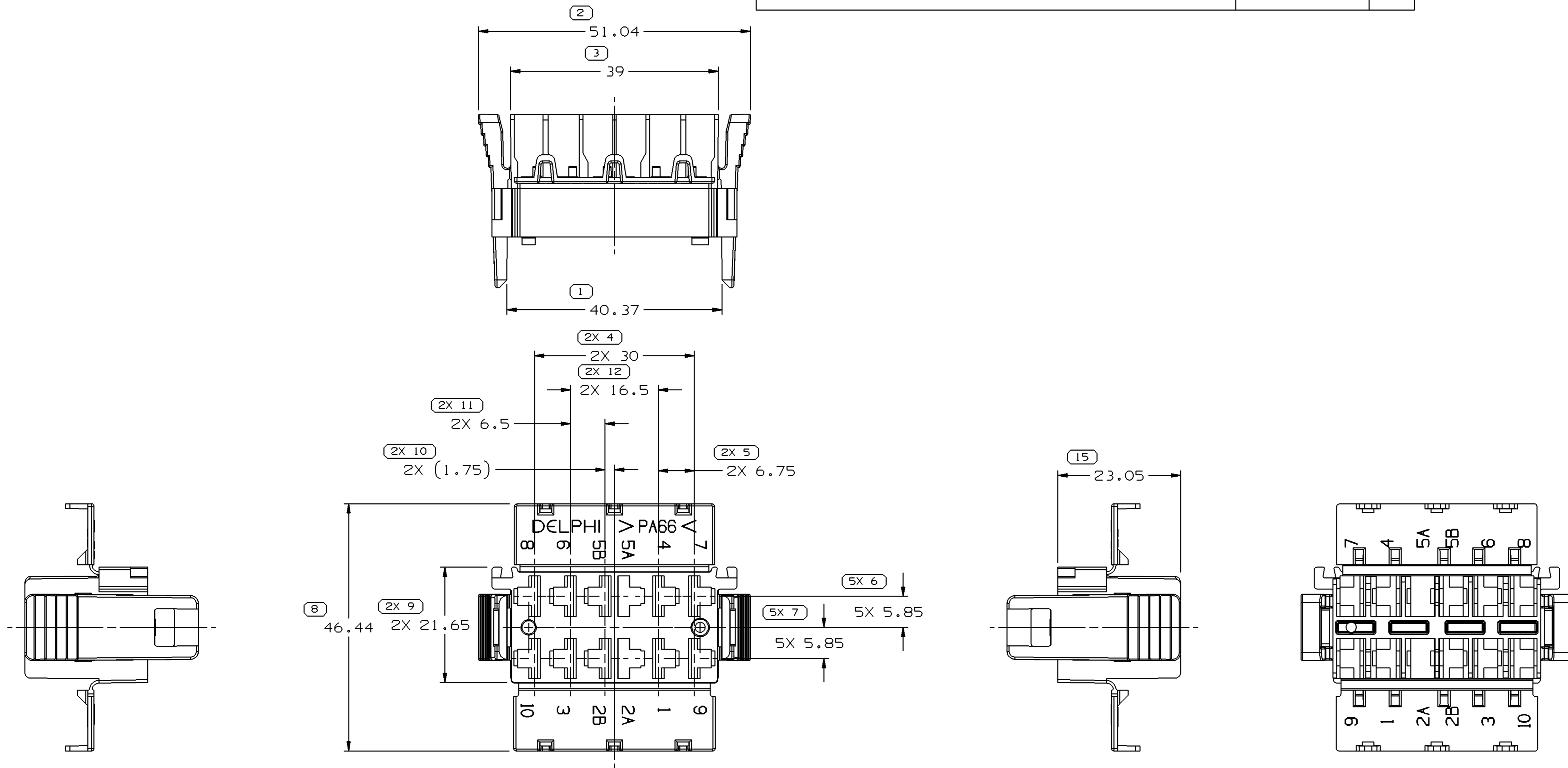


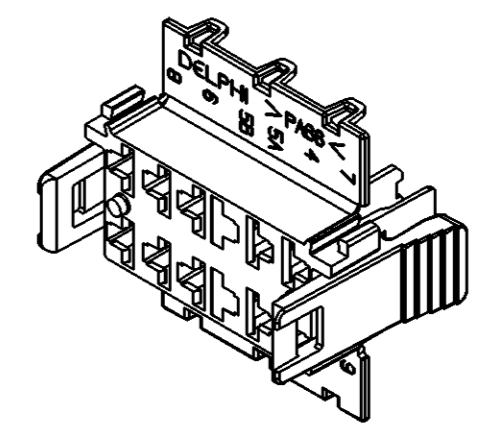
SYMBOL DEFINITION	
A DIMENSION WITHOUT AN INSPECTION REPORT SYMBOL () DOES NOT REQUIRE INSPECTION. IT MAY BE CONTROLLED ON THE INDIVIDUAL COMPONENT DRAWING.	TOTAL NO OF INSPECTIONS REQUIRED
	31
	LAST NO. USED
	15

MISSING SYMBOLS					DWG STATUS					REVISION HISTORY			AUTH		DR		APVD	
DATE	STG	REV	N/P	CHG	DATE	STG	REV	N/P	CHG	ZONE	REVISION HISTORY			AUTH	DR	APVD1	APVD2	
21FE05	R	01	-	-							WAS PE134130 AND RELEASED			264955	MAC	MAC	LMN	



NOTES

- UNLESS OTHERWISE SPECIFIED AND/OR INDICATED:
DIMENSIONS ARE TO FACE OF VIEW SHOWN AND AUTOMATICALLY ROUNDED BY COMPUTER FOR INSPECTION (SEE MATH MODEL FOR PRECISE DIMENSIONS). FOR ALL OTHER DIMENSIONS NOT SHOWN BUT REQUIRED FOR TOOL BUILD, SEE MATH MODEL FOR PRECISE TOOL PATH DATA.
- SEALING CODE 0 - UNSEALED
- MATERIAL RECYCLING CODE PER ISO 11469. (2.3)X(0.1) CHARACTERS AS SHOWN TO BE LOCATED ON ANY EXTERIOR SURFACE.
- (2.3)X(0.1) DELPHI CORPORATE BRAND TO BE LOCATED ON ANY EXTERIOR SURFACE, PREFERABLY VISIBLE AT FINAL ASSEMBLY. OPTIONAL CONSTRUCTION TO BE "PED".
- THIS PART IS NOT CONTROLLED FOR AUTOMATIC FEEDING.
- THIS PART ACCEPTS THE FOLLOWING COMPONENTS OR EQUIVALENT:
TERMINAL 12015870
MAX INSULATION CRIMP MUST BE LESS THAN 5.65 HIGH AND 7.5 WIDE.
- THIS PART TO HAVE SURFACE FINISH SPI 6.



DIMENSIONAL RANGE (MM)		CHART E1	
FROM	TO	>20	>30
>0	>20	±0.15	±0.2
>20	>30	±0.3	±0.4
>30	>70	±0.4	±0.5
>70	>100	±0.5	±0.6
>100	>150	±0.6	±0.8
>150	>200	±1	±1.2
>200	>250		
>250	>300		
>300	>400		

DWG TYPE PART DRAWING	
STYLE	
VOLUME (CM³) 9.322	DISTR CODE D
UNLESS OTHERWISE SPECIFIED THIS DOCUMENT IS IN ACCORDANCE WITH ASME Y14.5-1994. RULE #1 (PERFECT FORM AT MMC) DOES NOT APPLY WHEN RELATIONSHIP BETWEEN FEATURES IS ESTABLISHED BY ORIENTATION OR LOCATION TOLERANCES AT MMC. SEPARATE PATTERNS OF FEATURES MAY BE GAGED SEPARATELY. REGARDLESS OF DATUM REFERENCES, DIMENSIONS APPLY AFTER HEAT TREAT AND SURFACE COATINGS.	
ALL DIMENSIONS ARE IN MILLIMETERS	
THIRD ANGLE PROJECTION	DO NOT SCALE
USE MATH DATA	UNIGRAPHICS

DELPHI	
DELPHI PACKARD ELECTRIC SYSTEMS WARREN, OH	
DR	DATE
APVD1 M. CHRESTAY	21FE05
APVD2 M. CHRESTAY	21FE05
APVD3 LISA NEMTZ	24FE05
APVD4	
APVD5	
SUBSTANCES OF CONCERN AND RECYCLED CONTENT PER DELPHI 10949001	
MATERIAL M3592001 PLAS PA66 HS 1M BLK	
DRAWING NAME CONN 10 F M/P 630 BLK	
DRAWING NUMBER 13522995	
SIZE A1	SCALE 2:1
FRAME NO 1 OF 1	SHEET NO 1 OF 1
STG R	REV 01
N/P -	

X-ON Electronics

Largest Supplier of Electrical and Electronic Components

Click to view similar products for [Automotive Connectors](#) category:

Click to view products by [APTIV](#) manufacturer:

Other Similar products are found below :

[003-018-000](#) [60993906-B](#) [M902-2131](#) [M902-2161](#) [M902-2344](#) [72.330.1035.1](#) [73.353.4028.0](#) [F166900](#) [F358300-B](#) [F407400](#) [776880-1](#)
[827153-1](#) [8N1515-32-24P](#) [9-1326729-8](#) [925474-1](#) [928905-1](#) [964562-4](#) [968782-1](#) [98891-1012](#) [12004475-L](#) [12020308](#) [12041318-B](#)
[12052466](#) [12064869](#) [12015909](#) [1-21030-1](#) [12041254](#) [12041318](#) [12047946-B](#) [12110546-B](#) [12131792](#) [12084688](#) [12092346](#) [HD34-18-14PT](#)
[HD46-24-23SN-059](#) [HDB36-24-16PN-059](#) [HDP26-24-9SE-L015](#) [12185280](#) [12185550](#) [12336-12](#) [12191172-B](#) [12S](#) [13545280](#) [13577943](#)
[13681974](#) [13737722-B](#) [13830674](#) [13832576](#) [13849772](#) [13542772](#)