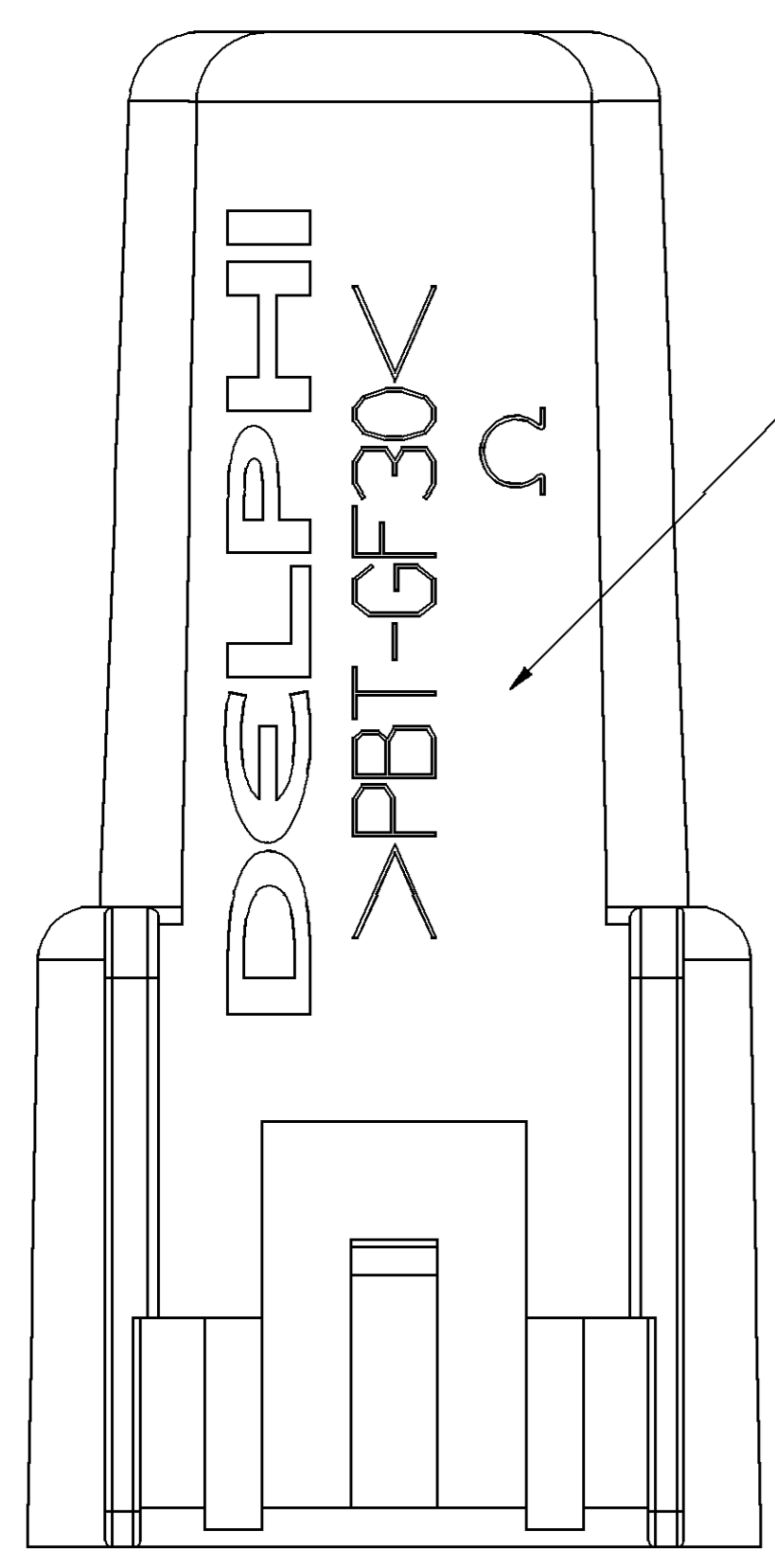
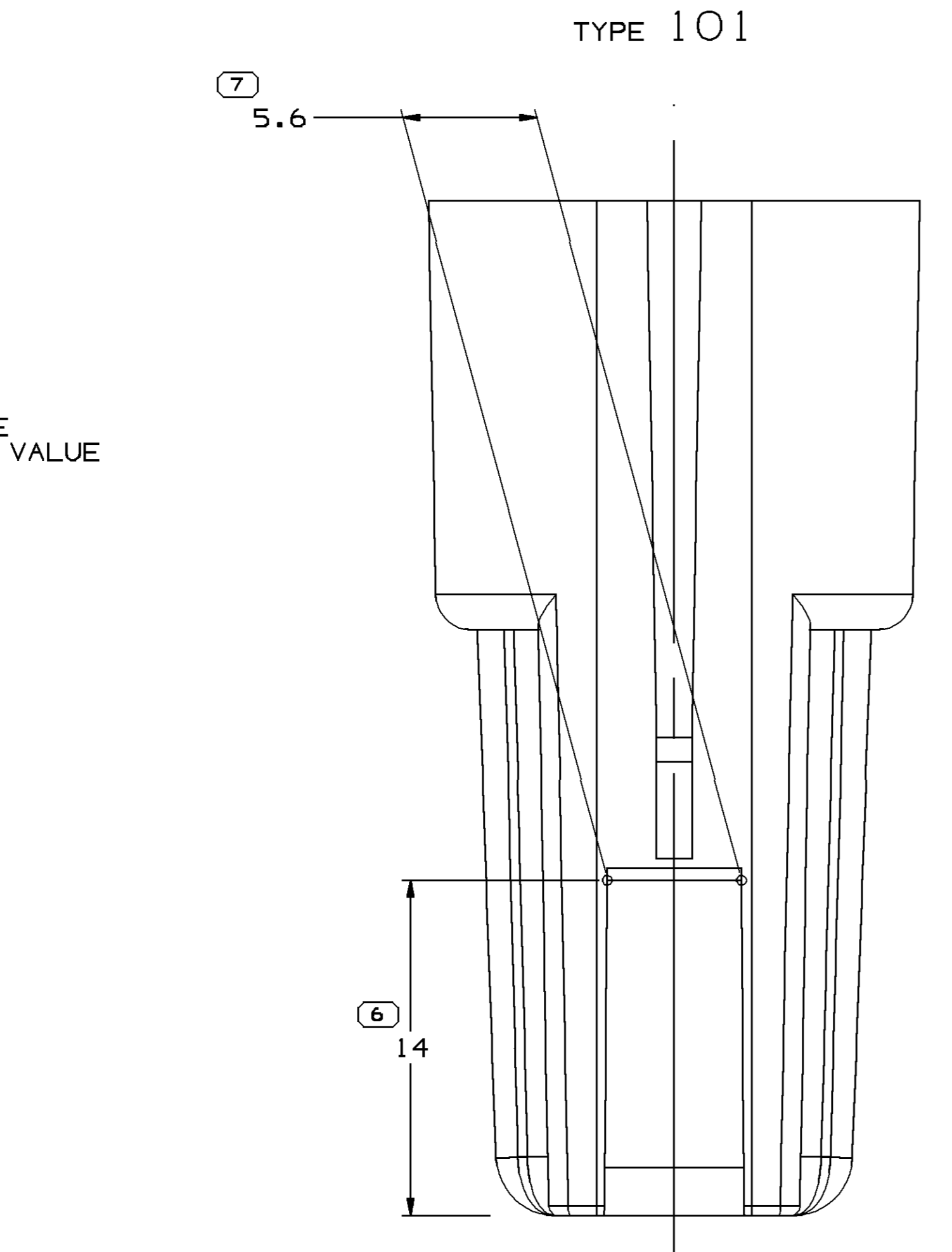
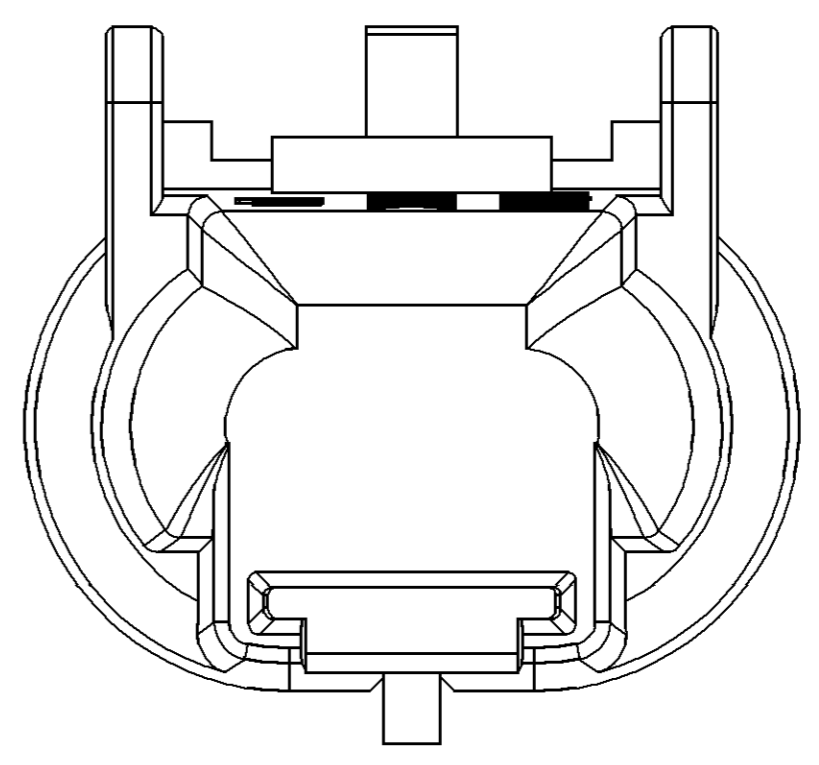
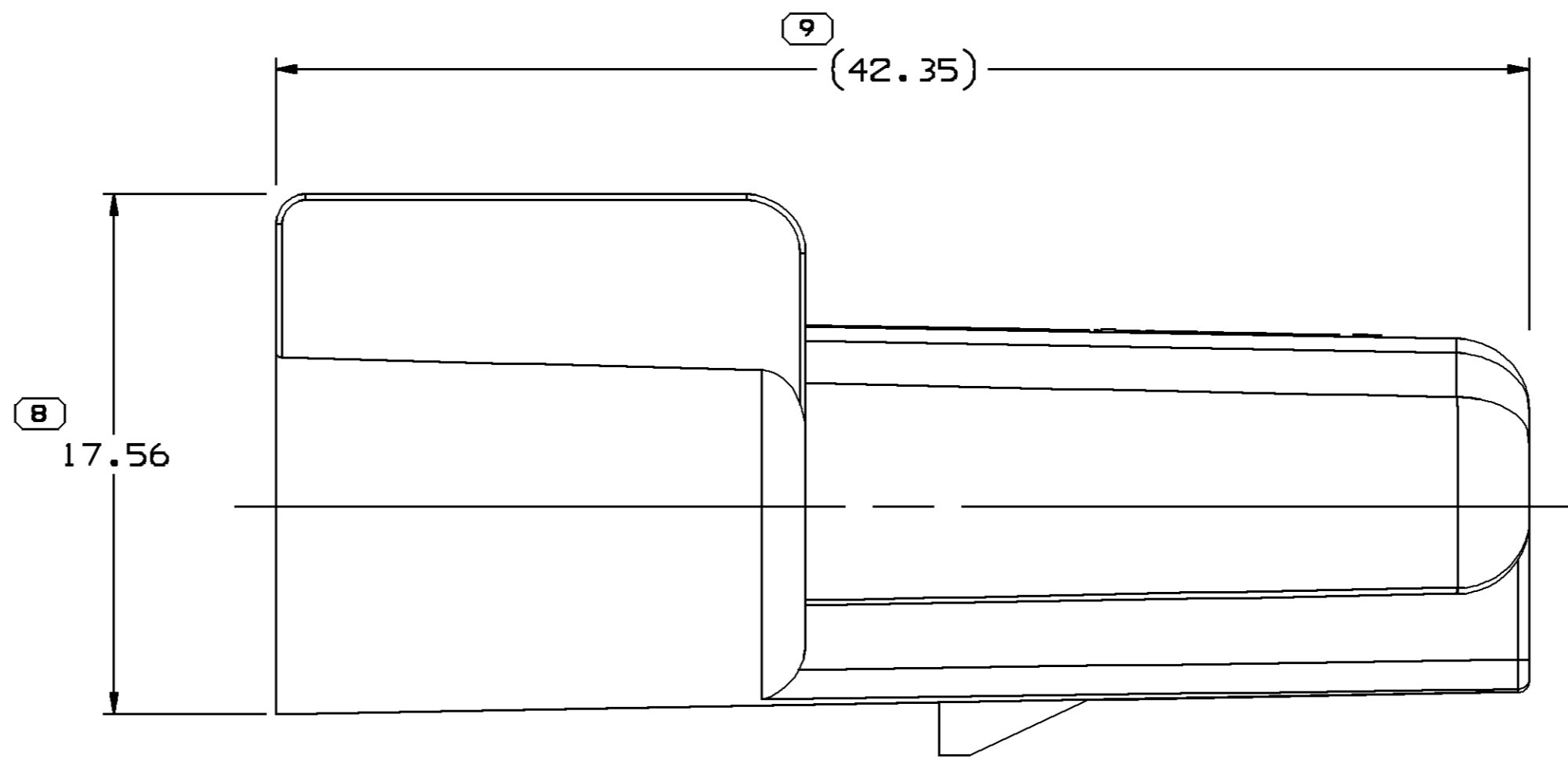
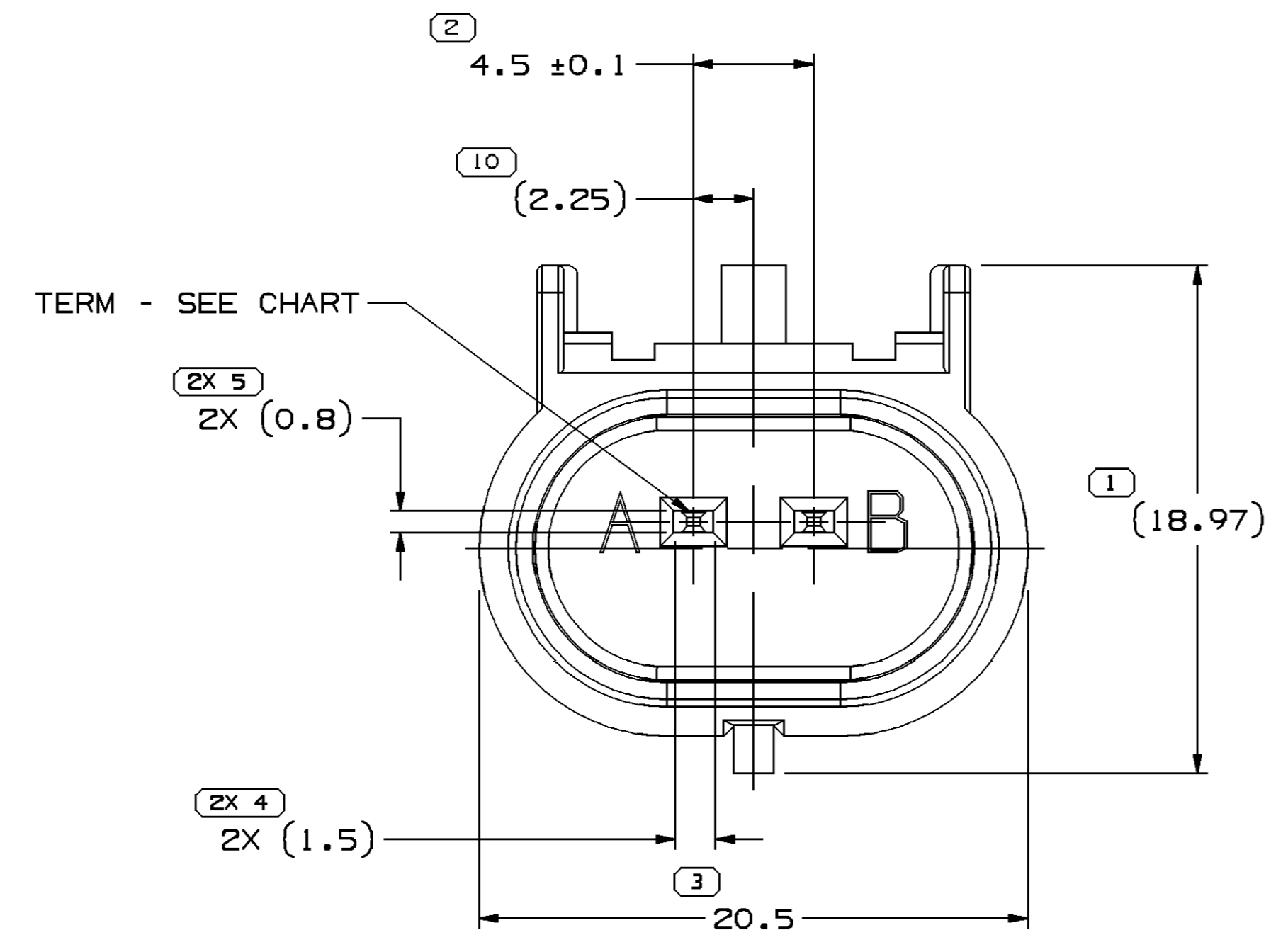
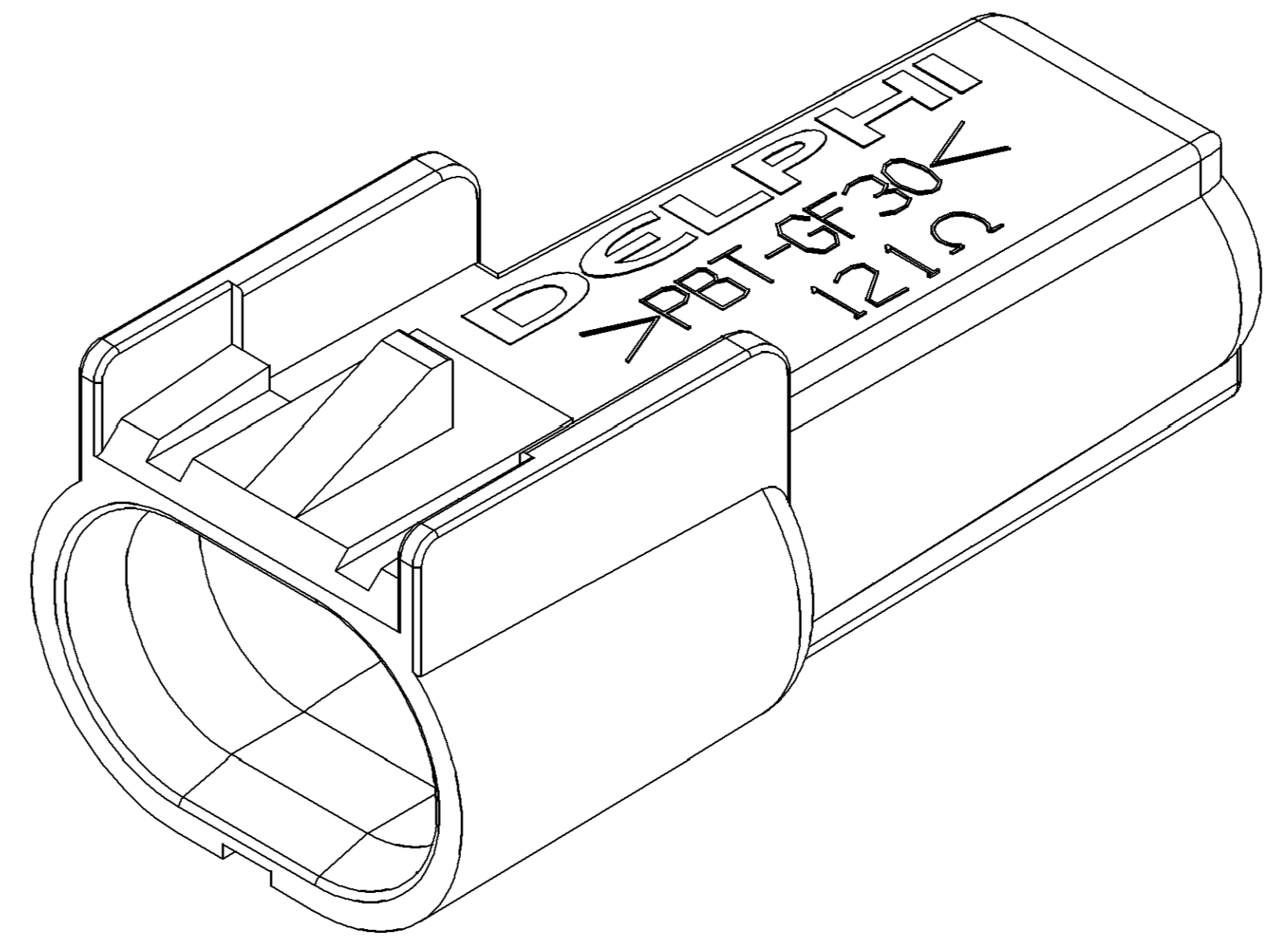
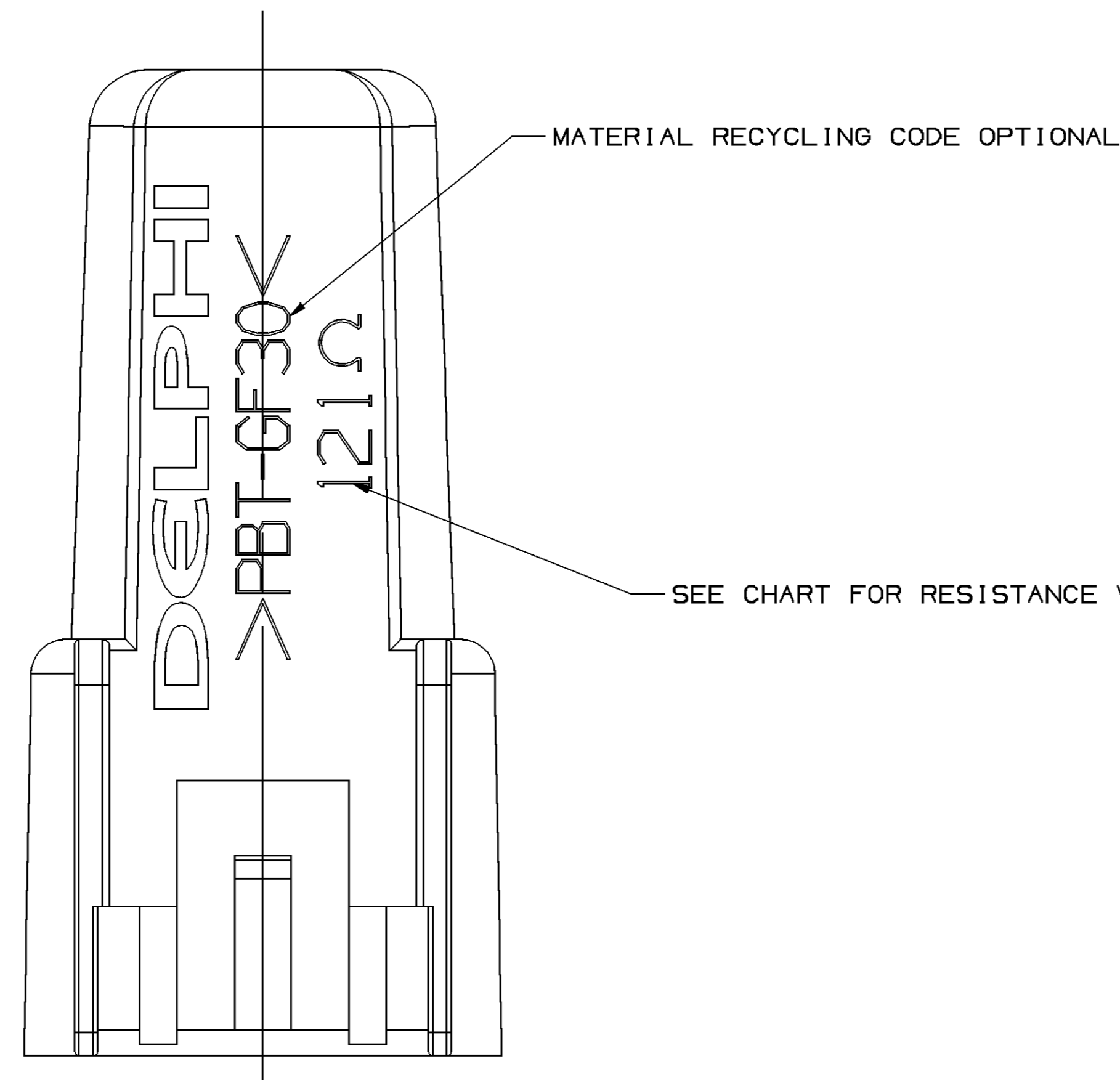


| SYMBOL DEFINITION  |               | TOTAL NO OF INSPECTIONS REQUIRED | MISSING SYMBOLS          |
|--|---------------|----------------------------------|--------------------------|
| A DIMENSION WITHOUT AN INSPECTION REPORT SYMBOL DOES NOT REQUIRE INSPECTION. IT MAY BE CONTROLLED ON THE INDIVIDUAL COMPONENT DRAWING. |               | 12                               | NO MISSING SYMBOL NUMBER |
|  | LAST NO. USED | 10                               |                          |

| DATE    | STG | REV | N/P | CHG | ZONE | REVISION HISTORY  | AUTH   | DR  | AP/VD |     |
|---------|-----|-----|-----|-----|------|---|--------|-----|-------|-----|
| 29JUL05 | R   | 01  | -   | -   | -    | 15459045 - MOVED TO TAXI; ALL PARTS - RELEASED  | 270573 | AKJ | AKJ   | RC  |
| 04NOV05 | R   | 02  | -   | -   | -    | ALL PARTS - ADDED TYPE 101  | 273978 | MM  | MM    | RC  |
| 12JUL06 | R   | 03  | -   | -   | -    | ALL PARTS - UPDATED PDM ATTRIBUTES  | 282292 | MM  | MM    | RC  |
| 28AUG06 | R   | 04  | -   | -   | -    | 15429045 - ADDED 13549070 RESISTOR & REMOVED 15455931 TERM/RESISTOR ASM<br>13534887 - RESISTOR WAS 13534629;<br>13534888 - RESISTOR WAS 13534630;<br>13534889 - RESISTOR WAS 13534631;<br>13534890 - RESISTOR WAS 13534632;<br>13534891 - RESISTOR WAS 13534633;<br>13534892 - RESISTOR WAS 13534634;<br>13534893 - RESISTOR WAS 13534635;<br>13534894 - RESISTOR WAS 13534636;<br>13534895 - RESISTOR WAS 13534637;<br>ALL PARTS - REMOVED TERM/RESISTOR ASM HEADER FROM THE CHART | 283575 | EES | EES   | GR  |
| 20SEP06 | R   | 05  | -   | -   | -    | ALL PARTS - UPDATED PDM ATTRIBUTES  | 284867 | JTZ | FRG   | REB |
| 11JUN07 | R   | 06  | -   | -   | -    | ALL PARTS - REVISED TERMINAL GRAPHICS TO LATEST REVISION  | 401644 | RH  | RH    | GR  |



TYPE 102  
SAME AS TYPE 101 EXCEPT AS SHOWN

NOTES

- UNLESS OTHERWISE SPECIFIED AND/OR INDICATED:  
DIMENSIONS ARE TO FACE OF VIEW SHOWN AND AUTOMATICALLY ROUNDED BY COMPUTER FOR INSPECTION. (SEE MATH MODEL FOR PRECISE DIMENSIONS.) FOR ALL OTHER DIMENSIONS NOT SHOWN BUT REQUIRED FOR TOOL BUILD, SEE MATH MODEL FOR PRECISE TOOL PATH DATA.
- REFERENCE MATING COMPONENTS OR EQUIVALENT:  
CONNECTOR 13510085  
TERMINAL 15326426. FEMALE TERMINAL MUST HAVE GOLD PLATED TERMINAL CONTACT AREA.
- MATERIAL RECYCLING CODE PER ISO 11469. (2.31X10.1) CHARACTERS AS SHOWN TO BE LOCATED ON ANY EXTERIOR SURFACE.
- (2.31X10.1) DELPHI CORPORATE BRAND TO BE LOCATED ON ANY EXTERIOR SURFACE, PREFERABLY VISIBLE AT FINAL ASSEMBLY. OPTIONAL CONSTRUCTION FOR EXISTING TOOLING MAY BE "PED".
- THIS PRODUCT IS NOT CATEGORIZED AS AN APPEARANCE ITEM, MINOR IMPERFECTIONS INCLUDING, BUT NOT LIMITED TO, FLOW MARKS, COLOR BLEMISHES, GATE VESTIGE, AND SOFT FLASH THAT DO NOT AFFECT THE FIT, FORM, OR FUNCTION OF THE PART ARE PERMISSIBLE PER NAP 4.10-18.

| PART NO  | REV | N/P | TYPE | TERMINAL | RESISTOR | RESISTANCE VALUE (OHMS ±1%) | MATERIAL SPECIFICATION AND COLOR | VOLUME CM <sup>3</sup> |
|----------|-----|-----|------|----------|----------|-----------------------------|----------------------------------|------------------------|
| 13534895 | 04  | -   | 102  | 15455930 | 13589069 | 12,700                      | POLYESTER COMPOUND BLK           | 5.844                  |
| 13534894 | 04  | -   | 102  | 15455930 | 13589068 | 7320                        | POLYESTER COMPOUND BLK           | 5.844                  |
| 13534893 | 04  | -   | 102  | 15455930 | 13589067 | 3160                        | POLYESTER COMPOUND BLK           | 5.844                  |
| 13534892 | 04  | -   | 102  | 15455930 | 13589066 | 1820                        | POLYESTER COMPOUND BLK           | 5.844                  |
| 13534891 | 04  | -   | 102  | 15455930 | 13589065 | 1150                        | POLYESTER COMPOUND BLK           | 5.844                  |
| 13534890 | 04  | -   | 102  | 15455930 | 13589064 | 715                         | POLYESTER COMPOUND BLK           | 5.844                  |
| 13534889 | 04  | -   | 102  | 15455930 | 13589063 | 453                         | POLYESTER COMPOUND BLK           | 5.844                  |
| 13534888 | 04  | -   | 102  | 15455930 | 13589062 | 255                         | POLYESTER COMPOUND BLK           | 5.844                  |
| 13534887 | 04  | -   | 102  | 15455930 | 13589061 | 115                         | POLYESTER COMPOUND BLK           | 5.844                  |
| 15429045 | 04  | -   | 101  | 15455930 | 13589070 | 121                         | POLYESTER COMPOUND BLK           | 5.844                  |

|                                      |      |                        |              |
|--------------------------------------|------|------------------------|--------------|
| DIMENSIONAL RANGE (MM)               |      | THIRD ANGLE PROJECTION | DO NOT SCALE |
| FROM                                 | TO   |                        |              |
| 10                                   | 400  |                        |              |
| TOLERANCE UNLESS OTHERWISE SPECIFIED |      | USE MATH DATA          |              |
| ±0.15                                | ±0.2 | ±0.3                   | ±0.4         |
| ±0.5                                 | ±0.6 | ±0.8                   | ±1.2         |
| ANGULAR TOLERANCE 2°                 |      |                        |              |

**DELPHI**  
DELPHI PACKARD ELECTRICAL/ELECTRONIC ARCHITECTURE  
NAPER, IL

|                        |         |
|------------------------|---------|
| DR                     | DATE    |
| APV01 ANAND JAGANATHAN | 29JUL05 |
| APV02 ANAND JAGANATHAN | 29JUL05 |
| APV03 RANDY CVELBAR    | 29JUL05 |
| APV04                  |         |
| APV05                  |         |

THIS DOCUMENT IS IN ACCORDANCE WITH ASME Y14.5M-1994 AS AMENDED BY THE IN-SITU DIMENSIONING AND TOLERANCE ADDENDUMS. SEPARATE WRITINGS OR FEATURES MAY BE BASED SEPARATELY PER POLICE OF DATUM REFERENCES.

ALL DIMENSIONS ARE IN MILLIMETERS

UNLESS OTHERWISE SPECIFIED

THIS PRODUCT IS NOT CATEGORIZED AS AN APPEARANCE ITEM, MINOR IMPERFECTIONS INCLUDING, BUT NOT LIMITED TO, FLOW MARKS, COLOR BLEMISHES, GATE VESTIGE, AND SOFT FLASH THAT DO NOT AFFECT THE FIT, FORM, OR FUNCTION OF THE PART ARE PERMISSIBLE PER NAP 4.10-18.

DRAWING NAME  
TAXI ASM CONN M GT 150 SENSOR

DRAWING NUMBER  
**13534897**

SCALE: 5:1  
FRM: 1 OF 1  
SHT: 1 OF 1  
REV: R  
N/P: 06

## X-ON Electronics

Largest Supplier of Electrical and Electronic Components

*Click to view similar products for [Automotive Connectors](#) category:*

*Click to view products by [APTIV](#) manufacturer:*

Other Similar products are found below :

[003-018-000](#) [60993906-B](#) [M902-2131](#) [M902-2161](#) [M902-2344](#) [72.330.1035.1](#) [73.353.4028.0](#) [F166900](#) [F358300-B](#) [F407400](#) [776880-1](#)  
[827153-1](#) [8N1515-32-24P](#) [9-1326729-8](#) [925474-1](#) [928905-1](#) [964562-4](#) [968782-1](#) [98891-1012](#) [12004475-L](#) [12020308](#) [12041318-B](#)  
[12052466](#) [12064869](#) [12015909](#) [1-21030-1](#) [12041254](#) [12041318](#) [12047946-B](#) [12110546-B](#) [12131792](#) [12084688](#) [12092346](#) [HD34-18-14PT](#)  
[HD46-24-23SN-059](#) [HDB36-24-16PN-059](#) [HDP26-24-9SE-L015](#) [12185280](#) [12185550](#) [12336-12](#) [12191172-B](#) [12S](#) [13545280](#) [13577943](#)  
[13681974](#) [13737722-B](#) [13830674](#) [13832576](#) [13849772](#) [13542772](#)