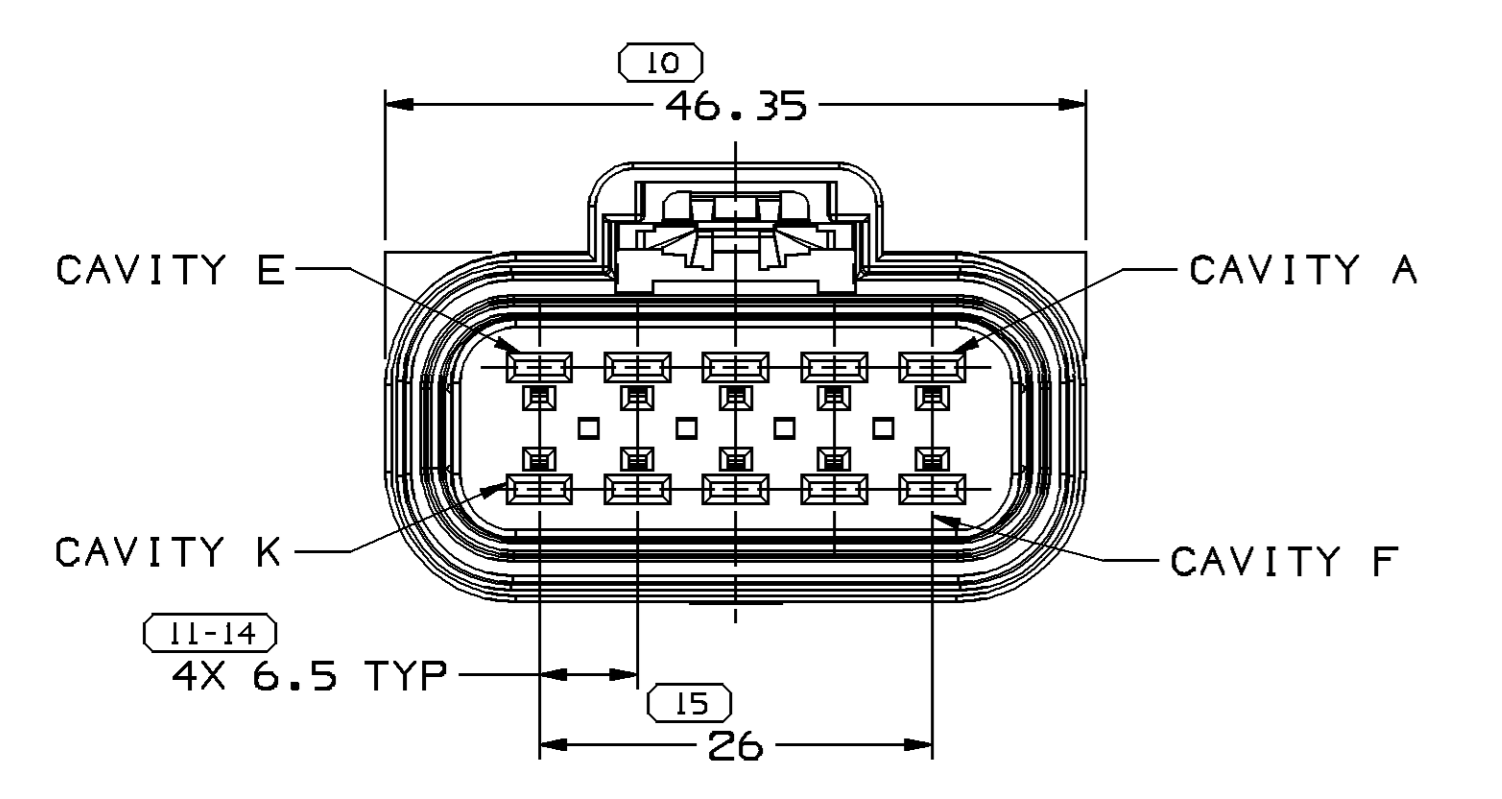
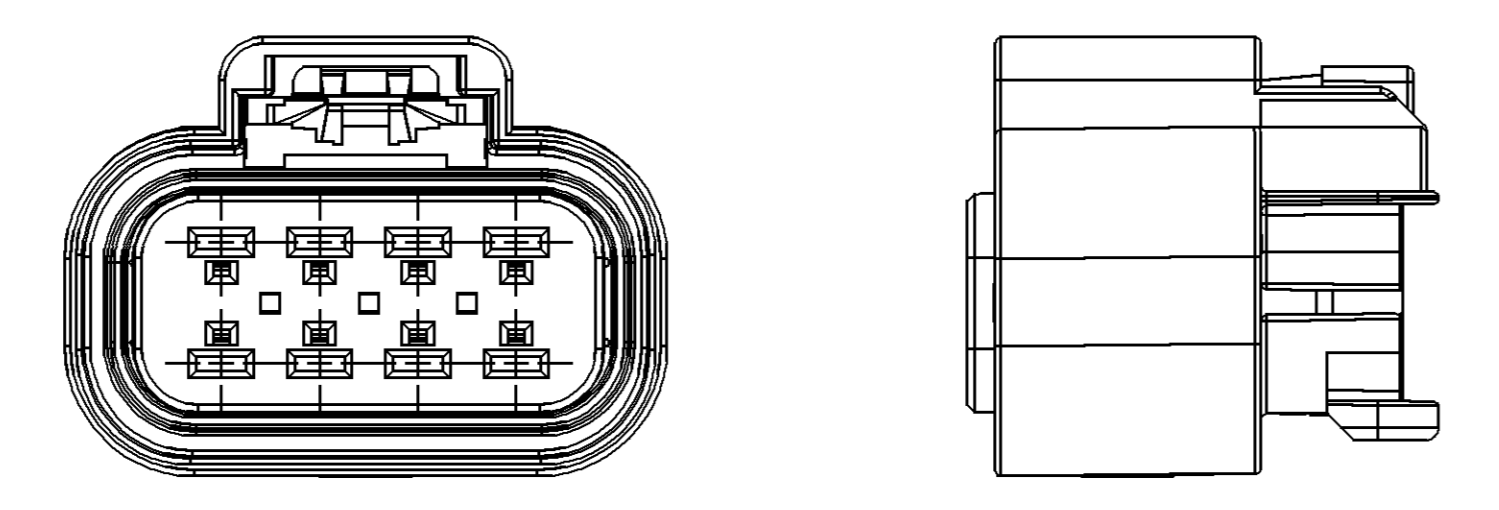


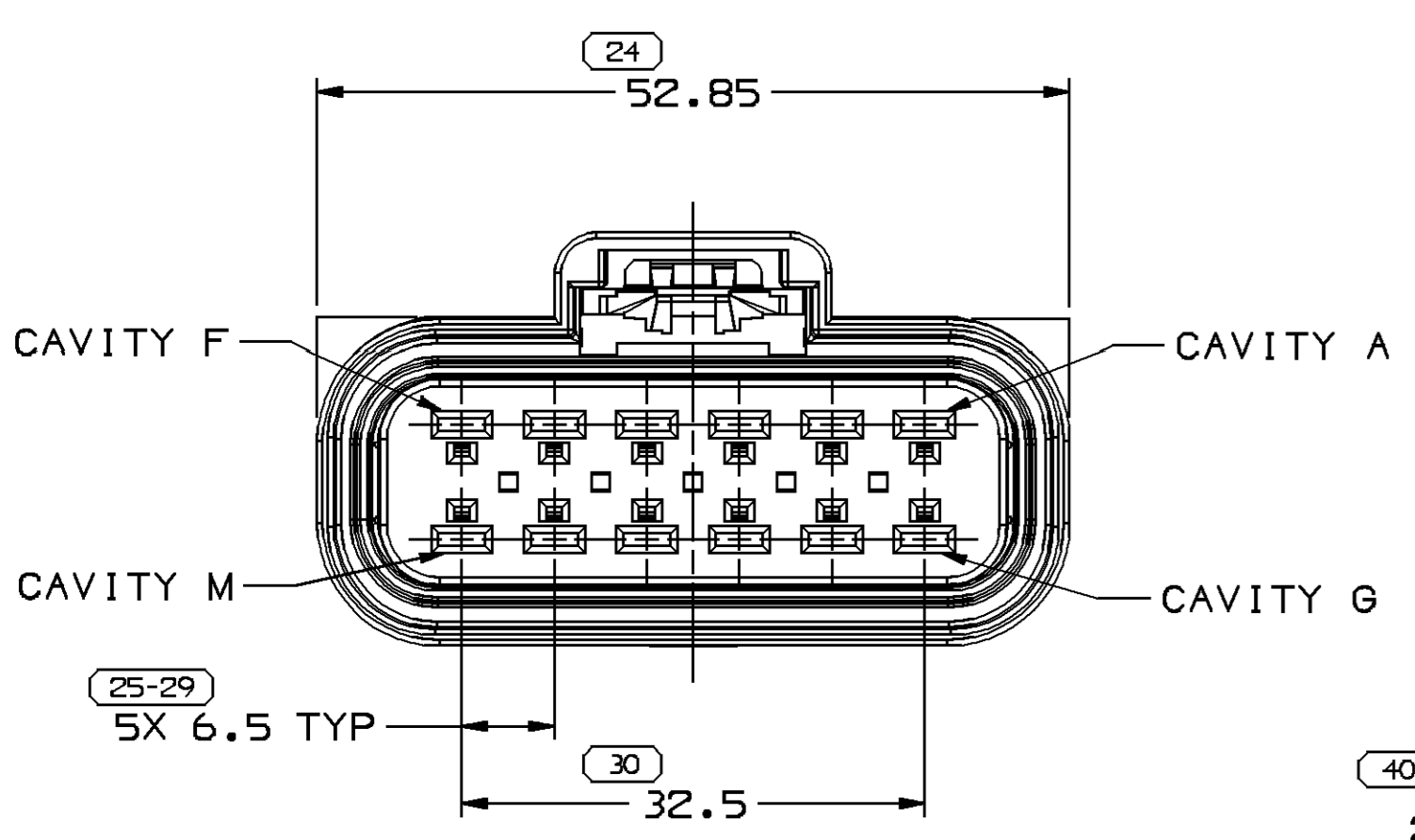
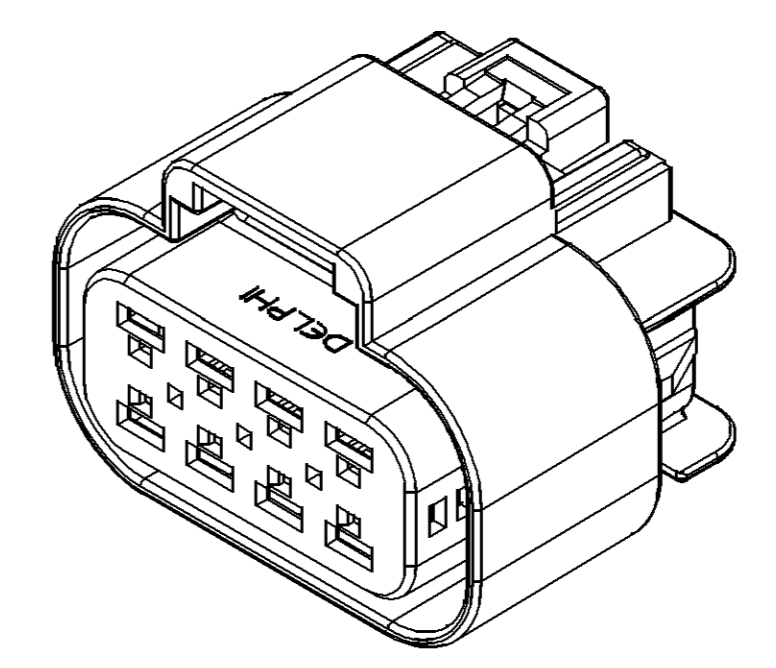
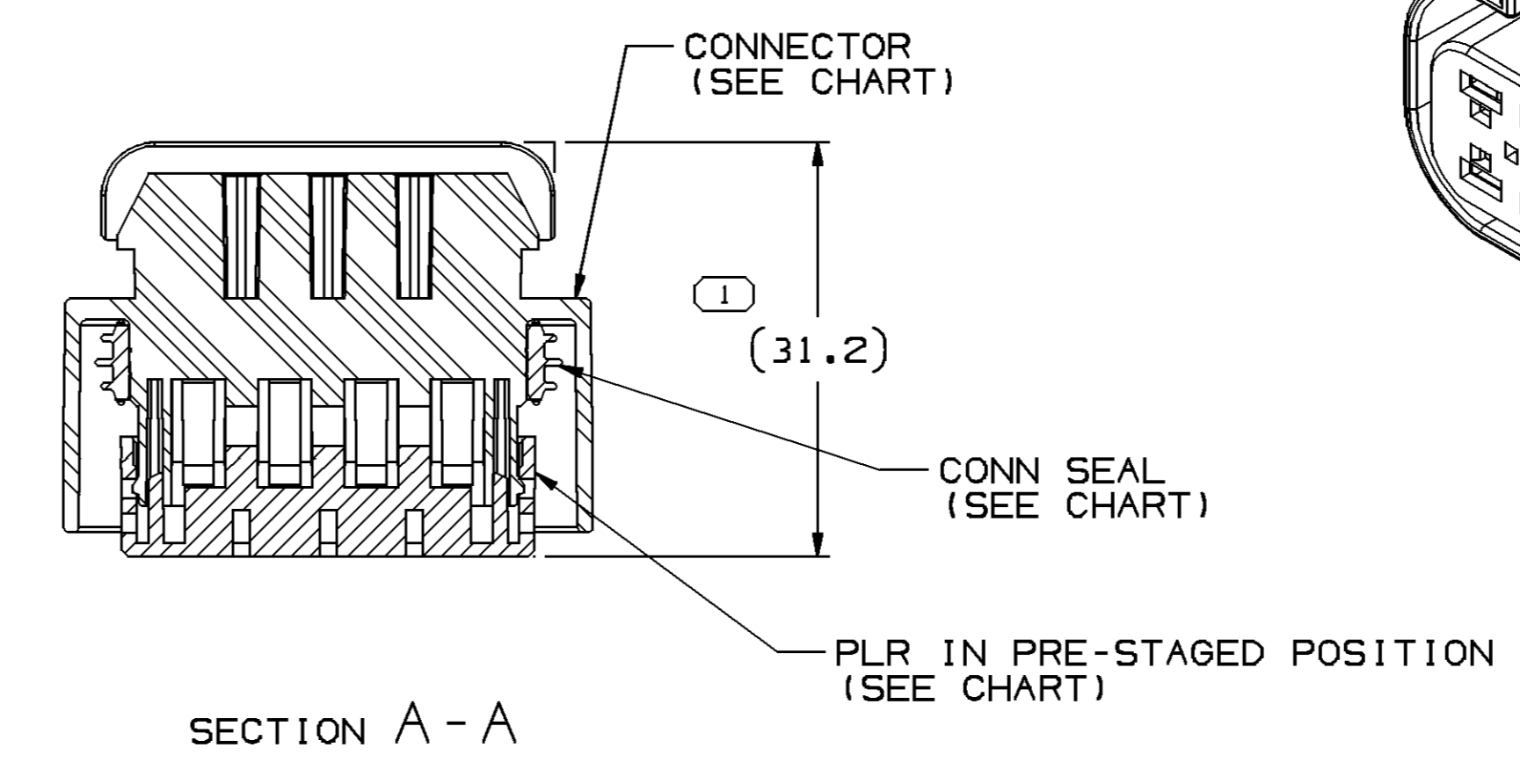
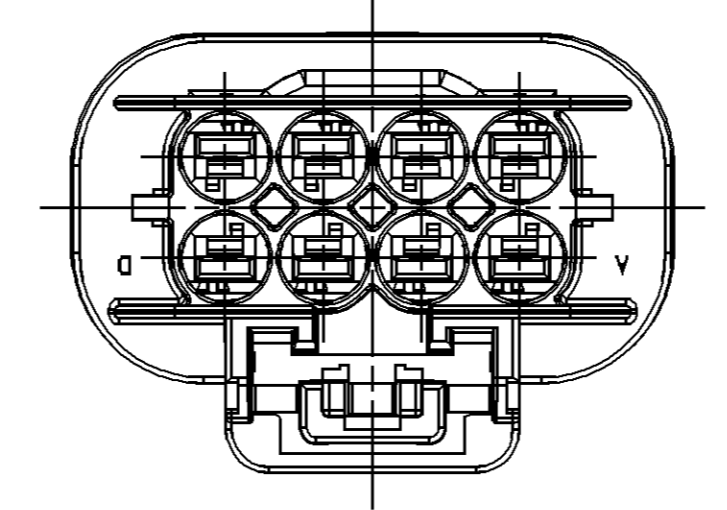
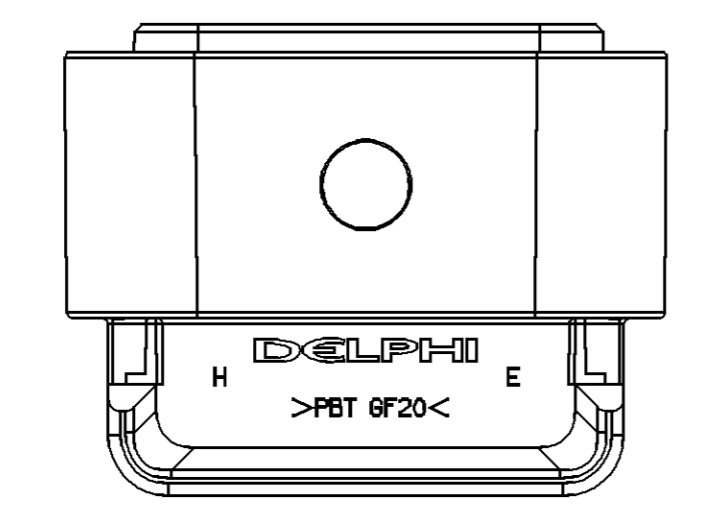
SYMBOL DEFINITION		MISSING NUMBERS		REVISION HISTORY		AUTH		DR		AP/VD	
DATE	STG	REV	N/P	CHG	ZONE	DATE	BY	DATE	BY	DATE	BY
25AUG99	R	02	-	-				196586	DRR	DRR	SAN
190C99	R	03	-	-				196725	LMM	RMM	SAN
14JUL03	R	04	-	-				242960	ADK	ADK	SAN
22SE05	R	05	-	-				272748	LMB	LMB	BR
09MR06	R	06	-	-				277561	MAC	MAC	SAN
26AP06	R	07	-	-				279991	JPH	FKV	RWR
17MY06	R	08	-	-				280598	CCV	JVM	RWR



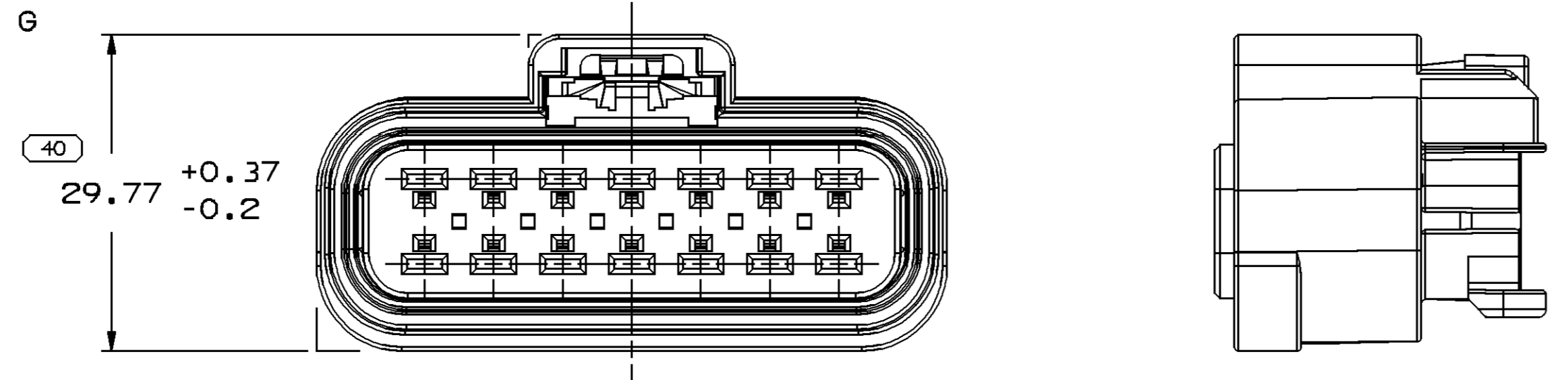
TYPE 110
SAME AS TYPE 108
EXCEPT AS SHOWN



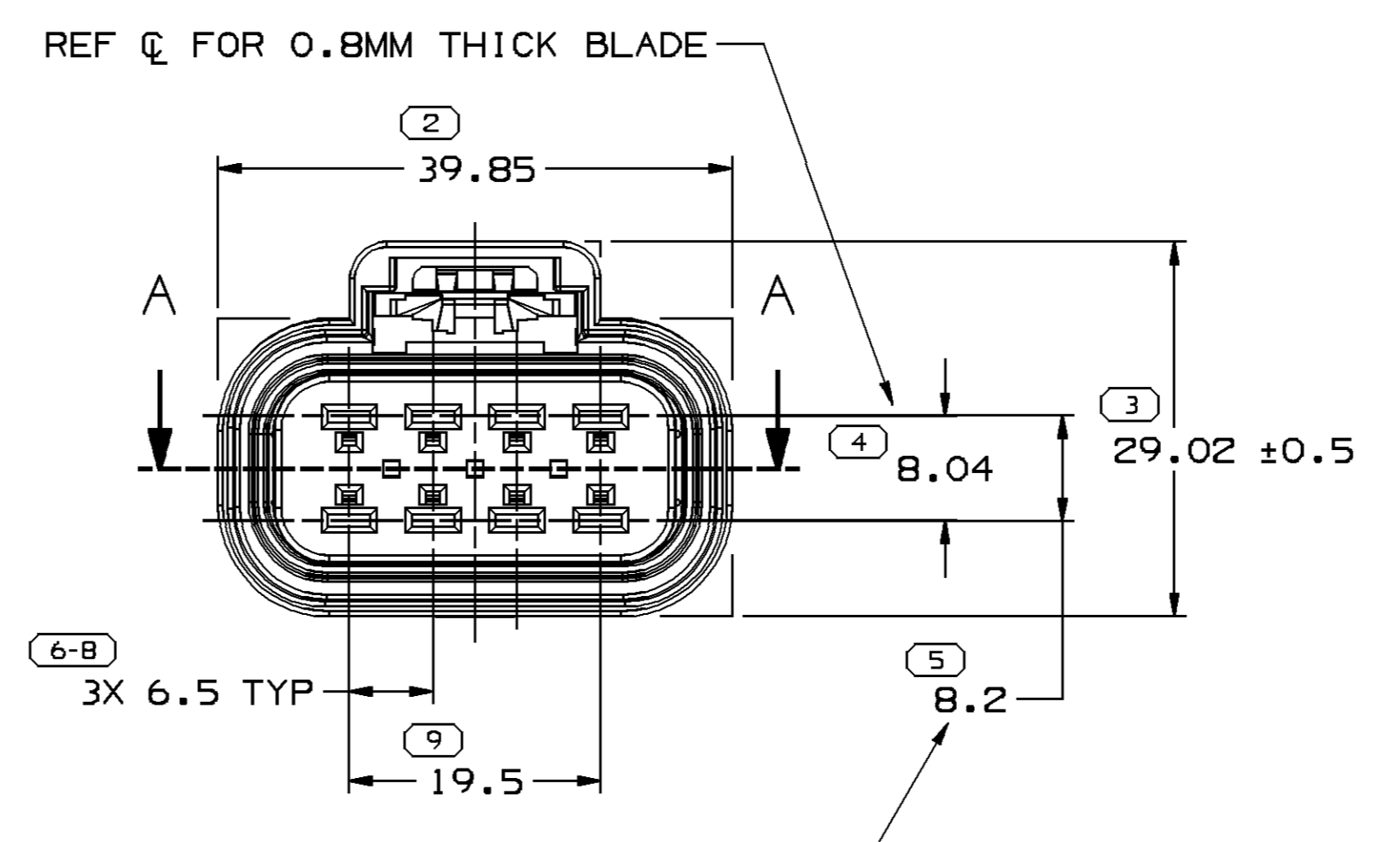
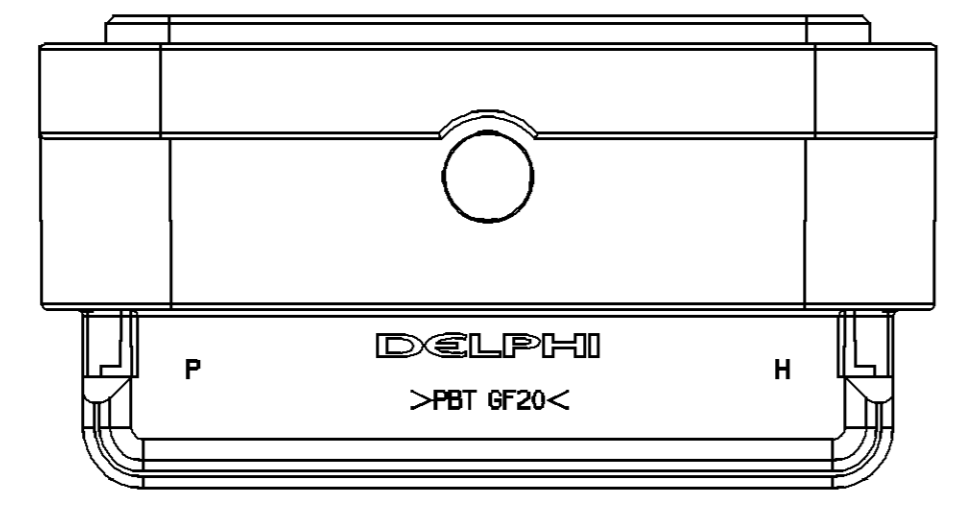
TYPE 208
SAME AS TYPE 108
EXCEPT AS SHOWN



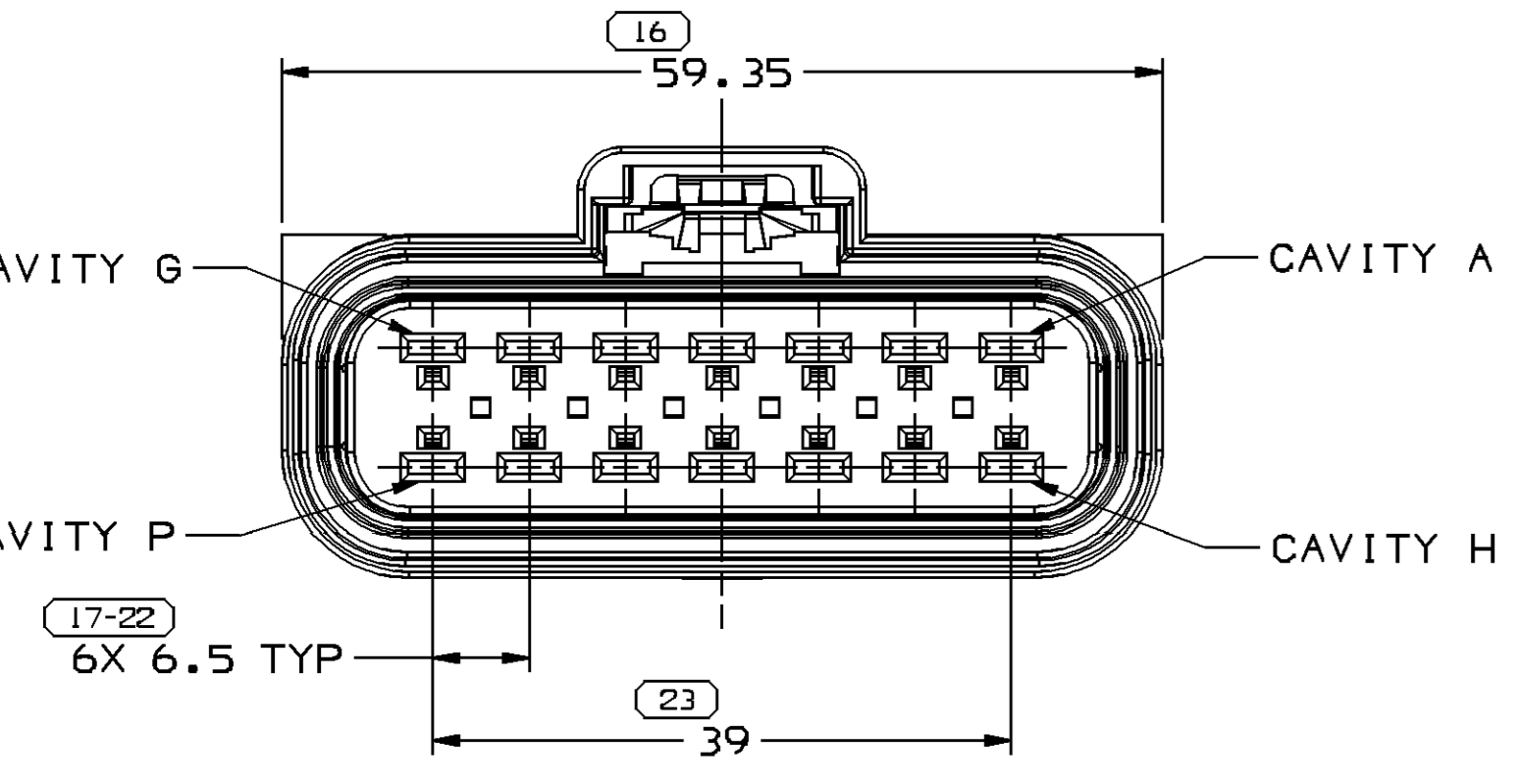
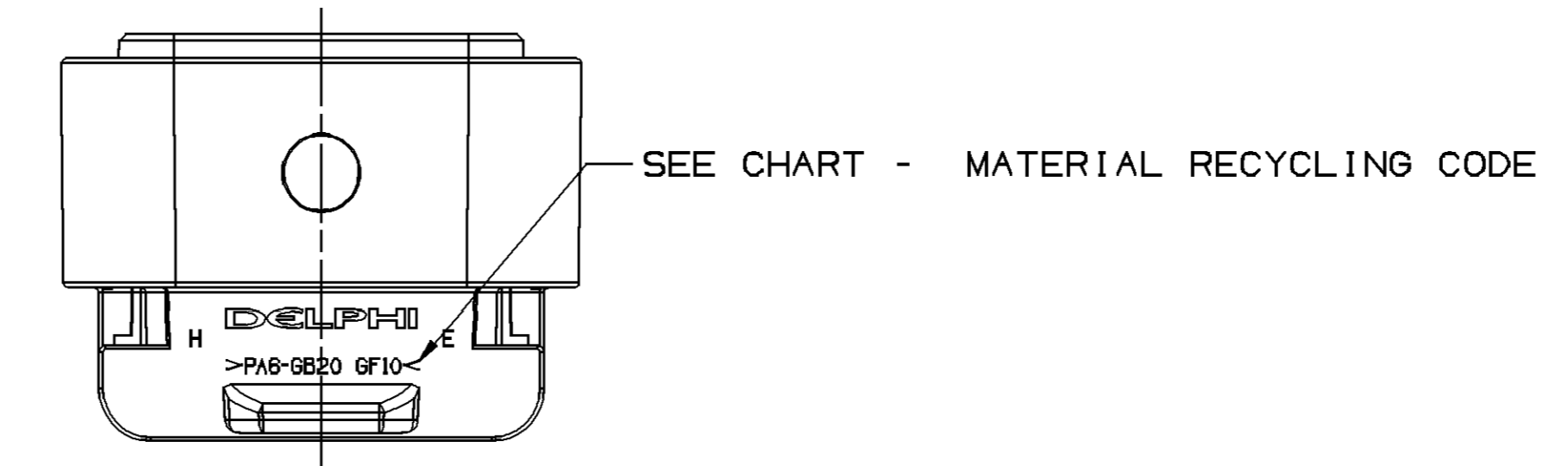
TYPE 112
SAME AS TYPE 108
EXCEPT AS SHOWN



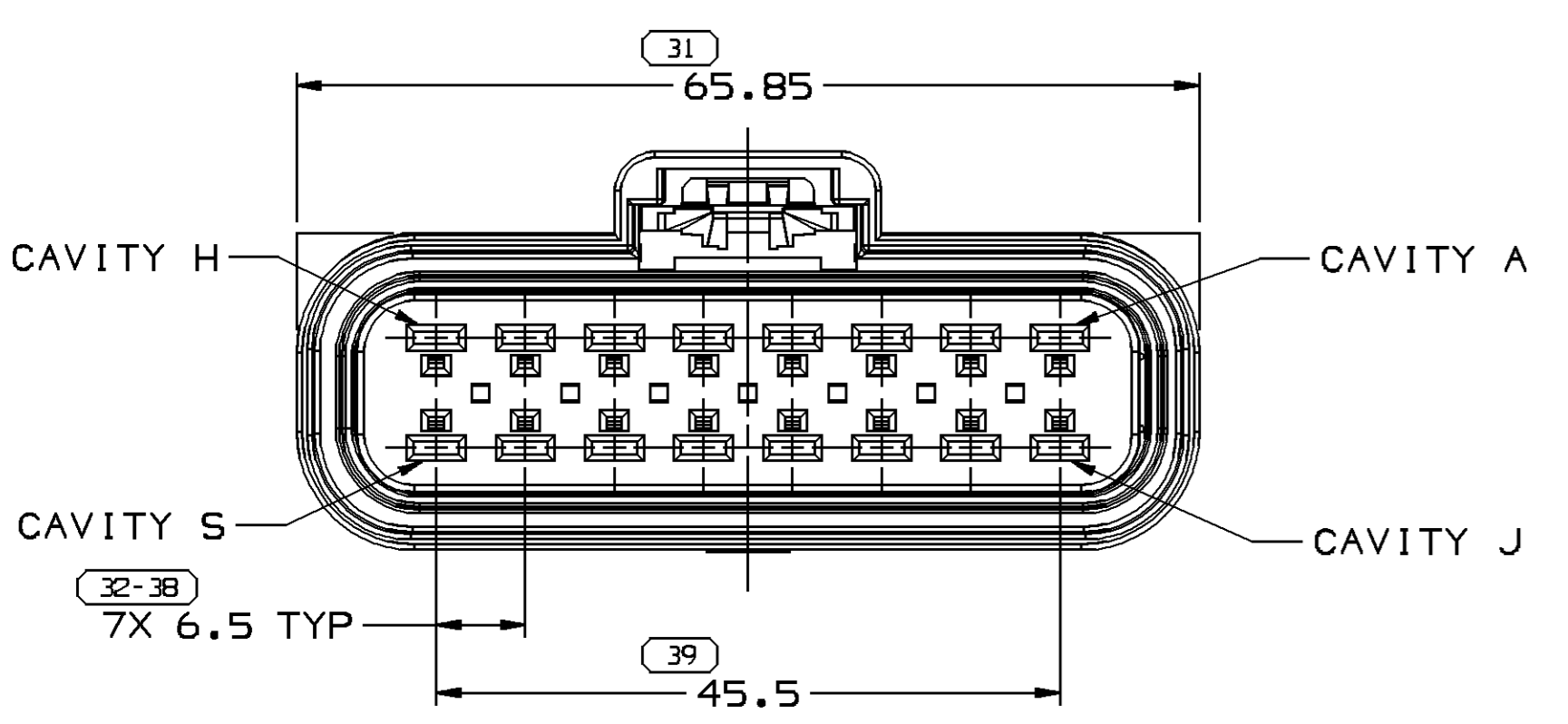
TYPE 214
SAME AS TYPE 114
EXCEPT AS SHOWN



TYPE 108



TYPE 114
SAME AS TYPE 108
EXCEPT AS SHOWN



TYPE 116
SAME AS TYPE 108
EXCEPT AS SHOWN

NOTES

- UNLESS OTHERWISE SPECIFIED AND/OR INDICATED:
DIMENSIONS ARE TO FACE OF VIEW SHOWN AND AUTOMATICALLY ROUNDED BY COMPUTER FOR INSPECTION. (SEE MATH MODEL FOR PRECISE DIMENSIONS.) FOR ALL OTHER DIMENSIONS NOT SHOWN BUT REQUIRED FOR TOOL BUILD, SEE MATH MODEL FOR PRECISE TOOL PATH DATA.
- REFERENCE MATING COMPONENTS OR EQUIVALENT:
ASSEMBLY CONNECTOR SEE CHART
- THIS PART ACCEPTS THE FOLLOWING COMPONENTS OR EQUIVALENT:
TERMINAL 15304720
CABLE SEAL 15366067
CONNECTOR POSITION ASSURANCE LOCK 15317832
CONNECTOR SYTEM ENVIRONMENTAL TEST FLOWCHART (PRESSURE/VACUUM AND SUBMERSTION).
TERMINAL POSITION ASSURANCE LOCK SEE CHART
- FOR MATING CONFIGURATION REQUIREMENTS SEE CHART
- SEALING CODE 4 - DESIGN WILL MEET REQUIREMENTS OF SAE/USCAR-2 (PRESSURE/VACUUM AND SUBMERSTION).
- ALL ASSEMBLIES WILL EXCEED BON MATING FORCE.

PART NO	REV	N/P	STATUS	TYPE	CONN	MATERIAL RECYCLING CODE	COLOR	PLR	CONN SEAL	MATING CONN ASM	MATING TPA	CONFIG REQ INFORMATION	REPLACED BY
13540547	01	AB		214		13540546	PBT-0F20	BLACK	15326919 / ID406343	15326920 / ID406344	15326922 / ID406342	15336319	
13538370	01	AA		208		13534968	PBT-0F20	BLACK	15326652 / ID406319	15326653 / ID406320	15326655 / ID406321	15430896	15336316
15326917 / ID406341	02	AC		114		15326916 / ID406345	PA6-GB20 GF10	BLACK	15326919 / ID406343	15326920 / ID406344	15326922 / ID406342	15336319	
15326910 / ID406335	02	AC		112		15326909 / ID406339	PA6-GB20 GF10	BLACK	15326912 / ID406337	15326913 / ID406338	15326915 / ID406336	15336318	
15326666 / ID406349	02	AC		116		15326662 / ID406350	PA6-GB20 GF10	BLACK	15326664 / ID406352	15326665 / ID406353	15326667 / ID406347	15336320	
15326660 / ID406334	02	AC		110		15326656 / ID406328	PA6-GB20 GF10	BLACK	15326658 / ID406330	15326659 / ID406332	15326661 / ID406329	15430900	15336317
15326654 / ID406322	02	AD	RESTRICTED	108		15326650 / ID406317	PA6-GB20 GF10	BLACK	15326652 / ID406319	15326653 / ID406320	15326655 / ID406321	15430896	15336316

DIMENSIONAL RANGE (MM)	TOLERANCE
FROM > 0 TO > 20	±0.15
> 20 TO > 30	±0.2
> 30 TO > 70	±0.3
> 70 TO > 100	±0.4
> 100 TO > 150	±0.5
> 150 TO > 200	±0.6
> 200 TO > 250	±0.8
> 250 TO > 300	±1.0
> 300 TO > 400	±1.2

DELPHI
DELPHI PACKARD ELECTRIC SYSTEMS
WYREN, OH

DR B. NAGY	DATE 09JL97
APV01 M. MCCALL	09JL97
APV02 M. MCCALL	09JL97
APV03 G.A. NORLING	03OC97
APV04	

THIS DOCUMENT IS IN ACCORDANCE WITH SAE Y14.94-1994 AS MODIFIED BY THE IN-SOURCE DIMENSIONING (ISD) SYSTEM. ADDITIONAL SERIAL MATING OF FEATURES MAY BE BASED SEPARATELY REGRLESS OF DATUM REFERENCES.

UNLESS OTHERWISE SPECIFIED:
ALL DIMENSIONS ARE IN MILLIMETERS

PROCESS SENSITIVE DIMENSION

THIRD ANGLE PROJECTION

DO NOT SCALE

USE MATH DATA

DRAWING NAME: TAXI ASM CONN F 6T 2B0 SLD

DRAWING NUMBER: 15326672

SCALE: 2:1

SHEET NO: 1 OF 1

REV: 1

N/P: 08

X-ON Electronics

Largest Supplier of Electrical and Electronic Components

Click to view similar products for [Automotive Connectors](#) category:

Click to view products by [APTIV](#) manufacturer:

Other Similar products are found below :

[003-018-000](#) [60403001](#) [60993906-B](#) [629515004020001](#) [M902-2131](#) [M902-2161](#) [72.330.1035.1](#) [73.353.4028.0](#) [F119300-B](#) [F166900](#)
[F258300-B](#) [F358300-B](#) [F407400](#) [F444110](#) [F487000](#) [F509500B-B](#) [827153-1](#) [8N1515-32-24P](#) [9-1326729-8](#) [925474-1](#) [928905-1](#) [964562-4](#)
[968782-1](#) [GT17SA-8DS-HU](#) [98891-1012](#) [98947-1016](#) [12004475-L](#) [12010290](#) [12010309-B](#) [12015454](#) [12020219-B](#) [12020308](#) [12041318-B](#)
[12052225-L](#) [12052466](#) [12059125](#) [12064869](#) [12004327-B](#) [12010503-B](#) [12015308](#) [12015384](#) [12015909](#) [1-21030-1](#) [12041254](#) [12041318](#)
[12047946-B](#) [12047957](#) [12047957-L](#) [12059473](#) [12066261](#)