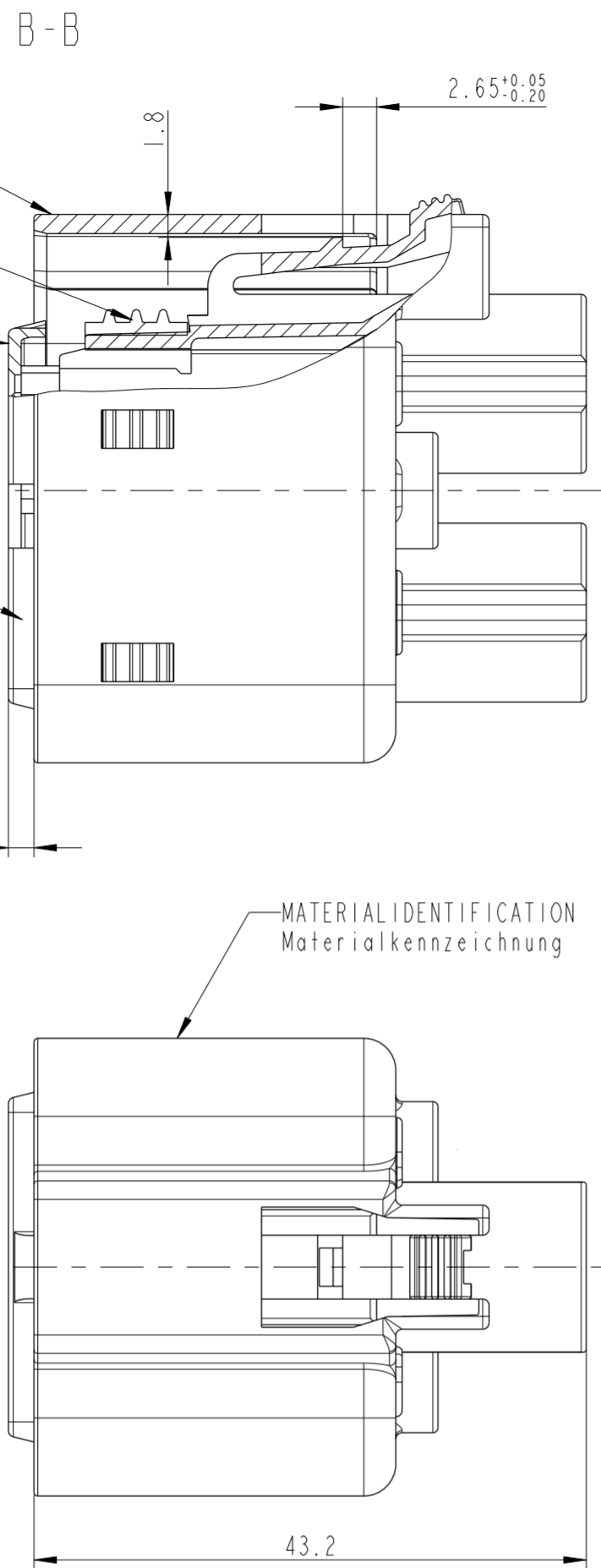
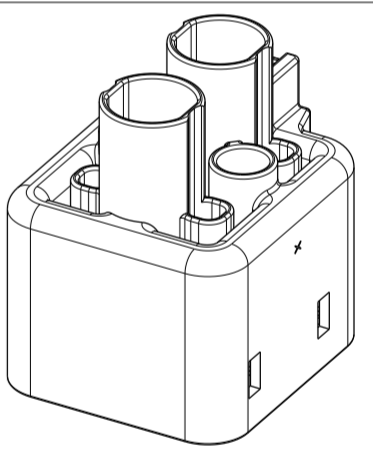


TPA IN PRELOCKED POSITION
CONDITION BY DELIVERY
Verriegelung in Vorraststellung
Lieferzustand

TPA TRAVEL DISTANCE =(2)
Verschiebeweg



3D Ansicht / 3D VIEW,
M 1:1



VALIDATED ACCORDING: GMI 12590
GEPRUEFT NACH: GMI 12590

NEUTRAL VERSION

DESCRIPTION	PART-NO. TEILE-NR.	WIRE SIZE DRAHTGROESSEN-BEREICH (mm ²)	ISOLATION SIZE ISOLATIONSBEREICH (Ø)	MVL	DELPHI	CAVITY-NO KAMMER-NR.
DCSI 9.5MM FEMALE TERM.	6 007 02 71	10763018	>6.00 - 10.00	Ø 5.80 - Ø 6.60	6 099 33 03	10721071
				Ø 5.40 - Ø 6.60	6 099 33 04	10889241
				Ø 3.50 - Ø 5.50	6 099 33 01	15327788
	6 007 02 61	15327734	>4.00 - 6.00	Ø 3.40 - Ø 4.40	6 099 33 08	13546490
				Ø 3.50 - Ø 5.50	6 099 33 01	15327788
				Ø 3.50 - Ø 5.50	6 099 33 01	15327788
DCSI 6.3MM FEMALE TERM.	6 004 00 51	10748126	4.00	Ø 3.10 - Ø 5.50	6 099 26 06	12186636
	6 004 00 41	15340695	1.50 - 2.50	Ø 2.20 - Ø 3.20	6 099 26 04	15443869
DCSI 2.8MM FEMALE TERM.	6 004 00 31	12186637	0.50-0.75-1.00	Ø 1.40 - Ø 2.30	6 099 26 07	12186638
	6 004 05 41	33511768	>1.00 - 1.50	Ø 2.20 - Ø 2.70	6 099 34 05	33501746
	6 001 05 31	12198447	0.50 - 1.00	Ø 1.70 - Ø 2.10	6 099 34 03	15327786
DESCRIPTION	6 001 05 11	15395924	0.35	Ø 1.20 - Ø 1.60	6 099 34 01	33511807

PART-NO. TEILE-NR.	REV.	PART-NO. TEILE-NR.	REV.	ITEM POS.	NAME BENENNUNG	MATERIAL	COLOR FARBE	MVL	DELPHI
6 043 10 11	A	10740372	01	3	SEAL Dichtung	SILICON	RED Rot		
				2	TPA Kontaktsicherung	PBT	BLUE Blau	9 339 00 00	33511770
				1	8POS. FEMALE CONNECTOR 8 POL. Flachkontaktgehäuse	PBT-GF30	BLACK Schwarz		

13-00711	A5	DPN 33511769 REPLACED BY 33511807	
ECN-NO. ECH-NUMMER	POSITION POSITION	CHANGE DESCRIPTION AENDERUNGSBESCHREIBUNG	
PRODUCT SPEC. PRODUKT-SPEZ.	PACKAGING SPEC. VERPACKUNGS-SPEZ.	APPLICATION SPEC. ANWENDUNGS-SPEZ.	COPYRIGHT DELPHI CORPORATION AND/OR ITS AFFILIATES. ALL RIGHTS RESERVED. REVISED THIS DRAWING IS THE PROPERTY OF DELPHI CORPORATION AND CONTAINS DELPHI CONFIDENTIAL INFORMATION. THE REPRODUCTION, DISTRIBUTION AND UTILIZATION OF THIS DOCUMENT OR ITS RELATED CAD DATA, AS WELL AS COMMUNICATION OF ANY CONTENT TO OTHERS, WITHOUT EXPRESS AUTHORIZATION, IS PROHIBITED.
TOLERANCES TOLERANZEN	DIN ISO 2768 T1	MATERIAL : SEE TABLE MATERIAL : SIEHE TABELLE	SURFACE FINISH OBERFLAECHE
COUNTERPART No. GEGENSTUECK-Nr.	SEE NOTES	COLOUR : FARBEN	ECO Loc. Code STANDORT CODE GN
DO NOT MEASURE DRAWING ZEICHNUNG NICHT VERMESSEN	DATE DATUM	NAME NAME	PROJECT PROJEKT
CREATED BY ERSTELLT	1996-05-19	WEL	8WAY SEALED FEMALE CONNECTOR
MODIFIED BY GEANDERT	2013/06/19	M WELTHER	8WAY SEALED FEMALE CONNECTOR
CHECKED BY GEPRUEFT	2013/06/19	M SCHINDHELM	8WAY SEALED FEMALE CONNECTOR
APPROVED BY GEPRUEFT	2013/06/19	Olaf HOERNLEIN	8WAY SEALED FEMALE CONNECTOR
FILE NAME PDM-NAMEN	60431011C		DOCUMENT UNDER PDS CONTROL KEIN VERWALTET DOCUMENT UNDER PDS CONTROL KEIN VERWALTET
			NO MODIFICATION ALLOWED OUTSIDE AENDERUNG AUSSERHALB NICHT ERLAUBT

DELPHI
DELPHI PACKARD ELECTRICAL/ELECTRONIC ARCHITECTURE
NUREMBERG, GERMANY

C ISO PROJECTION ISO PROJEKTION

DIMENSION IN MILLIMETERS BEMESSUNG IN MILLIMETER

DWG SIZE FORMAT A2

APPROVAL LEVEL FREIGABESTUFE

DRAWING NUMBER ZEICHN.-NUMMER **60431011C**

REV. INDEX **E**

STATE STATUS PART NUMBER TEILENUMMER **60431011**

SHEET BLATT 1 of 1 von 1

SCALE M: 2:1

X-ON Electronics

Largest Supplier of Electrical and Electronic Components

Click to view similar products for [Automotive Connectors](#) category:

Click to view products by [APTIV](#) manufacturer:

Other Similar products are found below :

[003-018-000](#) [60403001](#) [60993906-B](#) [629515004020001](#) [M902-2131](#) [M902-2161](#) [72.330.1035.1](#) [73.353.4028.0](#) [F119300-B](#) [F166900](#)
[F258300-B](#) [F358300-B](#) [F407400](#) [F444110](#) [F487000](#) [F509500B-B](#) [827153-1](#) [8N1515-32-24P](#) [9-1326729-8](#) [925474-1](#) [928905-1](#) [964562-4](#)
[968782-1](#) [GT17SA-8DS-HU](#) [98891-1012](#) [98947-1016](#) [12004475-L](#) [12010290](#) [12010309-B](#) [12015454](#) [12020219-B](#) [12020308](#) [12041318-B](#)
[12052225-L](#) [12052466](#) [12059125](#) [12064869](#) [12004327-B](#) [12010503-B](#) [12015308](#) [12015384](#) [12015909](#) [1-21030-1](#) [12041254](#) [12041318](#)
[12047946-B](#) [12047957](#) [12047957-L](#) [12059473](#) [12066261](#)