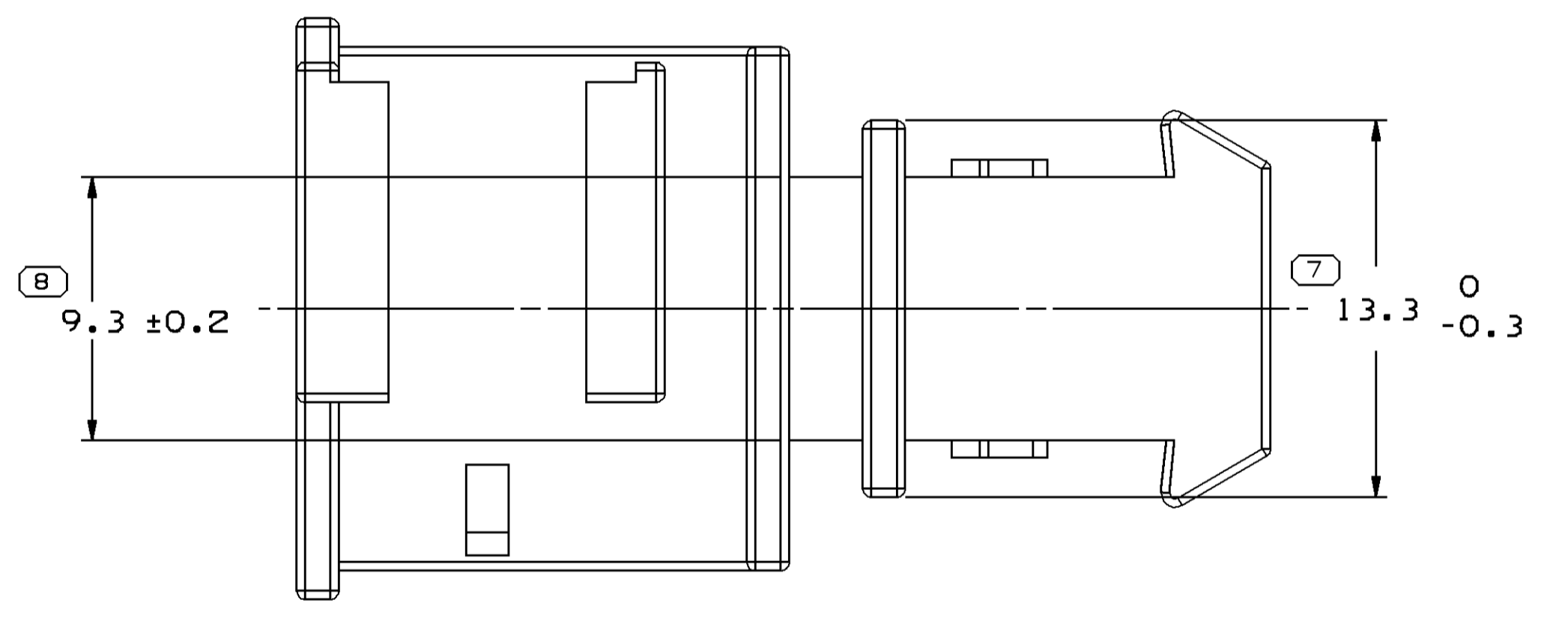
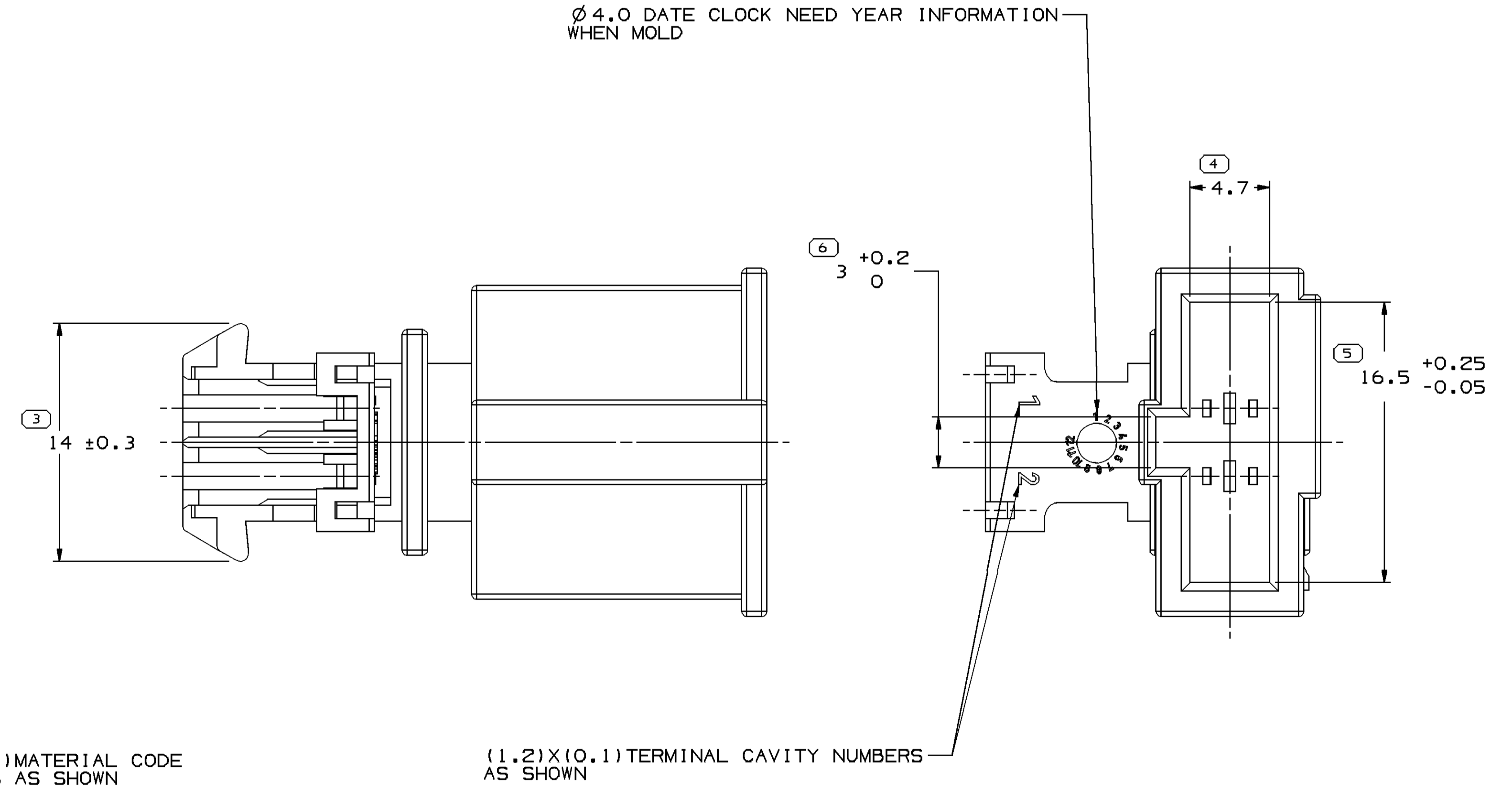
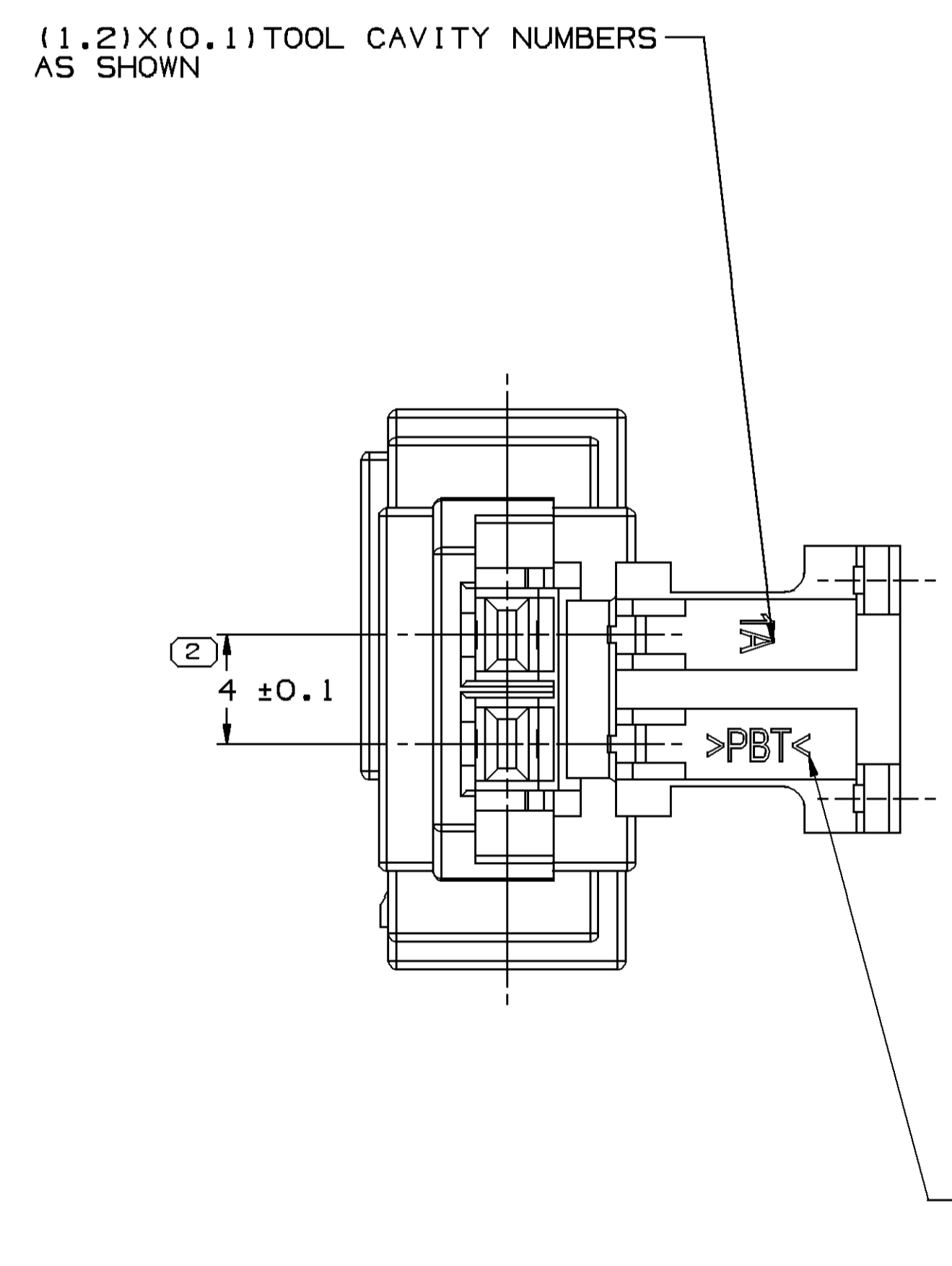
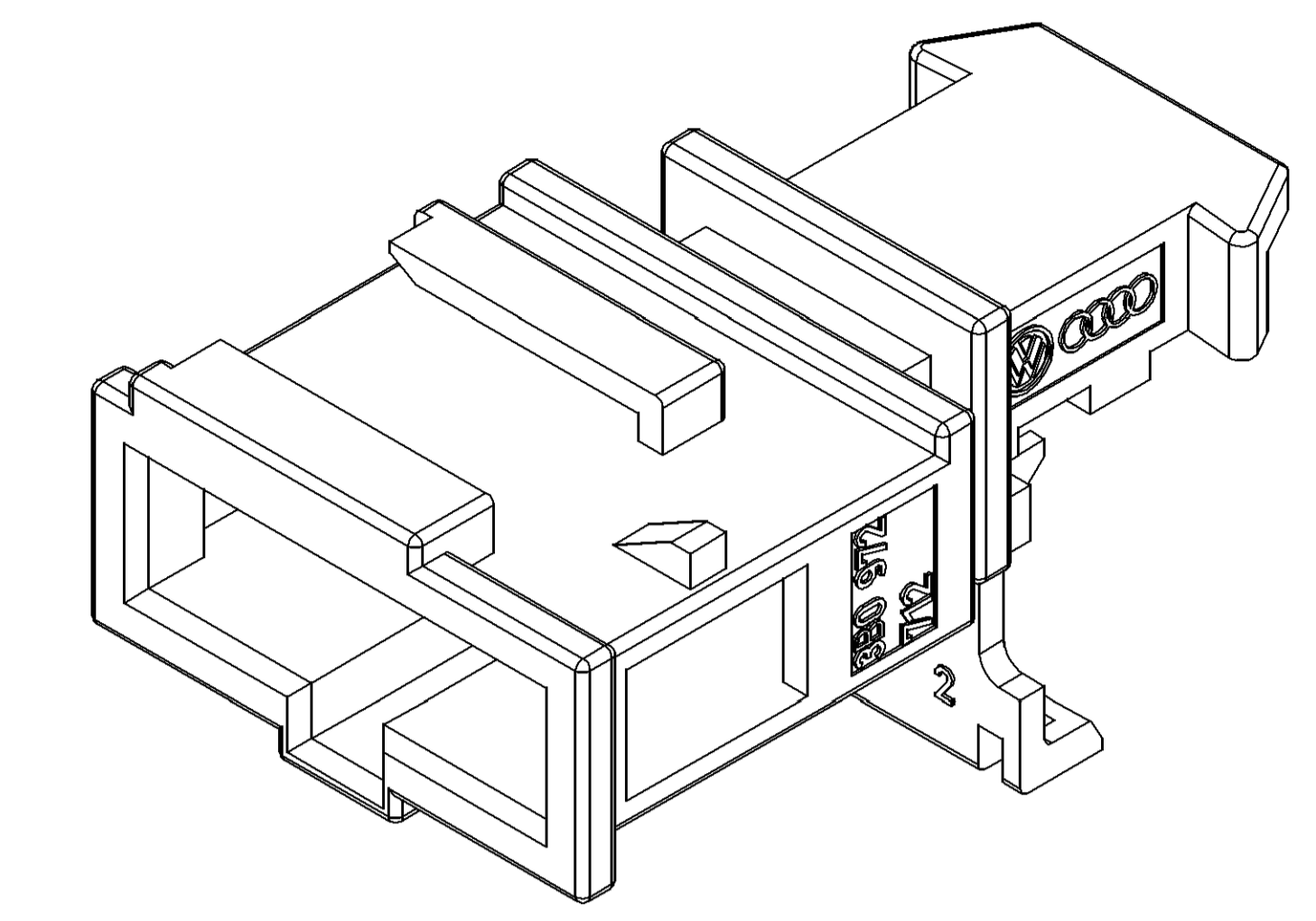
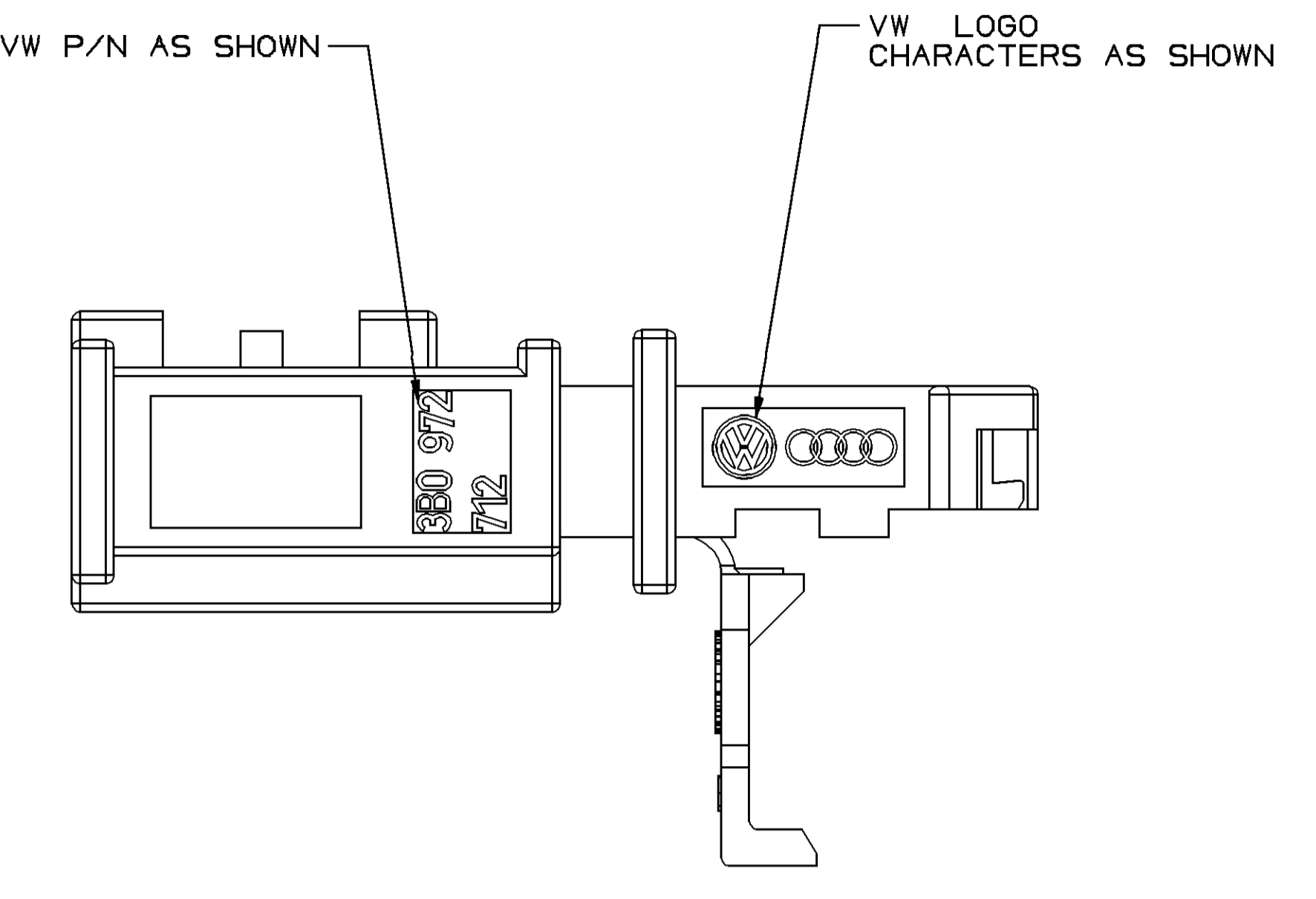
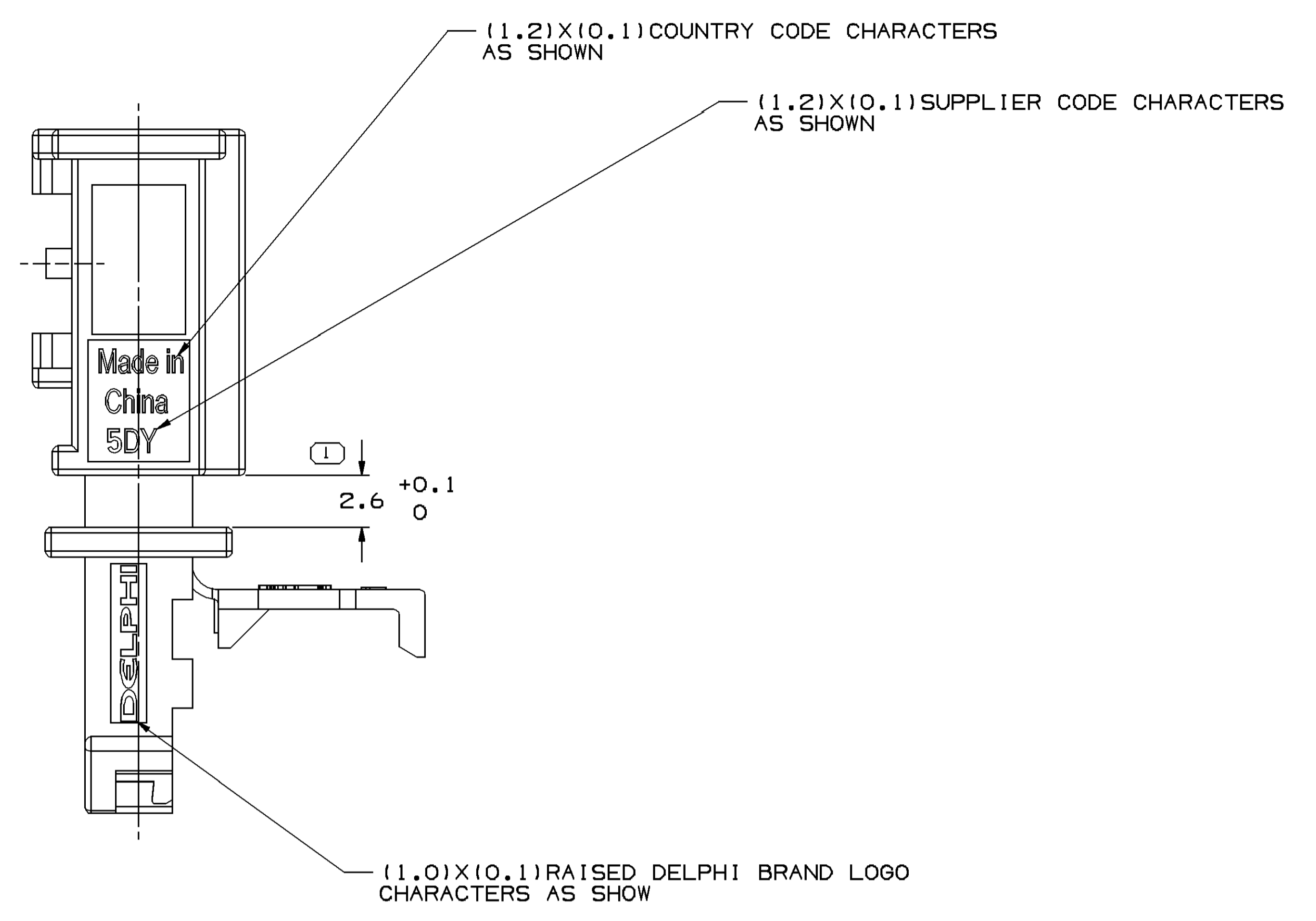


SYMBOL DEFINITION		TOTAL NO OF INSPECTIONS REQUIRED	MISSING SYMBOLS
A DIMENSION WITHOUT AN INSPECTION REPORT SYMBOL DOES NOT REQUIRE INSPECTION. IT MAY BE CONTROLLED ON THE INDIVIDUAL COMPONENT DRAWING.		8	NO MISSING SYMBOL NUMBER
		8	LAST NO. USED

DWG STATUS				REVISION HISTORY		AUTH	DR	AP/VD	AP/VD
DATE	STG	REV	N/P	CHG	ZONE				
03AP07	R	01	-	-		RELEASED	401046	ZBC	JWG/HJJ
23DE07	R	02	-	-		UPDATED PART	403374	JBN	JWG/JZ
22JL08	R	03	-	-		CHANGED LOGO , REDRAWN PD.	405517	WGJ	DMP/KW



NOTES

- UNLESS OTHERWISE SPECIFIED AND/OR INDICATED:  
DIMENSIONS ARE TO FACE OF VIEW SHOWN AND AUTOMATICALLY ROUNDED BY COMPUTER FOR INSPECTION (SEE MATH MODEL FOR PRECISE DIMENSIONS). FOR ALL OTHER DIMENSIONS NOT SHOWN BUT REQUIRED FOR TOOL BUILD, SEE MATH MODEL FOR PRECISE TOOL PATH DATA.
- MATERIAL RECYCLING CODE PER ISO 11469. (1.2)x(0.1) CHARACTERS OR NUMBERS AS SHOWN TO BE LOCATED ON ANY EXTERIOR SURFACE.
- (1.0)x(0.1) DELPHI CORPORATE BRAND TO BE LOCATED ON ANY EXTERIOR SURFACE, PREFERABLY VISIBLE AT FINAL ASSEMBLY.
- THIS PART ACCEPTS THE FOLLOWING COMPONENTS OR EQUIVALENT:  
TERMINAL 15327976
- FOR APPLICATION DATA SEE THE APPLICATION DRAWING.

DWG TYPE		PART DRAWING	
STYLE		DISTR CODE	D
VOLUME 10/11	1,770		
UNLESS OTHERWISE SPECIFIED			
THIS DOCUMENT IS IN ACCORDANCE WITH GB/T 14.04-1994 AS MODIFIED BY THE IN-SITUATION DIMENSIONING AND TOLERANCING ADDENDUM-001. SEPARATE WRITINGS OF FEATURES MAY BE BASED SEPARATELY PER RELEASE OF DRAWING REFERENCES.			
ALL DIMENSIONS ARE IN MILLIMETERS			
REFERENCE			
(21) PROCESS SENSITIVE DIMENSION			
DIMENSIONS ENCLOSED IN ( ) INDICATE REFERENCE DIMENSIONS AND NO TOLERANCE LIMITS ARE ESTABLISHED			
DIMENSIONAL RANGE (MM)		SHORT P	
FROM	> 30	> 70	> 100
TO	30	70	100
TOLERANCE UNLESS OTHERWISE SPECIFIED			
±0.1		±0.2	±0.3
±0.3		±0.4	±0.5
±0.5		±0.6	±0.8
±0.8		±1.0	±1.2
ANGULAR TOLERANCE ±1°			
THIRD ANGLE PROJECTION		DO NOT SCALE	
USE MATH DATA		NX	

**DELPHI**  
DELPHI PACKARD ELECTRIC SYSTEMS  
WVREN, OH

DR	DATE
APV01 ZHENG BIAO CHEN	03AP07
APV02 JIANWEI GUO	03AP07
APV03 HUAJUN JIN	03AP07
APV04	

SUBSTANCES OF CONCERN AND RECYCLED CONTENT PER DELPHI 10949001

MATERIAL: POLYESTER BLEND

DRAWING NAME: CONN 2 M 1.5 TIMER

DRAWING NUMBER: 13641505

SIZE	SCALE	FRAME NO	SHEET NO	STG	REV	N/P
A0	5:1	1	1	1	R	03

Date: 08-24-08 Time: 08:32

## X-ON Electronics

Largest Supplier of Electrical and Electronic Components

*Click to view similar products for [Automotive Connectors](#) category:*

*Click to view products by [APTIV](#) manufacturer:*

Other Similar products are found below :

[003-018-000](#) [60403001](#) [60993906-B](#) [M902-2131](#) [M902-2161](#) [72.330.1035.1](#) [73.353.4028.0](#) [F119300-B](#) [F166900](#) [F258300-B](#) [F358300-B](#)  
[F407400](#) [F444110](#) [F487000](#) [F509500B-B](#) [827153-1](#) [8N1515-32-24P](#) [9-1326729-8](#) [925474-1](#) [928905-1](#) [964562-4](#) [968782-1](#) [GT17SA-8DS-](#)  
[HU](#) [98891-1012](#) [98947-1016](#) [12004475-L](#) [12010290](#) [12010309-B](#) [12015454](#) [12020219-B](#) [12020308](#) [12041318-B](#) [12052225-L](#) [12052466](#)  
[12059125](#) [12064869](#) [12004327-B](#) [12010503-B](#) [12015308](#) [12015384](#) [12015909](#) [1-21030-1](#) [12041254](#) [12041318](#) [12047946-B](#) [12047957](#)  
[12047957-L](#) [12059473](#) [12066261](#) [12110546](#)