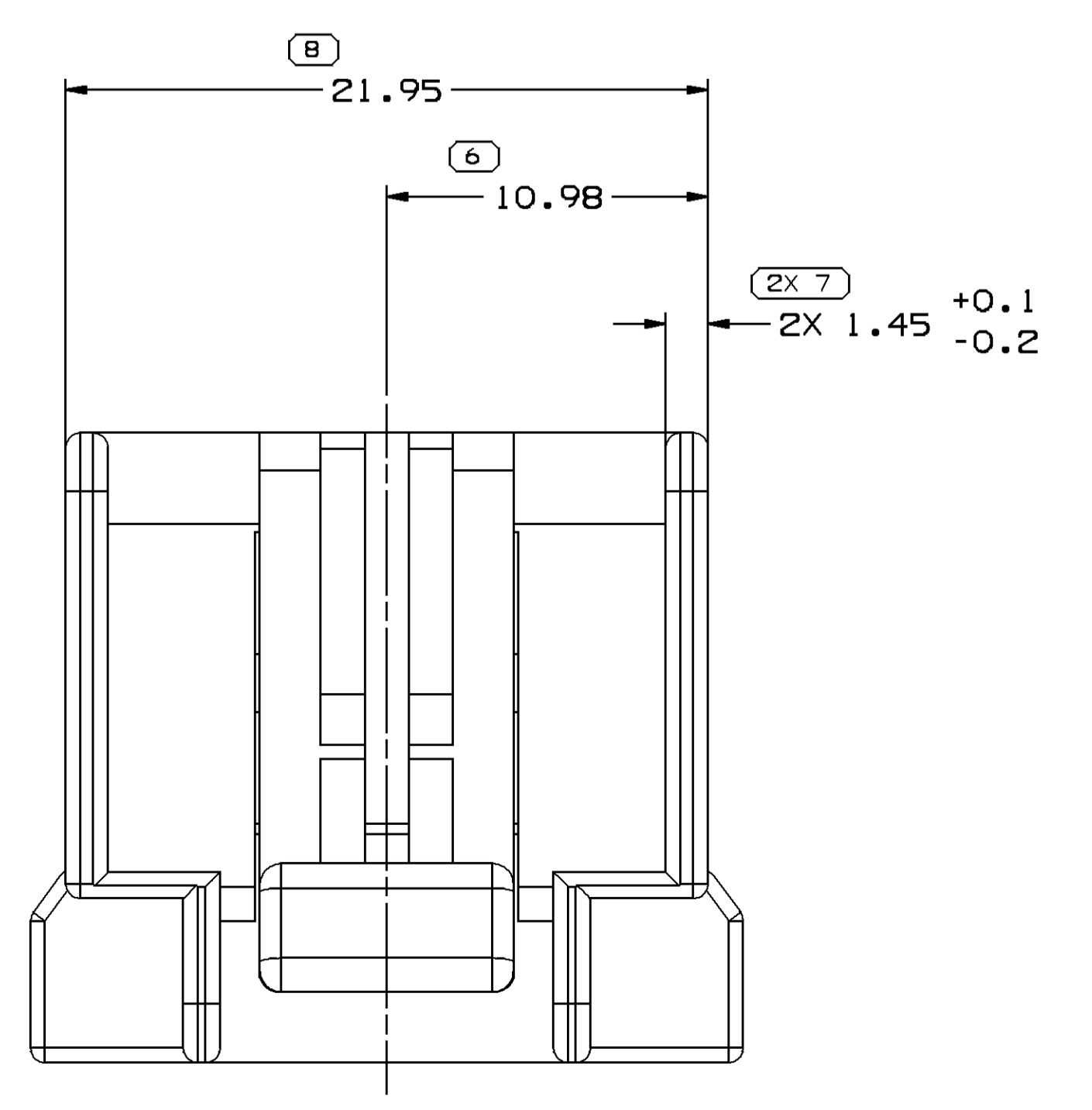
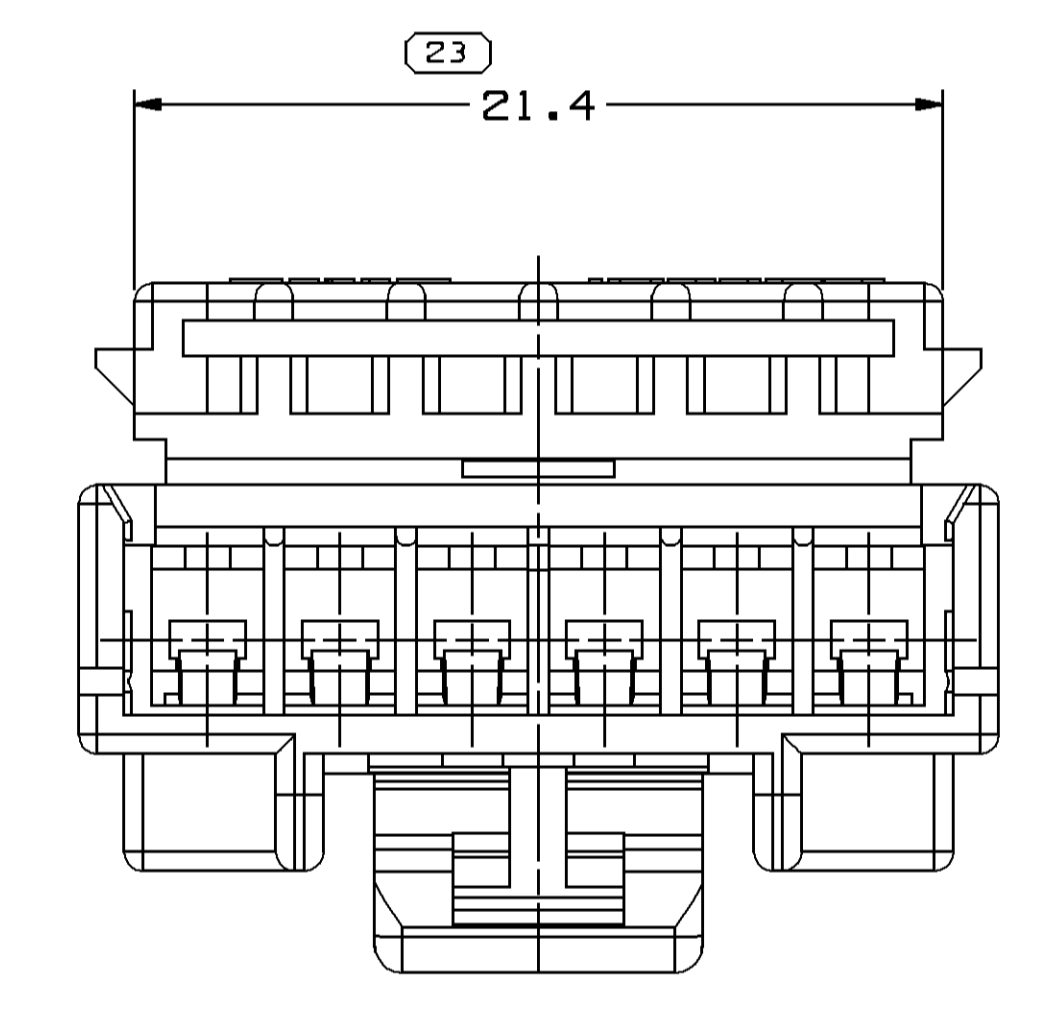
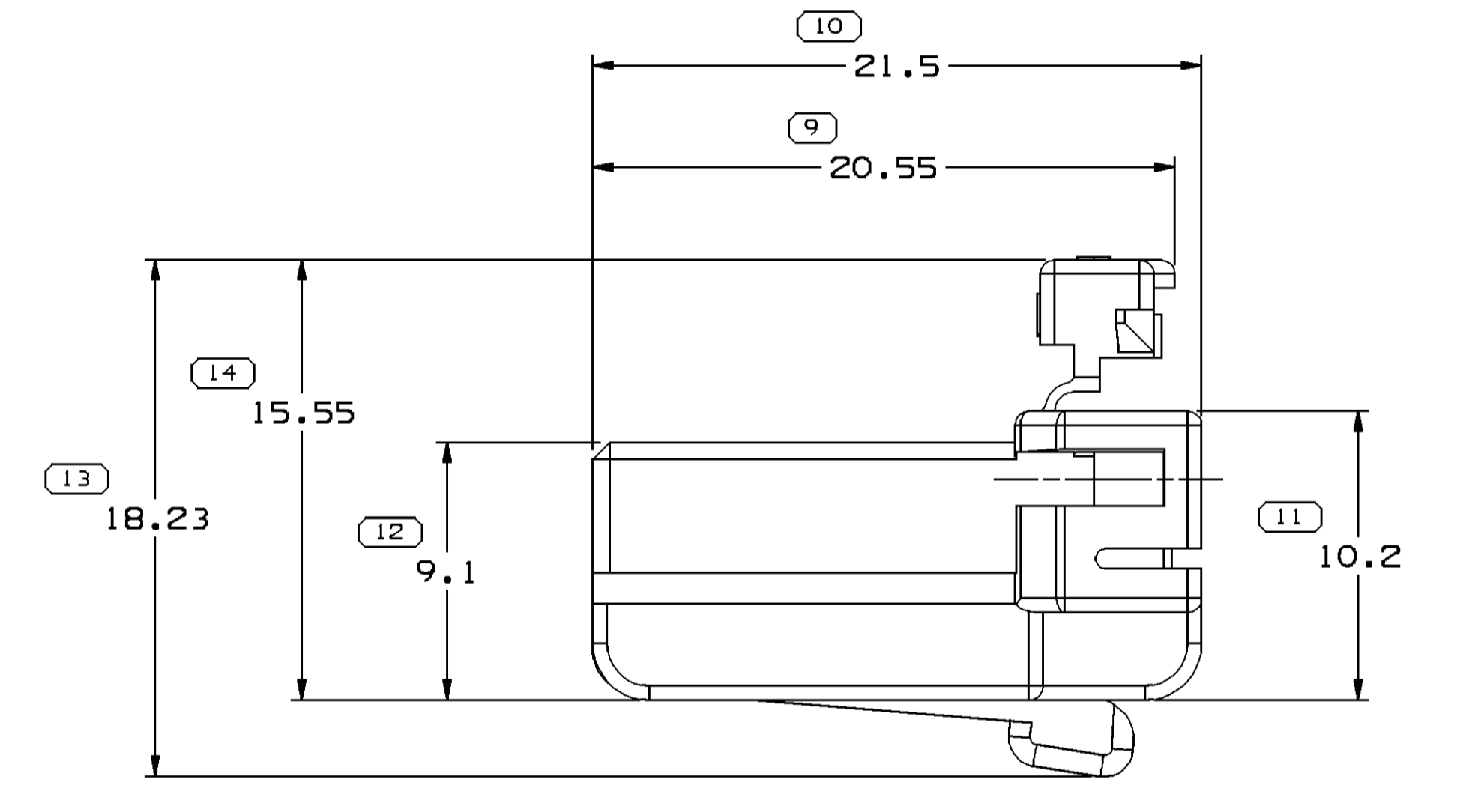
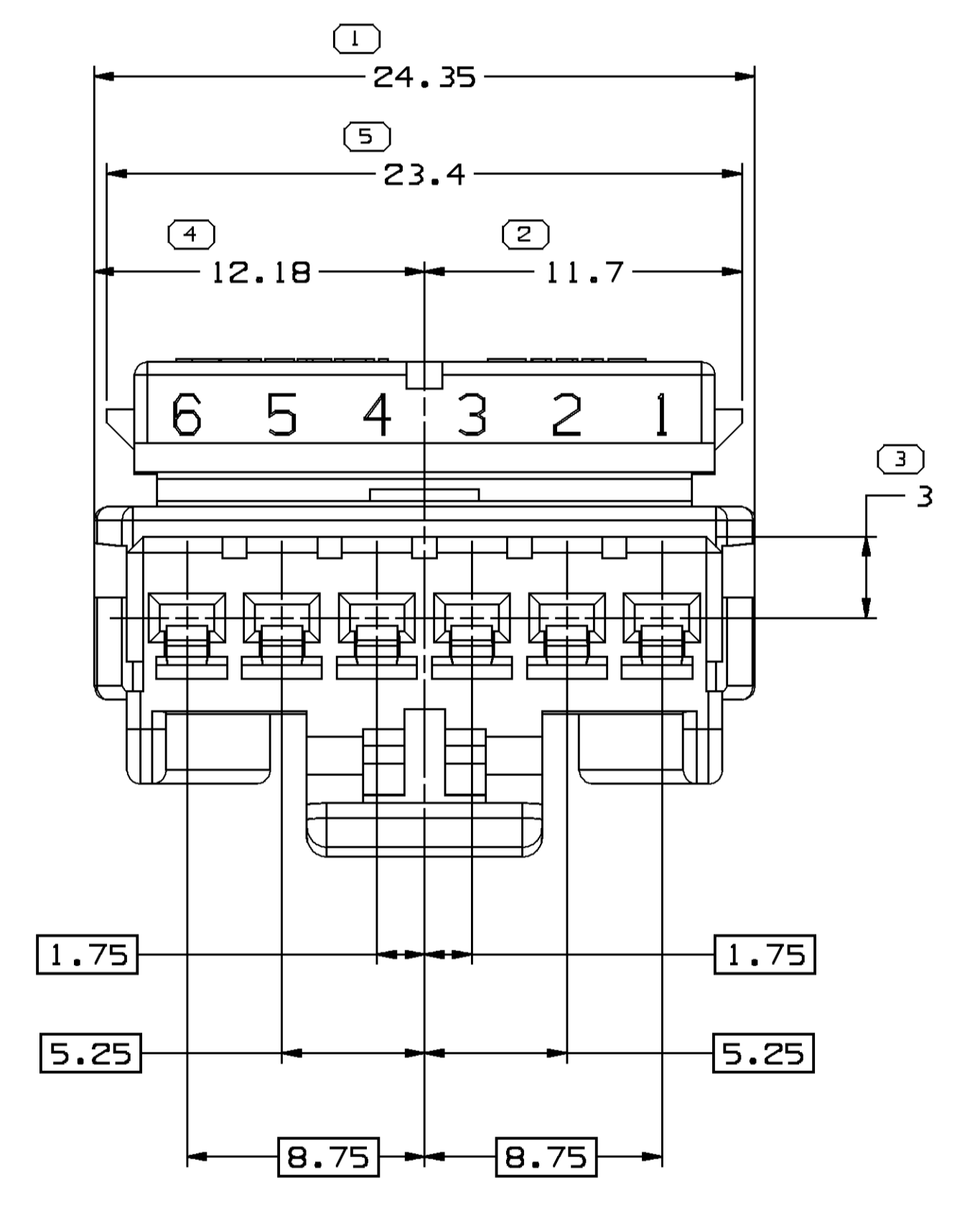
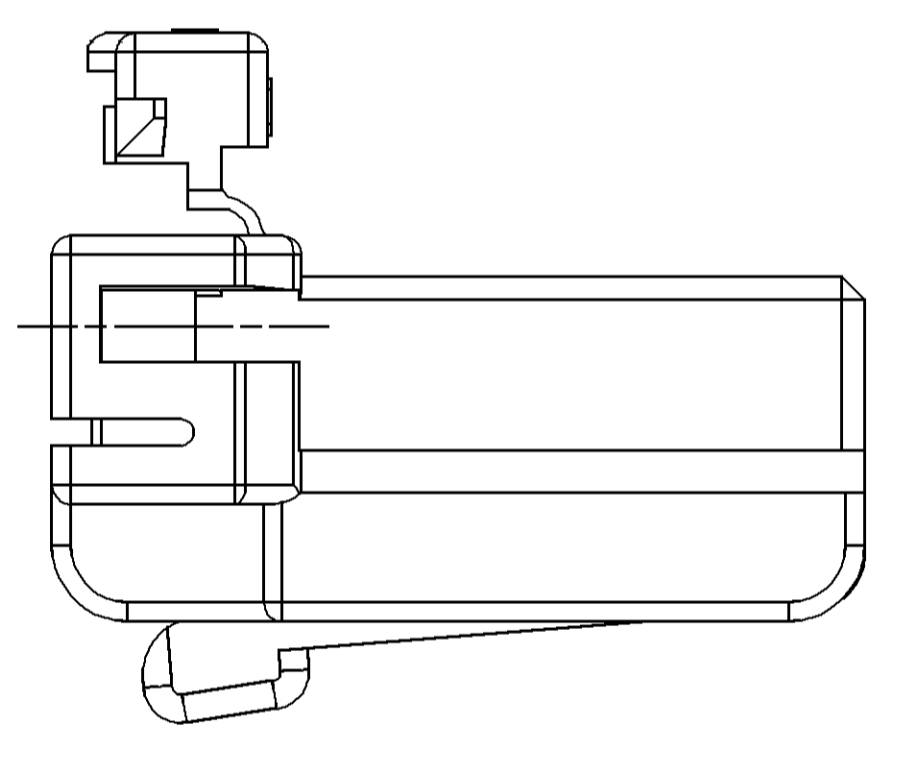
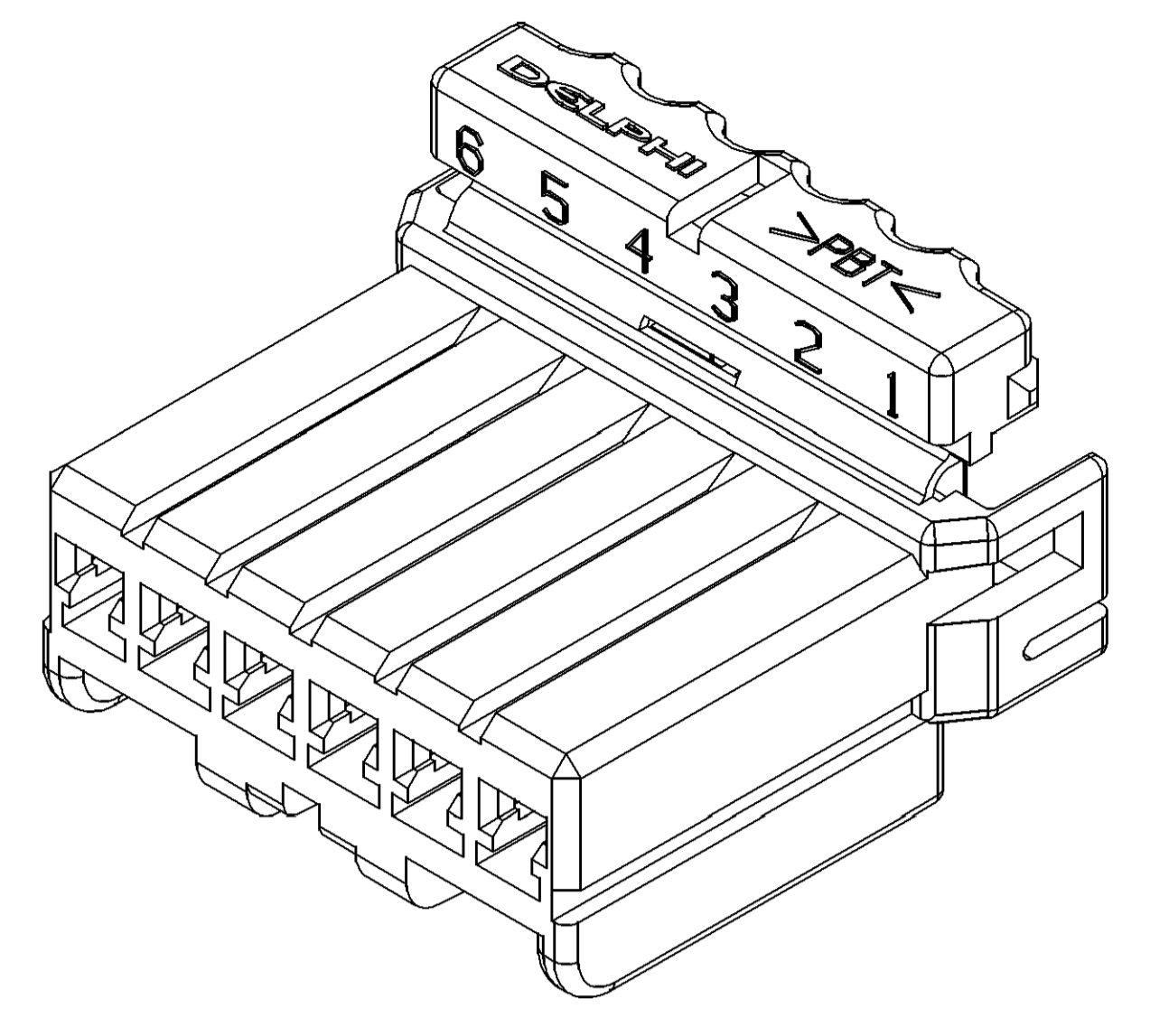
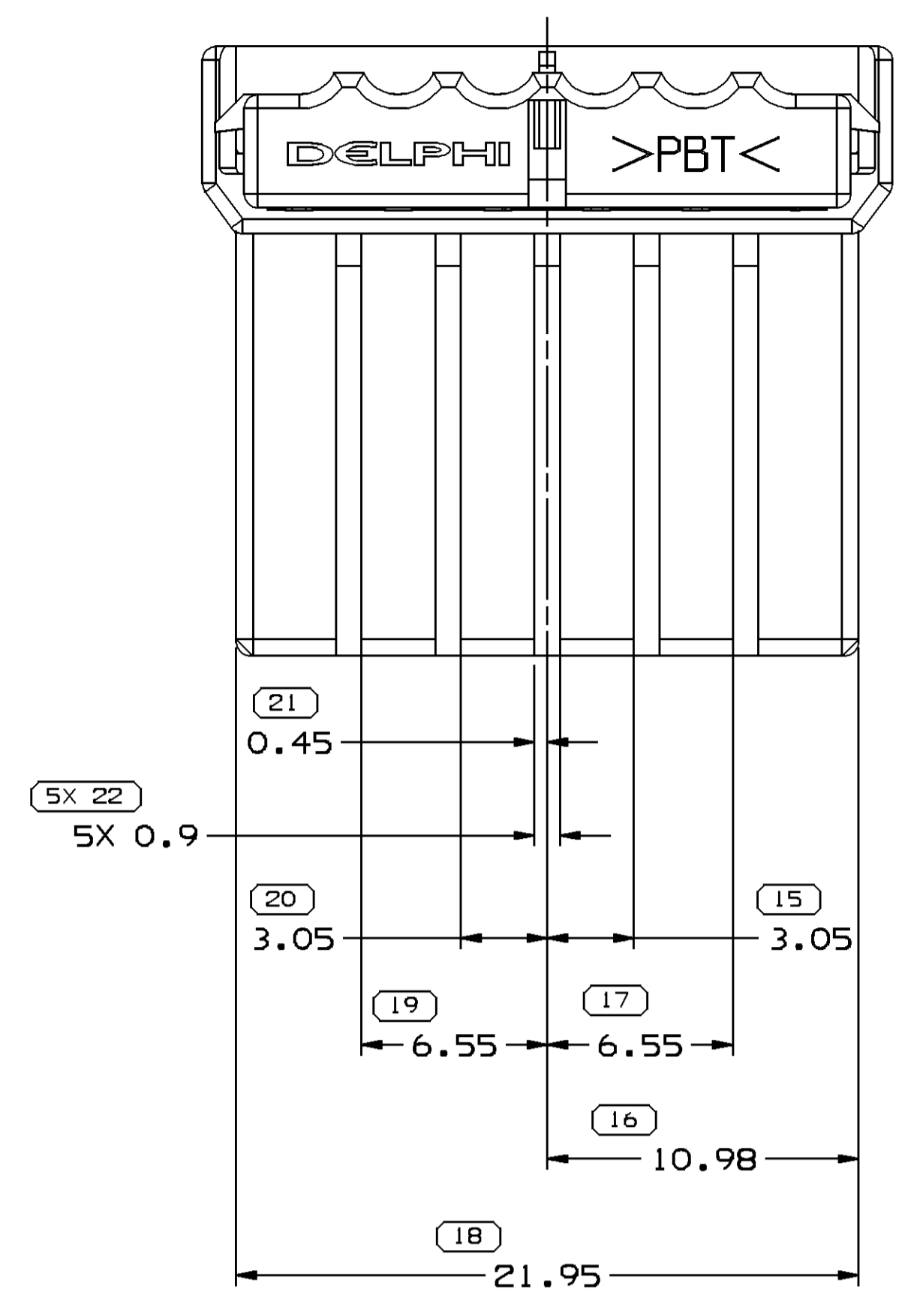


SYMBOL DEFINITION		MISSING SYMBOLS	
A DIMENSION WITHOUT AN INSPECTION REPORT SYMBOL □ DOES NOT REQUIRE INSPECTION. IT MAY BE CONTROLLED ON THE INDIVIDUAL COMPONENT DRAWING.	TOTAL NO OF INSPECTIONS REQUIRED	NO MISSING SYMBOL NUMBER	28
	LAST NO. USED		23

DWG STATUS				REVISION HISTORY				AUTH		DR		AP/VD	
DATE	STG	REV	N/P	CHG	ZONE								
18SE07	R	01	-	-		RELEASED DRAWING				257548	LL	JWG	LL
21JA08	R	01	AA			UPDATE DRAWING				403631	LL	JWG	LL



NOTES

- UNLESS OTHERWISE SPECIFIED AND/OR INDICATED: DIMENSIONS ARE TO FACE OF VIEW SHOWN AND AUTOMATICALLY ROUNDED BY COMPUTER FOR INSPECTION (SEE MATH MODEL FOR PRECISE DIMENSIONS). FOR ALL OTHER DIMENSIONS NOT SHOWN BUT REQUIRED FOR TOOL BUILD, SEE MATH MODEL FOR PRECISE TOOL PATH DATA.
- MATERIAL RECYCLING CODE >PBT< PER ISO 11469. (1.2X(0.1) RAISED CHARACTERS AS SHOWN TO BE LOCATED ON ANY EXTERIOR SURFACE. OPTIONAL CONSTRUCTION TO BE NO MATERIAL RECYCLING CODE.
- THIS PART IS NOT CONTROLLED FOR AUTOMATIC FEEDING.
- MATING COMPONENTS OR EQUIVALENT: POWER PEDAL.
- THIS PART ACCEPTS THE FOLLOWING COMPONENTS OR EQUIVALENT: TERMINAL - 15327501
MAX INSULATION CRIMP MUST BE LESS THAN 3.8 HIGH AND 2.9 WIDE.
- (0.8X(0.1) RAISED DELPHI CORPORATE BRAND TO BE LOCATED ON ANY EXTERIOR SURFACE, PREFERABLY VISIBLE AT FINAL ASSEMBLY. OPTIONAL CONSTRUCTION TO BE "PED" OR NO LOGO.
- FOR APPLICATION DATA SEE THE APPLICATION DRAWING.

Dwg Type: PART DRAWING																			
Style: 2, 148	DISTR CODE: D																		
UNLESS OTHERWISE SPECIFIED THIS DOCUMENT IS IN ACCORDANCE WITH ASME Y14.5M-1994 AS MODIFIED BY THE IN-SUPPLY DIMENSIONING AND TOLERANCE ADDENDUM-2009. SEPARATE WRITINGS OF FEATURES MAY BE BASED SEPARATELY PER RELEASE OF DIMENSION REFERENCES.																			
ALL DIMENSIONS ARE IN MILLIMETERS																			
REFERENCE																			
<table border="1"> <thead> <tr> <th>DIMENSIONAL RANGE (MM)</th> <th>CHART ET</th> </tr> </thead> <tbody> <tr> <td>FROM > 0</td> <td>> 30</td> </tr> <tr> <td>> 30</td> <td>> 70</td> </tr> <tr> <td>> 70</td> <td>> 100</td> </tr> <tr> <td>> 100</td> <td>> 150</td> </tr> <tr> <td>> 150</td> <td>> 200</td> </tr> <tr> <td>> 200</td> <td>> 250</td> </tr> <tr> <td>> 250</td> <td>> 300</td> </tr> <tr> <td>> 300</td> <td>> 400</td> </tr> </tbody> </table>		DIMENSIONAL RANGE (MM)	CHART ET	FROM > 0	> 30	> 30	> 70	> 70	> 100	> 100	> 150	> 150	> 200	> 200	> 250	> 250	> 300	> 300	> 400
DIMENSIONAL RANGE (MM)	CHART ET																		
FROM > 0	> 30																		
> 30	> 70																		
> 70	> 100																		
> 100	> 150																		
> 150	> 200																		
> 200	> 250																		
> 250	> 300																		
> 300	> 400																		
<table border="1"> <thead> <tr> <th>TOLERANCE UNLESS OTHERWISE SPECIFIED</th> <th>ANGULAR TOLERANCE 2C</th> </tr> </thead> <tbody> <tr> <td>±0.15</td> <td>±1</td> </tr> <tr> <td>±0.2</td> <td>±1.2</td> </tr> <tr> <td>±0.3</td> <td>±1</td> </tr> <tr> <td>±0.4</td> <td>±1</td> </tr> <tr> <td>±0.5</td> <td>±1</td> </tr> <tr> <td>±0.6</td> <td>±1</td> </tr> <tr> <td>±0.8</td> <td>±1</td> </tr> </tbody> </table>		TOLERANCE UNLESS OTHERWISE SPECIFIED	ANGULAR TOLERANCE 2C	±0.15	±1	±0.2	±1.2	±0.3	±1	±0.4	±1	±0.5	±1	±0.6	±1	±0.8	±1		
TOLERANCE UNLESS OTHERWISE SPECIFIED	ANGULAR TOLERANCE 2C																		
±0.15	±1																		
±0.2	±1.2																		
±0.3	±1																		
±0.4	±1																		
±0.5	±1																		
±0.6	±1																		
±0.8	±1																		
<table border="1"> <thead> <tr> <th>THIRD ANGLE PROJECTION</th> <th>DO NOT SCALE</th> </tr> </thead> <tbody> <tr> <td></td> <td></td> </tr> </tbody> </table>		THIRD ANGLE PROJECTION	DO NOT SCALE																
THIRD ANGLE PROJECTION	DO NOT SCALE																		
<table border="1"> <thead> <tr> <th>USE MATH DATA</th> </tr> </thead> <tbody> <tr> <td></td> </tr> </tbody> </table>		USE MATH DATA																	
USE MATH DATA																			

DELPHI	
DELPHI PACKARD ELECTRIC SYSTEMS WREN, OH	
DR	DATE
APV01 LET LI	18SE07
APV02 JIANWEI GUO	18SE07
APV03 LET LI	18SE07
APV04	
APV05	
SUBSTANCES OF CONCERN AND RECYCLED CONTENT PER DELPHI 10947001	
MATERIAL: W4695001 PBT NATURAL	
DRAWING NAME: CONN 6 F BFC 180	
DRAWING NUMBER: 13665466	
SIZE: A0	SCALE: 5:1
FRAME NO: 1	SHEET NO: 1 OF 1
STG: R	REV: 01
N/P: AA	AA

X-ON Electronics

Largest Supplier of Electrical and Electronic Components

Click to view similar products for [Automotive Connectors](#) category:

Click to view products by [APTIV](#) manufacturer:

Other Similar products are found below :

[003-018-000](#) [60403001](#) [60993906-B](#) [629515004020001](#) [M902-2131](#) [M902-2161](#) [72.330.1035.1](#) [73.353.4028.0](#) [F119300-B](#) [F166900](#)
[F258300-B](#) [F358300-B](#) [F407400](#) [F444110](#) [F487000](#) [F509500B-B](#) [827153-1](#) [8N1515-32-24P](#) [9-1326729-8](#) [925474-1](#) [928905-1](#) [964562-4](#)
[968782-1](#) [GT17SA-8DS-HU](#) [98891-1012](#) [98947-1016](#) [12004475-L](#) [12010290](#) [12010309-B](#) [12015454](#) [12020219-B](#) [12020308](#) [12041318-B](#)
[12052225-L](#) [12052466](#) [12059125](#) [12064869](#) [12004327-B](#) [12010503-B](#) [12015308](#) [12015384](#) [12015909](#) [1-21030-1](#) [12041254](#) [12041318](#)
[12047946-B](#) [12047957](#) [12047957-L](#) [12059473](#) [12066261](#)