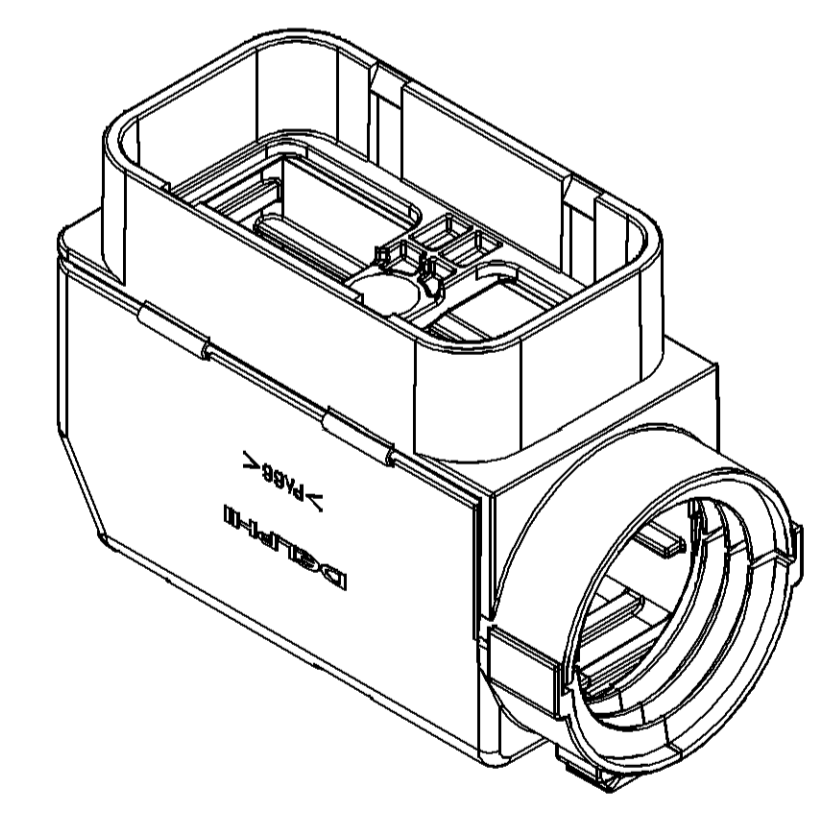
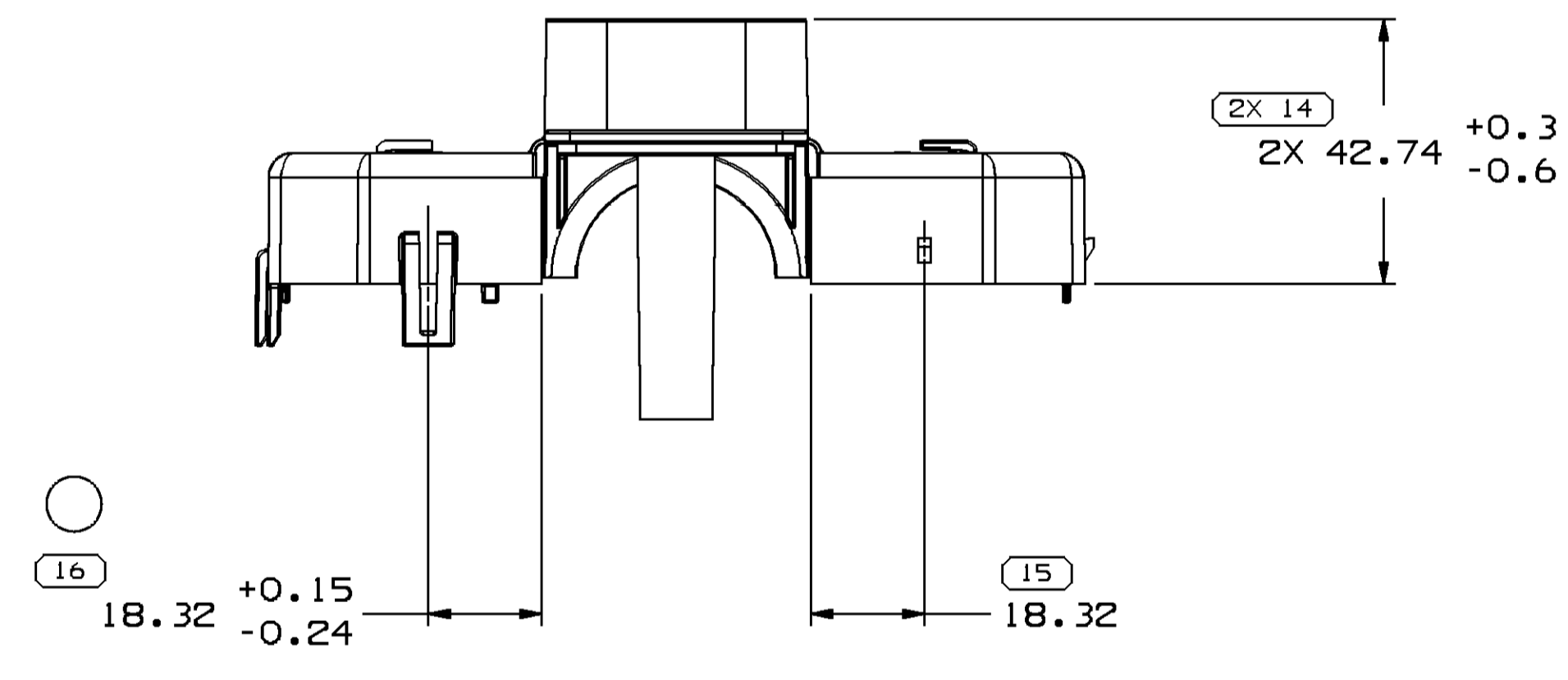
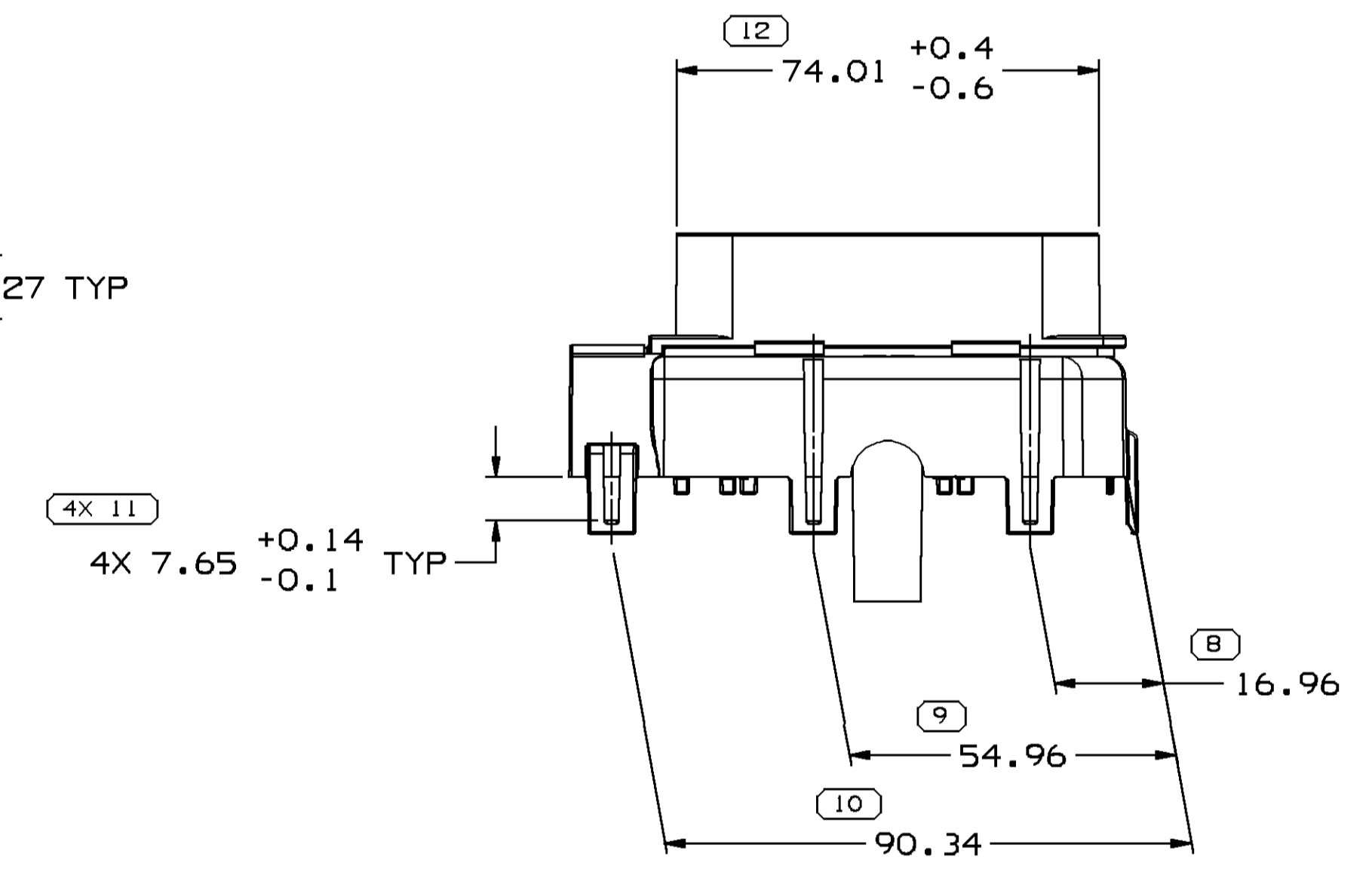
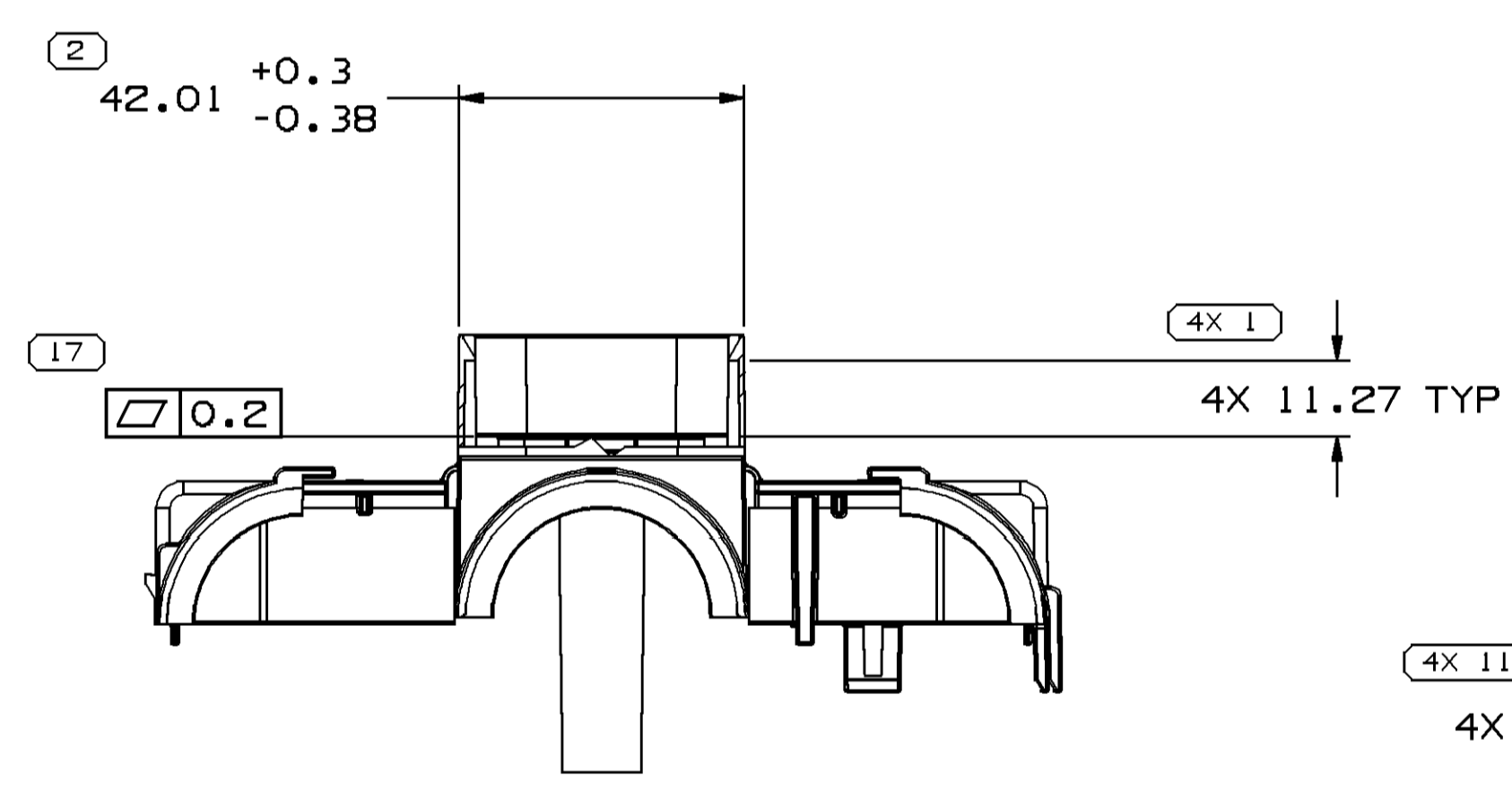
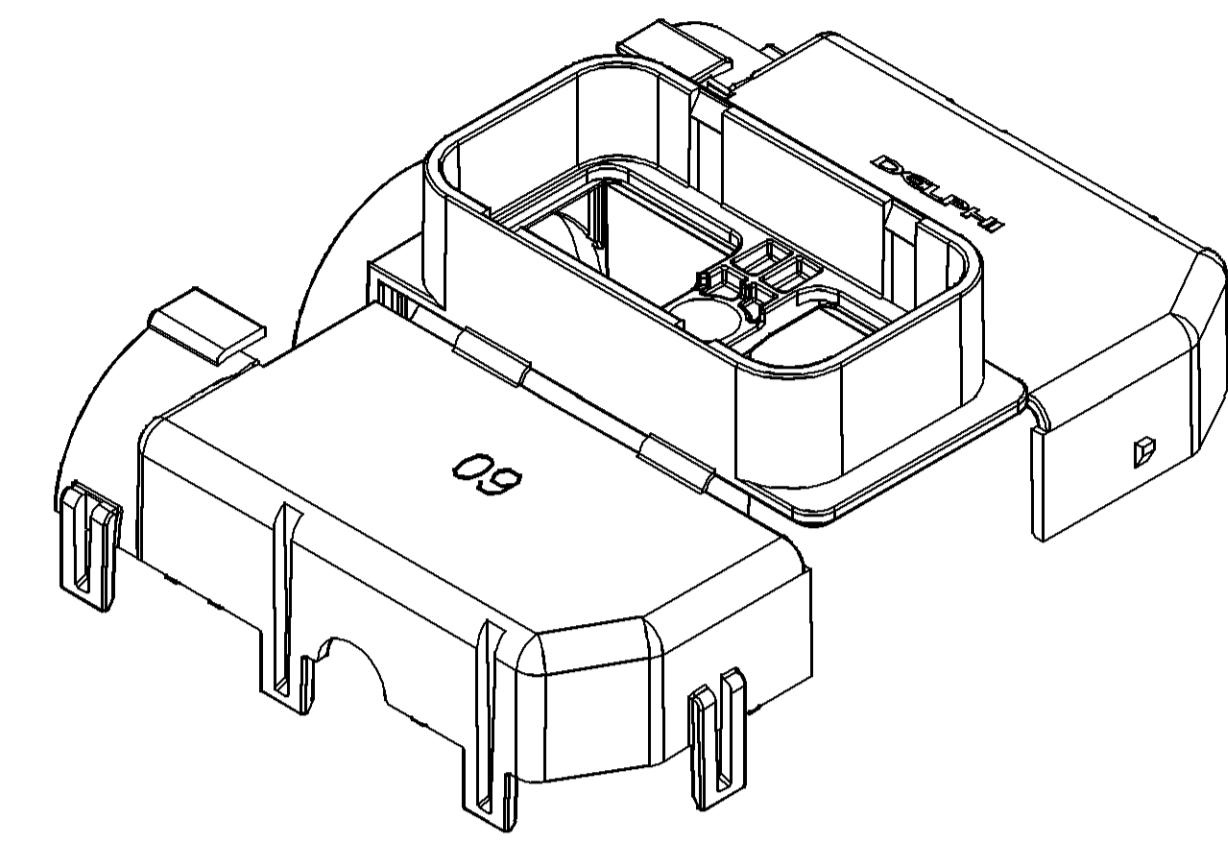
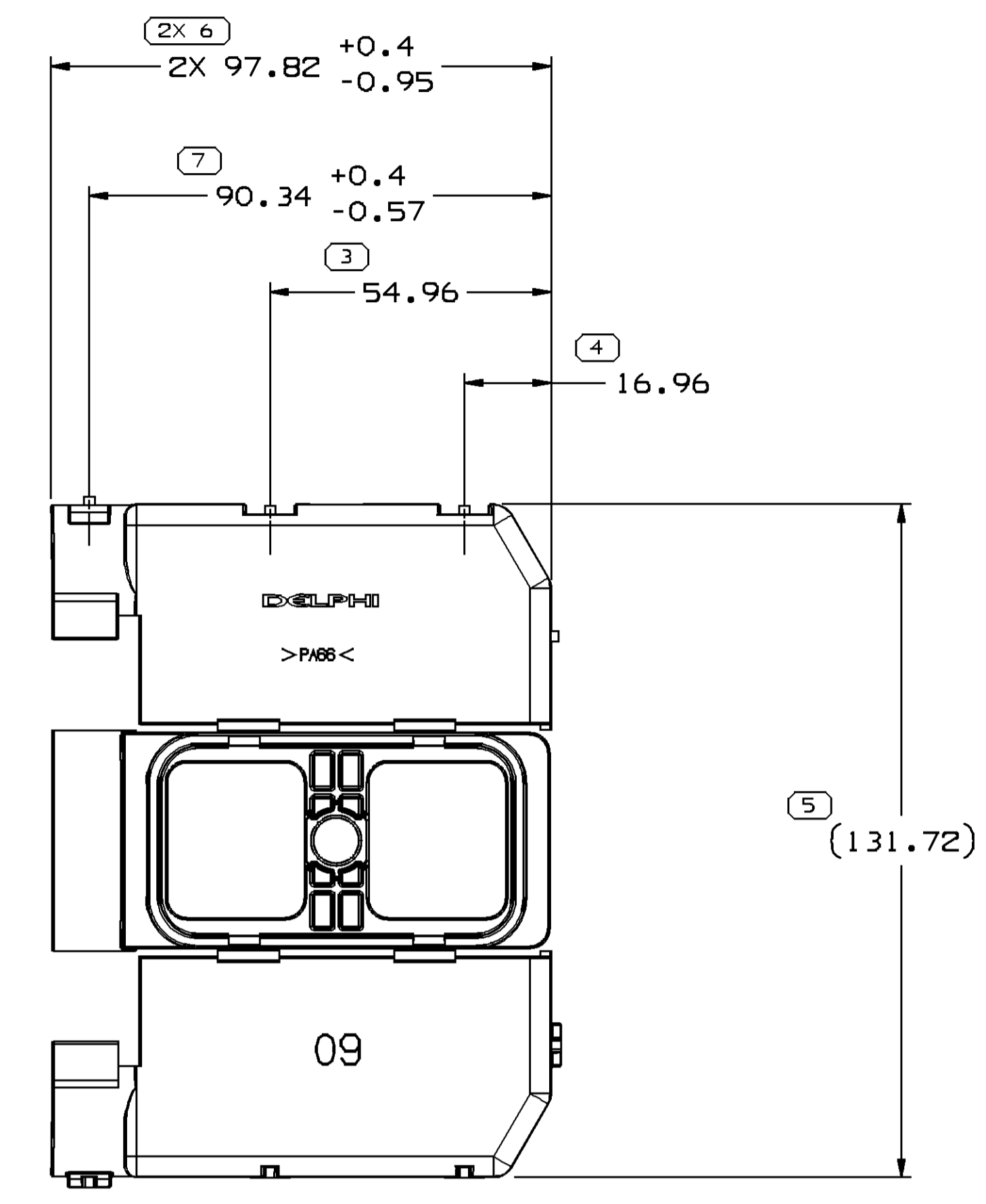
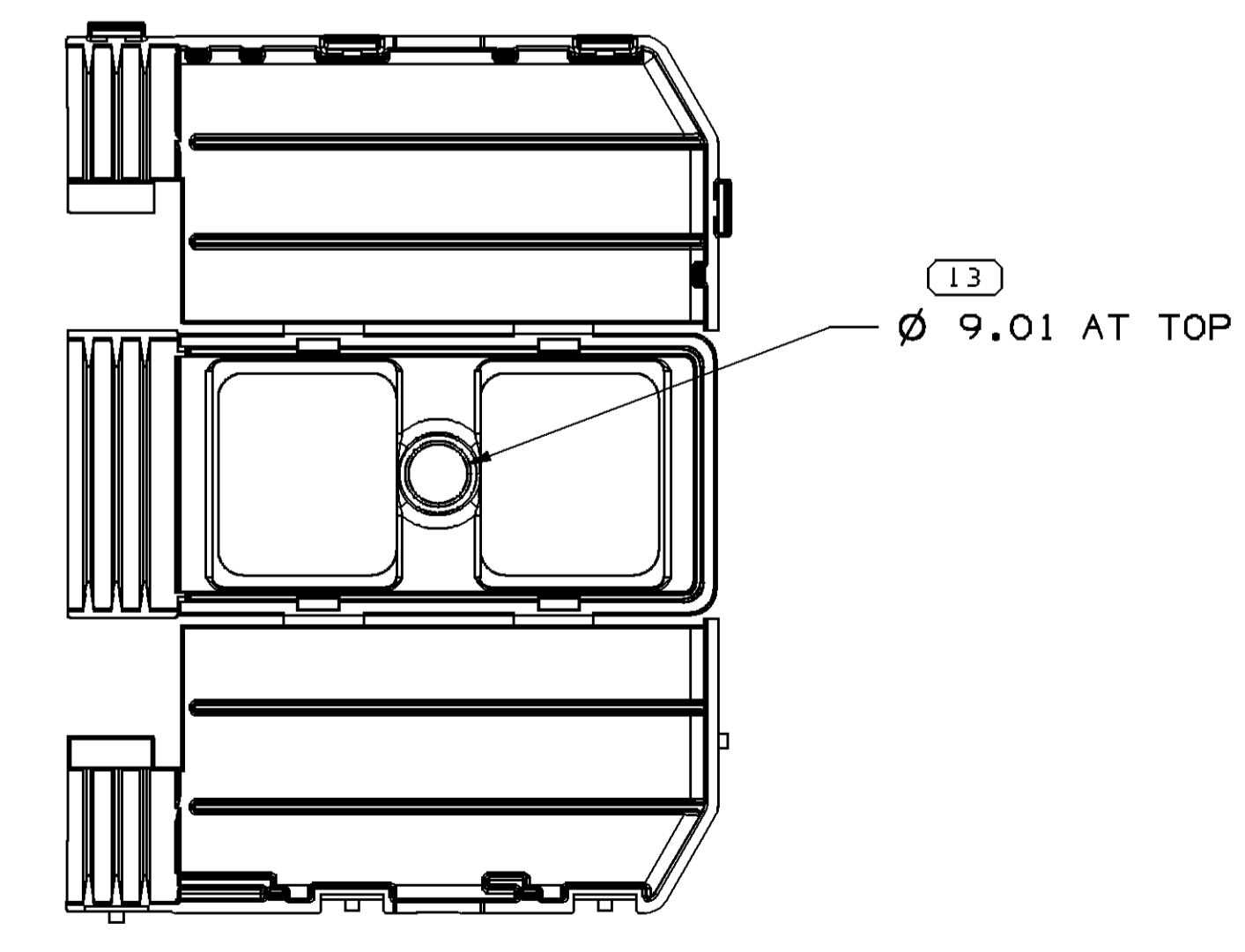


SYMBOL DEFINITION		TOTAL NO OF INSPECTIONS REQUIRED	MISSING SYMBOLS
A DIMENSION WITHOUT AN INSPECTION REPORT SYMBOL DOES NOT REQUIRE INSPECTION. IT MAY BE CONTROLLED ON THE INDIVIDUAL COMPONENT DRAWING.		25	NO MISSING SYMBOL NUMBER
	LAST NO. USED	17	

DWS STATUS		REVISION HISTORY				AUTH	DR	APVD	APVD
DATE	STG	REV	IN/P	CHG	ZONE				
30JUL08	R	01	-	-	-	405441	JS	JS	JDS
06MY09	R	01	AA	-	-	407956	MDH	FKV	JDS
07AUG09	R	01	AB	-	-	408582	SGM	SGM	JDS
17AUG09	R	01	AC	-	-	408643	AUG	AUG	JDS
10SEP09	R	01	AD	-	-	408900	FKV	FKV	JDS
10JAN11	R	02	-	-	-	412888	DMC	DMC	TFD
07MAY11	R	02	AA	-	-	413553	ARC	ARC	TFD



ASSEMBLY VIEW (CLOSED COVER)



NOTES

- UNLESS OTHERWISE SPECIFIED AND/OR INDICATED:  
DIMENSIONS ARE TO FACE OF VIEW SHOWN AND AUTOMATICALLY ROUNDED BY COMPUTER FOR INSPECTION (SEE MATH MODEL FOR PRECISE DIMENSIONS). FOR ALL OTHER DIMENSIONS NOT SHOWN BUT REQUIRED FOR TOOL BUILD, SEE MATH MODEL FOR PRECISE TOOL PATH DATA.
- MATERIAL RECYCLING CODE PER ISO 11469. (2,3)X(0,1) CHARACTERS AS SHOWN TO BE LOCATED ON ANY EXTERIOR SURFACE.
- (2,3)X(0,1) DELPHI CORPORATE BRAND TO BE LOCATED ON ANY EXTERIOR SURFACE, PREFERABLY VISIBLE AT FINAL ASSEMBLY. OPTIONAL CONSTRUCTION TO BE "PED".
- REFERENCE MATING COMPONENTS OR EQUIVALENT:  
CONNECTOR - 15472332  
CONDUIT - SIZE 30MM
- THIS PRODUCT IS NOT CATEGORIZED AS AN APPEARANCE ITEM, MINOR IMPERFECTIONS INCLUDING, BUT NOT LIMITED TO, FLOW MARKS, COLOR BLEMISHES, GATE VESTIGE, AND SOFT FLASH THAT DO NOT AFFECT THE FIT, FORM, OR FUNCTION OF THE PART ARE PERMISSIBLE PER DPNP-4.7-CS-01.
- BACK SHELL COVER TO MATING FEMALE CONNECTOR ENGAGE FORCE IS 140N MAXIMUM.

DIMENSIONAL RANGE (MM)	CHART E1
FROM > 0	> 20
TO > 20	> 30
> 30	> 40
> 40	> 50
> 50	> 60
> 60	> 70
> 70	> 80
> 80	> 90
> 90	> 100
> 100	> 150
> 150	> 200
> 200	> 250
> 250	> 300
> 300	> 400

**DELPHI**  
DELPHI PACKARD ELECTRICAL/ELECTRONIC ARCHITECTURE  
WARREN, OH

DR	DATE
APV01 JOE SUDIK	30JUL08
APV02 JOE SUDIK	30JUL08
APV03 JOHN SCHNEIDER	30JUL08
APV04	

THIS DOCUMENT IS IN ACCORDANCE WITH ASME Y14.5M-1994 AS MODIFIED BY THE 2003 SUPPLEMENT AND TELEPHONING ADDENDUM-2001. SEPARATE PATTERNS OF FEATURES MAY BE SHOWN SEPARATELY REGARDLESS OF DATUM REFERENCES.

ALL DIMENSIONS ARE IN MILLIMETERS

UNLESS OTHERWISE SPECIFIED

REFERENCE

THIRD ANGLE PROJECTION

DO NOT SCALE

USE MATH DATA

DRAWING NAME: COV CONN CLIP CDT

DRAWING NUMBER: 13669373

SIZE: A0 SCALE: 1:1 FRAME NO: 1 SHEET NO: 1 OF 1 REV: 02 IN/P: AA

## X-ON Electronics

Largest Supplier of Electrical and Electronic Components

*Click to view similar products for [Automotive Connectors](#) category:*

*Click to view products by [APTIV](#) manufacturer:*

Other Similar products are found below :

[003-018-000](#) [60403001](#) [60993906-B](#) [629515004020001](#) [M902-2131](#) [M902-2161](#) [72.330.1035.1](#) [73.353.4028.0](#) [F119300-B](#) [F166900](#)  
[F258300-B](#) [F358300-B](#) [F407400](#) [F444110](#) [F487000](#) [F509500B-B](#) [827153-1](#) [8N1515-32-24P](#) [9-1326729-8](#) [925474-1](#) [928905-1](#) [964562-4](#)  
[968782-1](#) [GT17SA-8DS-HU](#) [98891-1012](#) [98947-1016](#) [12004475-L](#) [12010290](#) [12010309-B](#) [12015454](#) [12020219-B](#) [12020308](#) [12041318-B](#)  
[12052225-L](#) [12052466](#) [12059125](#) [12064869](#) [12004327-B](#) [12010503-B](#) [12015308](#) [12015384](#) [12015909](#) [1-21030-1](#) [12041254](#) [12041318](#)  
[12047946-B](#) [12047957](#) [12047957-L](#) [12059473](#) [12066261](#)