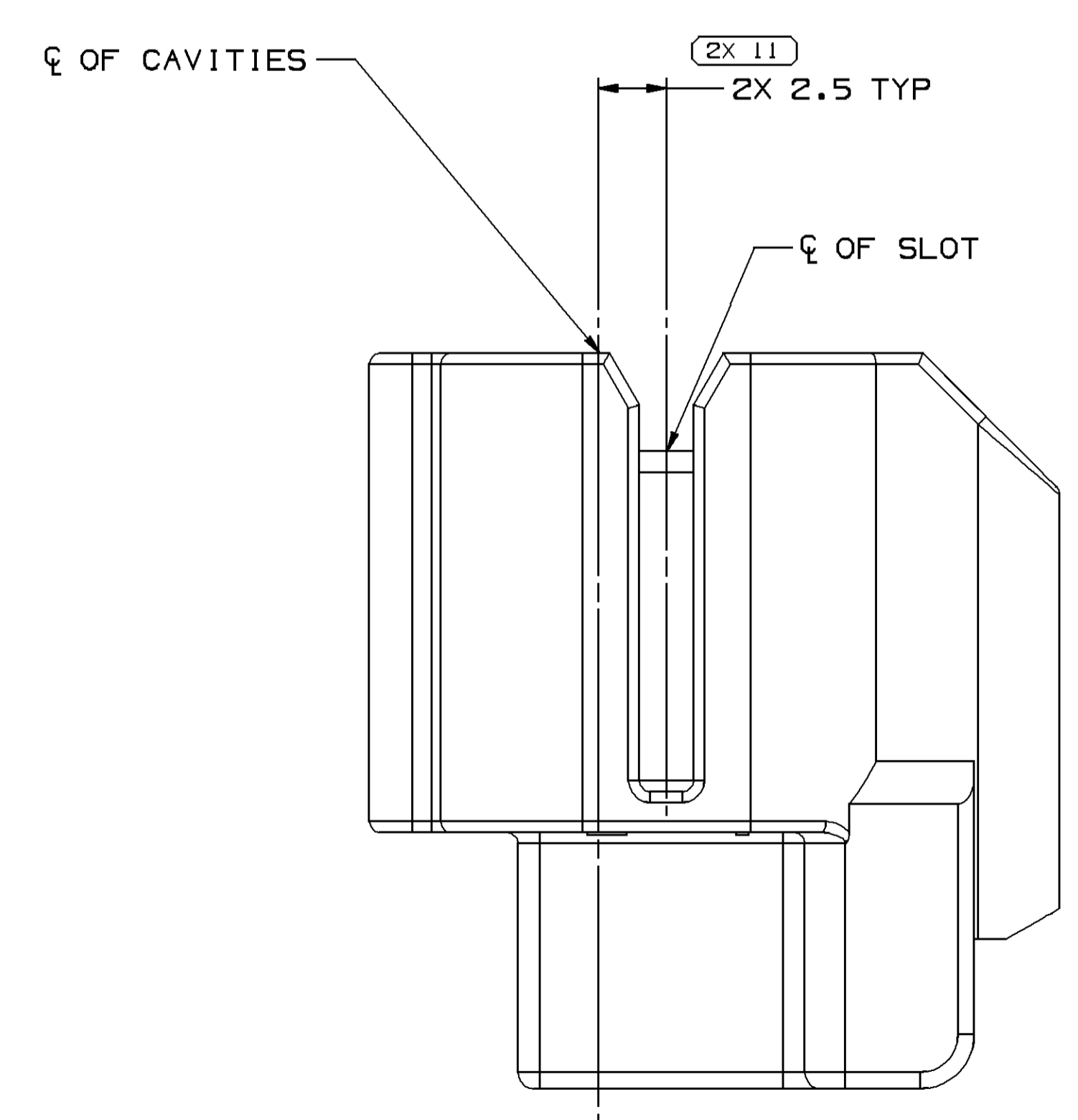
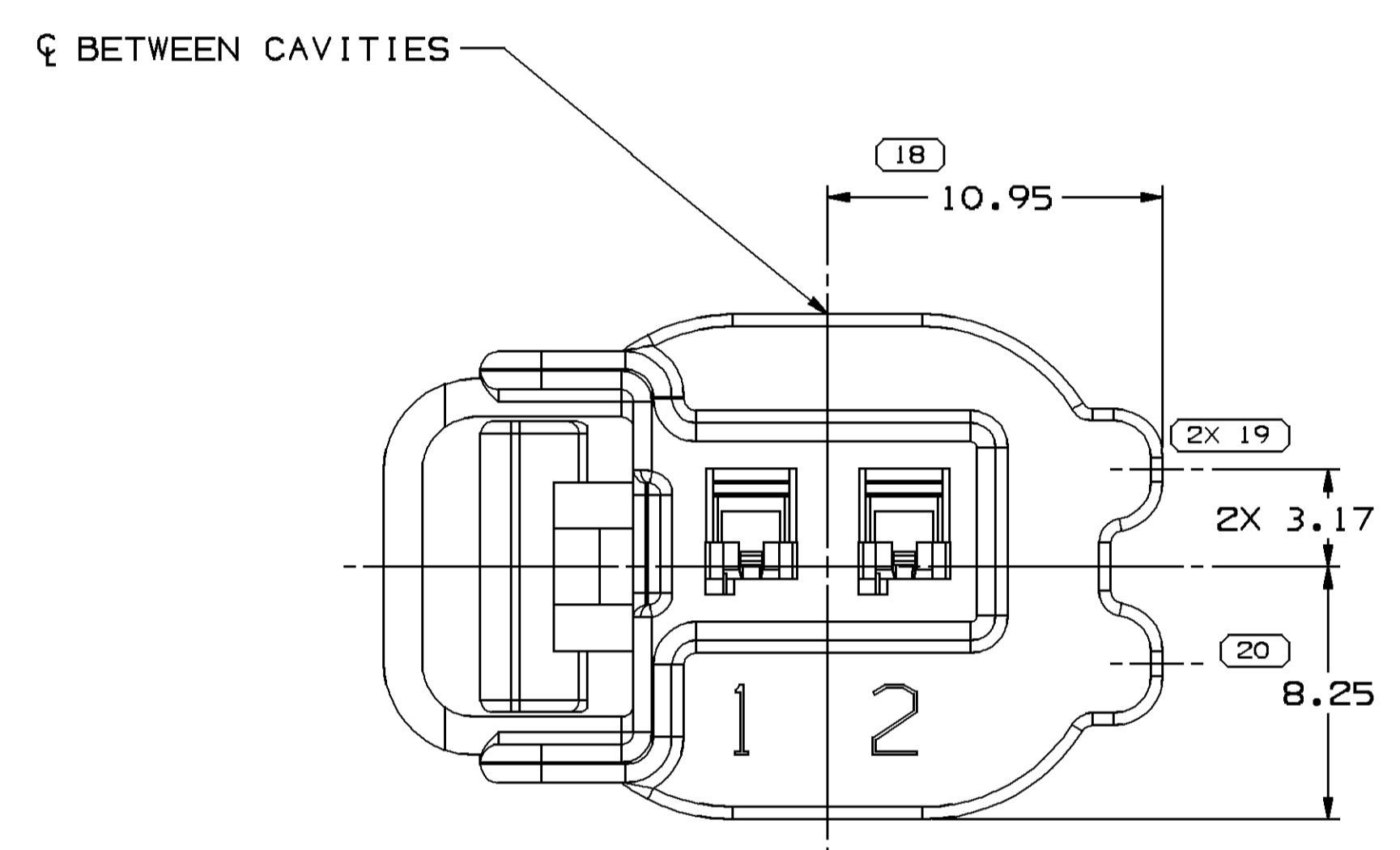
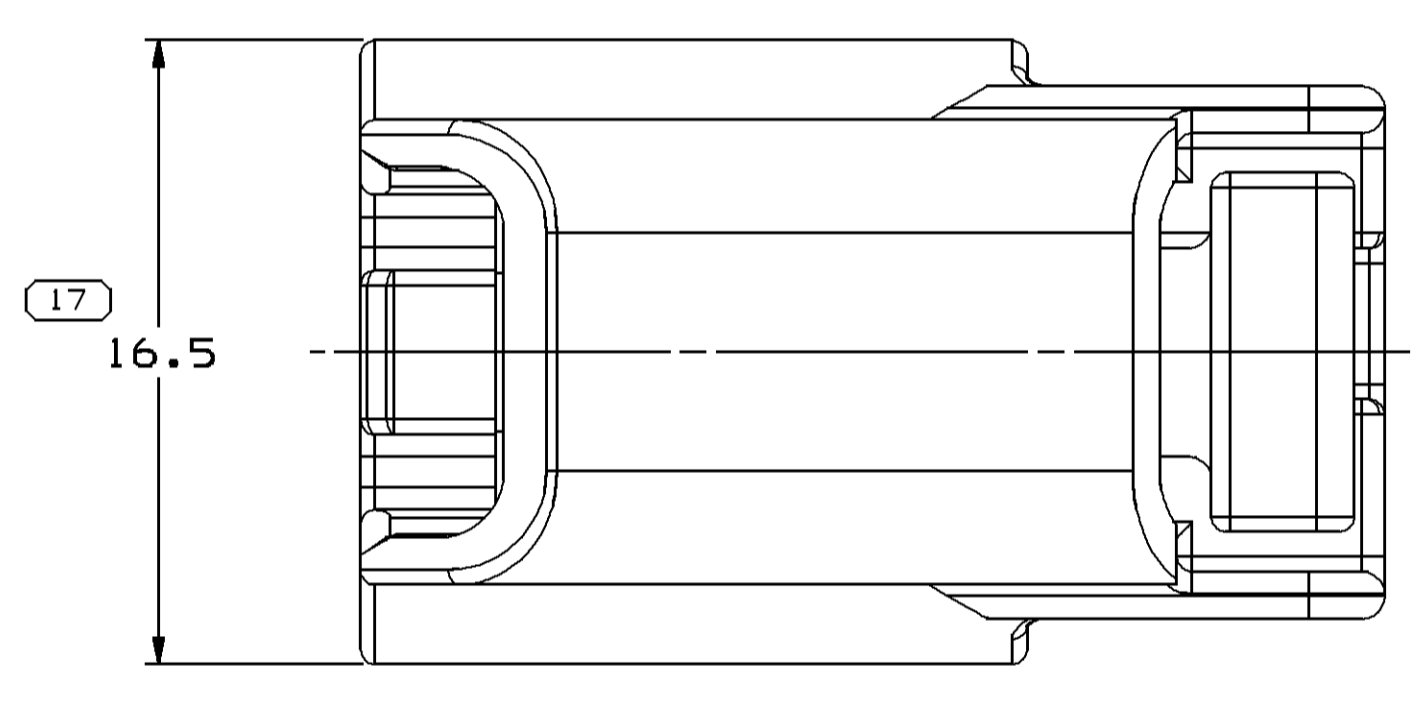
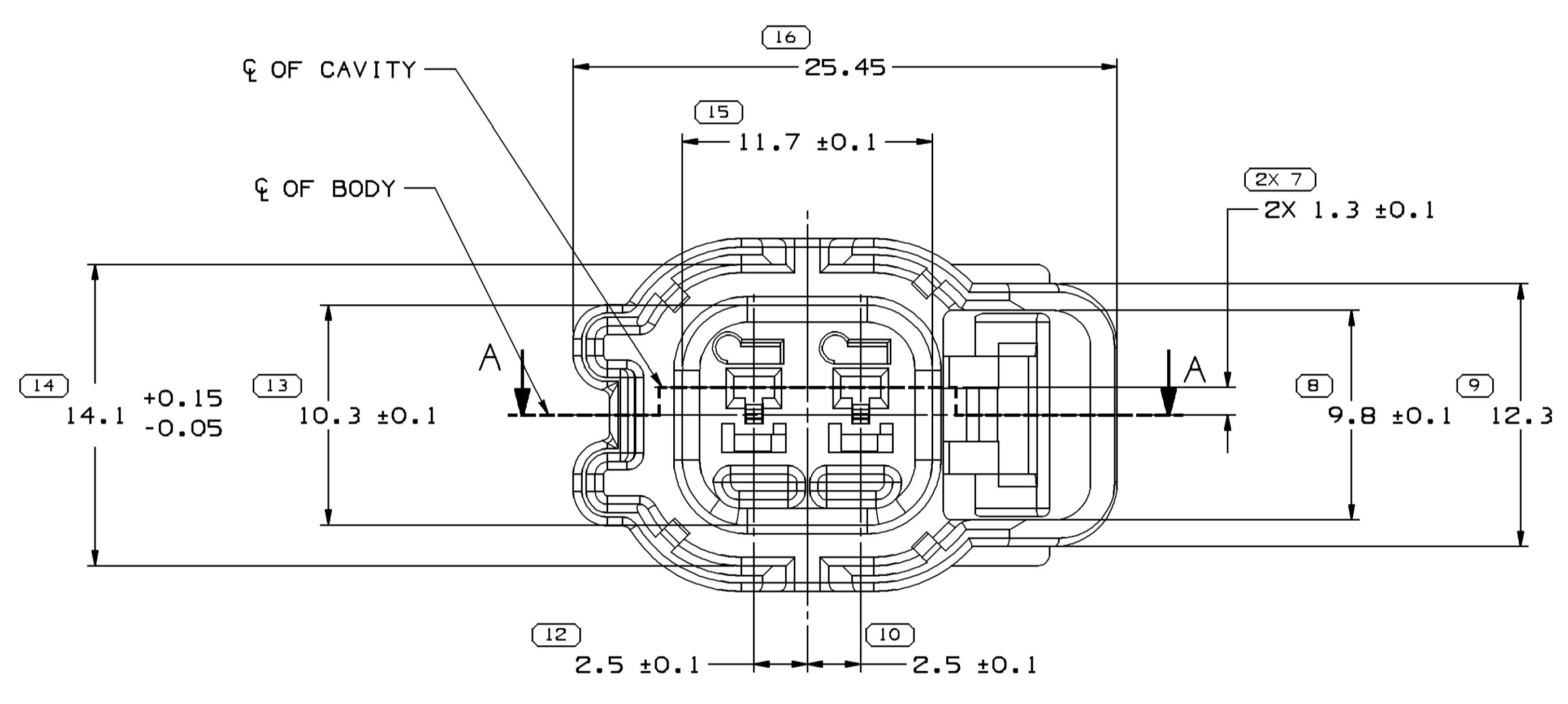
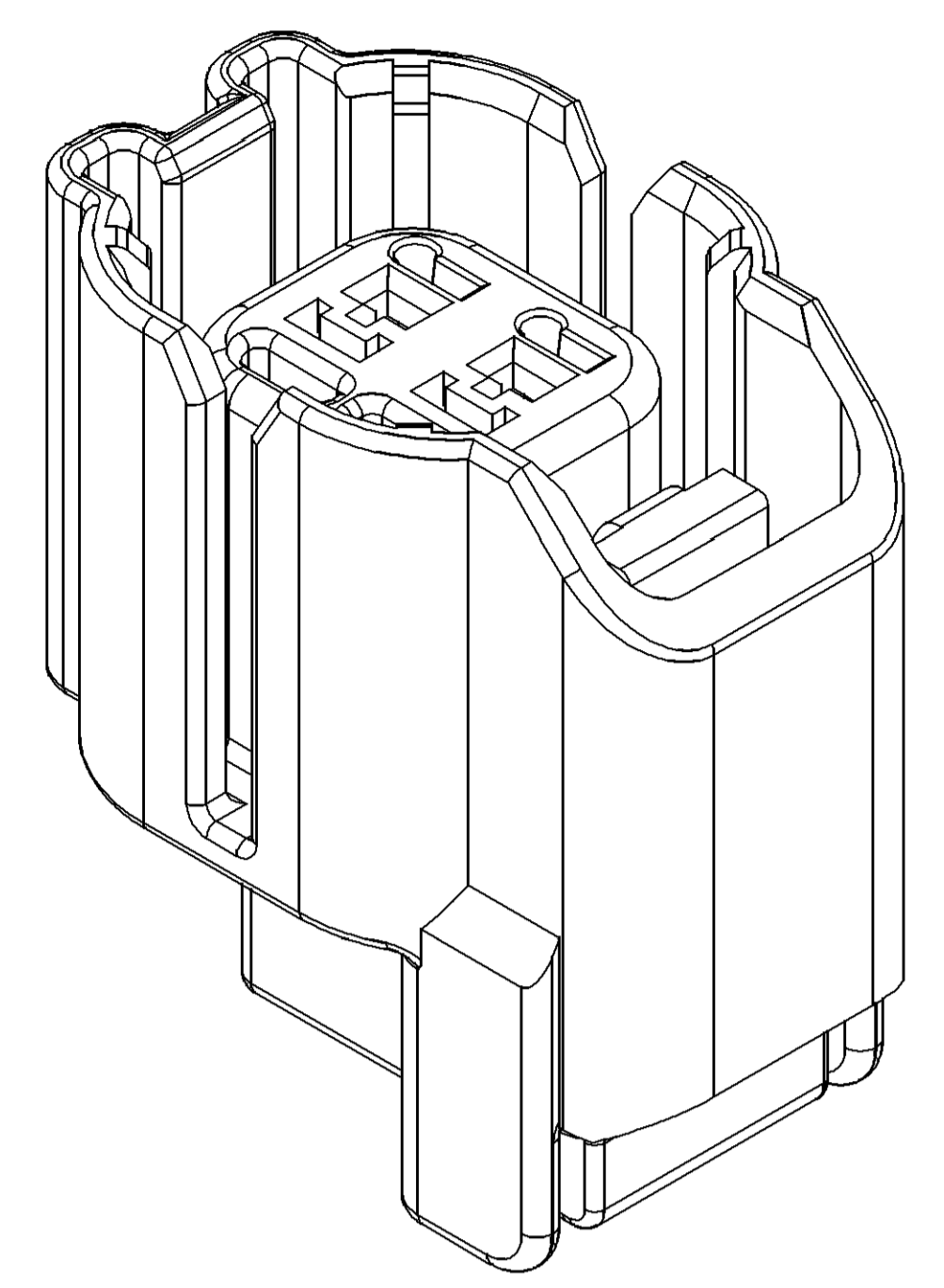
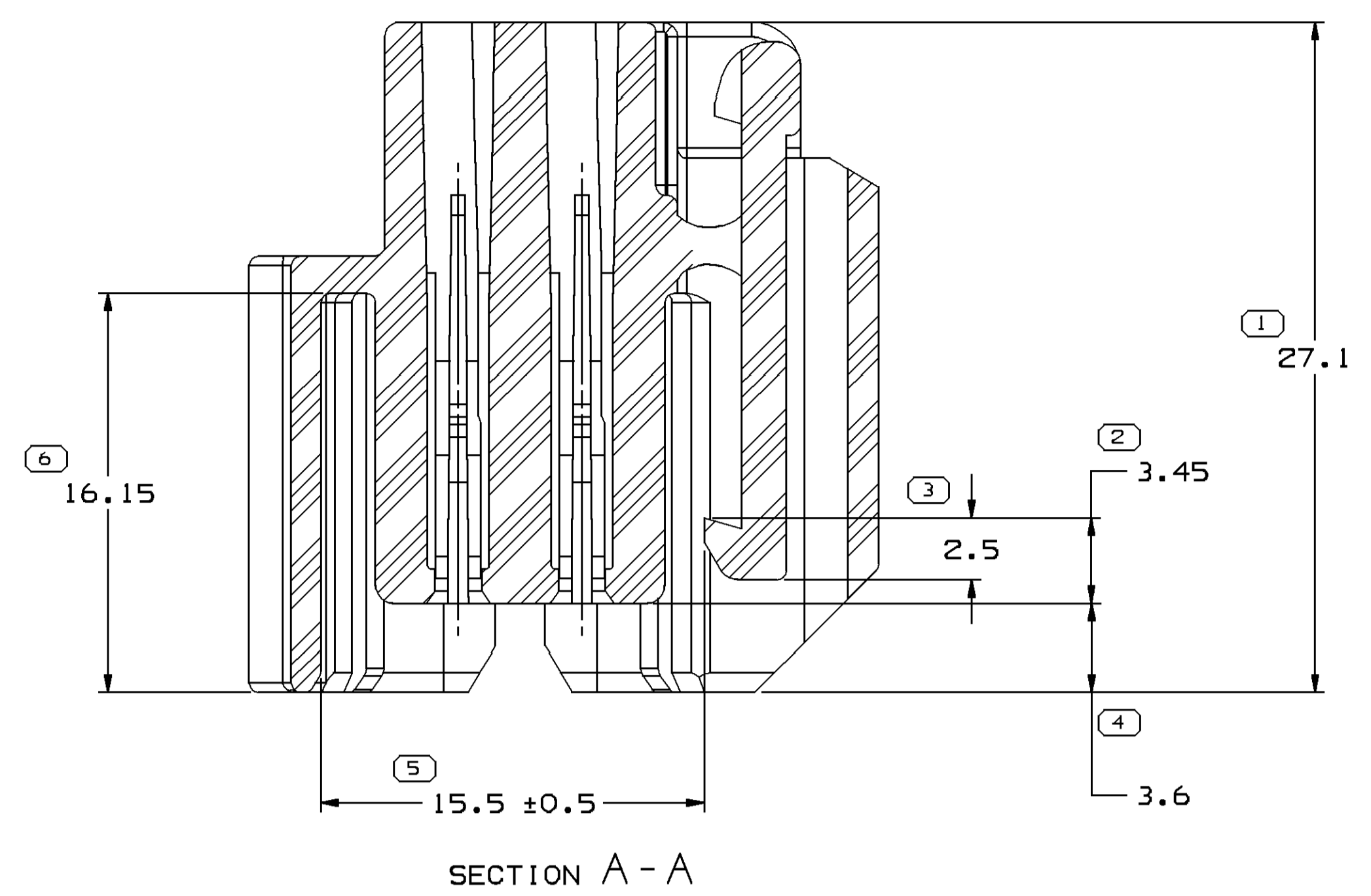


SYMBOL DEFINITION		TOTAL NO OF INSPECTIONS REQUIRED	MISSING SYMBOLS
A DIMENSION WITHOUT AN INSPECTION REPORT SYMBOL DOES NOT REQUIRE INSPECTION. IT MAY BE CONTROLLED ON THE INDIVIDUAL COMPONENT DRAWING.		23	NO MISSING SYMBOL NUMBER
LAST NO. USED		20	

DWG STATUS				REVISION HISTORY				AUTH	DR	AP/VD
DATE	STD	REV	N/P	CHG	ZONE					
28MR08	R	01	-	-		RELEASE PD DRAWING	404236	JBN	JWG	EZ
29MY08	R	02	-	-		REVISED DIM. #2 3.45+/-0.15 WAS 3.95+/-0.15	404890	JBN	JWG	EZ
15AU08	R	02	AA	-		ADDED NOTE 5	405767	JBN	JWG	EZ



- NOTES
- UNLESS OTHERWISE SPECIFIED AND/OR INDICATED:
DIMENSIONS ARE TO FACE OF VIEW SHOWN AND AUTOMATICALLY ROUNDED BY COMPUTER FOR INSPECTION (SEE MATH MODEL FOR PRECISE DIMENSIONS). FOR ALL OTHER DIMENSIONS NOT SHOWN BUT REQUIRED FOR TOOL BUILD, SEE MATH MODEL FOR PRECISE TOOL PATH DATA.
 - THIS PART ACCEPTS THE FOLLOWING COMPONENTS OR EQUIVALENT:
TERMINAL 13526678
 - FOR APPLICATION DATA SEE THE APPLICATION DRAWING.
 - DRAFT ANGLE PERMISSIBLE ONLY WITHIN DRAWING TOLERANCE.
 - TERMINAL POSITION REQUIRES THE USE OF A DELPHI PACKARD NORTH AMERICA ELECTRICAL TEST HOLDER OR A DELPHI PACKARD NORTH AMERICA APPROVED EQUIVALENT. FAILURE TO DO SO CAN RESULT IN UNSEATED TERMINALS.

DIMENSIONAL RANGE (MM)		SHORT ET
FROM	TO	
> 0	> 20	> 30
> 20	> 30	> 70
> 30	> 70	> 100
> 70	> 100	> 150
> 100	> 150	> 200
> 150	> 200	> 250
> 200	> 250	> 300
> 250	> 300	> 400
TOLERANCE UNLESS OTHERWISE SPECIFIED		
±0.15	±0.2	±0.3
±0.3	±0.4	±0.5
±0.5	±0.6	±0.8
±1	±1.2	±1.5
ANGULAR TOLERANCE 30°		

DIMS. IN () INDICATE REFERENCE DIMENSIONS AND NO TOLERANCE LIMITS ARE ESTABLISHED	
(15)	PROCESS SENSITIVE DIMENSION

DWG TYPE	
PART DRAWING	
STYLE	
VOLUME 10/1	DISTR CODE
3,807	D
UNLESS OTHERWISE SPECIFIED	
THIS DOCUMENT IS IN ACCORDANCE WITH ASME Y14.5M-1994 AS AMENDED BY THE IN-SUPPLY DIMENSIONING AND TOLERANCE ADDENDUM-2001. SEPARATE WRITINGS OF FEATURES MAY BE BASED SEPARATELY PER HOLDERS OF DWTN REFERENCES.	
ALL DIMENSIONS ARE IN MILLIMETERS	
REFERENCE	
THIRD ANGLE PROJECTION	DO NOT SCALE
USE MATH DATA	NX

DELPHI
DELPHI PACKARD ELECTRIC SYSTEMS
WARREN, OH

DR	DATE
APV01 JIANBIAO NI	28MR08
APV02 KUN WU	28MR08
APV03 JIANWEI GUO	28MR08
APV04 ERIC ZHOU	28MR08
APV05	

SUBSTANCES OF CONCERN AND RECYCLED CONTENT PER DELPHI 10949001

MATERIAL: POLYESTER BLEND

DRAWING NAME: CONN 2 F GT FBT 150

DRAWING NUMBER: 13699622

SIZE	SCALE	FRAME NO	SHEET NO	STG	REV	N/P
A0	5:1	1	1	1	02	AA

Date: 05-Aug-08 Time: 11:25

X-ON Electronics

Largest Supplier of Electrical and Electronic Components

Click to view similar products for [Automotive Connectors](#) category:

Click to view products by [APTIV](#) manufacturer:

Other Similar products are found below :

[003-018-000](#) [60403001](#) [60993906-B](#) [629515004020001](#) [M902-2131](#) [M902-2161](#) [72.330.1035.1](#) [73.353.4028.0](#) [F119300-B](#) [F166900](#)
[F258300-B](#) [F358300-B](#) [F407400](#) [F444110](#) [F487000](#) [F509500B-B](#) [827153-1](#) [8N1515-32-24P](#) [9-1326729-8](#) [925474-1](#) [928905-1](#) [964562-4](#)
[968782-1](#) [GT17SA-8DS-HU](#) [98891-1012](#) [98947-1016](#) [12004475-L](#) [12010290](#) [12010309-B](#) [12015454](#) [12020219-B](#) [12020308](#) [12041318-B](#)
[12052225-L](#) [12052466](#) [12059125](#) [12064869](#) [12004327-B](#) [12010503-B](#) [12015308](#) [12015384](#) [12015909](#) [1-21030-1](#) [12041254](#) [12041318](#)
[12047946-B](#) [12047957](#) [12047957-L](#) [12059473](#) [12066261](#)