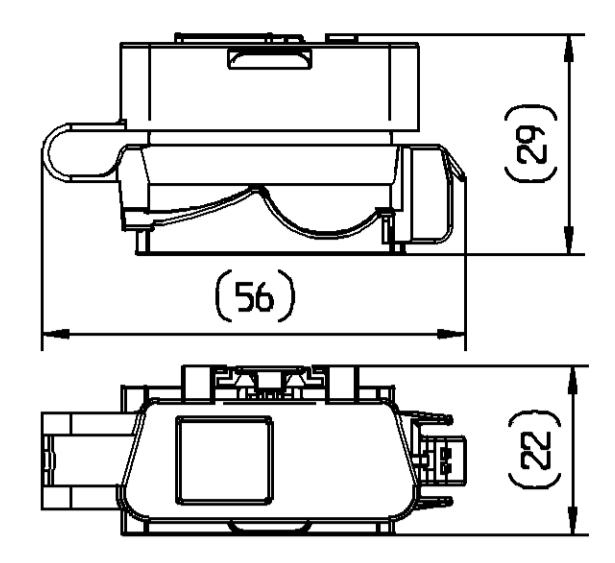
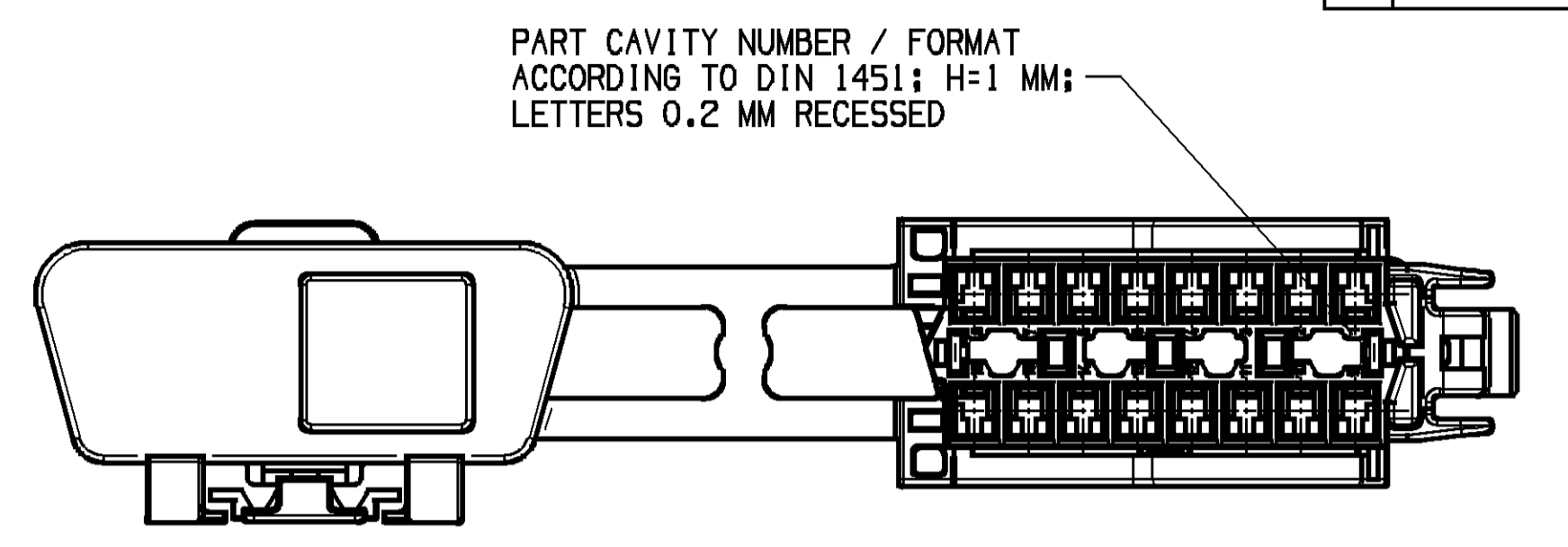
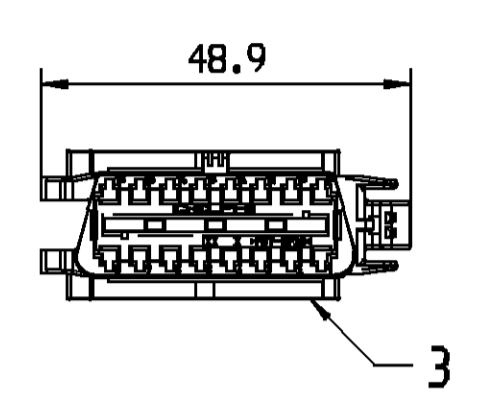


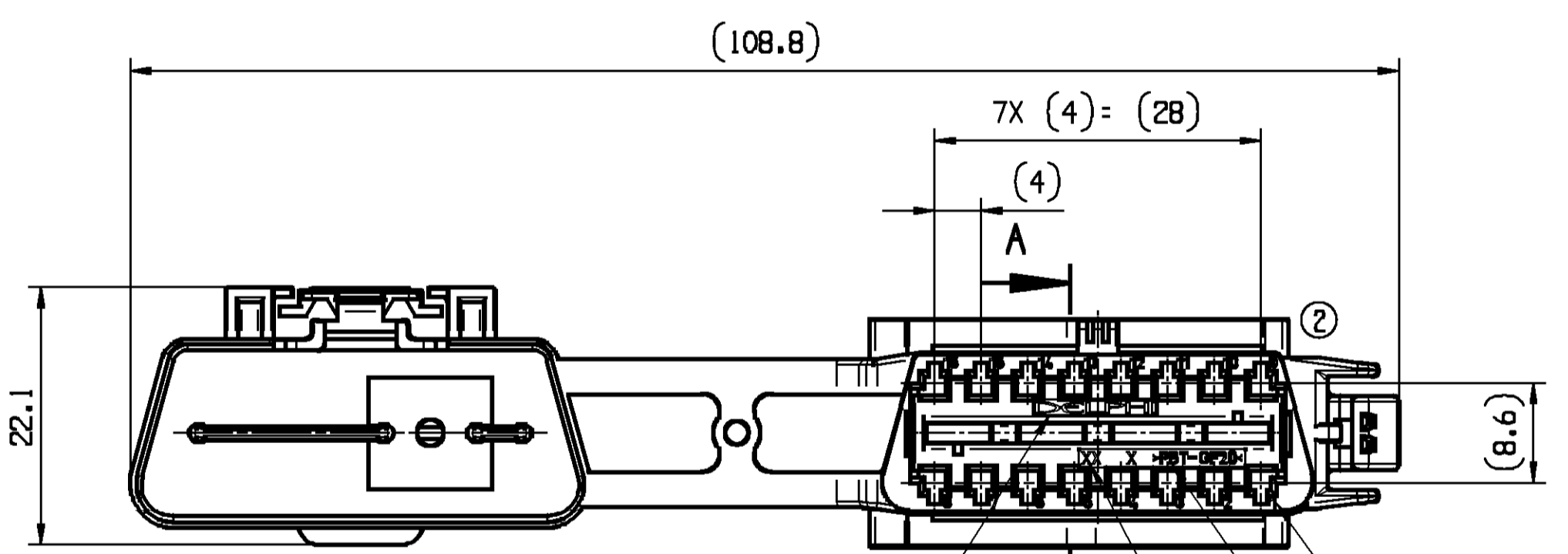
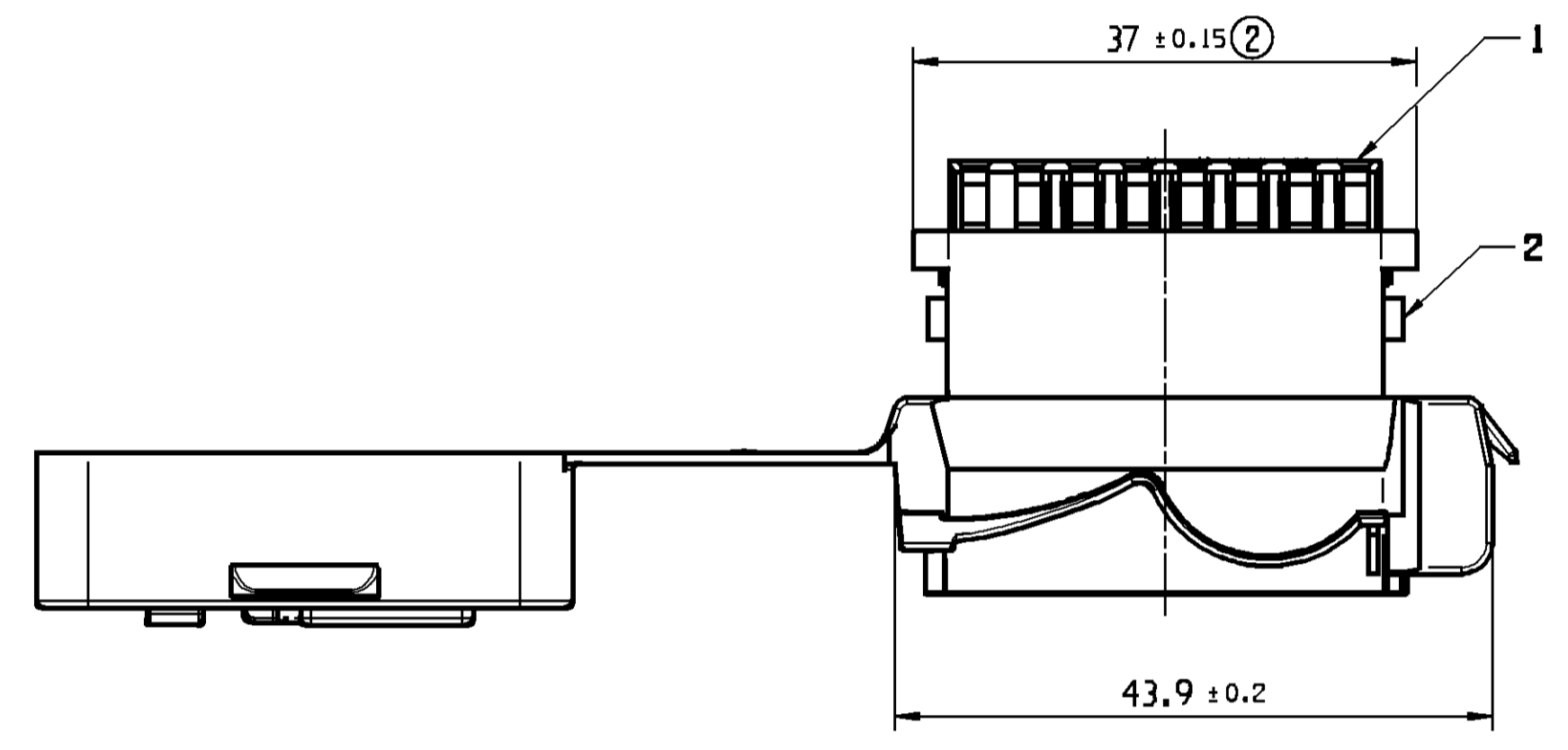
PART IN CLOSED POSITION



VAR B -PART-NO. 13800154



PART CAVITY NUMBER / FORMAT
ACCORDING TO DIN 1451; H=1 MM;
LETTERS 0.2 MM RECESSED

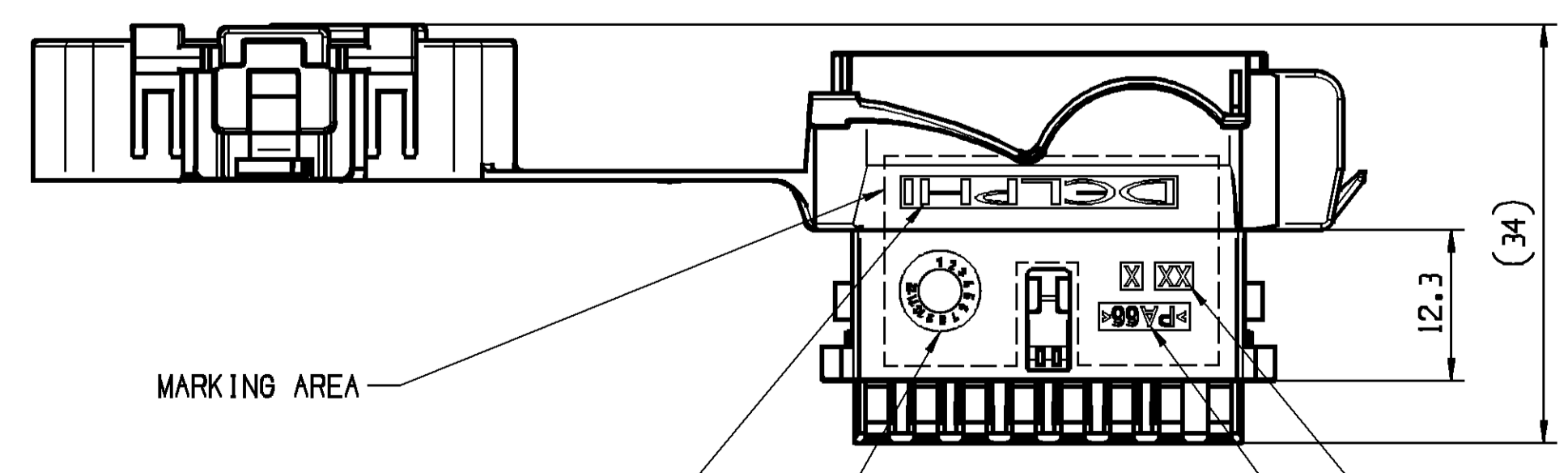


MANUFACTURER MARK A=1.0 MM
FORMAT ACCORDING TO DS 11001

PART CAVITY NUMBER / FORMAT
ACCORDING TO DIN 1451; H=1 MM;
LETTERS 0.2 MM RECESSED

TOOL CAVITY NUMBER / FORMAT
ACCORDING TO DIN 1451; H=1.6 MM

MATERIAL NAME ACCORDING TO VDA 260 /
FORMAT ACCORDING TO DIN 1451; H=1.6 MM



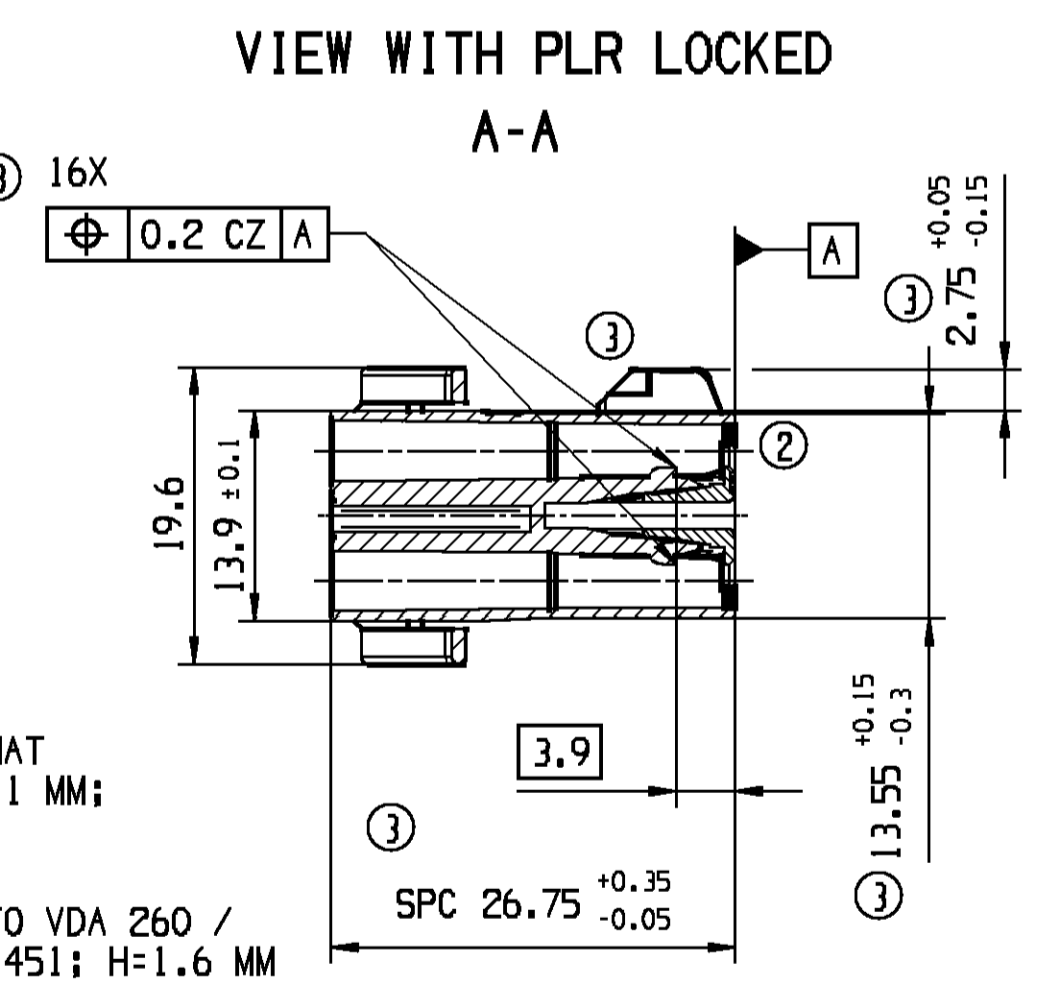
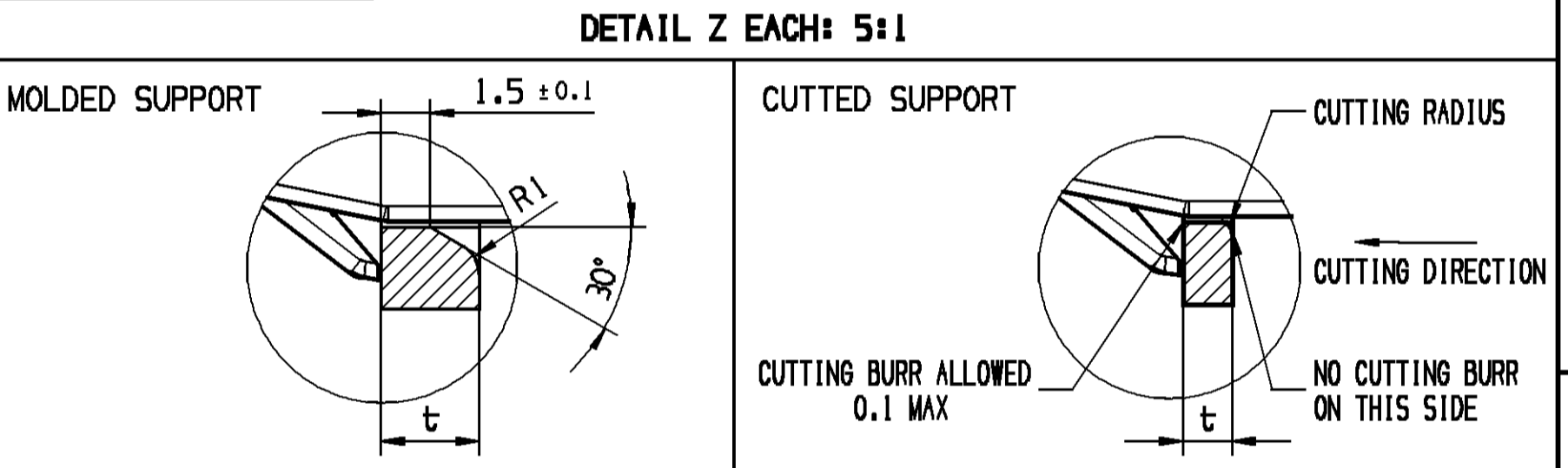
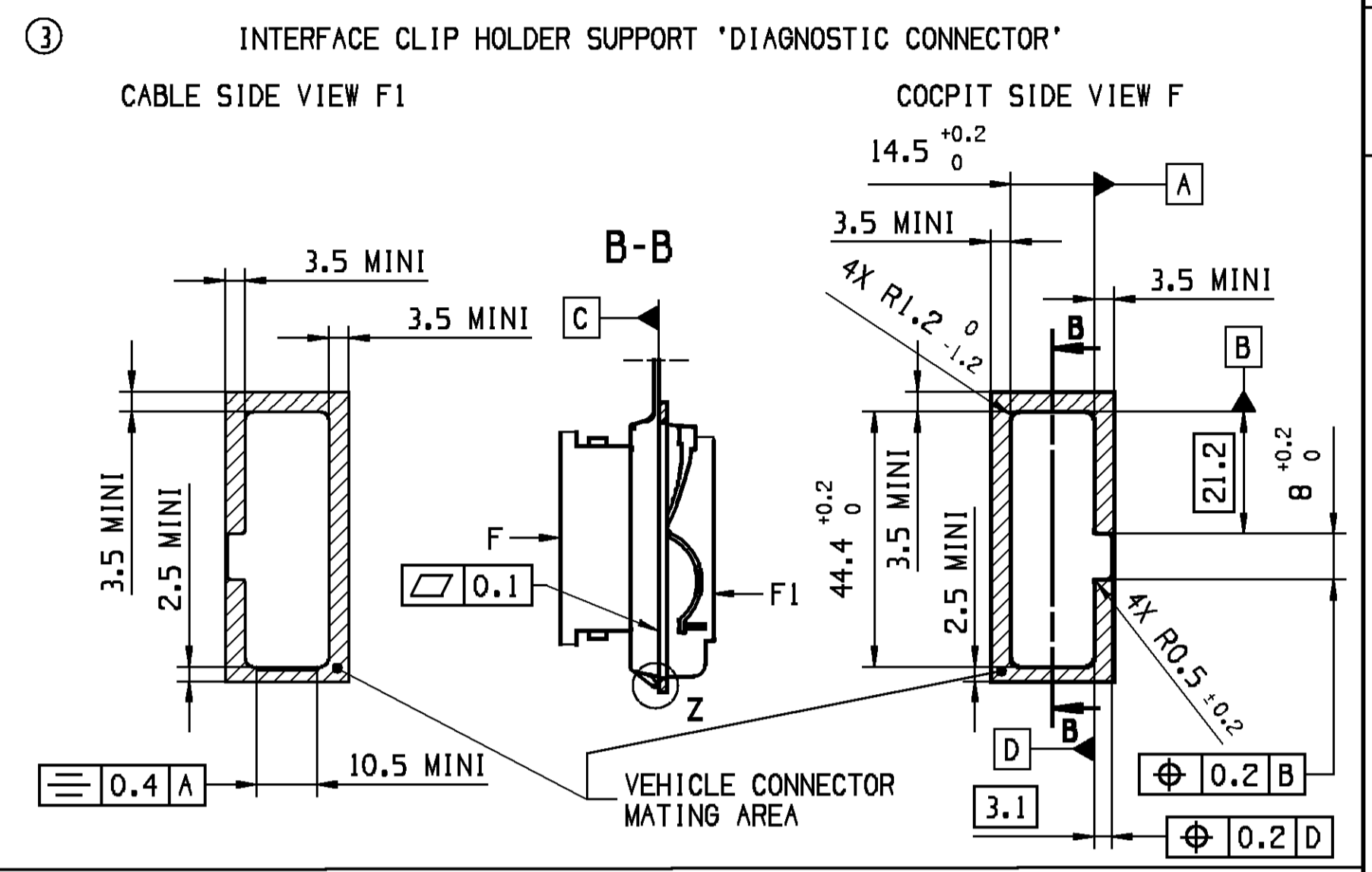
MANUFACTURER MARK A=1.6 MM
FORMAT ACCORDING TO DS 11001

TOOL CAVITY NUMBER / FORMAT
ACCORDING TO DIN 1451; H=1.6 MM

DATE INSERT SIMILAR FIRM OPITZ 06;
HAS TO BE THE MANUFACTURING DATE

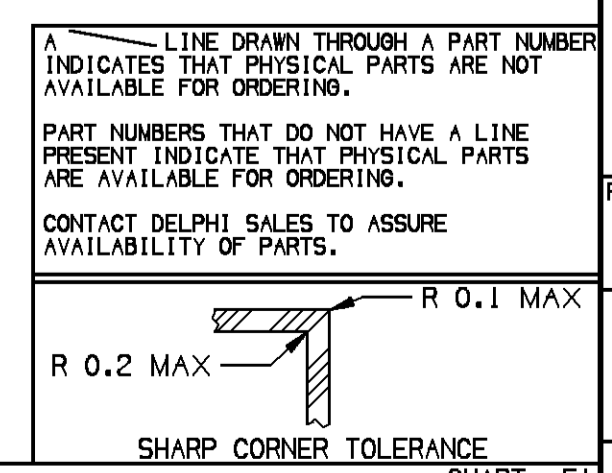
MATERIAL NAME ACCORDING TO VDA 260 /
FORMAT ACCORDING TO DIN 1451; H=1.6 MM

VAR	TITLE	PART-NO.:	PART-REV	DATE	AMOUNT	MATERIAL	SIMILAR TO RAL	NOTES
A	FEMALE CONNECTOR 16 WAY WITH CAP ASS.	13800155	03	14MY13	---	---	---	CONDITION OF DELIVERY, POS. 1-2 ASSEMBLED
1	FEMALE HOUSING 16 WAY WITH CAP	13800094	---	---	1	PA66 GRA	7001	ONLY ASSEMBLED PARTS AVAILABLE
2	PLR	13800104	---	---	1	PBT-GF20 XF YEL	1021	ONLY ASSEMBLED PARTS AVAILABLE
B	FEMALE CONNECTOR 16 WAY ASSEMBLY	13800154	03	13MY13	---	---	---	CONDITION OF DELIVERY, POS. 2-3 ASSEMBLED
3	FEMALE HOUSING 16 WAY	13800089	---	---	1	PA66 BLK	7001	ONLY ASSEMBLED PARTS AVAILABLE
2	PLR	13800104	---	---	1	PBT-GF20 XF YEL	1021	ONLY ASSEMBLED PARTS AVAILABLE



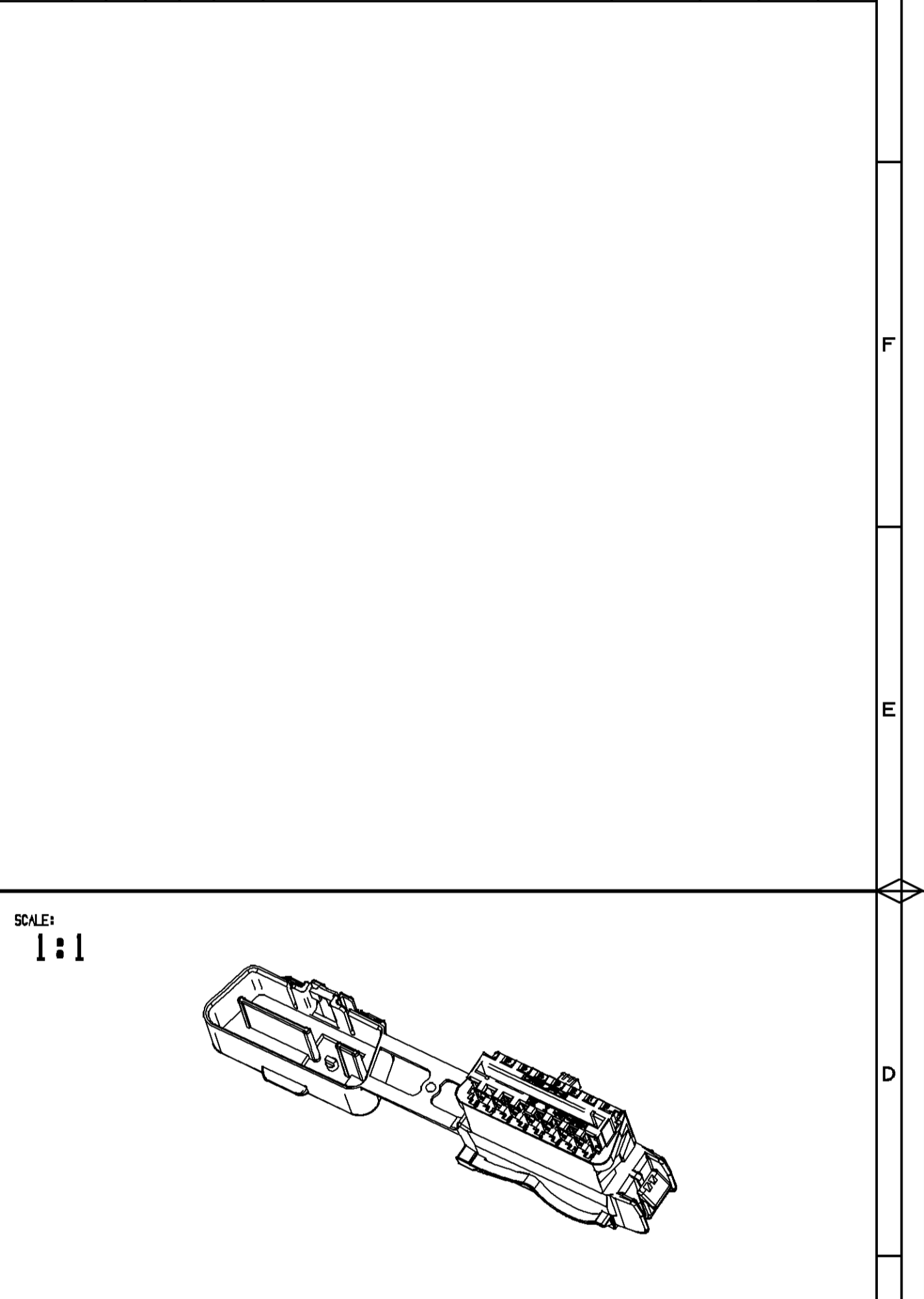
SUPPORT	t
CUTTED (STEEL)	1.5 ± 0.2
MOLDED: PA6.6-GF20 PA6.6-GF30 PBT-GF20 PBT-GF30	3.0 ± 0.2

- REMARKS:**
- MAXIMUM DRAFT ANGLE 0°30
 - LETTERS AND ENGRAVINGS 0.05/0.2 MM RAISED/RECESSED
 - SPC: STATISTICAL PROCESS CONTROL
 - FOR APPLICATION DATA SEE THE INDIVIDUAL APPLICATION DRAWINGS.



DIM TO CHECK	DIMENSIONAL RANGE (MM)										
	FROM	> 0	> 20	> 30	> 70	> 100	> 150	> 200	> 250	> 300	> 400
() DIM FOR HELP	TOLERANCE UNLESS OTHERWISE SPECIFIED	±0.15	±0.2	±0.3	±0.4	±0.5	±0.6	±0.8	±1	±1.2	ANGULAR TOLERANCE ±2°
□ THEORETIC DIM											

DWG STATUS				ZONE	REVISION HISTORY			AUTH	DR	APVD 1	APVD 2	
DATE	ISTG	REV/N	PIC/CH		DATE	REV	BY					
10DE09	R	01								P.LES	M.MLECZKO	W.SKR
28MY12	R	02		F8								
				D5								
				D5								
				D8						P.LES	M.MLECZKO	W.SKR
14MY13	R	03		D5						P.LES	M.MLECZKO	W.SKR
26JN13	R	03	AA	66								
			AB	C6						P.LES	M.MLECZKO	W.SKR



DELPHI
DELPHI PACKARD ELECTRICAL/ELECTRONIC ARCHITECTURE
KRAKOW, POLAND

COPYRIGHT 2009 DELPHI CORPORATION AND/OR ITS AFFILIATES. ALL RIGHTS RESERVED.
REVISED 2013

THIS DRAWING IS THE PROPERTY OF DELPHI CORPORATION AND CONTAINS DELPHI CONFIDENTIAL INFORMATION. THE REPRODUCTION, DISTRIBUTION AND UTILIZATION OF THIS DOCUMENT OR ITS RELATED CAD DATA, AS WELL AS COMMUNICATION OF ANY CONTENT TO OTHERS, WITHOUT EXPRESS AUTHORIZATION, IS PROHIBITED.

TEN RYSUNEK JEST WŁASNOSCIA DELPHI CORPORATION I ZAWIERA POUFNE INFORMACJE. POWIELANIE, ROZPOWISZCZANIE I WYKORZYSTANIE TEGO DOKUMENTU LUB ZWIĄZANYCH Z NIM DANYCH CAD, JAK RÓWNIEŻ PRZEKAZYWANIE INNYM JAKIEKOLWIEK ICH ZAWARTOSCI, BEZ NADANIA WYRAZNYCH UPRAWNIEN, JEST ZABRONIONE.

DR	DATE
P.LESNIAK	09DE09
M.MLECZKO	10DE09
M.SIKORA	03MR11

MATERIAL: SEE CHART

DRAWING NAME: OBD-2 FEMALE CONNECTOR 16WAY SICMA 1.5

DRAWING NUMBER: 13800105

SIZE: A1 SCALE: 2:1 FRAME NO: 1 OF 1 SHEET NO: 1 OF 1 STG: R REV: 03 AB

X-ON Electronics

Largest Supplier of Electrical and Electronic Components

Click to view similar products for [Automotive Connectors](#) category:

Click to view products by [APTIV](#) manufacturer:

Other Similar products are found below :

[003-018-000](#) [60993906-B](#) [M902-2131](#) [M902-2161](#) [M902-2344](#) [72.330.1035.1](#) [73.353.4028.0](#) [F166900](#) [F358300-B](#) [F407400](#) [776880-1](#)
[827153-1](#) [8N1515-32-24P](#) [9-1326729-8](#) [925474-1](#) [928905-1](#) [964562-4](#) [968782-1](#) [98891-1012](#) [12004475-L](#) [12020308](#) [12041318-B](#)
[12052466](#) [12064869](#) [12015909](#) [1-21030-1](#) [12041254](#) [12041318](#) [12047946-B](#) [12110546-B](#) [12131792](#) [12084688](#) [12092346](#) [HD34-18-14PT](#)
[HD46-24-23SN-059](#) [HDB36-24-16PN-059](#) [HDP26-24-9SE-L015](#) [12185280](#) [12185550](#) [12336-12](#) [12191172-B](#) [12S](#) [13545280](#) [13577943](#)
[13681974](#) [13737722-B](#) [13830674](#) [13832576](#) [13849772](#) [13542772](#)