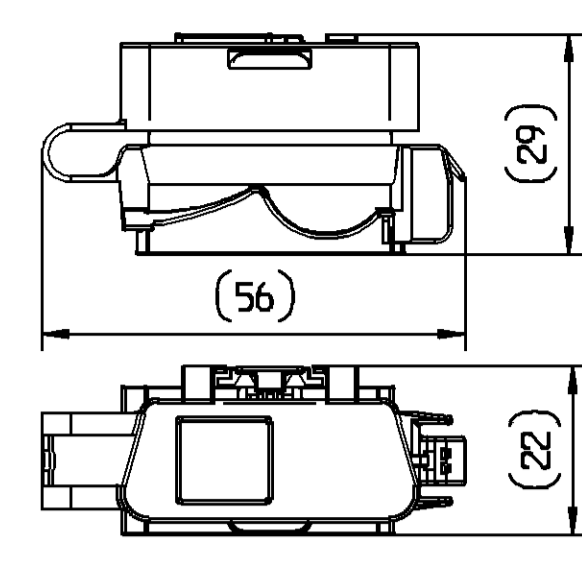
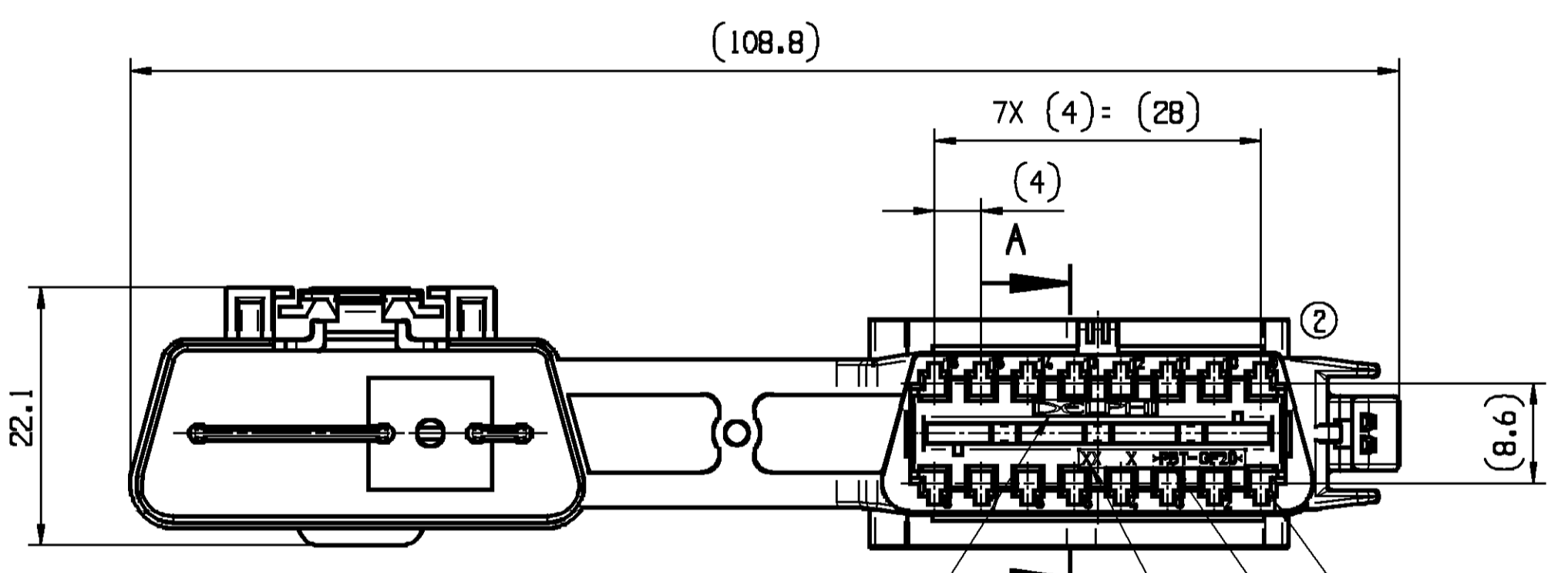
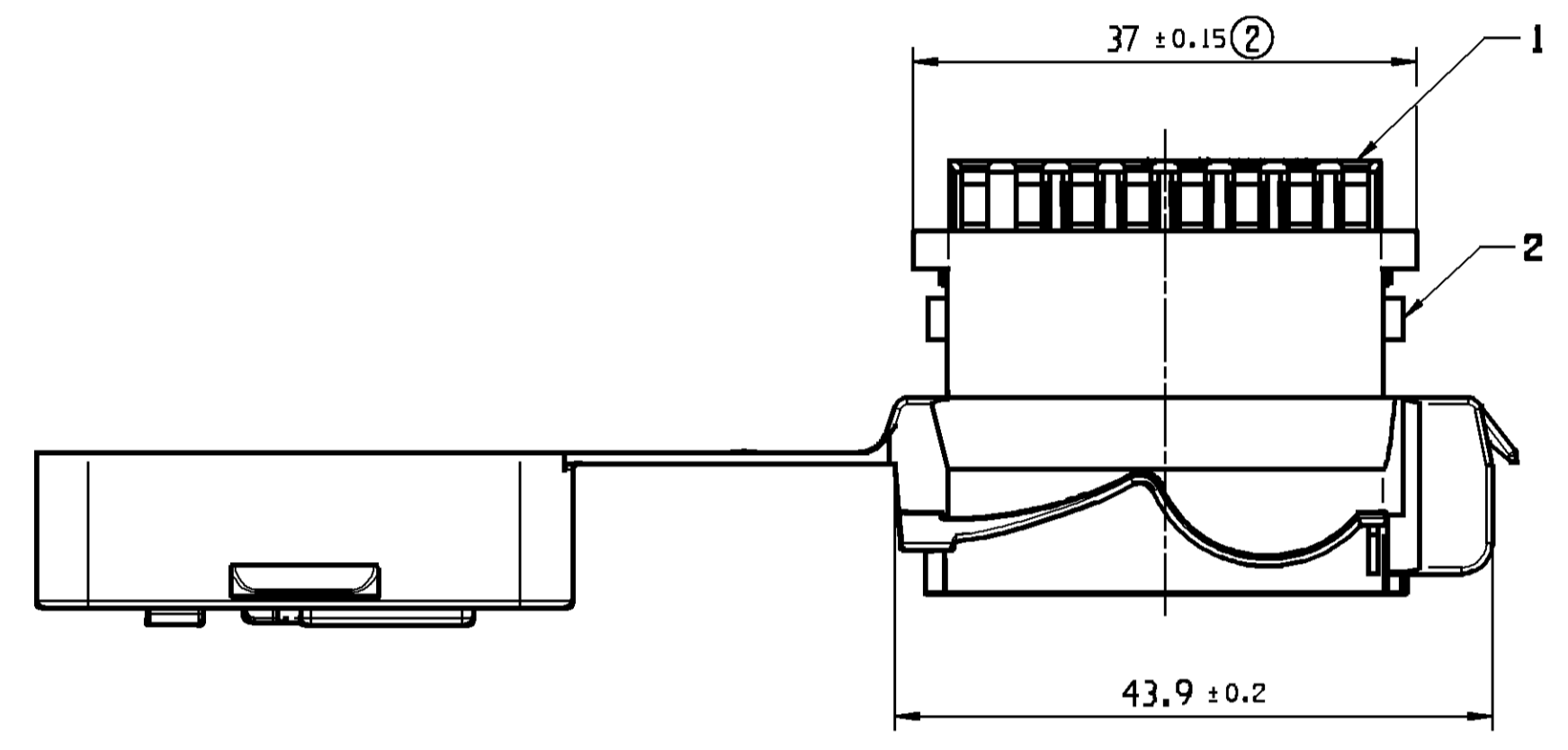
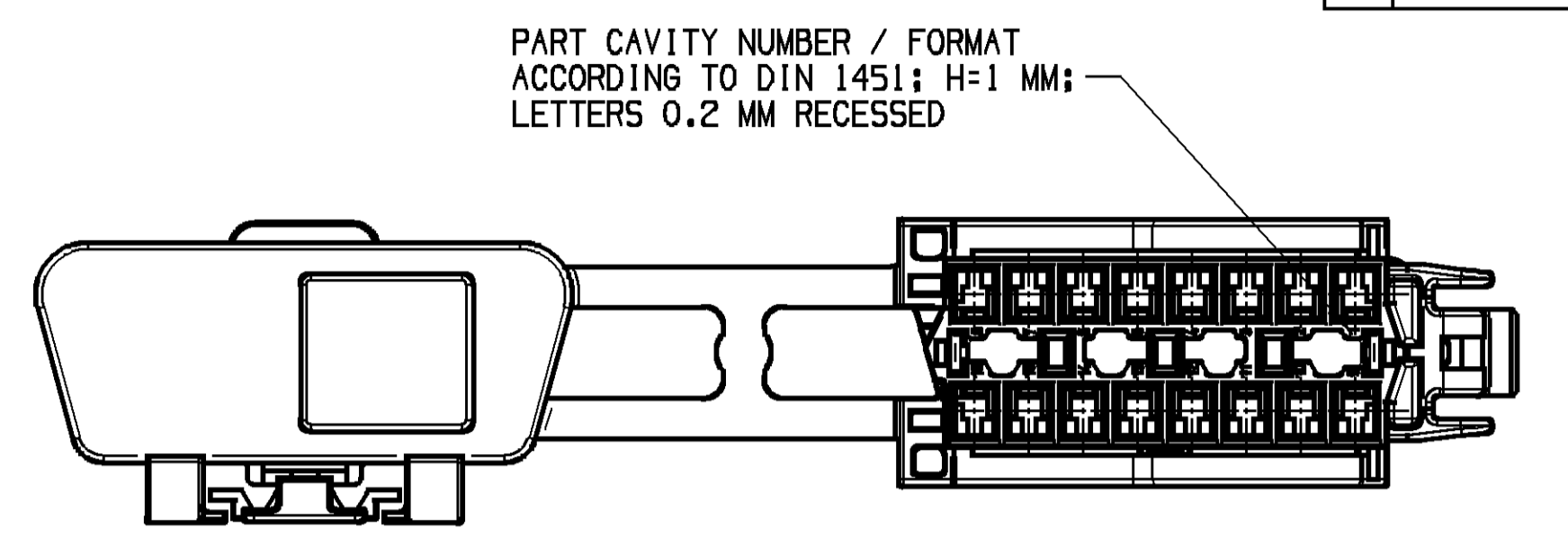
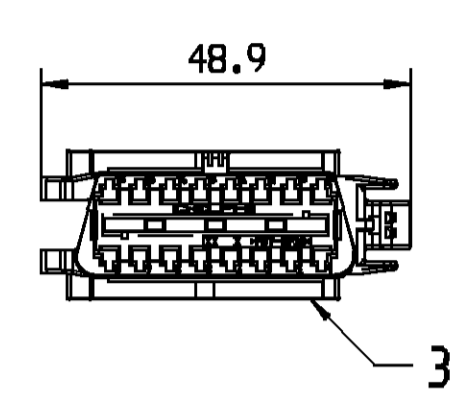


PART IN CLOSED POSITION



VAR B -PART-NO. 13800154

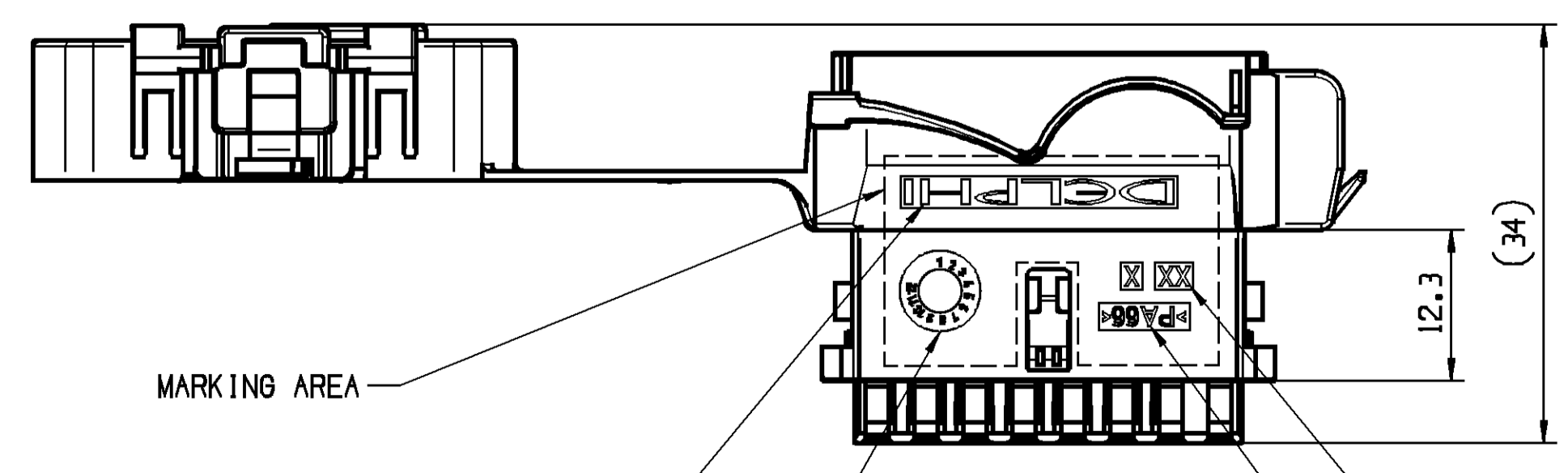


MANUFACTURER MARK A=1.0 MM
FORMAT ACCORDING TO DS 11001

PART CAVITY NUMBER / FORMAT
ACCORDING TO DIN 1451; H=1 MM;
LETTERS 0.2 MM RECESSED

TOOL CAVITY NUMBER / FORMAT
ACCORDING TO DIN 1451; H=1.6 MM

MATERIAL NAME ACCORDING TO VDA 260 /
FORMAT ACCORDING TO DIN 1451; H=1.6 MM



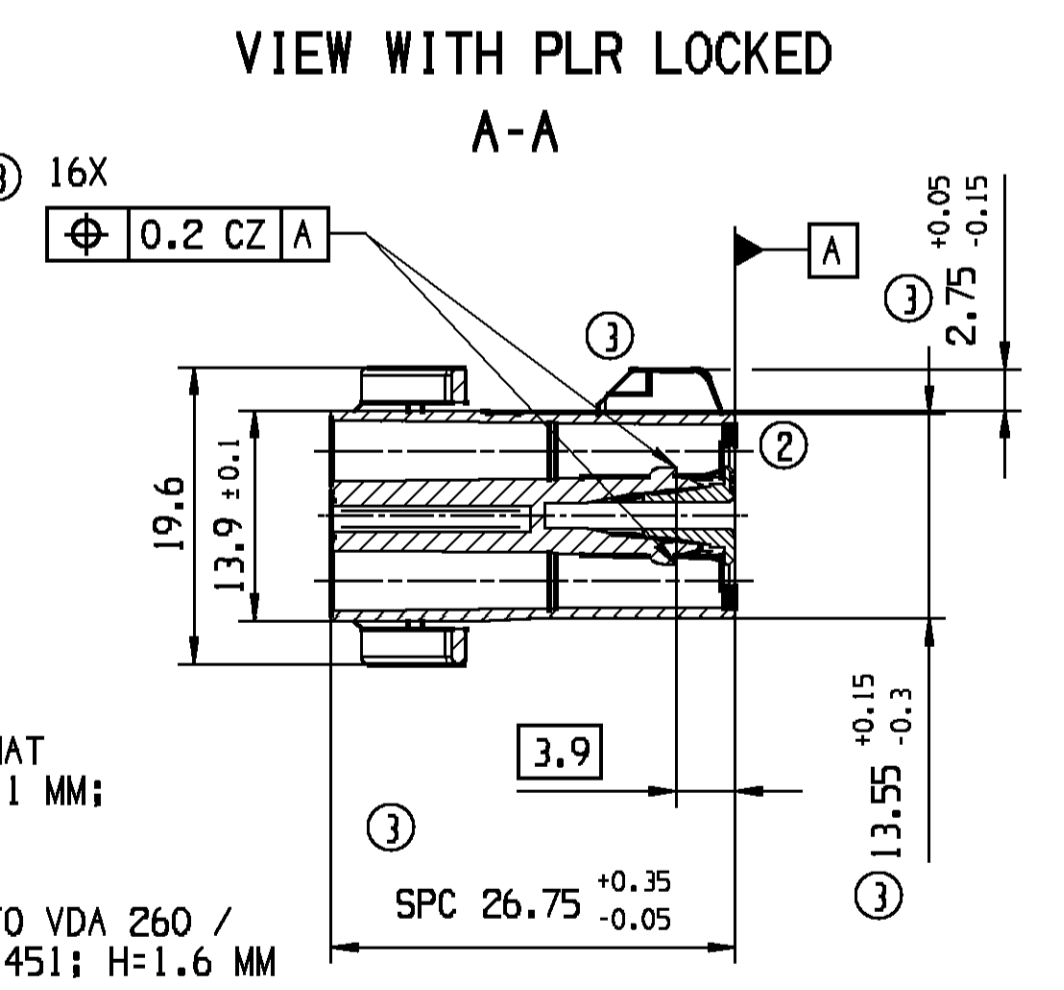
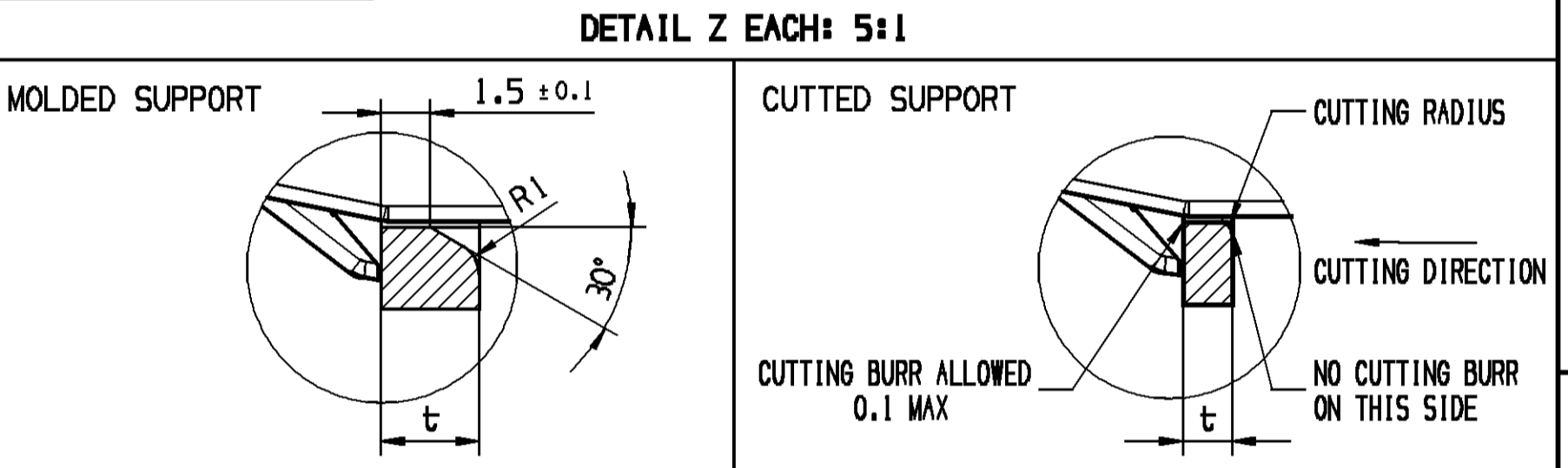
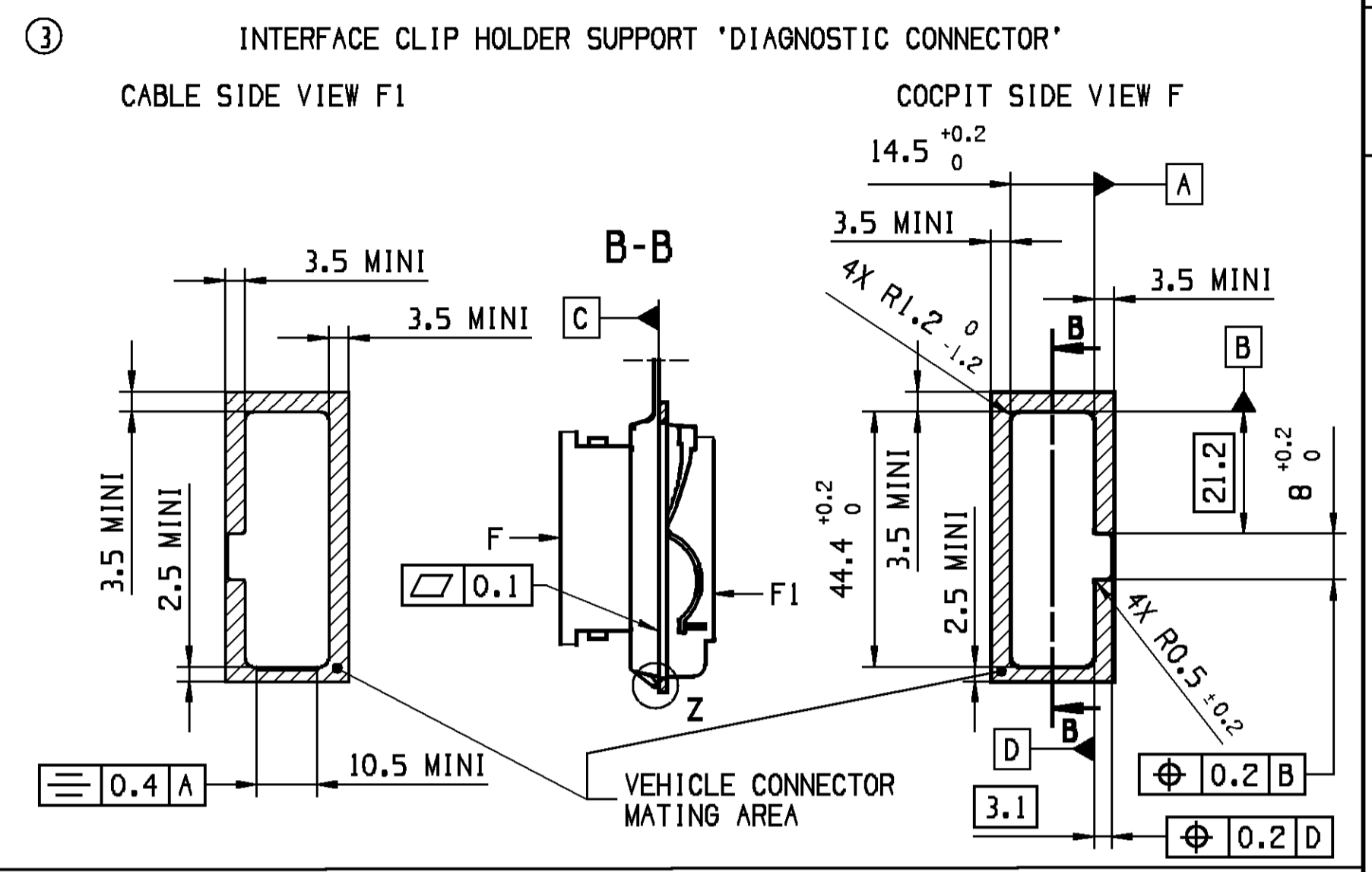
MANUFACTURER MARK A=1.6 MM
FORMAT ACCORDING TO DS 11001

TOOL CAVITY NUMBER / FORMAT
ACCORDING TO DIN 1451; H=1.6 MM

DATE INSERT SIMILAR FIRM OPITZ Ø6;
HAS TO BE THE MANUFACTURING DATE

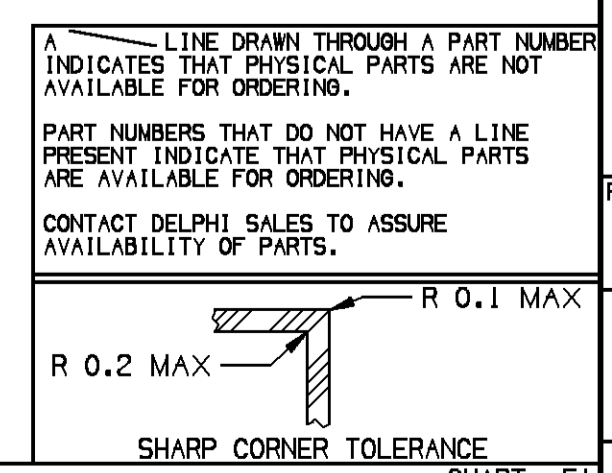
MATERIAL NAME ACCORDING TO VDA 260 /
FORMAT ACCORDING TO DIN 1451; H=1.6 MM

VAR	TITLE	PART-NO.:	PART-REV	DATE	AMOUNT	MATERIAL	SIMILAR TO RAL	NOTES
A	FEMALE CONNECTOR 16 WAY WITH CAP ASS.	13800155	03	14MY13	---	---	---	CONDITION OF DELIVERY, POS. 1-2 ASSEMBLED
1	FEMALE HOUSING 16 WAY WITH CAP	13800094	---	---	1	PA66 GRA	7001	ONLY ASSEMBLED PARTS AVAILABLE
2	PLR	13800104	---	---	1	PBT-GF20 XF YEL	1021	ONLY ASSEMBLED PARTS AVAILABLE
B	FEMALE CONNECTOR 16 WAY ASSEMBLY	13800154	03	13MY13	---	---	---	CONDITION OF DELIVERY, POS. 2-3 ASSEMBLED
3	FEMALE HOUSING 16 WAY	13800089	---	---	1	PA66 BLK	7001	ONLY ASSEMBLED PARTS AVAILABLE
2	PLR	13800104	---	---	1	PBT-GF20 XF YEL	1021	ONLY ASSEMBLED PARTS AVAILABLE



SUPPORT	t
CUTTED (STEEL)	1.5 ± 0.2
MOLDED: PA6.6-GF20 PA6.6-GF30 PBT-GF20 PBT-GF30	3.0 ± 0.2

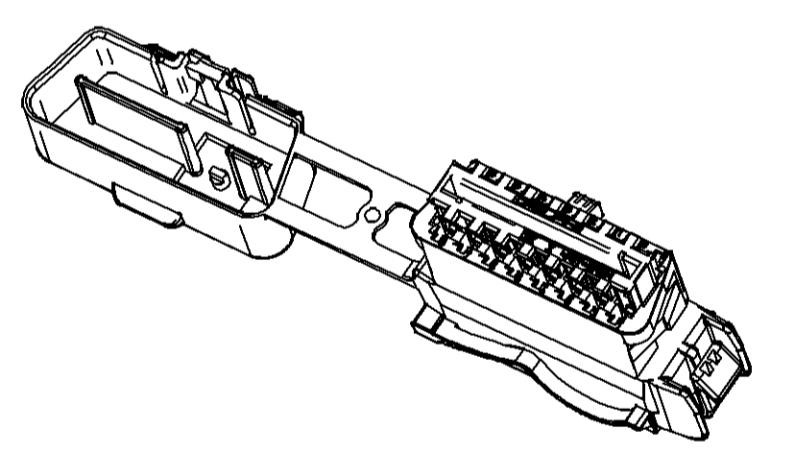
- REMARKS:**
- MAXIMUM DRAFT ANGLE 0°30
 - LETTERS AND ENGRAVINGS 0.05/0.2 MM RAISED/RECESSED
 - SPC: STATISTICAL PROCESS CONTROL
 - FOR APPLICATION DATA SEE THE INDIVIDUAL APPLICATION DRAWINGS.



DIM TO CHECK	DIMENSIONAL RANGE (MM)										
	FROM	> 0	> 20	> 30	> 70	> 100	> 150	> 200	> 250	> 300	> 400
() DIM FOR HELP		±0.15	±0.2	±0.3	±0.4	±0.5	±0.6	±0.8	±1	±1.2	
THEORETIC DIM											

DWG STATUS				ZONE	REVISION HISTORY			AUTH	DR	APVD 1	APVD 2	
DATE	ISTG	REV/N	PIC/CH		NO	DESCRIPTION						
10DE09	R	01				INITIAL RELEASE				P.LES	M.MLECZKO	W.SKR
28MY12	R	02		F8		DIN 3740.15 WAS 37.240.1						
				D5		DIN 13.55 ADDED						
				D5		HOUSING GEOMETRY CHANGED						
				D8		PLR GEOMETRY CHANGED				P.LES	M.MLECZKO	W.SKR
14MY13	R	03		D5		LOCKING FEATURE ON HOUSING MODIFIED				P.LES	M.MLECZKO	W.SKR
26JN13	R	03	AA	G6		"INTERFACE CLIP HOLDER SUPPORT..." ADDED				P.LES	M.MLECZKO	W.SKR
				AB	C6	DIN SPC 26.75±0.35/-0.05 WAS SPC 26.75						
					C5	DIN 13.55±0.15/-0.3 WAS 13.55						
					D5	DIN 2.75±0.05/-0.15 WAS 2.75±0.05						
					D7	BODY Ø 0.2 CZ A WAS Ø 0.2 CZ A B C						

SCALE: 1:1



DWG TYP	PART DRAWING	DISTR CODE	
WEIGHT (GR)	10.2 / 7.5		
VOLUME (CM³)	---		
ROUTING			

UNLESS OTHERWISE SPECIFIED
GENERAL TOLERANCES ACCORDING TO:
SEE CHART
GD&T ACCORDING TO:
ISO 1101

REFERENCE
FIRST ANGLE PROJECTION
DO NOT SCALE
USE MATH DATA

DELPHI
DELPHI PACKARD ELECTRICAL/ELECTRONIC ARCHITECTURE
KRAKOW, POLAND

COPYRIGHT 2009 DELPHI CORPORATION AND/OR ITS AFFILIATES. ALL RIGHTS RESERVED.
REVISED 2013

THIS DRAWING IS THE PROPERTY OF DELPHI CORPORATION AND CONTAINS DELPHI CONFIDENTIAL INFORMATION. THE REPRODUCTION, DISTRIBUTION AND UTILIZATION OF THIS DOCUMENT OR ITS RELATED CAD DATA, AS WELL AS COMMUNICATION OF ANY CONTENT TO OTHERS, WITHOUT EXPRESS AUTHORIZATION, IS PROHIBITED.

TEN RYSUNEK JEST WŁASNOSCIA DELPHI CORPORATION I ZAWIERA POUFNE INFORMACJE. POWIELANIE, ROZPOWISZCZANIE I WYKORZYSTYWANIE TEGO DOKUMENTU LUB ZWIĄZANYCH Z NIM DANYCH CAD, JAK RÓWNIEŻ PRZEKAZYWANIE INNYM JAKIEKOLWIEK ICH ZAWARTOSCI, BEZ NADANIA WYRAZNYCH UPRAWNIEN, JEST ZABRONIONE.

DR	P.LESNIAK	DATE	09DE09
APVD1	M.MLECZKO		10DE09
APVD2	M.SIKORA		03MR11
APVD3			
APVD4			
APVD5			

SUBSTANCES OF CONCERN AND RECYCLED CONTENT PER DELPHI 10949001
SUBSTANCJE NIEBEZPIECZNE I POWTORNIE PRZETWORZONE OKRESLA
DELPHI 10949001

MATERIAL
SEE CHART

DRAWING NAME
OBD-2 FEMALE CONNECTOR 16WAY
SICMA 1.5

DRAWING NUMBER
13800105

SIZE	A1	SCALE	2:1	FRAME NO	1 OF 1	SHEET NO	1 OF 1	STG	R	REV	03	N/P	AB
------	----	-------	-----	----------	--------	----------	--------	-----	---	-----	----	-----	----

X-ON Electronics

Largest Supplier of Electrical and Electronic Components

Click to view similar products for [Automotive Connectors](#) category:

Click to view products by [APTIV](#) manufacturer:

Other Similar products are found below :

[003-018-000](#) [60993906-B](#) [M902-2131](#) [M902-2161](#) [M902-2344](#) [72.330.1035.1](#) [73.353.4028.0](#) [F166900](#) [F358300-B](#) [F407400](#) [776880-1](#)
[827153-1](#) [8N1515-32-24P](#) [9-1326729-8](#) [925474-1](#) [928905-1](#) [964562-4](#) [968782-1](#) [98891-1012](#) [12004475-L](#) [12020308](#) [12041318-B](#)
[12052466](#) [12064869](#) [12015909](#) [1-21030-1](#) [12041254](#) [12041318](#) [12047946-B](#) [12110546-B](#) [12131792](#) [12084688](#) [12092346](#) [HD34-18-14PT](#)
[HD46-24-23SN-059](#) [HDB36-24-16PN-059](#) [HDP26-24-9SE-L015](#) [12185280](#) [12185550](#) [12336-12](#) [12191172-B](#) [12S](#) [13545280](#) [13577943](#)
[13681974](#) [13737722-B](#) [13830674](#) [13832576](#) [13849772](#) [13542772](#)