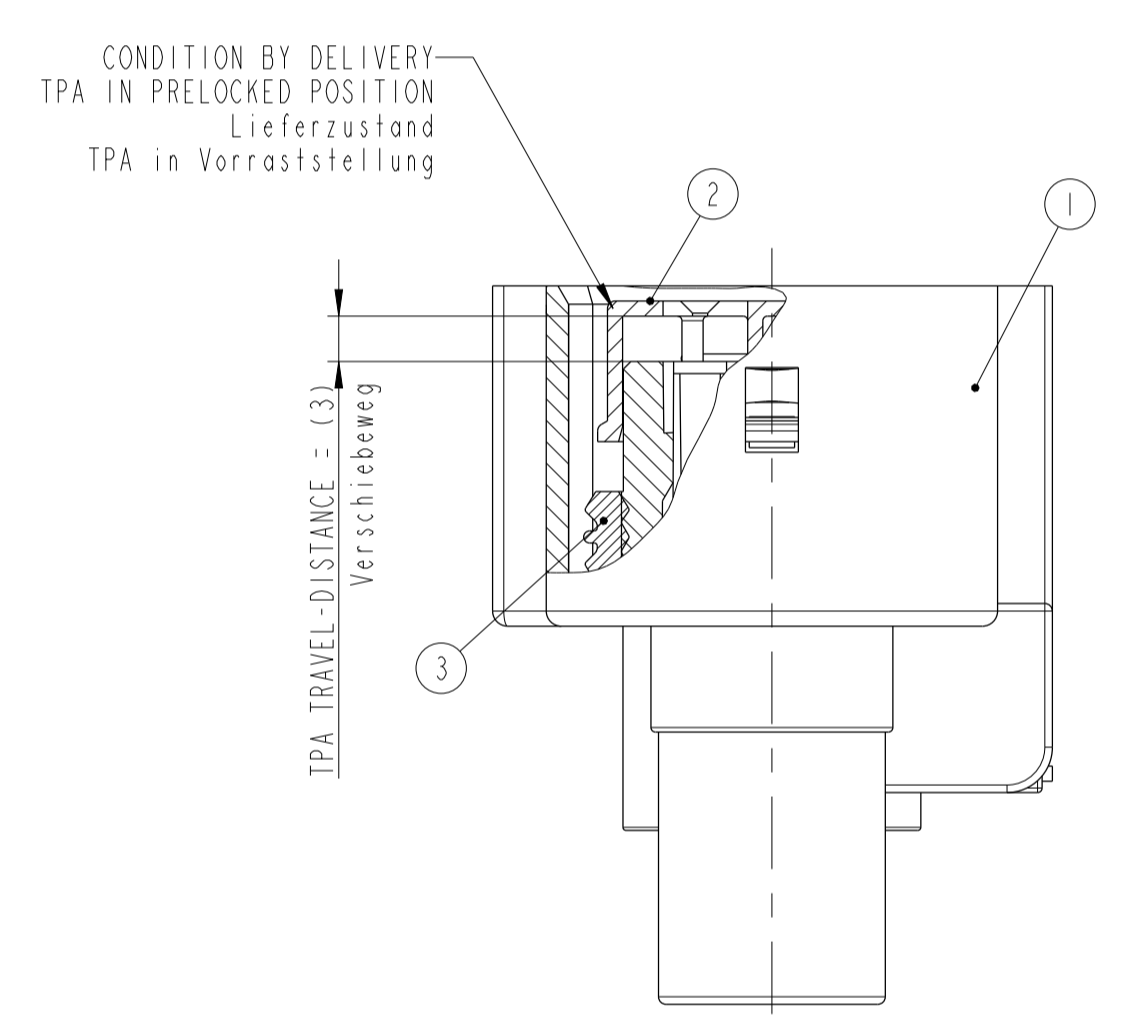
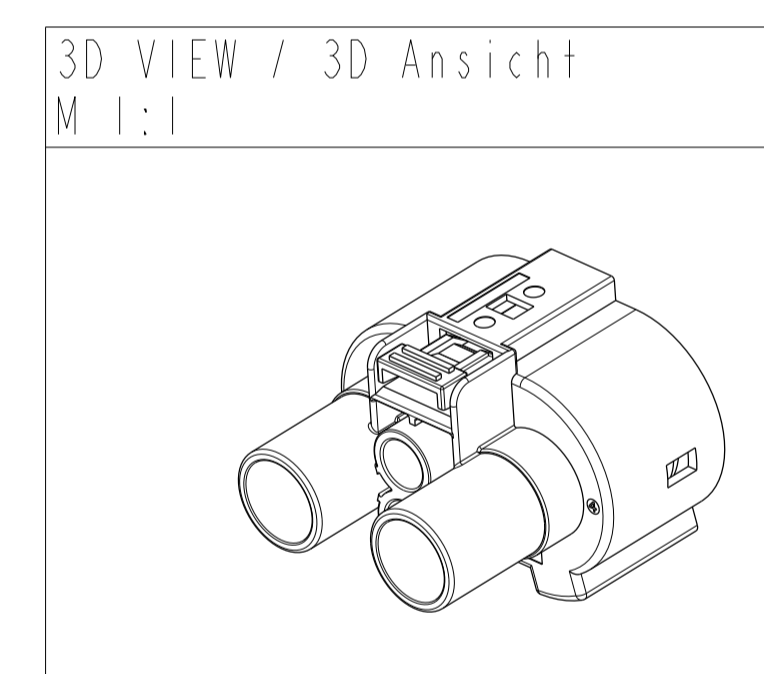


NOTES / Bemerkungen:	
1	MATERIAL IDENTIFICATION CODE ACC. VDA260 Materialkennzeichnung nach VDA260
2	DATA CLOCK Datumsuhr
3	CAVITY MARK Nestmarkierung
4	MVL COMPANY LOGO MVL Firmenlogo
5	CAVITY-NO. Kammernummerierung
6	REVISION INDEX SEE TABLE Aenderungsindeks siehe Tabelle
7	MVL ASSEMBLY PART-NO. MVL Bauteil-Nr.
8	ONLY THE GERMAN LANGUAGE SHALL BE BINDING Nur der deutsche Text ist bindend



PART-NO. Teile-Nr.	REV INDEX	PART-NO. Teile-Nr.	REV INDEX	ITEM POSITION	QUANTITY	NAME Benennung	MATERIAL	COLOUR Farbe	MVL	DELPHI
F004200	C	13873952	01	3	1	SEAL Dichtung	SILICON	ORANGE orange		
				2	1	TPA Kontaktsicherung	PBT GF15HR	VIOLET violett	F353200 93320100C	33500406
				1	1	HOUSING 4-WAY Gehäuse 4-pol	PBT GF15HR	BLACK schwarz		
PART-NO. Teile-Nr.		REV INDEX		ITEM POSITION		MATERIAL		MVL		DELPHI
MVL		DELPHI						COUNTER PART Gegenstueck		



DESCRIPTION Benennung	MVL PART-NO. MVL Teilennr.	DELPHI PART-NO. DELPHI Teilennr.	WIRE CORSS SECTION (mm ²) Leitungsquerschnitt(mm ²)	MATERIAL / SURFACE Werkstoff / Oberflaeche	MVL PART-NO. MVL Teilennr.	DELPHI PART-NO. DELPHI Teilennr.	FOR INSULATION Ø (mm) Fuer Isolations Ø (mm)	COLOR Farbe	CRIMP SPEC Crimpspezifikation
2x FEMALE TERMINAL "BOX" 9.5mm	Ag VERSION	6 007 04 72	13667458	>6.00 - 10.00	CONTACT BODY:Grundfeder: Cu Cr Ti Si / Ag (K75)	6 099 33 04	10889241	5.40 - 6.50	YELLOW gelb
		6 007 04 62	13960627	>4.00 - 6.00	LOCKING SPRING: Ueberfeder: X10 Cr Ni 18 8 / BLANK	6 099 33 01	15327788	4.00 - 5.00	BLACK schwarz
		6 007 04 52	33510888	>2.50 - 4.00		6 099 33 08	13546490	3.40 - 4.40	GREEN gruenn
	Sn VERSION	6 007 04 71	10780234	>6.00 - 10.00	CONTACT BODY:Grundfeder: Cu Cr Ti Si / Sn (K75)	6 099 33 04	10889241	5.40 - 6.50	YELLOW gelb
		6 007 04 61	10780235	>4.00 - 6.00	LOCKING SPRING: Ueberfeder: X10 Cr Ni 18 8 / BLANK	6 099 33 01	15327788	4.00 - 5.00	BLACK schwarz
		6 007 04 51	10780236	>2.50 - 4.00		6 099 33 08	13546490	3.40 - 4.40	GREEN gruenn
2x FEMALE TERMINAL "BOX" 4.8mm	Ag VERSION	6 004 04 52	15491921	>2.50 - 4.00	CONTACT BODY:Grundfeder: Cu Cr Si Ti / Ag	6 099 26 06	12186636	3.40 - 3.70	WHITE weiss
		6 004 04 42	13959082	>1.00 - 2.50	Rm 480 N/mm ²	6 099 26 04	15443869	2.10 - 3.00	YELLOW gelb
		6 004 04 32	13688646	>0.50 - 1.00	LOCKING SPRING: Ueberfeder: X12 Cr Ni 17 7k / BLANK	6 099 26 07	10788269	1.40 - 2.10	GREEN gruenn
	Sn VERSION	6 004 04 51	10811290	>2.50 - 4.00	CONTACT BODY:Grundfeder: Cu Cr Si Ti / Sn	6 099 26 06	12186636	3.40 - 3.70	WHITE weiss
		6 004 04 41	10811291	>1.00 - 2.50	Rm 480 N/mm ²	6 099 26 04	15443869	2.10 - 3.00	YELLOW gelb
		6 004 04 31	10811289	>0.50 - 1.00	LOCKING SPRING: Ueberfeder: X12 Cr Ni 17 7k / BLANK	6 099 26 07	10788269	1.40 - 2.10	GREEN gruenn

CUSTOMER NEUTRAL VERSION
Kundenneutrale Variante

13-00543 AF 11-16 REDRAWN IN DELPHI TITLE BLOCK, SEE REV. "C" FOR PREVIOUS CHANGES
BOM TABLE MODIFIED AND DELPHI P/N

ECN-NO. POSITION CHANGE DESCRIPTION
EKN-NR. POSITION AENDERUNGSBESCHREIBUNG

PROJECT SPEC. PACKAGING SPEC. APPLICATION SPEC. COPYRIGHT DELPHI CORPORATION AND/OR ITS AFFILIATES. ALL RIGHTS RESERVED. REVISED THIS DRAWING IS THE PROPERTY OF DELPHI CORPORATION AND CONTAINS DELPHI CONFIDENTIAL INFORMATION. THE REPRODUCTION, DISTRIBUTION AND CIRCULATION OF THIS DOCUMENT OR ITS CONTENT OR ANY PART THEREOF, WITHOUT EXPRESS AUTHORIZATION, IS PROHIBITED. REVISIONS: PROJEKT SPEZIFIKATION, VERPACKUNG SPEZIFIKATION, ANWENDUNGSSPEZIFIKATION

TOLERANCES: ±0.2 ±2% MATERIAL: SEE TABLE SURFACE: SEE TABLE APPROX. WEIGHT: 27.5g

CONTRACT No. SEE TABLE COLOR: SEE TABLE TOOL: ECN: 13-00543 9 902 15 20

DO NOT REASURE DRAWING TECHNICAL SERVICE DATE NAME TITLE SERVICE FINISH 4W SEALED FEMALE CONNECTOR

DATE NAME TITLE SERVICE FINISH 4W COOLING FAN CONNECTOR

CREATED BY: 20150915 ASH SWANBY PROJECT: 4W SEALED FEMALE CONNECTOR

APPROVED BY: 20150915 M SCHINDHELM ESR NUMBER: EU-030039 KATALOG-NR.: 13-00543

FILE NAME: PCC0573522

DRAWING NUMBER: PCC0573522

STATUS: SERIAL RELEASED

SCALE: 2:1

EUR COX 112 FEB 05X

X-ON Electronics

Largest Supplier of Electrical and Electronic Components

Click to view similar products for [Automotive Connectors](#) category:

Click to view products by [APTIV](#) manufacturer:

Other Similar products are found below :

[003-018-000](#) [60993906-B](#) [M902-2131](#) [M902-2161](#) [M902-2344](#) [72.330.1035.1](#) [73.353.4028.0](#) [F166900](#) [F358300-B](#) [F407400](#) [776880-1](#)
[827153-1](#) [8N1515-32-24P](#) [9-1326729-8](#) [925474-1](#) [928905-1](#) [964562-4](#) [968782-1](#) [98891-1012](#) [12004475-L](#) [12020308](#) [12041318-B](#)
[12052466](#) [12064869](#) [12015909](#) [1-21030-1](#) [12041254](#) [12041318](#) [12047946-B](#) [12110546-B](#) [12131792](#) [12084688](#) [12092346](#) [HD34-18-14PT](#)
[HD46-24-23SN-059](#) [HDB36-24-16PN-059](#) [HDP26-24-9SE-L015](#) [12185280](#) [12185550](#) [12336-12](#) [12191172-B](#) [12S](#) [13545280](#) [13577943](#)
[13681974](#) [13737722-B](#) [13830674](#) [13832576](#) [13849772](#) [13542772](#)