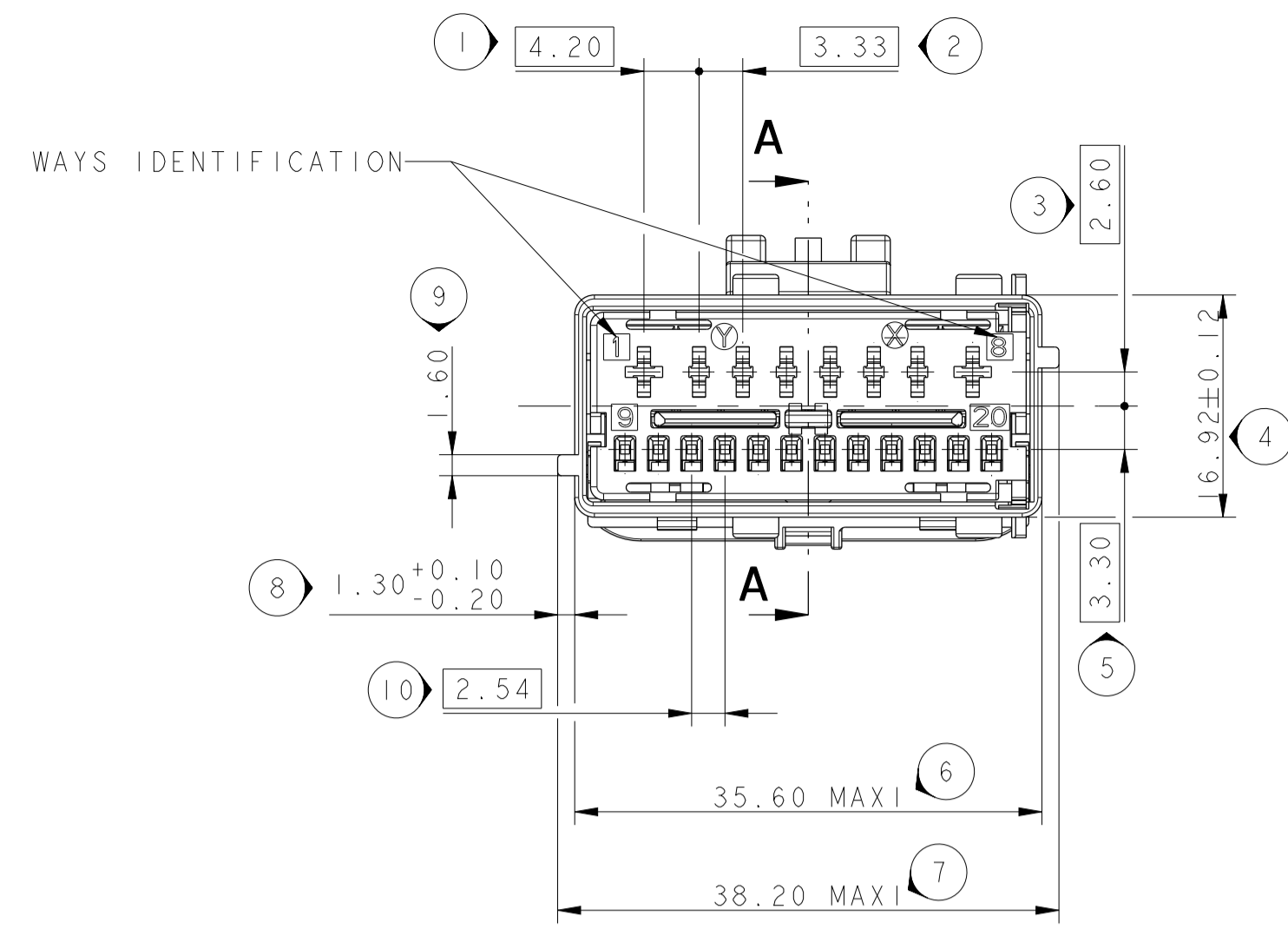
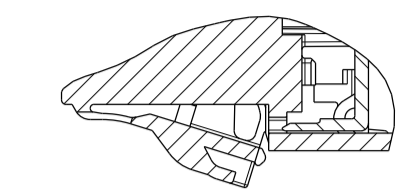


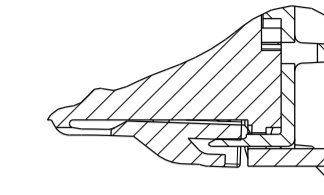
NOTE	SPECIFICATIONS
1	USER'S MANUAL MVL'S REFERENCE: PU057 - ASSOCIATED PRODUCTS (CONTACT, PLUG, ...) ARE DEFINED IN THE USER'S MANUAL
2	WIRE DIAMETER SEE PU057
3	DELIVERED CONNECTOR WEIGHT : 10 g
4	FEMALE/MALE CONNECTOR MATING FORCE F = 60N MAXI
5	COMPATIBLE WITH CONNECTOR DRAWING PCC0828890
6	FIXATION ON BACK FASTENING ACCORDING TO STE 96 153 261 99



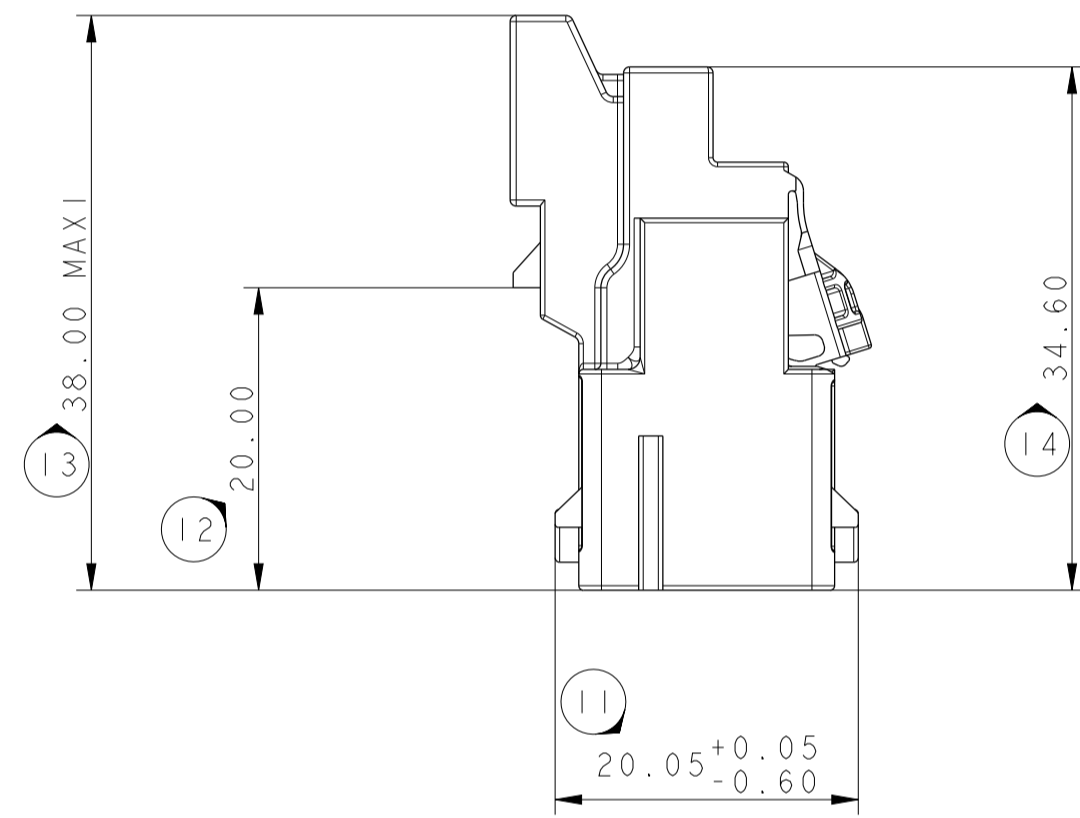
SECTION A-A



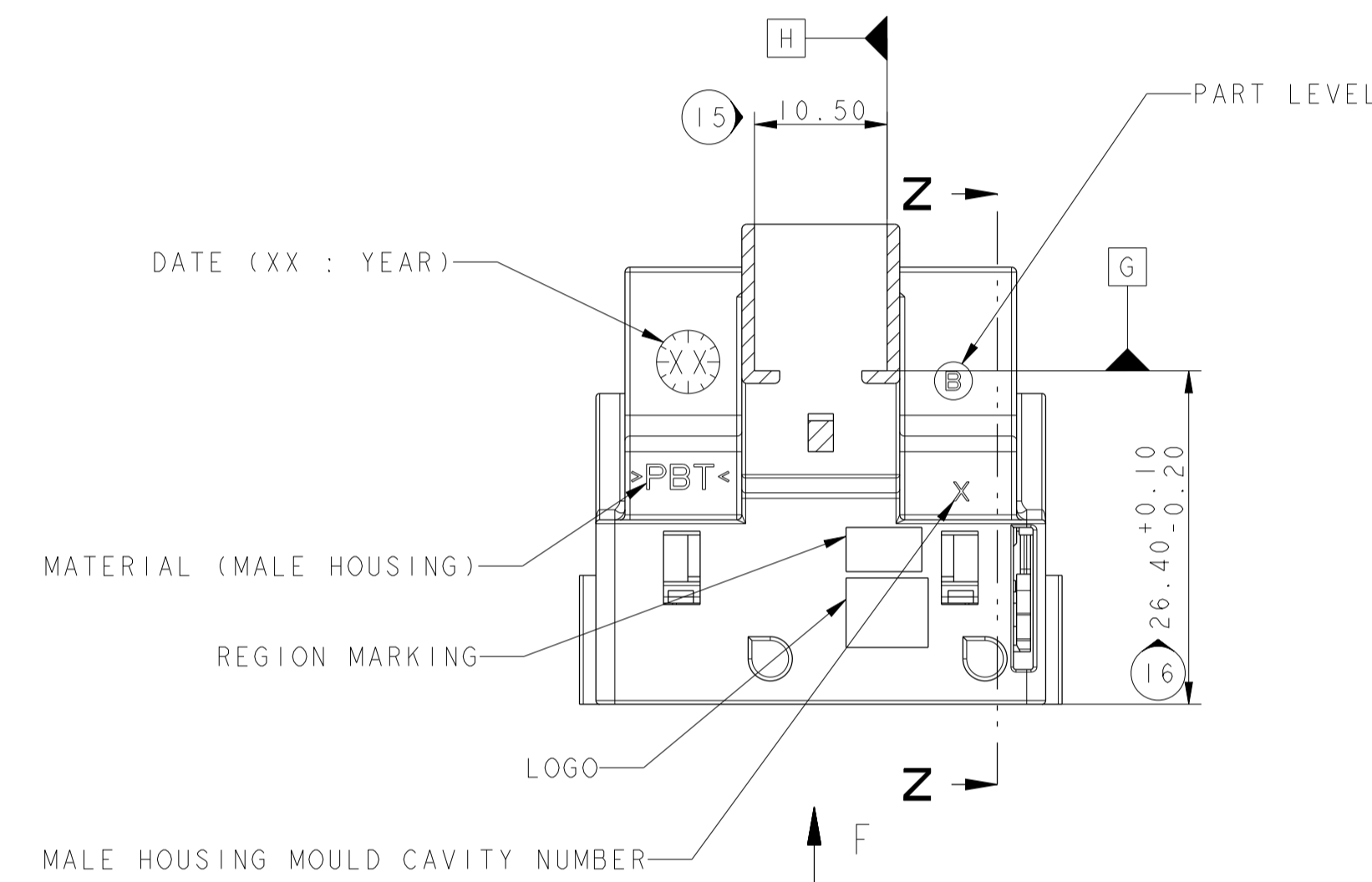
LOCK OF THE TPA  
DELIVERY POSITION



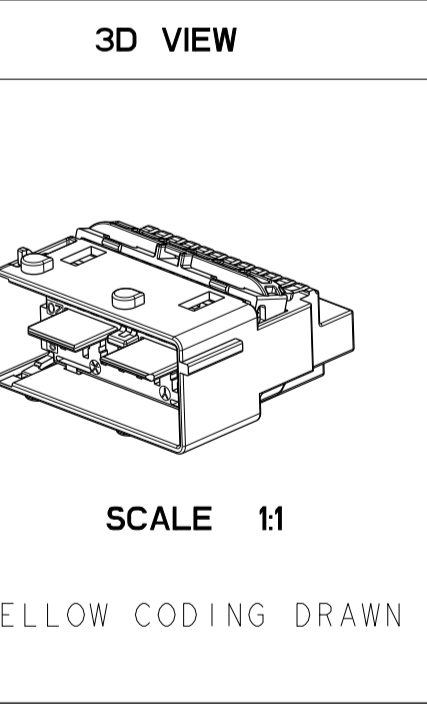
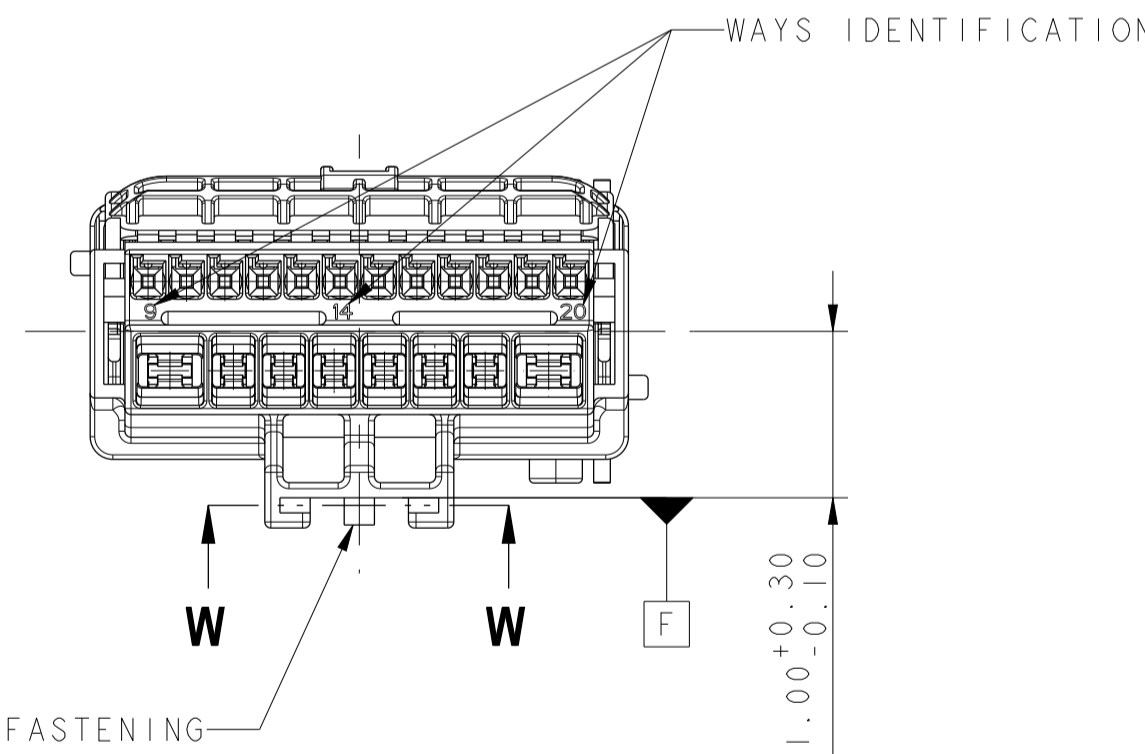
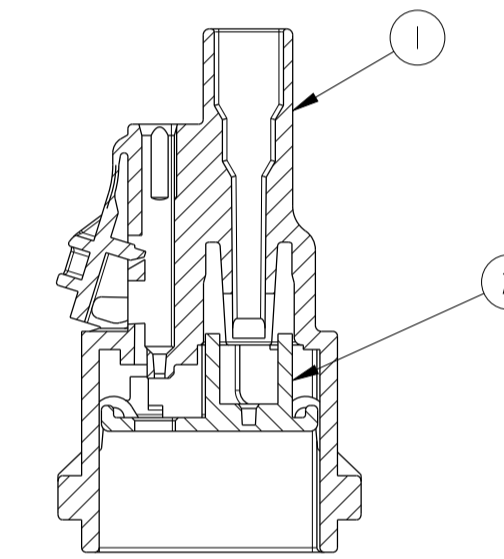
LOCK OF THE TPA  
LOCKED POSITION



SECTION W-W

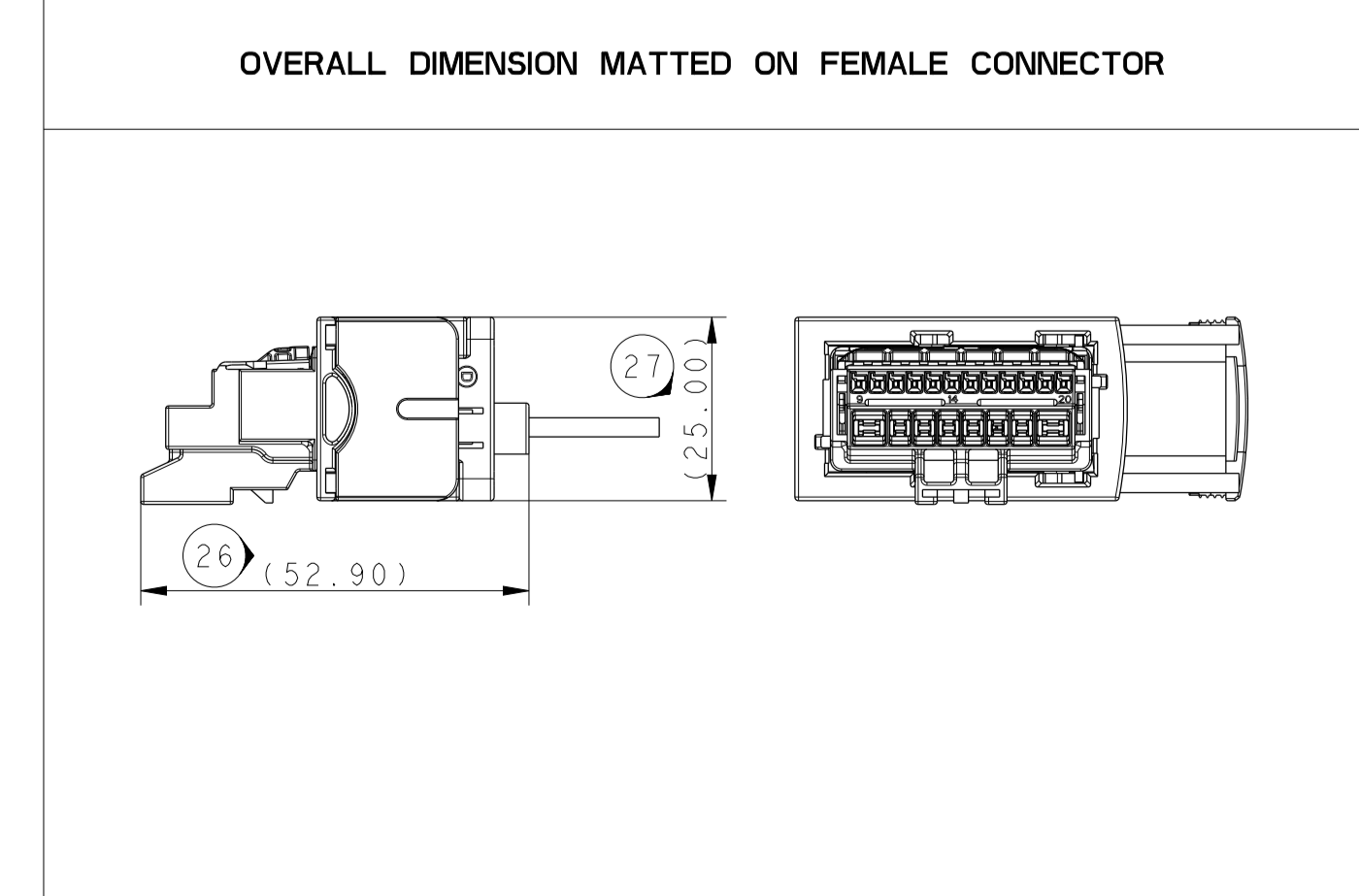


SECTION Z-Z



MALE HOUSING	21112083	PBT	RED
	21113083		ORANGE
	21114083		YELLOW
	2111R083		PINK
TPA	C381210	PBT GF15	BLUE
DESCRIPTION	MVL'S SERIAL REF.	MATERIAL	COLOUR

VIEW F	VIEW F	VIEW F	VIEW F	VIEW F	VIEW F
19	20	22	24	25	
					VIEW F TOLERANCES ±0.10 SCALE 1:1
RED coding	ORANGE coding	YELLOW coding	PINK coding	PINK coding	COLOUR CODING
F502210	F602210	F481210	F702210	F702210	PART NUMBER
B	B	B	B	B	PART REVISION
33501028	33501029	13925698	33501030	33501030	PART NUMBER
02	01	01	01	01	PART REVISION
					MVL
					DELPHI



15-11322	POSITION	CHANGE DESCRIPTION	MODIFICATION
FE PS 12 016	PU057	INITIAL ISSUE	
<small>ECN-NO. / POSITION / CHANGE DESCRIPTION / MODIFICATION</small> <small>PROJECT SPEC. / PACKAGING SPEC. / APPLICATION SPEC. / COPYRIGHT DELPHI CORPORATION AND/OR ITS AFFILIATES. ALL RIGHTS RESERVED. REVISED</small> <small>DO NOT REPRODUCE OR TRANSMIT IN ANY FORM OR BY ANY MEANS, ELECTRONIC OR MECHANICAL, INCLUDING PHOTOCOPYING, RECORDING, OR BY ANY INFORMATION STORAGE AND RETRIEVAL SYSTEM, WITHOUT EXPRESS WRITTEN PERMISSION FROM DELPHI CORPORATION. LA REPRODUCTION, LA DISTRIBUTION ET L'UTILISATION DE CE DOCUMENT EN TOUTES FORMES, ÉLECTRONIQUES OU MÉCANIQUES, Y COMPRIS LA PHOTOCOPIAGE, L'ENREGISTREMENT, OU L'UTILISATION D'UN SYSTÈME DE STOCKAGE ET DE RÉTRIBUTION D'INFORMATION, SONT INTERDITES SANS LAutorisation ÉCRITE DE DELPHI CORPORATION.</small>			
<small>TOLERANCES: ±0.1 / ±2*</small> <small>COLOUR: SEE TABLE</small> <small>ECO EX: C64 FE</small>		<small>MATERIAL: SEE TABLE</small> <small>STATE OF SURFACE</small>	
<small>DELPHI</small> <small>DELPHI PACKARD ELECTRICAL/ELECTRONIC ARCHITECTURE</small> <small>EPFREM, FRANCE</small>		<small>CAU SYSTEM</small> <small>pro / eng.</small> <small>ENG SIZE</small> <small>FORME</small> <small>A 1</small>	
<small>DRAWING NUMBER</small> <small>REF. PLAN</small> <b>PCC0841670</b>		<small>APPROVAL LEVEL</small> <small>REV. / IND.</small> <b>A</b>	
<small>MALE CONNECTOR</small> <small>20W HYBRID CONNECTOR</small>		<small>SHEET</small> <small>FICHE</small> <small>REV. / IND.</small> <b>1 / 1</b>	
<small>FILE NAME</small> <b>PCC0841670</b>		<small>SCALE</small> <small>ÉCH.</small> <b>2:1</b>	

## X-ON Electronics

Largest Supplier of Electrical and Electronic Components

*Click to view similar products for [Automotive Connectors](#) category:*

*Click to view products by [APTIV](#) manufacturer:*

Other Similar products are found below :

[003-018-000](#) [60403001](#) [60993906-B](#) [629515004020001](#) [M902-2131](#) [M902-2161](#) [72.330.1035.1](#) [73.353.4028.0](#) [F119300-B](#) [F166900](#)  
[F258300-B](#) [F358300-B](#) [F407400](#) [F444110](#) [F487000](#) [F509500B-B](#) [827153-1](#) [8N1515-32-24P](#) [9-1326729-8](#) [925474-1](#) [928905-1](#) [964562-4](#)  
[968782-1](#) [GT17SA-8DS-HU](#) [98891-1012](#) [98947-1016](#) [12004475-L](#) [12010290](#) [12010309-B](#) [12015454](#) [12020219-B](#) [12020308](#) [12041318-B](#)  
[12052225-L](#) [12052466](#) [12059125](#) [12064869](#) [12004327-B](#) [12010503-B](#) [12015308](#) [12015384](#) [12015909](#) [1-21030-1](#) [12041254](#) [12041318](#)  
[12047946-B](#) [12047957](#) [12047957-L](#) [12059473](#) [12066261](#)