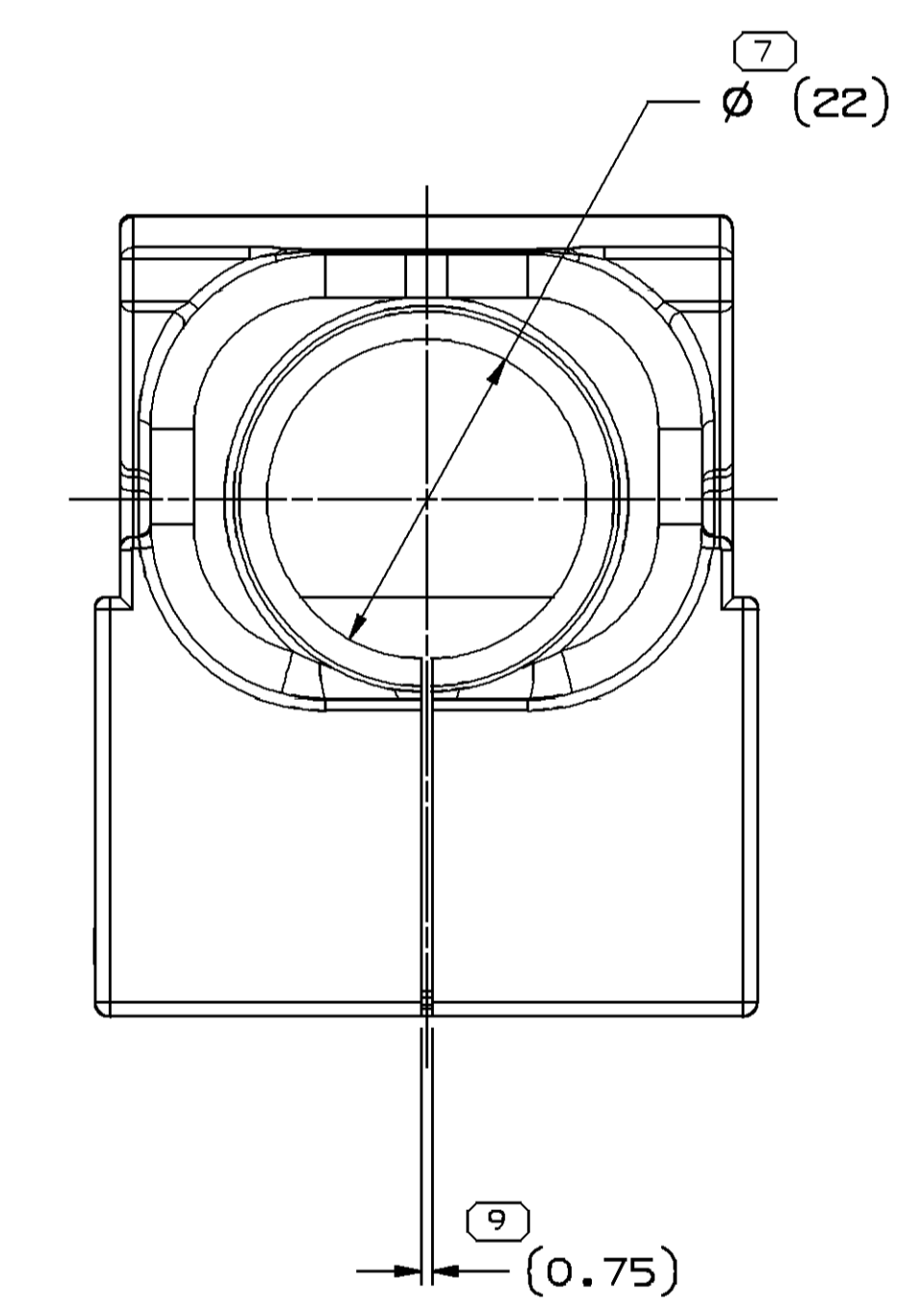
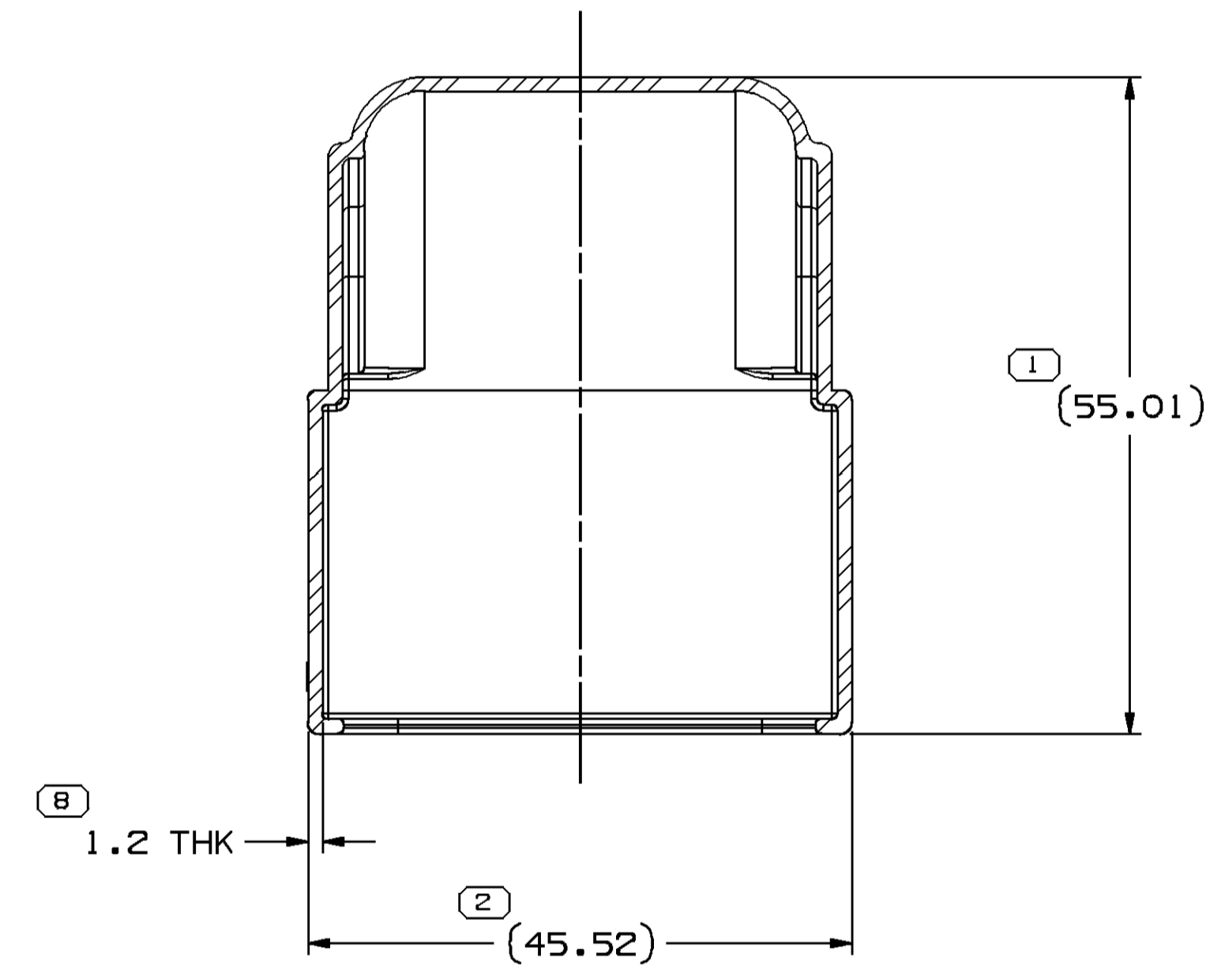
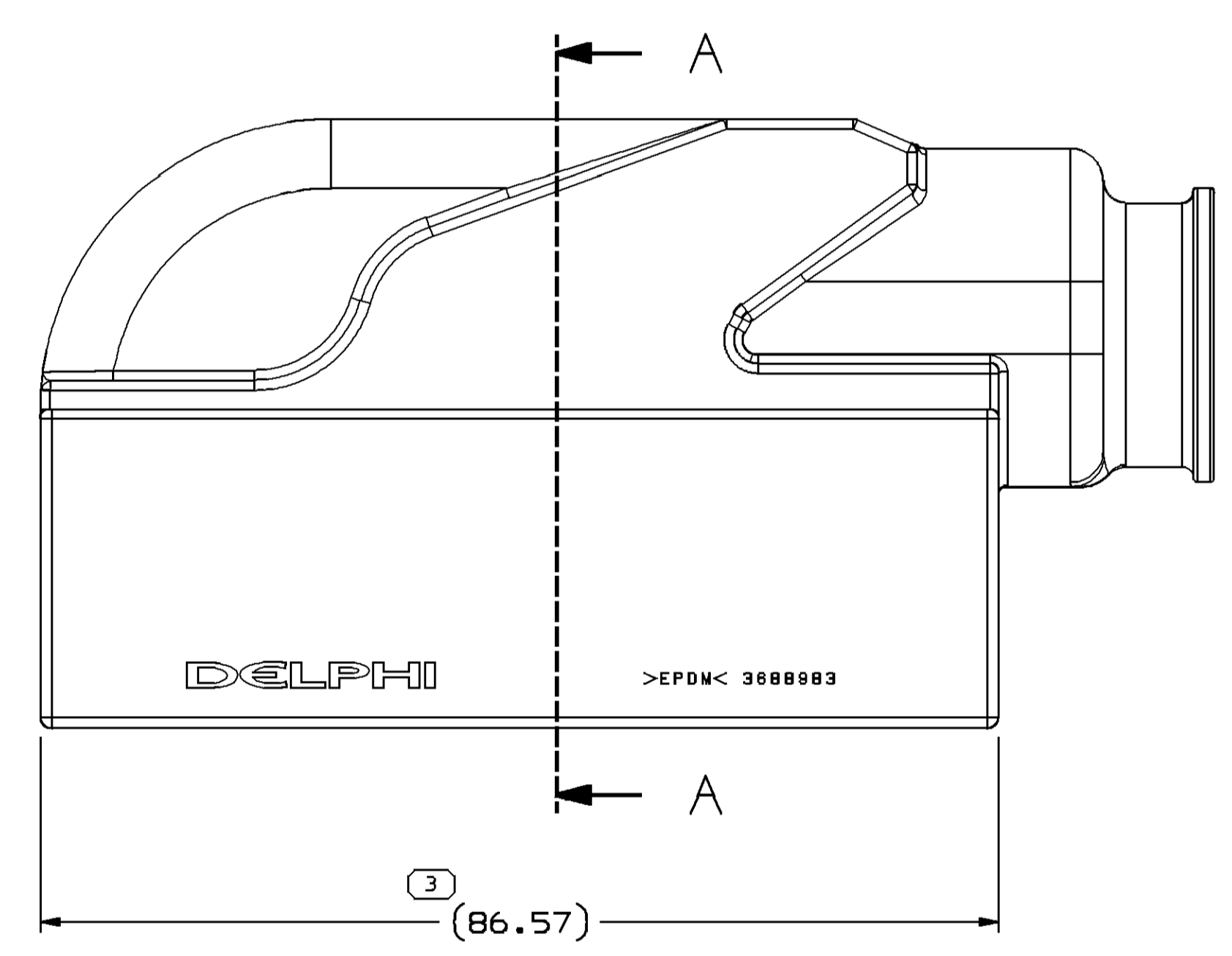
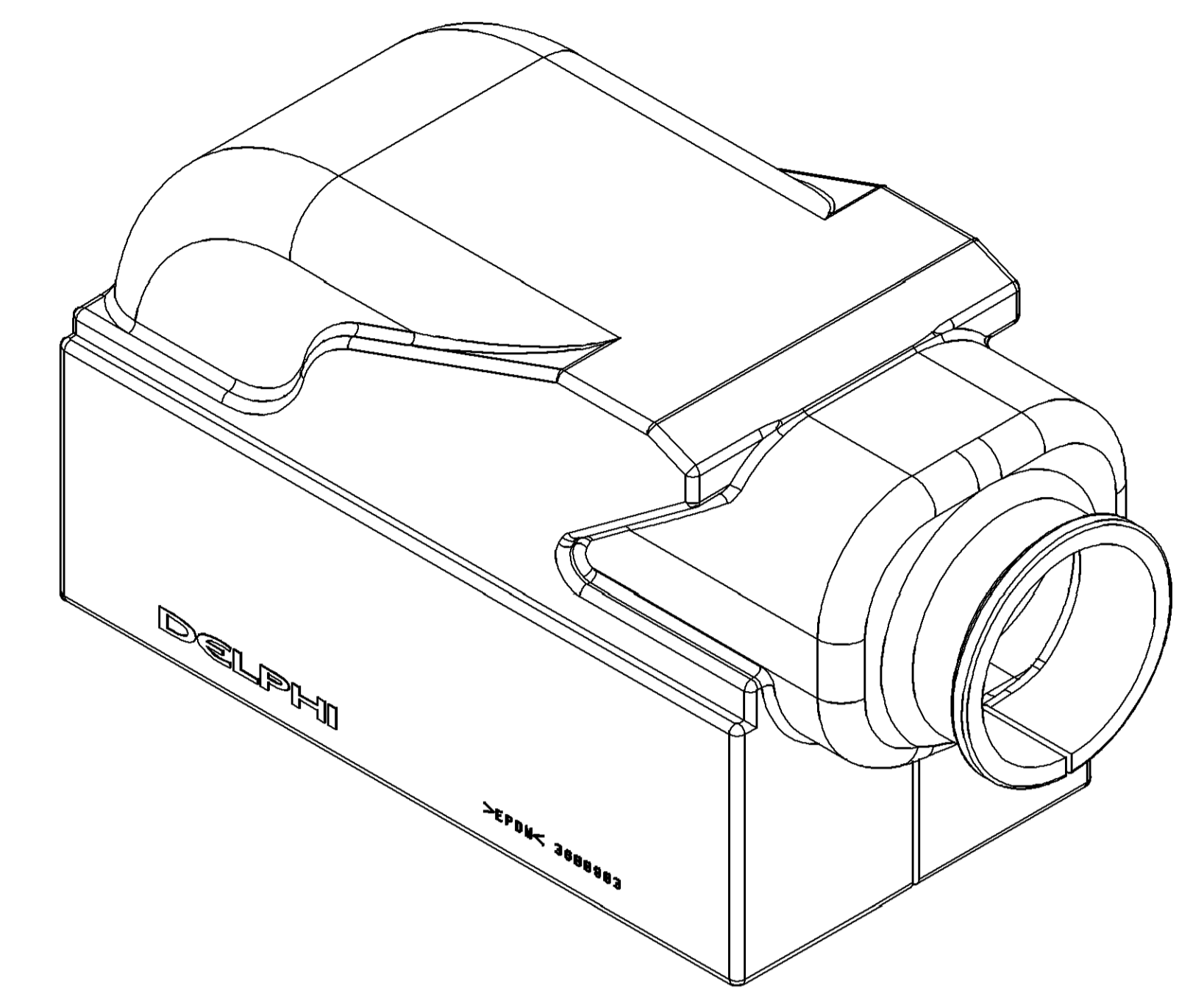
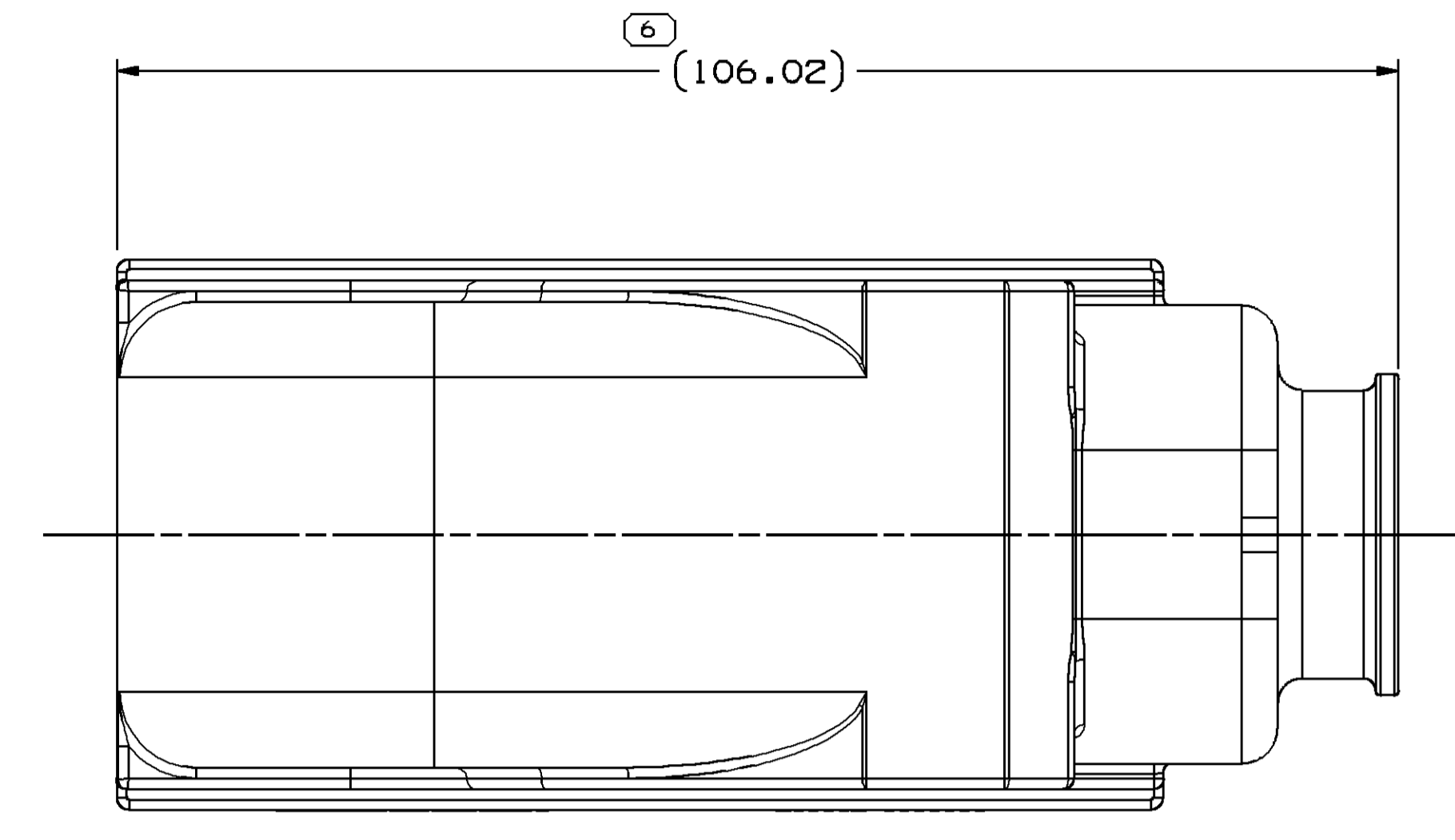
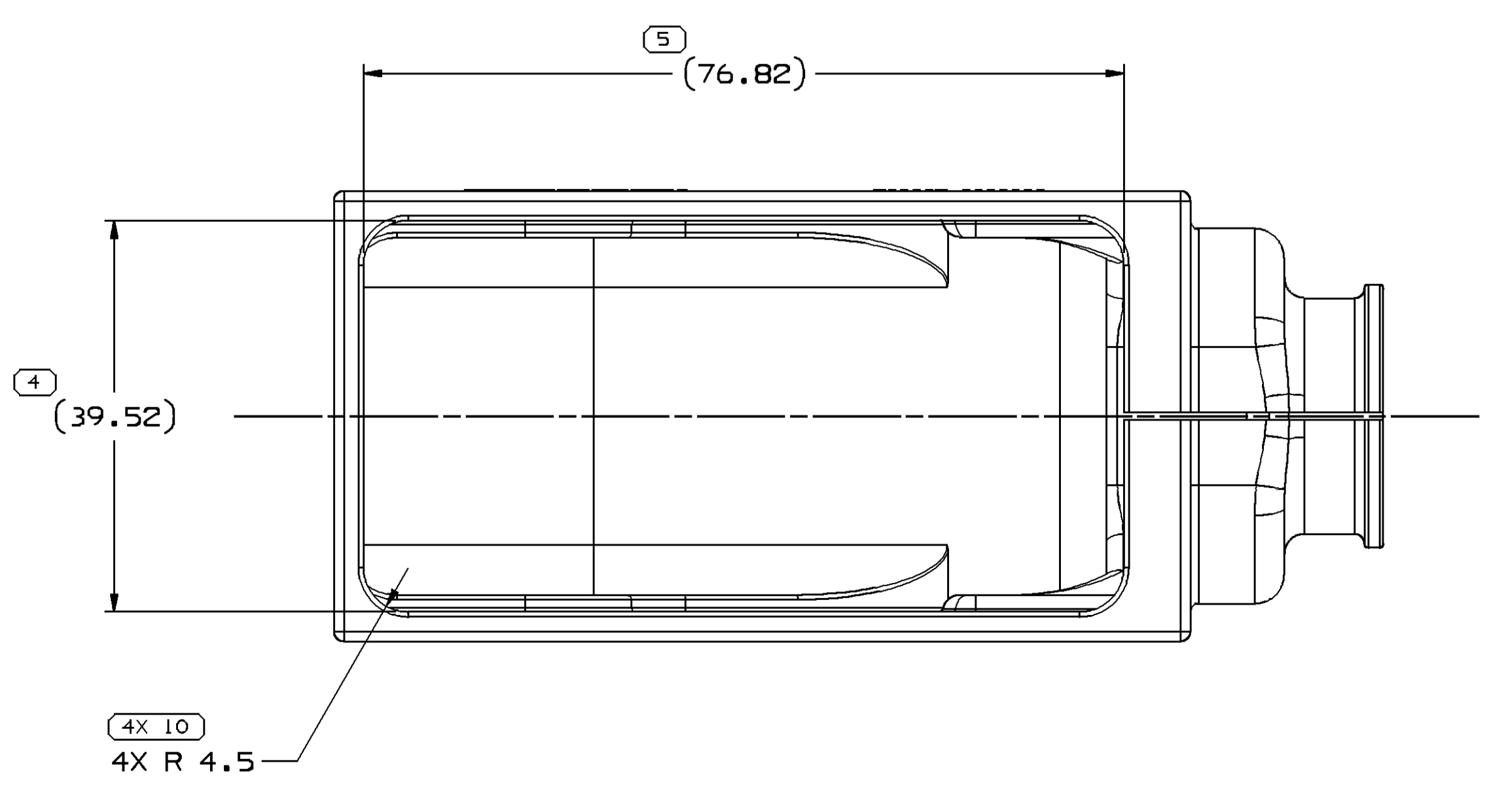


SYMBOL DEFINITION		TOTAL NO OF INSPECTIONS REQUIRED		MISSING SYMBOL NUMBER	
A	DIMENSION WITHOUT AN INSPECTION REPORT SYMBOL DOES NOT REQUIRE INSPECTION. IT MAY BE CONTROLLED ON THE INDIVIDUAL COMPONENT DRAWING.		13		
		LAST NO. USED	10		

DWS STATUS					REVISION HISTORY					AUTH		DR		AP/VD		
DATE	STG	REV	IVP	CHG	ZONE											
20.JN12	R	01	-	-		WAS PE235739 AND RELEASED PART DRAWING					418582	AHT	JAA	APR	1	2
26.JN12	R	01	AA	-		CREATED TOOL QUALIFICATION DRAWING					418662	AGM	AGM	APR	M	
06.AU12	R	01	AB	-		REVISED GRAPHICS					419112	JCF	MAB	APR		
31.AU12	R	01	AC	-		UPDATED PDM ATTRIBUTES					419502	APR	APR	APR		
06.SE12	R	01	AD	-		UPDATED DIM (55.01) WAS 55.01, DIM 145.521 WAS 45.52, DIM (86.57) WAS 86.57, DIM (39.52) WAS 39.52, DIM (76.28) WAS 76.28, DIM (106.02) WAS 106.02, DIM (22) WAS 22, DIM (0.75) WAS 0.75, ADDED DIM 4X R 4.5 AND ADDED NOTE 3.					419567	APR	APR	APR		
20.SE12	R	01	AE	-		UPDATED DELPHI LOGO & RECYCLING CODE POSITION & UPDATED NOTES					419720	APR	APR	APR		
05.FE13	R	01	AF	-		UPDATED PDM ATTRIBUTES					421352	APR	APR	APR		



SECTION A - A



- NOTES
- UNLESS OTHERWISE SPECIFIED AND/OR INDICATED:
DIMENSIONS ARE TO FACE OF VIEW SHOWN AND AUTOMATICALLY ROUNDED BY COMPUTER FOR INSPECTION (SEE MATH MODEL FOR PRECISE DIMENSIONS). FOR ALL OTHER DIMENSIONS NOT SHOWN BUT REQUIRED FOR TOOL BUILD, SEE MATH MODEL FOR PRECISE TOOL PATH DATA.
 - MATERIAL RECYCLING CODE PER ISO 11469. (2.3)X(0.1) CHARACTERS AS SHOWN TO BE LOCATED ON ANY EXTERIOR SURFACE.
 - (2.3)X(0.1) DELPHI CORPORATE BRAND TO BE LOCATED ON ANY EXTERIOR SURFACE, PREFERABLY VISIBLE AT FINAL ASSEMBLY. OPTIONAL CONSTRUCTION FOR EXISTING TOOLING MAY BE "PED".
 - THIS PRODUCT IS NOT CATEGORIZED AS AN APPEARANCE ITEM, MINOR IMPERFECTIONS INCLUDING, BUT NOT LIMITED TO, FLOW MARKS, COLOR BLEMISHES, GATE VESTIGE, AND SOFT FLASH THAT DO NOT AFFECT THE FIT, FORM, OR FUNCTION OF THE PART ARE PERMISSIBLE PER DPNP-4.7-CS-01.
 - DIMS 10 & 8 MUST BE MEASURED WHILE GROMMET SITTING ON TOP OF ASSM FORMED BY: 13781987 AND 15494614.

<p>6 PROCESS SENSITIVE DIMENSION</p> <p>DIMENSIONS ENCLOSED IN () INDICATE REFERENCE DIMENSIONS AND NO TOLERANCE LIMITS ARE ESTABLISHED</p> <table border="1"> <thead> <tr> <th>DIMENSIONAL RANGE (MM)</th> <th>CHART</th> <th>CT</th> </tr> </thead> <tbody> <tr> <td>FROM 0</td> <td>> 25</td> <td>> 80</td> </tr> <tr> <td>TO 25</td> <td>60</td> <td>80</td> </tr> <tr> <td colspan="3">TOLERANCE UNLESS OTHERWISE SPECIFIED</td> </tr> <tr> <td>+0.3</td> <td>+0.5</td> <td>+0.6</td> </tr> <tr> <td colspan="3">ANGULAR TOLERANCE ±2°</td> </tr> </tbody> </table>		DIMENSIONAL RANGE (MM)	CHART	CT	FROM 0	> 25	> 80	TO 25	60	80	TOLERANCE UNLESS OTHERWISE SPECIFIED			+0.3	+0.5	+0.6	ANGULAR TOLERANCE ±2°			<p>THIRD ANGLE PROJECTION</p> <p>DO NOT SCALE</p> <p>USE MATH DATA</p>
DIMENSIONAL RANGE (MM)	CHART	CT																		
FROM 0	> 25	> 80																		
TO 25	60	80																		
TOLERANCE UNLESS OTHERWISE SPECIFIED																				
+0.3	+0.5	+0.6																		
ANGULAR TOLERANCE ±2°																				
<p>ALL DIMENSIONS ARE IN MILLIMETERS</p>		<p>DATE</p> <p>20.JN12</p>																		
<p>THIS DOCUMENT IS IN ACCORDANCE WITH ASME Y14.5M-1994 AS MODIFIED BY THE 3D MODEL DIMENSIONING AND TOLERANCING ADDENDUM-2001. SEPARATE PATTERNS OF FEATURES MAY BE SHOWN SEPARATELY, RESPECTIVE OF DATUM REFERENCES.</p>		<p>OR</p> <p>AP/VD1 MA, ANTONIETA HDZ 20.JN12</p> <p>AP/VD2 J.S. ALVARADO 20.JN12</p> <p>AP/VD3 ALEJANDRA PAYAN 20.JN12</p> <p>AP/VD4</p>																		
<p>UNLESS OTHERWISE SPECIFIED</p>		<p>DATE</p> <p>20.JN12</p>																		
<p>THIS DOCUMENT IS IN ACCORDANCE WITH ASME Y14.5M-1994 AS MODIFIED BY THE 3D MODEL DIMENSIONING AND TOLERANCING ADDENDUM-2001. SEPARATE PATTERNS OF FEATURES MAY BE SHOWN SEPARATELY, RESPECTIVE OF DATUM REFERENCES.</p>		<p>OR</p> <p>AP/VD1 MA, ANTONIETA HDZ 20.JN12</p> <p>AP/VD2 J.S. ALVARADO 20.JN12</p> <p>AP/VD3 ALEJANDRA PAYAN 20.JN12</p> <p>AP/VD4</p>																		
<p>ALL DIMENSIONS ARE IN MILLIMETERS</p>		<p>DATE</p> <p>20.JN12</p>																		
<p>THIS DOCUMENT IS IN ACCORDANCE WITH ASME Y14.5M-1994 AS MODIFIED BY THE 3D MODEL DIMENSIONING AND TOLERANCING ADDENDUM-2001. SEPARATE PATTERNS OF FEATURES MAY BE SHOWN SEPARATELY, RESPECTIVE OF DATUM REFERENCES.</p>		<p>OR</p> <p>AP/VD1 MA, ANTONIETA HDZ 20.JN12</p> <p>AP/VD2 J.S. ALVARADO 20.JN12</p> <p>AP/VD3 ALEJANDRA PAYAN 20.JN12</p> <p>AP/VD4</p>																		
<p>UNLESS OTHERWISE SPECIFIED</p>		<p>DATE</p> <p>20.JN12</p>																		
<p>THIS DOCUMENT IS IN ACCORDANCE WITH ASME Y14.5M-1994 AS MODIFIED BY THE 3D MODEL DIMENSIONING AND TOLERANCING ADDENDUM-2001. SEPARATE PATTERNS OF FEATURES MAY BE SHOWN SEPARATELY, RESPECTIVE OF DATUM REFERENCES.</p>		<p>OR</p> <p>AP/VD1 MA, ANTONIETA HDZ 20.JN12</p> <p>AP/VD2 J.S. ALVARADO 20.JN12</p> <p>AP/VD3 ALEJANDRA PAYAN 20.JN12</p> <p>AP/VD4</p>																		
<p>ALL DIMENSIONS ARE IN MILLIMETERS</p>		<p>DATE</p> <p>20.JN12</p>																		

<p>DELPHI</p> <p>DELPHI PACKARD ELECTRICAL/ELECTRONIC ARCHITECTURE</p> <p>WARREN, OH</p> <p>COPYRIGHT 2012 DELPHI CORPORATION AND/OR ITS AFFILIATES. ALL RIGHTS RESERVED.</p> <p>THIS DRAWING IS THE PROPERTY OF DELPHI CORPORATION AND CONTAINS DELPHI CONFIDENTIAL INFORMATION. THE REPRODUCTION, DISTRIBUTION AND UTILIZATION OF THIS DOCUMENT OR ITS CONTENTS TO ANY OTHER PARTY WITHOUT EXPRESS AUTHORIZATION IS PROHIBITED.</p>	
<p>OR</p> <p>AP/VD1 MA, ANTONIETA HDZ 20.JN12</p> <p>AP/VD2 J.S. ALVARADO 20.JN12</p> <p>AP/VD3 ALEJANDRA PAYAN 20.JN12</p> <p>AP/VD4</p>	<p>DATE</p> <p>20.JN12</p>
<p>SUBSTANCE(S) OF CONCERN AND RECYCLED CONTENT PER DELPHI 10949001</p> <p>MATERIAL</p> <p>ETHYLENE PROPYLENE DIENE BLACK</p>	
<p>DRAWING NAME</p> <p>GROM CONN</p>	
<p>DRAWING NUMBER</p> <p>13957208</p>	
<p>SIZE</p> <p>A0</p>	<p>SCALE</p> <p>2:1</p>
<p>FRAME NO</p> <p>1 OF 1</p>	<p>SHEET NO</p> <p>1 OF 1</p>
<p>STG</p> <p>R</p>	<p>REV</p> <p>01</p>
<p>IVP</p> <p>AF</p>	<p>AP/VD</p> <p>1</p>

X-ON Electronics

Largest Supplier of Electrical and Electronic Components

Click to view similar products for [Automotive Connectors](#) category:

Click to view products by [APTIV](#) manufacturer:

Other Similar products are found below :

[003-018-000](#) [60403001](#) [60993906-B](#) [629515004020001](#) [M902-2131](#) [M902-2161](#) [72.330.1035.1](#) [73.353.4028.0](#) [F119300-B](#) [F166900](#)
[F258300-B](#) [F358300-B](#) [F407400](#) [F444110](#) [F487000](#) [F509500B-B](#) [827153-1](#) [8N1515-32-24P](#) [9-1326729-8](#) [925474-1](#) [928905-1](#) [964562-4](#)
[968782-1](#) [GT17SA-8DS-HU](#) [98891-1012](#) [98947-1016](#) [12004475-L](#) [12010290](#) [12010309-B](#) [12015454](#) [12020219-B](#) [12020308](#) [12041318-B](#)
[12052225-L](#) [12052466](#) [12059125](#) [12064869](#) [12004327-B](#) [12010503-B](#) [12015308](#) [12015384](#) [12015909](#) [1-21030-1](#) [12041254](#) [12041318](#)
[12047946-B](#) [12047957](#) [12047957-L](#) [12059473](#) [12066261](#)