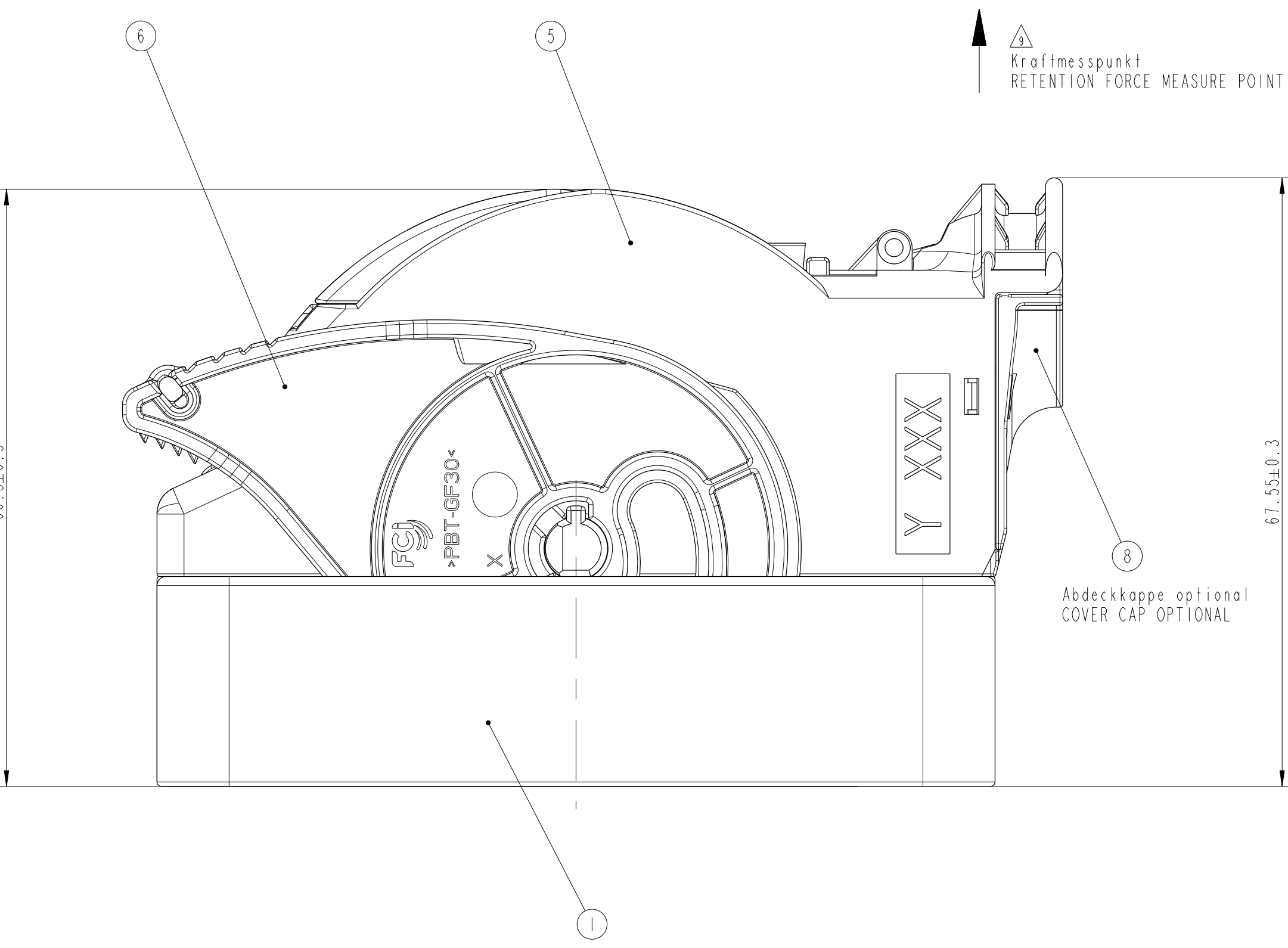
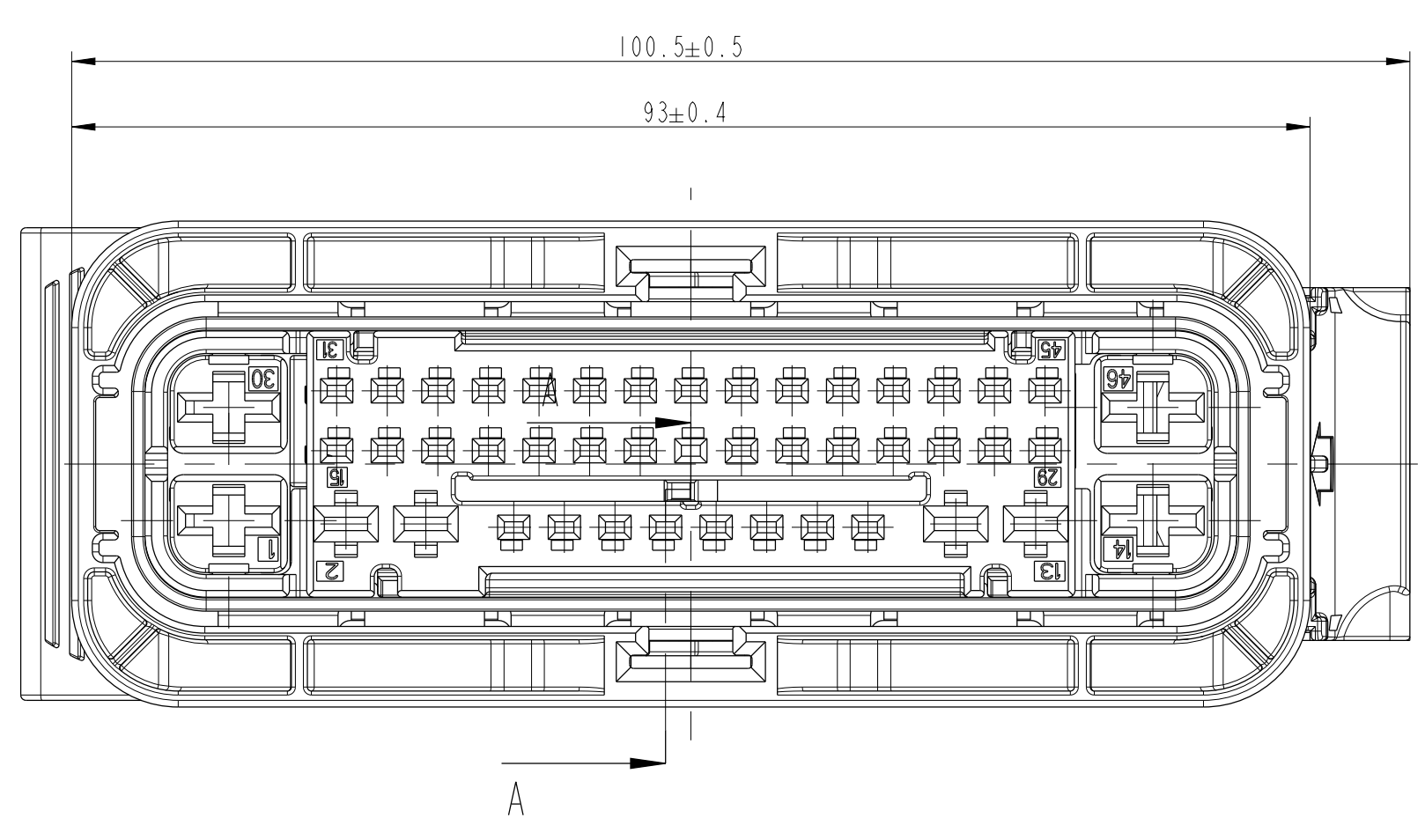
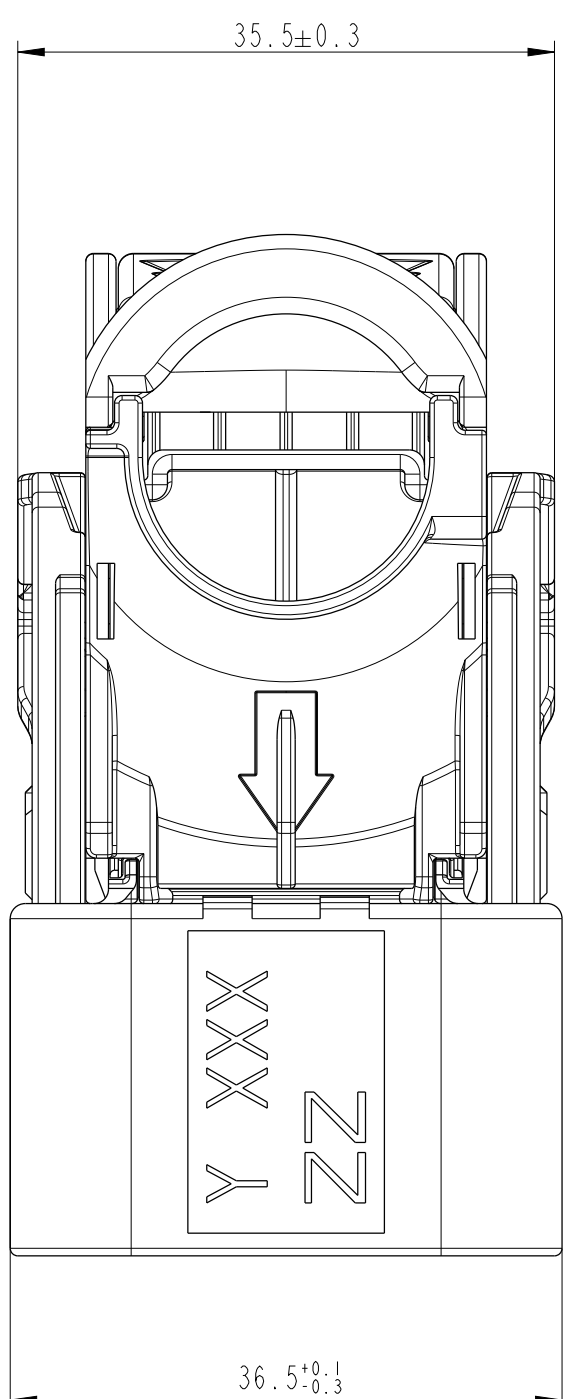
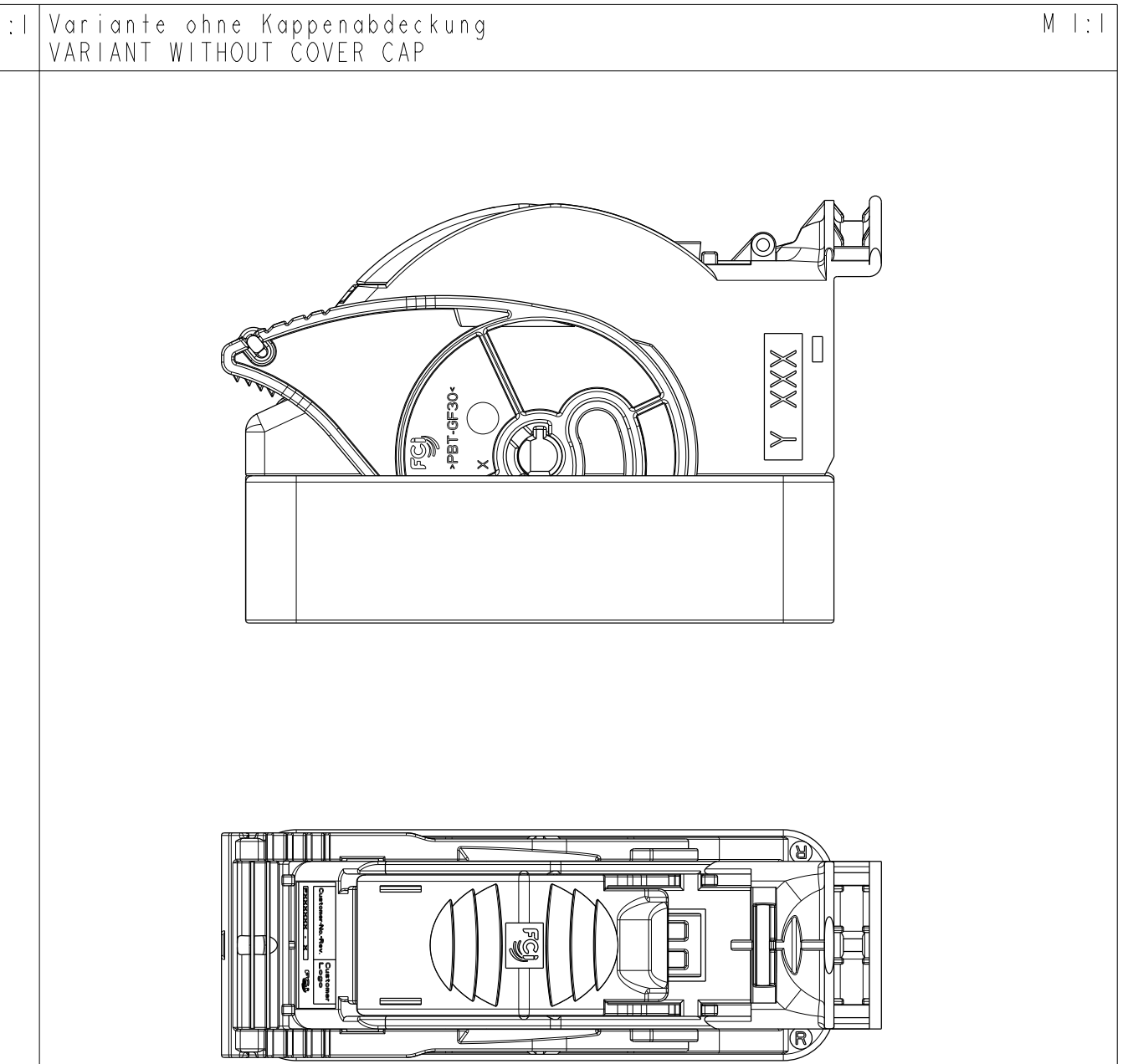
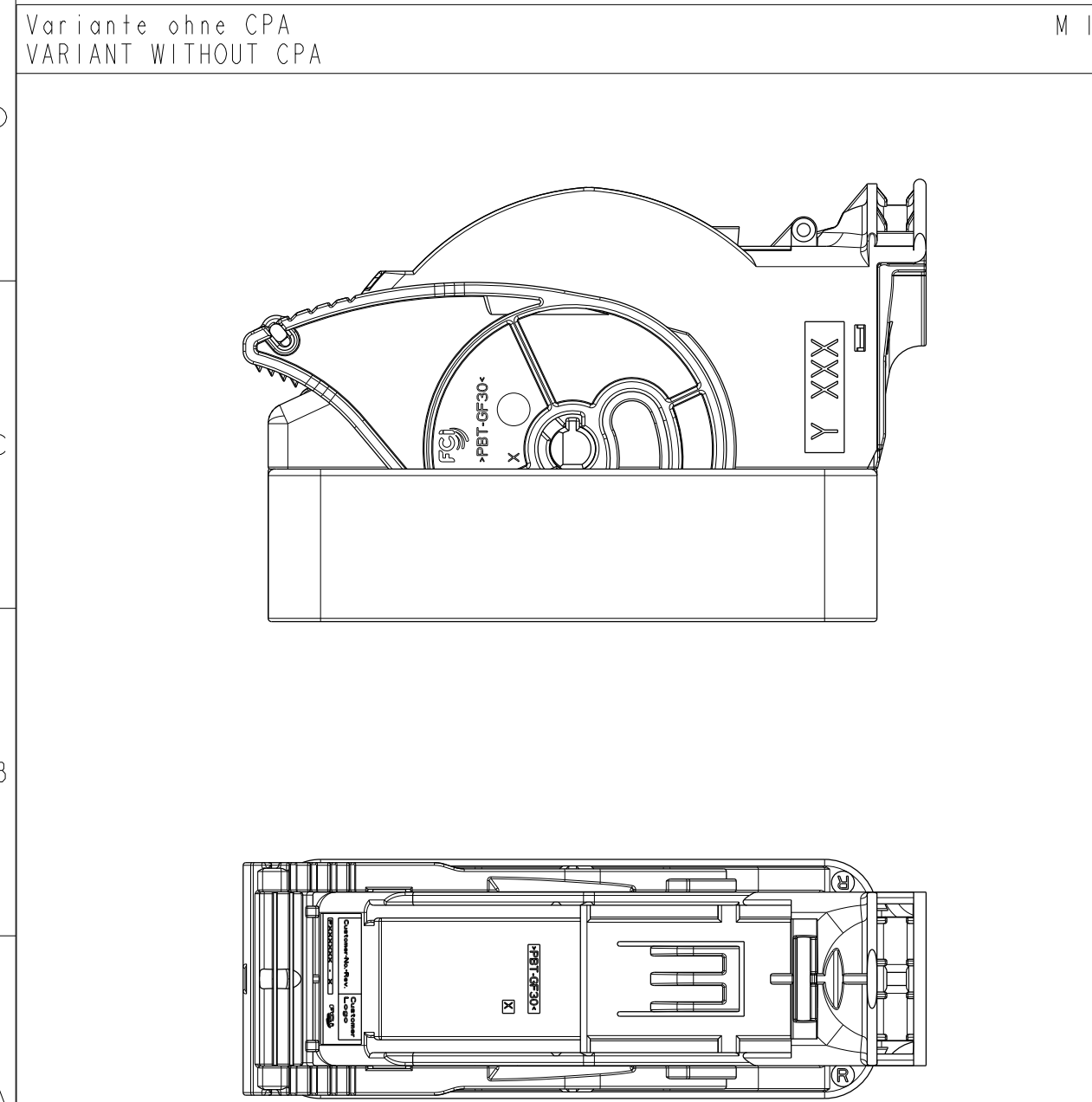
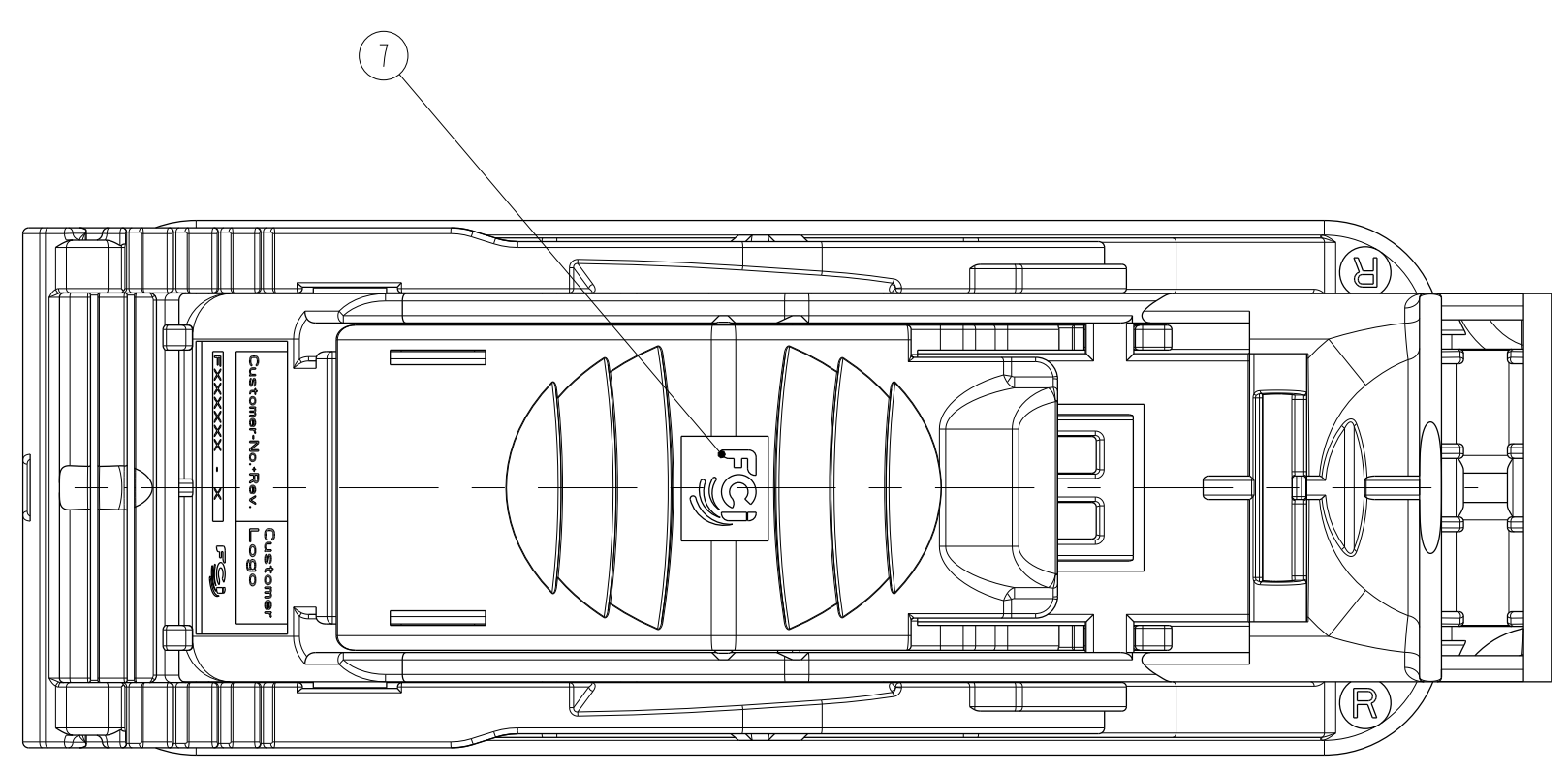
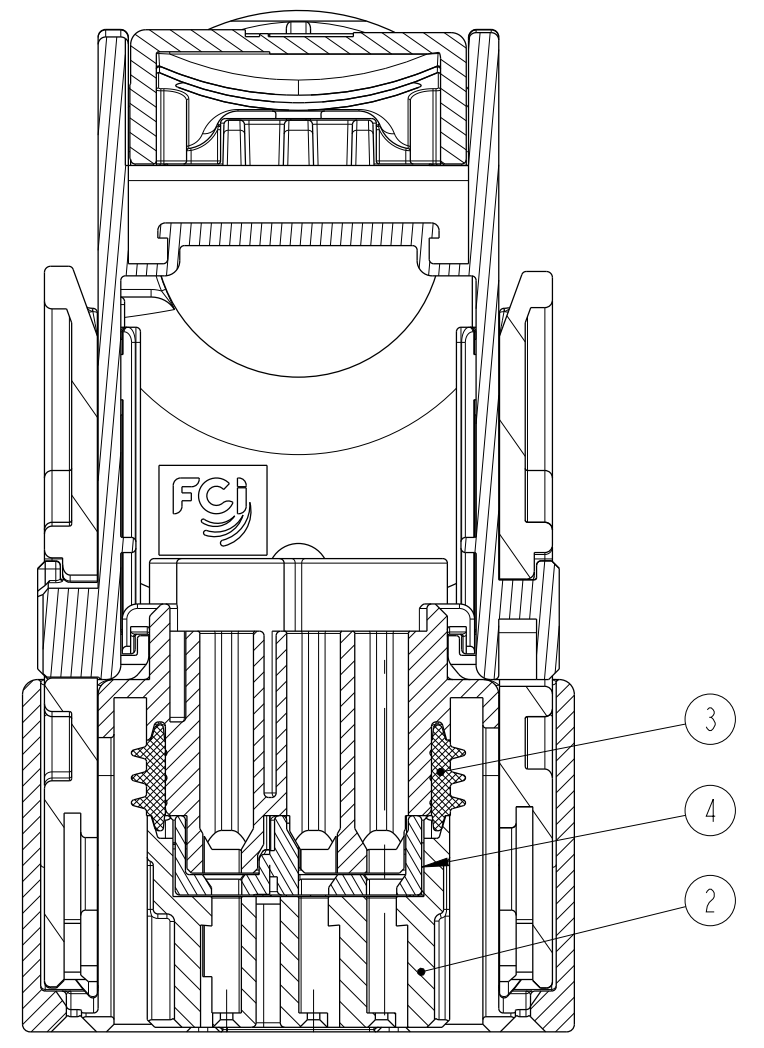


Kodierung M1:1  
CODING

A  
B  
C  
D  
E  
F  
Z



Schnitt A-A  
SECTION A-A



Darstellung einer geschlossenen Kammer  
SHOWN IS A CLOSED CAVITY  
M 1:1

geschlossene Kammer  
CLOSED CAVITY

		Kammer / CAVITY																																																				
Bauteile Nummer ASSY PART NUMBER	Kodierung CODING	1	2	3	4	5	6	7	8	9	10	11	12	13	14	15	16	17	18	19	20	21	22	23	24	25	26	27	28	29	30	31	32	33	34	35	36	37	38	39	40	41	42	43	44	45	46							
F142700	A																																																					
F242700	B																																																					
F342700	C																																																					
F442700	D																																																					
F542700	E																																																					
F642700	F																																																					
F042700	Z																																																					
Fxxxxxx	tbd.																																																					
Fxxxxxx	tbd.																																																					
Fxxxxxx	tbd.																																																					

X = Kammer geschlossen / CLOSED CAVITY  
= Kammer offen / OPEN CAVITY

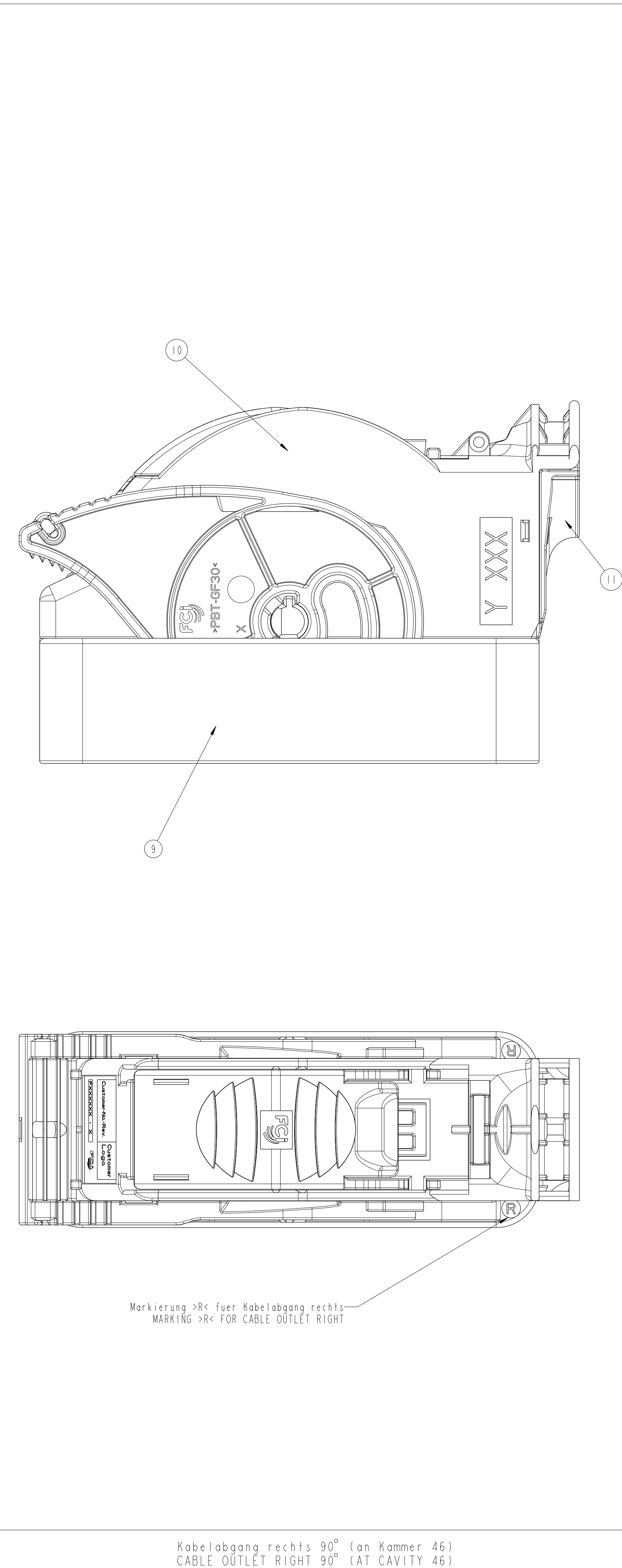
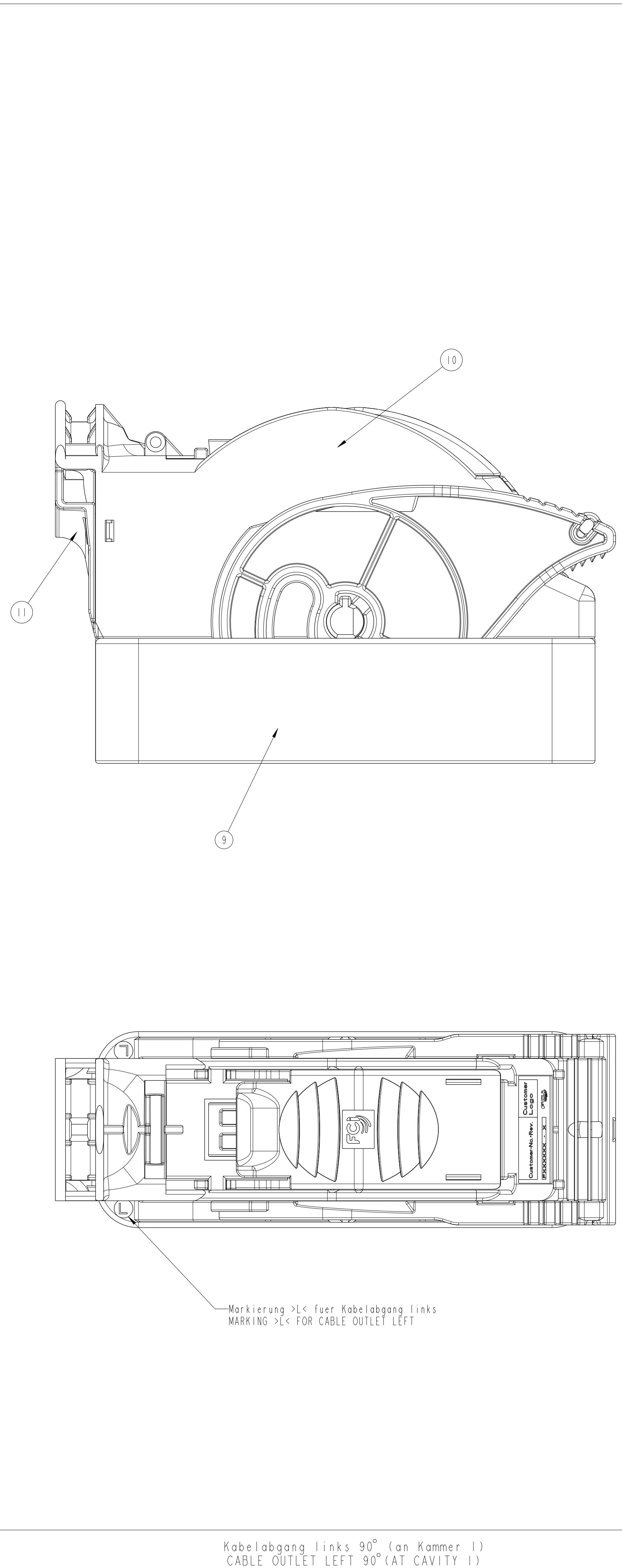
3D-Ansicht / 3D-VIEW (M 1:1)

ITEM NO.	DESCRIPTION	QUANTITY	UNIT
1	INITIAL RELEASE		

PROJ. NO. 161710  
DATE 19.01.2010  
DRAWN BY GJA  
CHECKED BY GJA  
APPROVED BY GJA

46WAY CONNECTOR ASSY.  
PCC0695067

Serial Released



FCI Bauteile Nr. / ASSY PART NO.	FCI Benennung / TITLE	FCI-INDEX Baugruppe / ASSEMBLY	Masse / WEIGHT [kg]	POS.
F692800	Kapverabdeckung / COVER CAP	A	0.02	11
F882800	Kappe kompl. ASSY COVER 90°	A	0.039	10
F042700	Gehaeuse kompl. ASSY HOUSING	A	0.055	9
F692800	Kapverabdeckung / COVER CAP	A	0.02	11
F882800	Kappe kompl. ASSY COVER 90°	A	0.039	10
F642700	Gehaeuse kompl. ASSY HOUSING	A	0.055	9
F692800	Kapverabdeckung / COVER CAP	A	0.02	11
F882800	Kappe kompl. ASSY COVER 90°	A	0.039	10
F542700	Gehaeuse kompl. ASSY HOUSING	A	0.055	9
F692800	Kapverabdeckung / COVER CAP	A	0.02	11
F882800	Kappe kompl. ASSY COVER 90°	A	0.039	10
F442700	Gehaeuse kompl. ASSY HOUSING	A	0.055	9
F692800	Kapverabdeckung / COVER CAP	A	0.02	11
F882800	Kappe kompl. ASSY COVER 90°	A	0.039	10
F342700	Gehaeuse kompl. ASSY HOUSING	A	0.055	9
F692800	Kapverabdeckung / COVER CAP	A	0.02	11
F882800	Kappe kompl. ASSY COVER 90°	A	0.039	10
F242700	Gehaeuse kompl. ASSY HOUSING	A	0.055	9
F692800	Kapverabdeckung / COVER CAP	A	0.02	11
F882800	Kappe kompl. ASSY COVER 90°	A	0.039	10
F142700	Gehaeuse kompl. ASSY HOUSING	A	0.055	9

FCI Teile Name / PART NAME	FCI Teilenummer / PART NO.	Stk. / OT.	Werkstoff / MATERIAL	Farbe aehnlich RAL / COLOUR SIMILAR RAL	POS.
Kapverabdeckung / COVER CAP	F692800	1	>PBT-GF30<	graphitschwarz / GRAPHITBLACK RAL 9011	8
CPA	S902700	1	>PBT-GF15<	orange / ORANGE RAL 2010	7
Hebel / LEVER	S012700	1	>PBT-GF30<	natur / NATURAL	6
Kappe 90° COVER 90°	S782800	1	>PBT-GF30<	graphitschwarz / GRAPHITBLACK RAL 9011	5
TPA	S102700	1	>PBT-GF15<	verkehrspurgr / TRAFFIC PURPLE RAL 4006	4
Radial-Dichtung / RADIAL SEAL	S661800	1	Silikonkautschuk / SILICON RUBBER	blau / BLUE RAL 5005	3
Kontaktfraser / TERMINAL CARRIER	S991700	1	>PBT-GF15<	natur / NATUR	2
Gehaeuse / HOUSING	S032700	1	>PBT-GF15<	signalschwarz / SIGNAL VIOLET RAL 4008	1

161710	INITIAL RELEASE	CHANGE DESCRIPTION	
161710	INITIAL RELEASE	CHANGE DESCRIPTION	
161710	INITIAL RELEASE	CHANGE DESCRIPTION	
161710	INITIAL RELEASE	CHANGE DESCRIPTION	
161710	INITIAL RELEASE	CHANGE DESCRIPTION	

161710	INITIAL RELEASE	CHANGE DESCRIPTION	
161710	INITIAL RELEASE	CHANGE DESCRIPTION	
161710	INITIAL RELEASE	CHANGE DESCRIPTION	
161710	INITIAL RELEASE	CHANGE DESCRIPTION	
161710	INITIAL RELEASE	CHANGE DESCRIPTION	

4WAY EUCON

PCC0695067

SERIAL RELEASED

Kabelabgang links 90° (an Kammer 1)  
CABLE OUTLET LEFT 90° (AT CAVITY 1)

Kabelabgang rechts 90° (an Kammer 46)  
CABLE OUTLET RIGHT 90° (AT CAVITY 46)

## X-ON Electronics

Largest Supplier of Electrical and Electronic Components

*Click to view similar products for [Automotive Connectors](#) category:*

*Click to view products by [APTIV](#) manufacturer:*

Other Similar products are found below :

[003-018-000](#) [60403001](#) [60993906-B](#) [629515004020001](#) [M902-2131](#) [M902-2161](#) [72.330.1035.1](#) [73.353.4028.0](#) [F119300-B](#) [F166900](#)  
[F258300-B](#) [F358300-B](#) [F407400](#) [F444110](#) [F487000](#) [F509500B-B](#) [827153-1](#) [8N1515-32-24P](#) [9-1326729-8](#) [925474-1](#) [928905-1](#) [964562-4](#)  
[968782-1](#) [GT17SA-8DS-HU](#) [98891-1012](#) [98947-1016](#) [12004475-L](#) [12010290](#) [12010309-B](#) [12015454](#) [12020219-B](#) [12020308](#) [12041318-B](#)  
[12052225-L](#) [12052466](#) [12059125](#) [12064869](#) [12004327-B](#) [12010503-B](#) [12015308](#) [12015384](#) [12015909](#) [1-21030-1](#) [12041254](#) [12041318](#)  
[12047946-B](#) [12047957](#) [12047957-L](#) [12059473](#) [12066261](#)