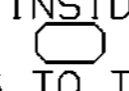
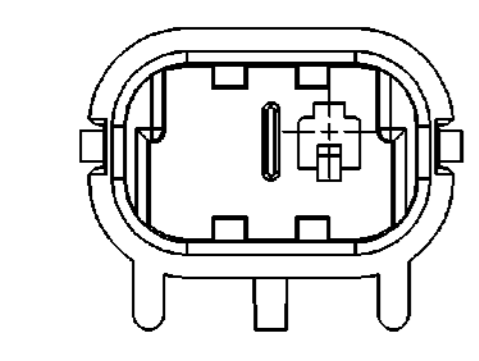
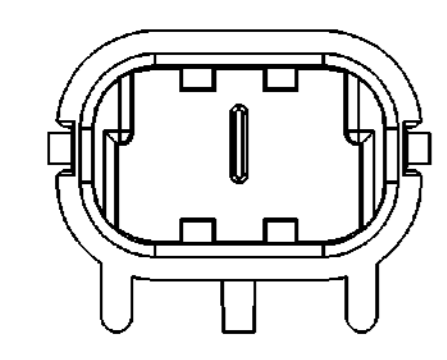
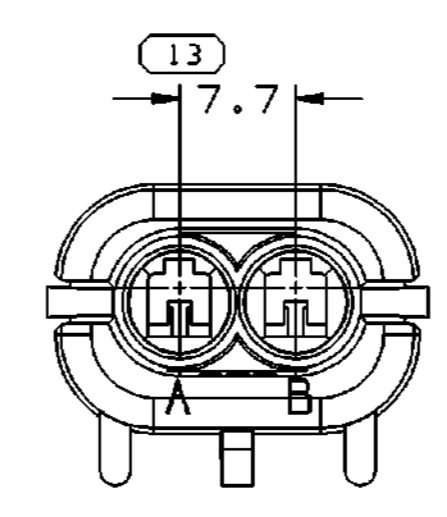
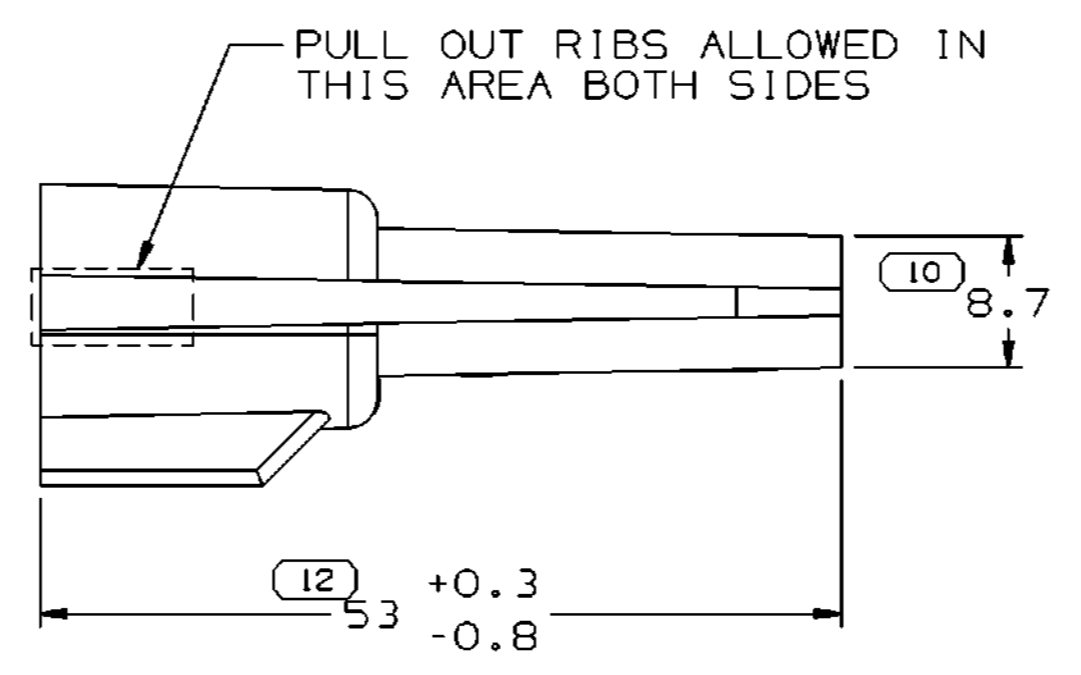
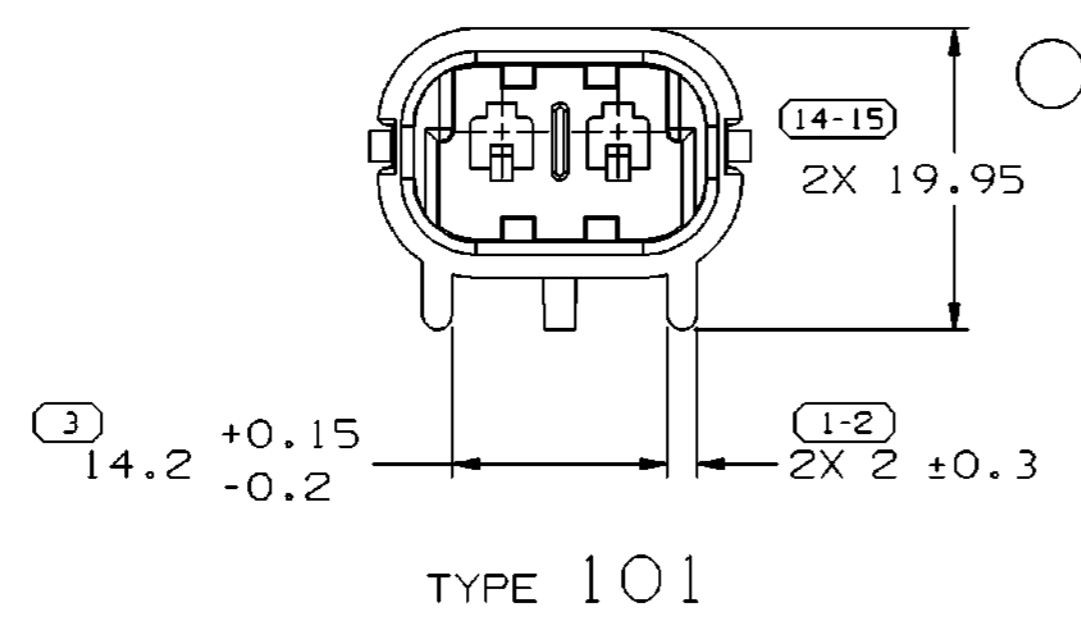


SYMBOL DEFINITION		MISSING NUMBERS
THE NUMBER INSIDE THE SYMBOL  CORRESPONDS TO THE NUMBER ON THE INSPECTION REPORT FOR THIS DRAWING/PART NUMBER	TOTAL NO. OF SYMBOLS ON DRAWING	4-8, 11
	LAST NO. USED	
	8	
	16	

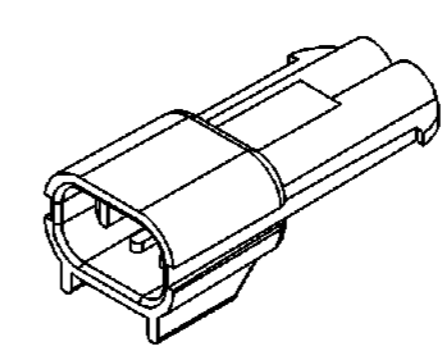
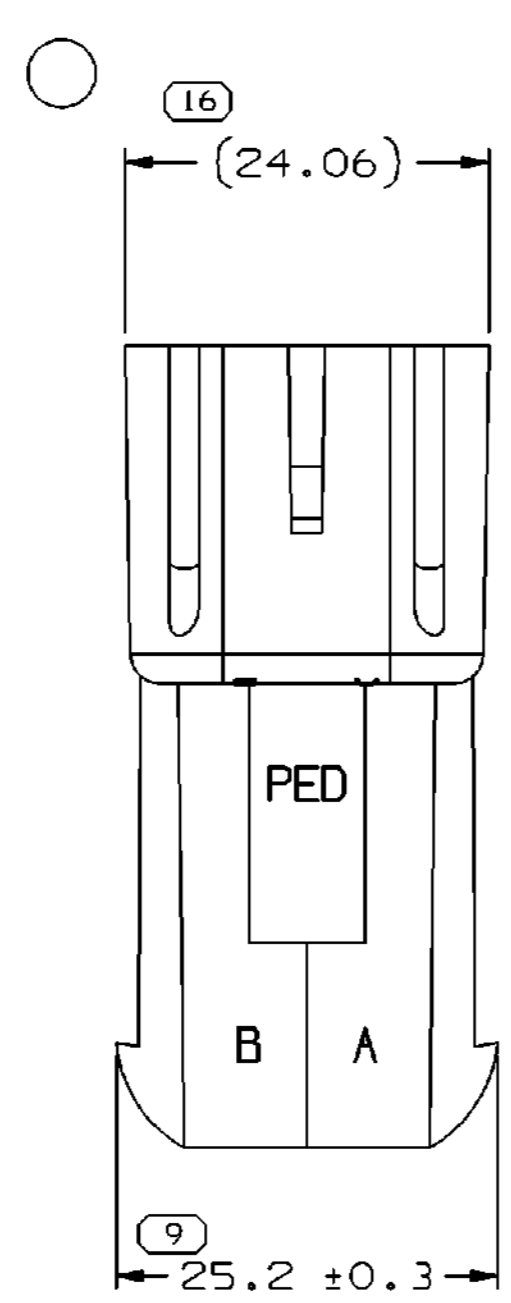
DWG STATUS					ZONE	REVISION HISTORY	AUTH	DR	APVD1	APVD2
DATE	STG	REV	N/P	CHG						
12MY00	R	01	-	-		ALL PARTS - REDRAWN TO PD	000009	JLZ	GMC	DN
12MY00	R	02	-	-		ALL PARTS - UPDATED PDM ATTRIBUTES	201187	JLZ	GMC	JA
03AP01	R	03	-	-		ALL PARTS - UPDATED PDM ATTRIBUTES	208122	JYD	RGT	JA
20JL01	R	04	-	-		ADDED NEW PART 15417946	212181	TW	TW	AL
04MR04	R	05	-	-		ALL PARTS-UPDATED MATERIAL SPECS.	252580	LLJ	LLJ	TM
17AU04	R	06	-	-		FOR P/N 15300002 AND 15300032 WAS REV. 04AD	257988	LMB	LMB	TM
24FE05	R	07	-	-		ALL PARTS - ADDED PULL OUT NOTE AND 2X 1.2+0.25-0.5 WAS 2X 1.2	265291	MAC	MAC	TM
24FE05	R	08	-	-		ALL PARTS-ADDED DIM 14-15 & 16, REMOVED 33.7, 18.95+0.3-0.35, 2X 1.2+0.25-0.5, 2 AND SEALING CODE NOTE	266854	MAC	MAC	TM



TYPE 102  
SAME AS TYPE 101  
EXCEPT AS SHOWN



TYPE 103  
SAME AS TYPE 101  
EXCEPT AS SHOWN



NOTES

- UNLESS OTHERWISE SPECIFIED AND/OR INDICATED:  
DIMENSIONS ARE TO FACE OF VIEW SHOWN AND AUTOMATICALLY ROUNDED BY COMPUTER FOR INSPECTION (SEE MATH MODEL FOR PRECISE DIMENSIONS). FOR ALL OTHER DIMENSIONS NOT SHOWN BUT REQUIRED FOR TOOL BUILD, SEE MATH MODEL FOR PRECISE TOOL PATH DATA.
- MATERIAL RECYCLING CODE PER ISO 11469. (2.3)X(0.1) CHARACTERS AS SHOWN TO BE LOCATED ON ANY EXTERIOR SURFACE. OPTIONAL CONSTRUCTION TO BE NO RECYCLE CODE.
- REFERENCE MATING COMPONENTS OR EQUIVALENT:  
CONNECTOR 15300008
- THIS PART ACCEPTS THE FOLLOWING COMPONENTS OR EQUIVALENT:  
TERMINAL 12040559  
TERMINAL POSITION ASSURANCE LOCK 15300014
- (2.3)X(0.1) DELPHI CORPORATE BRAND TO BE LOCATED ON ANY EXTERIOR SURFACE, PREFERABLY VISIBLE AT FINAL ASSEMBLY. OPTIONAL CONSTRUCTION FOR EXISTING TOOLING MAY BE "PED" OR NO LOGO.

PART NO	STG	REV	N/P	STATUS	TYPE	MATERIAL SPECIFICATION AND COLOR	REFERENCE	VOL CM <sup>3</sup>
15417946	R	01	AC		103	M3592025 PA66 HS IM GRA MD		7.028
15300032	R	D7	-		102	M3592025 PA66 HS IM GRA MD		6.998
15300002	R	D7	-		101	M3592001 PA66 HS IM BLK	REINSHAGEN P/N AK6127	6.968

DIMENSIONAL RANGE (MM)		CHART E1	
FROM	TO	1	2
> 0	> 20	> 30	> 70
> 20	> 30	> 70	> 100
> 30	> 70	> 100	> 150
> 70	> 100	> 150	> 200
> 100	> 150	> 200	> 250
> 150	> 200	> 250	> 300
> 200	> 250	> 300	> 400

TOLERANCE UNLESS OTHERWISE SPECIFIED

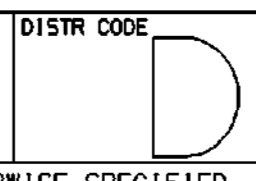
±0.15	±0.2	±0.3	±0.4	±0.5	±0.6	±1	±1.2
-------	------	------	------	------	------	----	------

ANGULAR TOLERANCE ±2°

DWG TYPE: PART DRAWING

STYLE: SEE CHART

VOLUME (CM<sup>3</sup>): SEE CHART

DISTR CODE: 


UNLESS OTHERWISE SPECIFIED  
THIS DOCUMENT IS IN ACCORDANCE WITH ASME Y14.5M-1994 AS AMENDED BY THE GM GLOBAL DIMENSIONING AND TOLERANCING ADDENDUM-2001. SEPARATE PATTERNS OF FEATURES MAY BE GAGED SEPARATELY REGARDLESS OF DATUM REFERENCES.

ALL DIMENSIONS ARE IN MILLIMETERS

THIRD ANGLE PROJECTION

DO NOT SCALE

USE MATH DATA



**DELPHI**

DELPHI PACKARD ELECTRIC SYSTEMS  
WARREN, OH

DR	DATE
APVD1 J. ZAMUDIO	12MY00
APVD2 G. MACIAS	12MY00
APVD3 D. NAVARRO	12MY00
APVD4	
APVD5	

SUBSTANCES OF CONCERN AND RECYCLED CONTENT PER DELPHI 10949001

MATERIAL: SEE CHART

DRAWING NAME: TAXI CONN M M/P 280

DRAWING NUMBER: 15300033

SIZE	SCALE	FRAME NO	SHEET NO	STG	REV	N/P
A1	2:1	1 OF 1	1 OF 1	R	08	-

## X-ON Electronics

Largest Supplier of Electrical and Electronic Components

*Click to view similar products for [Automotive Connectors](#) category:*

*Click to view products by [APTIV](#) manufacturer:*

Other Similar products are found below :

[003-018-000](#) [60993906-B](#) [72.330.1035.1](#) [F358300-B](#) [F407400](#) [776880-1](#) [827153-1](#) [8N1515-32-24P](#) [9-1326729-8](#) [925474-1](#) [928905-1](#)  
[964562-4](#) [968782-1](#) [98891-1012](#) [12004475-L](#) [12020219-B](#) [12052466](#) [12066163](#) [12015909](#) [1-21030-1](#) [12041318](#) [12047957](#) [12185550](#)  
[12336-12](#) [1-326211-1](#) [13681974](#) [13783086](#) [13832576](#) [13843152](#) [13522378](#) [13675513](#) [13790534-L](#) [1428188-1](#) [1437287-3](#) [1428188-2](#)  
[DS07-19S-5020](#) [1456983-5](#) [1456987-7](#) [APD-7CP-H](#) [APK-SB25A10L](#) [1452931-2](#) [15435215](#) [15491972](#) [15305306](#) [15396680](#) [15425613](#)  
[15470590](#) [15512726](#) [15521504](#) [15522351](#)