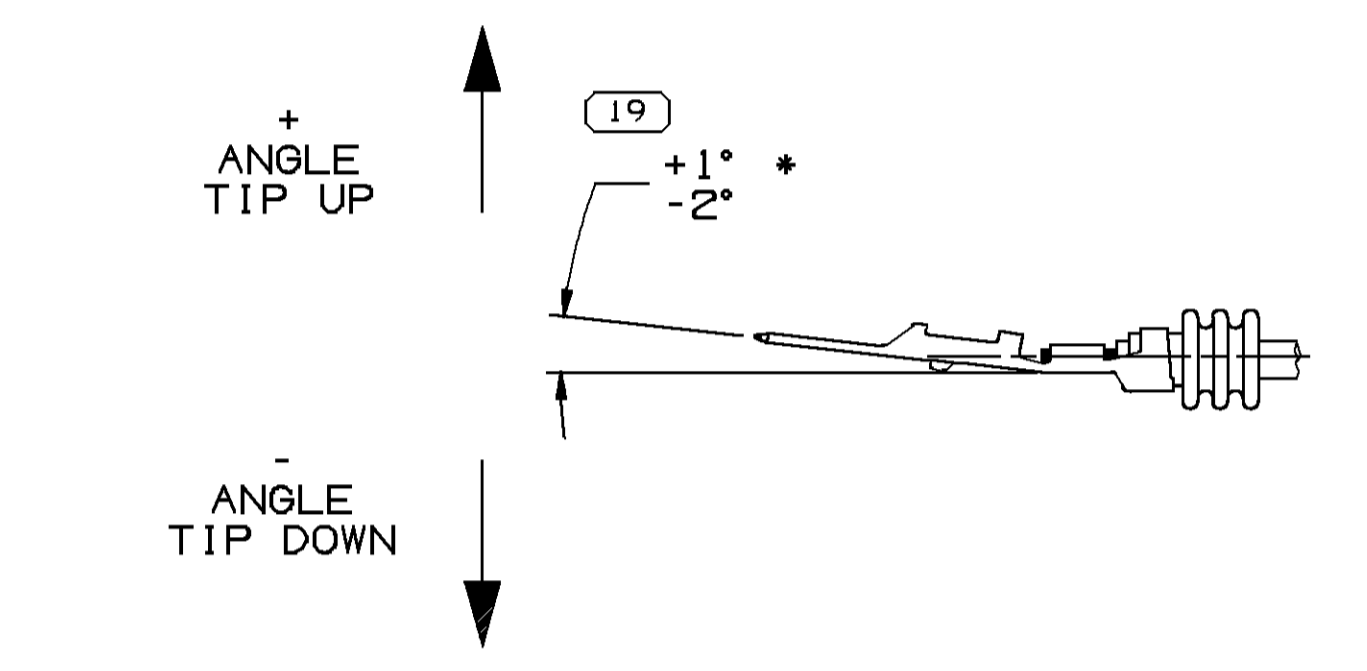
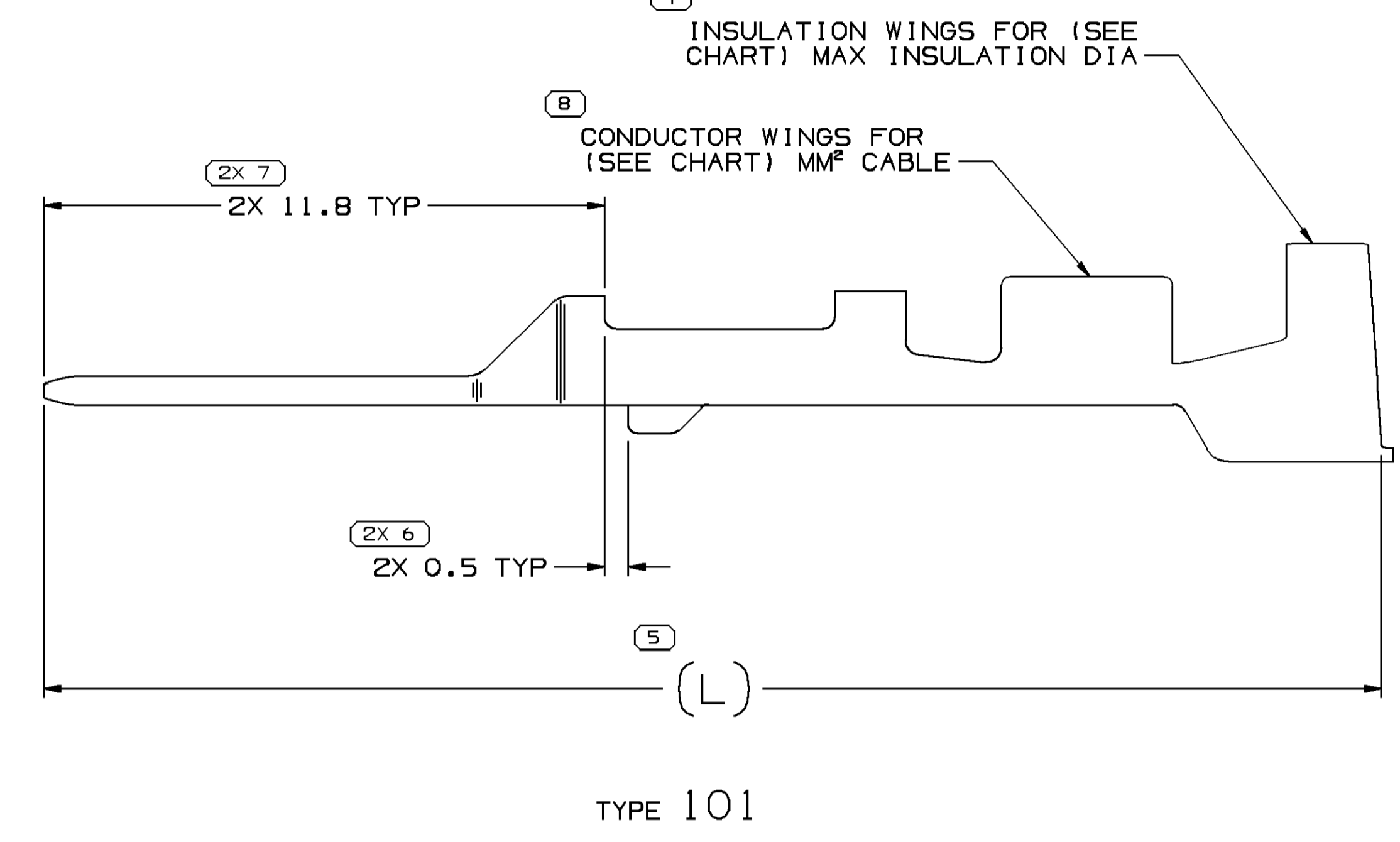
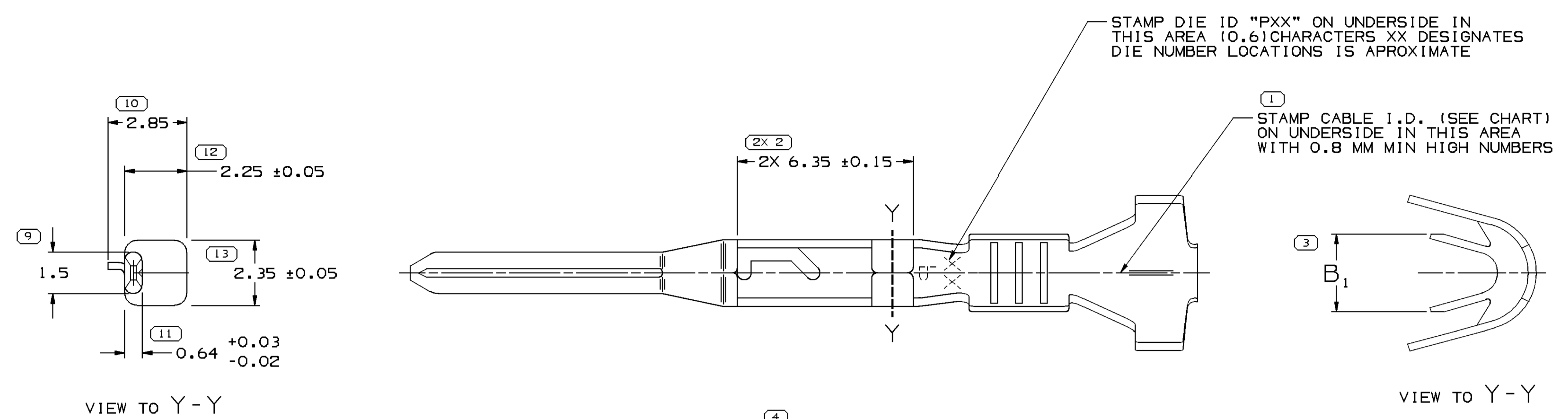
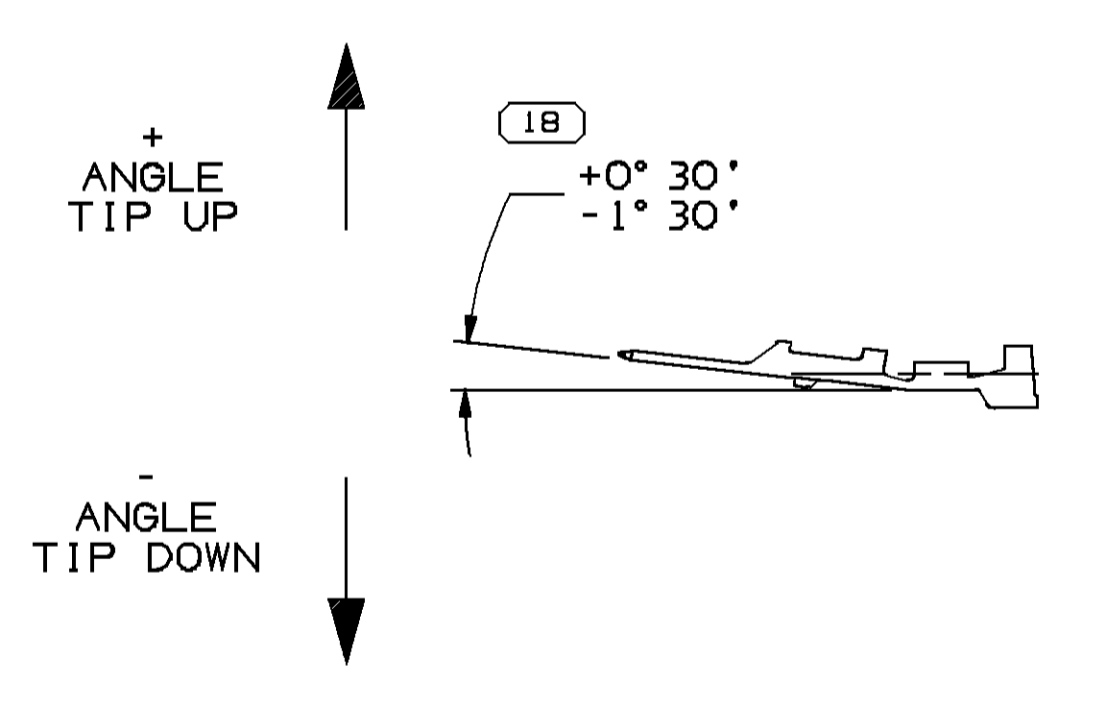


SYMBOL DEFINITION		TOTAL NO OF INSPECTIONS REQUIRED		MISSING SYMBOLS	
A DIMENSION WITHOUT AN INSPECTION REPORT SYMBOL DOES NOT REQUIRE INSPECTION. IT MAY BE CONTROLLED ON THE INDIVIDUAL COMPONENT DRAWING.		24		NO MISSING SYMBOL NUMBER	
		LAST NO. USED	19		

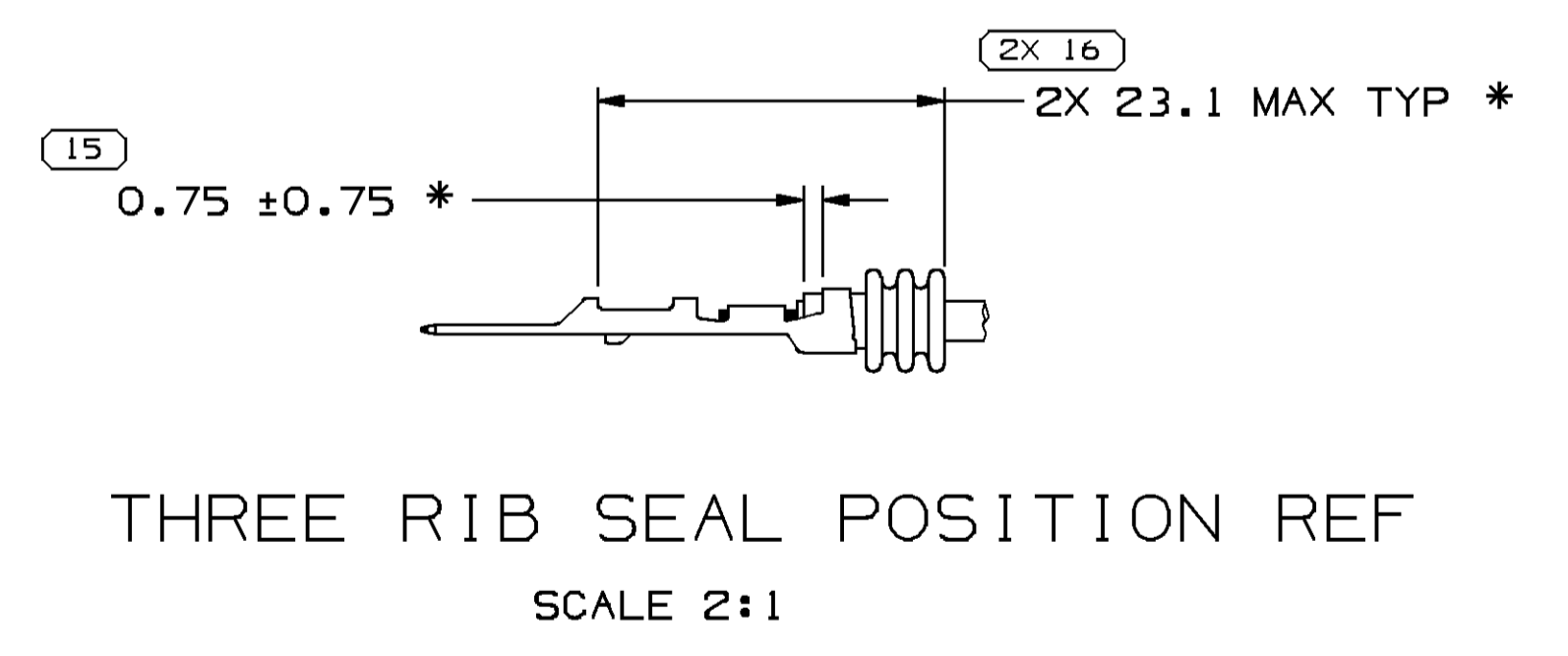
DWS STATUS		ZONE		REVISION HISTORY		AUTH		DR		APVD/APVD	
DATE	STG	REV	N/P	CHG							
30JL02	R	07	-	-	CLEARED REVISION COLUMN; ALL ACTIVE PARTS - UPDATED PDM ATTRIBUTES	226419	ECB	JAA	TTP		
17JL03	R	08	-	-	15369260, 15304708, 15304705 AND 15304704 - ADDED TERMINAL MAKE STRAIGHTNESS AND TERMINAL CRIMP STRAIGHTNESS VIEWS. DRAWING SIZE WAS A1. REVISED LOCAL NOTE.	242518	BRB	BRB	MC		
070C03	R	09	-	-	15304705 - UPDATED PDM ATTRIBUTES	246958	EES	EES	AD		
07FE04	R	10	-	-	ALL ACTIVE PARTS - REMOVED 0.750, 75 & 2X 21.3 MAX TIP DIMS; DIM #7 WAS #24 & DIM #24 WAS #28	251682	TLD	TLD	MJC		
040C04	R	11	-	-	15304704-05, 15304708 & 15369260 - ADDED STAMP DIE I.D.	259308	CTR	JVM	MKM		
01DE08	R	12	-	-	ALL ACTIVE PARTS - UPDATED MATERIAL	406827	MH	HCG	MH		
18MR10	R	13	-	-	ALL ACTIVE PARTS - UPDATED PDM ATTRIBUTES	410262	JTZ	JTZ	MAC		
06AU10	R	14	-	-	ALL ACTIVE PARTS - ADDED PLATING NOTE, UPDATED MAT'L CALLOUT AND ADDED CONTACT AREA & CRIMP AREA COLUMNS ON CHART	411494	CBG	CBG	VMR		
060C10	R	15	-	-	ALL ACTIVE PARTS - UPDATED PLATED NOTES	412129	CBG	CBG	VMR		
10AU11	R	16	-	-	ALL ACTIVE PARTS - ADDED PREFERRED MAT'L SIZE COLUMN AND UPDATED PDM ATTRIBUTES	415106	JAR	JAR	DAF		
030C12	R	17	-	-	13969180 - RELEASED	419883	CER	CER	JFF		



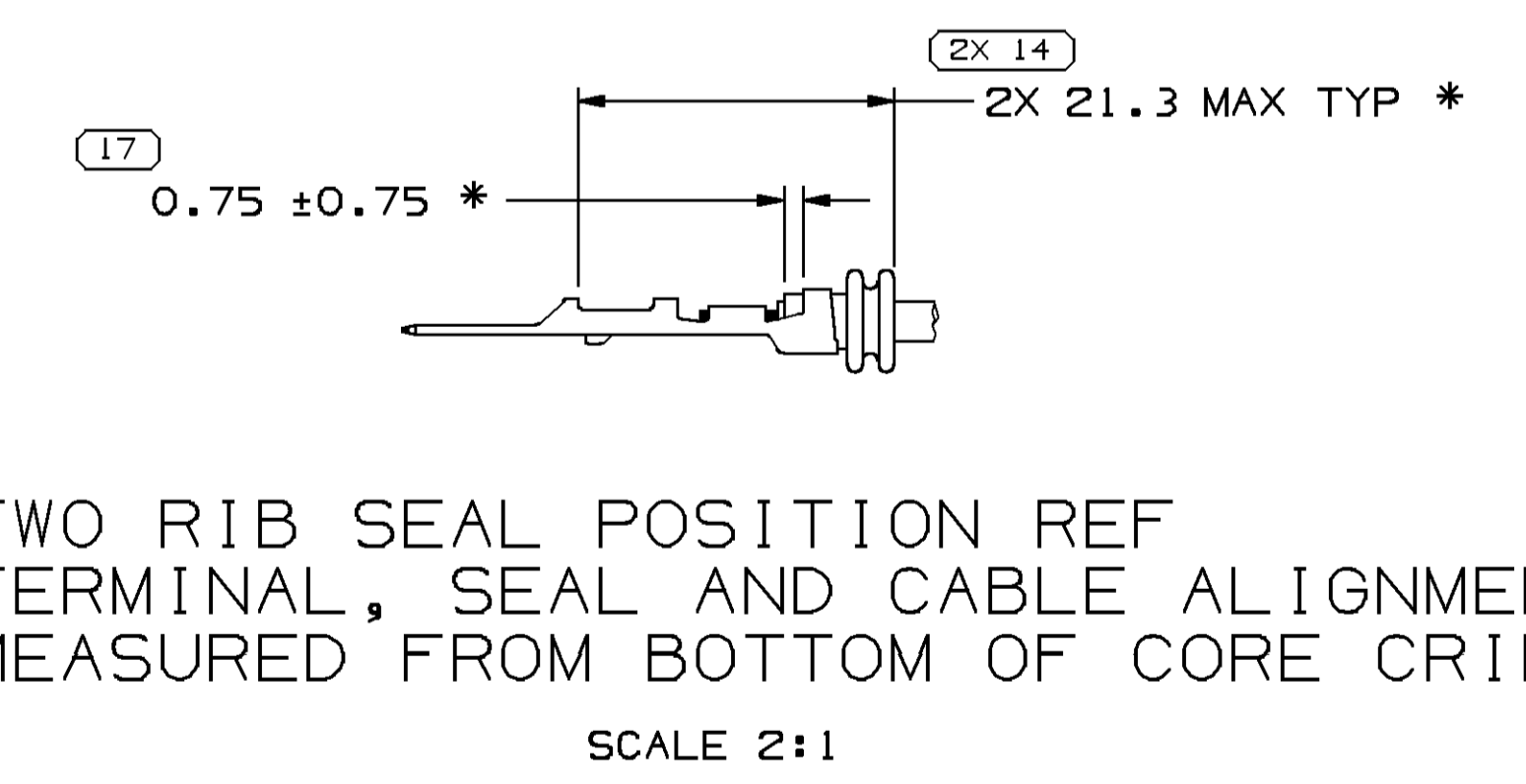
TERMINAL, SEAL AND CABLE ALIGNMENT MEASURED FROM BOTTOM OF CORE CRIMP SCALE 2:1



TERMINAL ALIGNMENT (TERMINAL MAKE) MEASURED FROM BOTTOM OF CORE CRIMP SCALE 2:1



THREE RIB SEAL POSITION REF SCALE 2:1



TWO RIB SEAL POSITION REF TERMINAL, SEAL AND CABLE ALIGNMENT MEASURED FROM BOTTOM OF CORE CRIMP SCALE 2:1

- NOTES
- UNLESS OTHERWISE SPECIFIED AND/OR INDICATED:
    - DIMENSIONS ARE TO FACE OF VIEW SHOWN AND AUTOMATICALLY ROUNDED BY COMPUTER FOR INSPECTION (SEE MATH MODEL FOR PRECISE DIMENSIONS). FOR ALL OTHER DIMENSIONS NOT SHOWN BUT REQUIRED FOR TOOL BUILD, SEE MATH MODEL FOR PRECISE TOOL PATH DATA.
  - MATING COMPONENTS OR EQUIVALENT: TERMINAL 12191816.
  - \* DENOTES DIMENSIONS MADE AT CUT-OFF AND CRIMP DIE.
  - PLATING TYPE:
    - REFLOW TIN 1.9 - 3.3 MICROMETERS THICK WITH A COPPER UNDERPLATE 0.5 MICROMETER TO 1.0 MICROMETER THICK.

PLATING TYPE INFORMATION SHOWN ABOVE IS REFERENCE ONLY. PLATING REQUIREMENTS ARE CONTAINED IN APPLICABLE MATERIAL SPECIFICATION.

PART NO	REV/N/P	PREFERRED MAT'L SIZE	ALTERNATIVE MAT'L SIZE	MAT'L DESCRIPTION	SIZE (MM)	DIA	TYPE	B <sub>1±0.2</sub>	(L)	REPLACED BY	RESTRICTED USAGE	CONTACT AREA PLATING TYPE (SEE NOTE 4)	CRIMP AREA PLATING NOTE (SEE NOTE 4)
13969180	01	-	0.3 X 35.75	COPPER ALLOY	1.5 - 2.5	14	3.0 - 2.2	101	3.75	28.15	-	-	-
15369260	01	AK	0.3 X 35.75	COPPER ALLOY	1 - 1.5	15	2.4 - 1.9	101	2.95	28.15	-	RESTRICTED	-
15304708	E10	-	0.3 X 35.75	COPPER ALLOY	1 - 1.5	15	2.4 - 1.9	101	2.95	28.15	-	RESTRICTED	-
15304707	E1	-	-	COPPER ALLOY	0.75 - 1	17	2.25 - 1.7	101	2.65	28.15	15326269	-	-
15304706	F1	-	-	COPPER ALLOY	0.35 - 0.5	21	1.85 - 1.2	101	2.1	28.15	15326268	-	-
15304705	E11	-	0.3 X 35.75	COPPER ALLOY	0.75 - 1	17	2.25 - 1.7	101	2.65	28.15	-	-	-
15304704	E10	-	0.3 X 35.75	COPPER ALLOY	0.35 - 0.5	21	1.85 - 1.2	101	2.1	28.15	-	-	-

DIMENSIONAL RANGE (MM)		CHART ID
FROM	0	> 12
TO	12	

THIRD ANGLE PROJECTION		DO NOT SCALE	
USE MATH DATA			

**DELPHI**  
 DELPHI PACKARD ELECTRICAL/ELECTRONIC ARCHITECTURE  
 WARREN, OH  
 COPYRIGHT 1996 DELPHI CORPORATION AND/OR ITS AFFILIATES. ALL RIGHTS RESERVED.  
 THIS DRAWING IS THE PROPERTY OF DELPHI CORPORATION. THE REPRODUCTION, DISTRIBUTION AND UTILIZATION OF THIS DOCUMENT OR ITS RELATED CAD WITH DATA, AS WELL AS COMMUNICATION OF ANY CONTENT TO OTHERS, WITHOUT EXPRESS AUTHORIZATION IS PROHIBITED.

DATE: 04-04-12 Time: 08:48

APVD1 N. VERGARA 06FE96  
 APVD2 T. STEELE 08JUN96  
 APVD3 S.S. HSIEH 28JUN96  
 APVD4

THIS DOCUMENT IS IN ACCORDANCE WITH ASME Y14.5M-1994 AS MODIFIED BY THE 2003 SUPPLEMENT AND TELEPHONIC ADDENDUM-2001. SEPARATE PATTERNS OF FEATURES MAY BE SHOWN SEPARATELY, REGARDLESS OF DATUM REFERENCES.

ALL DIMENSIONS ARE IN MILLIMETERS

UNLESS OTHERWISE SPECIFIED

REFERENCE

DRAWING NUMBER: 15304703

SHEET NO: 1 OF 3

## X-ON Electronics

Largest Supplier of Electrical and Electronic Components

*Click to view similar products for [Automotive Connectors](#) category:*

*Click to view products by [APTIV](#) manufacturer:*

Other Similar products are found below :

[003-018-000](#) [60403001](#) [60993906-B](#) [629515004020001](#) [M902-2131](#) [M902-2161](#) [72.330.1035.1](#) [73.353.4028.0](#) [F119300-B](#) [F166900](#)  
[F258300-B](#) [F358300-B](#) [F407400](#) [F444110](#) [F487000](#) [F509500B-B](#) [827153-1](#) [8N1515-32-24P](#) [9-1326729-8](#) [925474-1](#) [928905-1](#) [964562-4](#)  
[968782-1](#) [GT17SA-8DS-HU](#) [98891-1012](#) [98947-1016](#) [12004475-L](#) [12010290](#) [12010309-B](#) [12015454](#) [12020219-B](#) [12020308](#) [12041318-B](#)  
[12052225-L](#) [12052466](#) [12059125](#) [12064869](#) [12004327-B](#) [12010503-B](#) [12015308](#) [12015384](#) [12015909](#) [1-21030-1](#) [12041254](#) [12041318](#)  
[12047946-B](#) [12047957](#) [12047957-L](#) [12059473](#) [12066261](#)