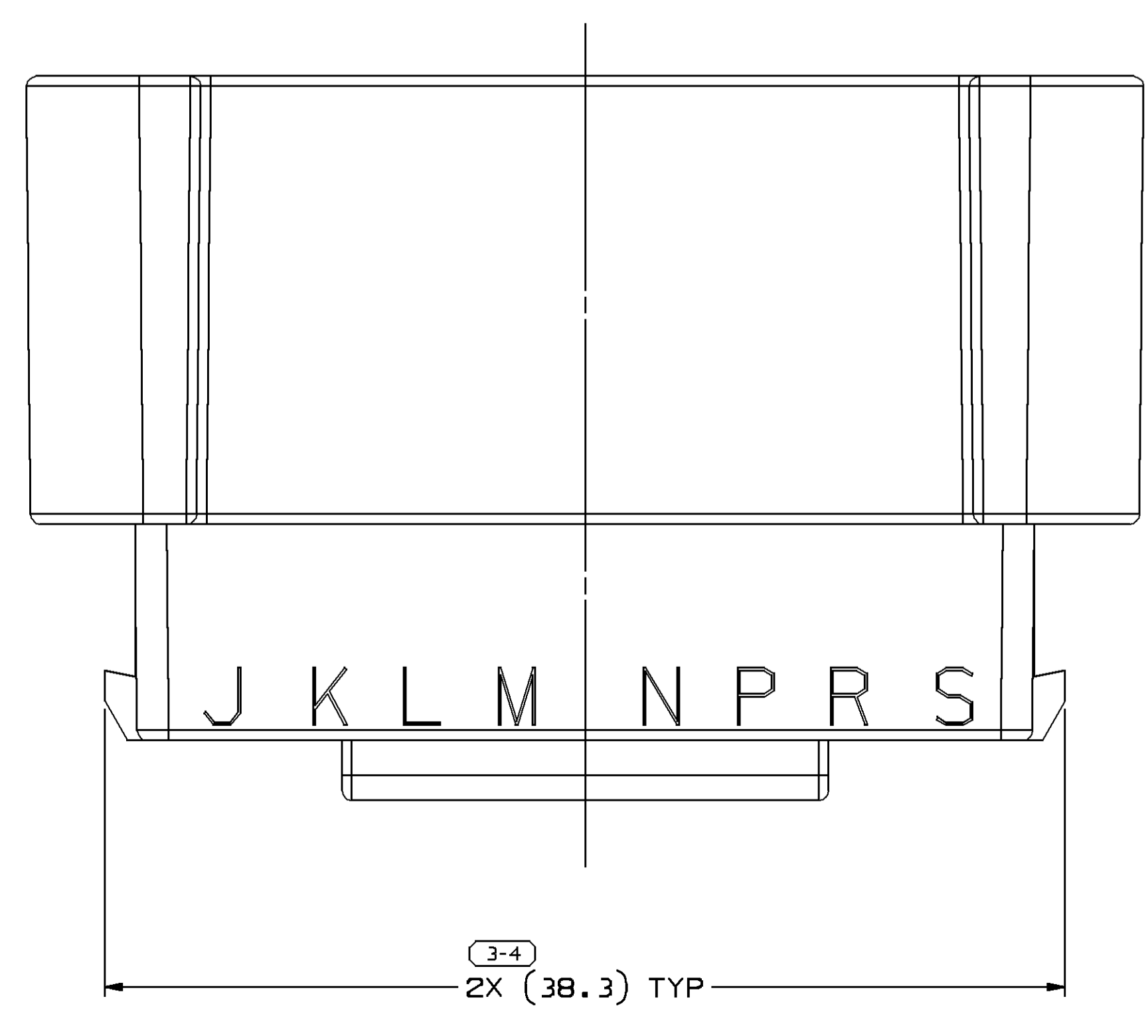
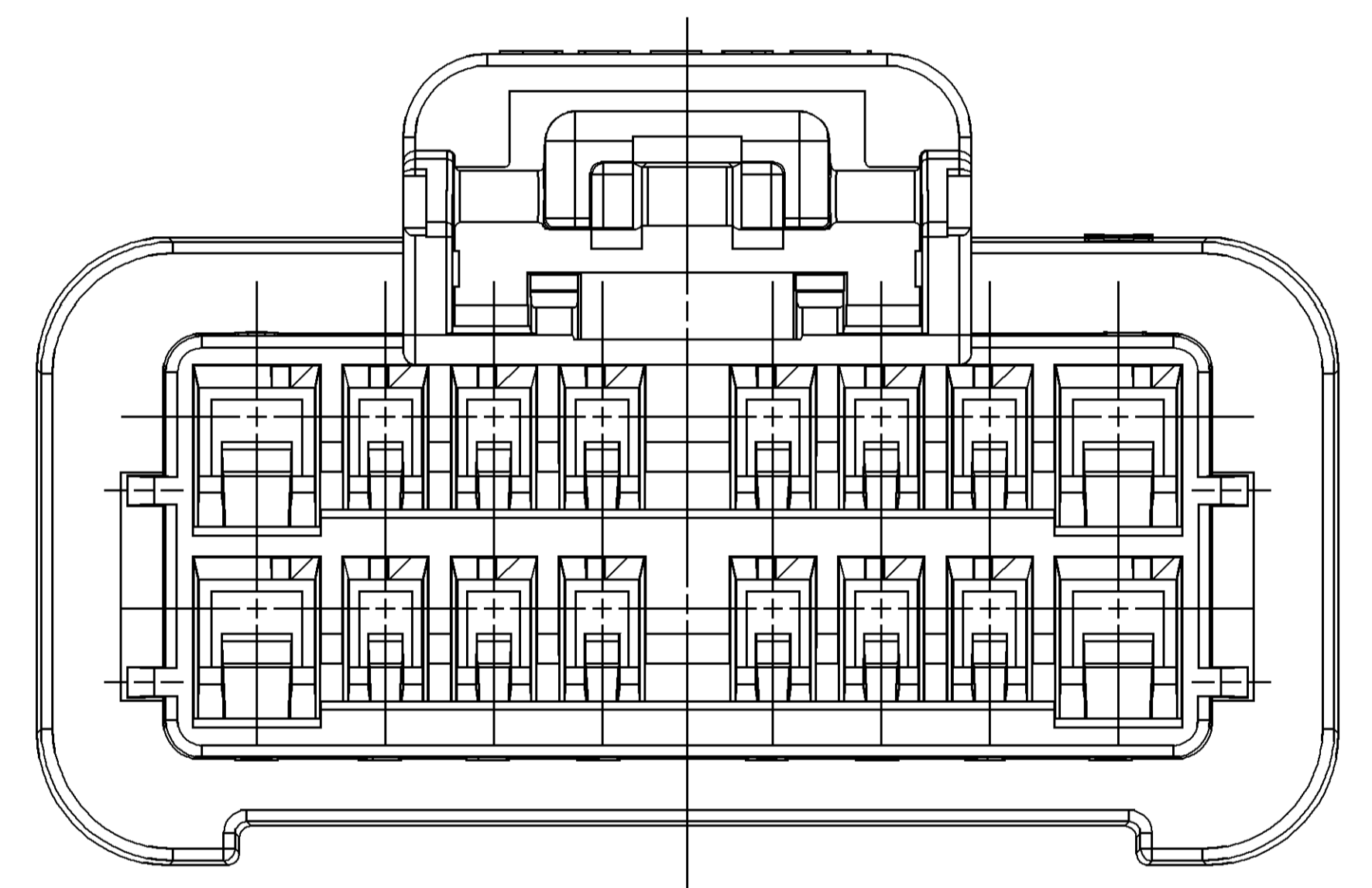
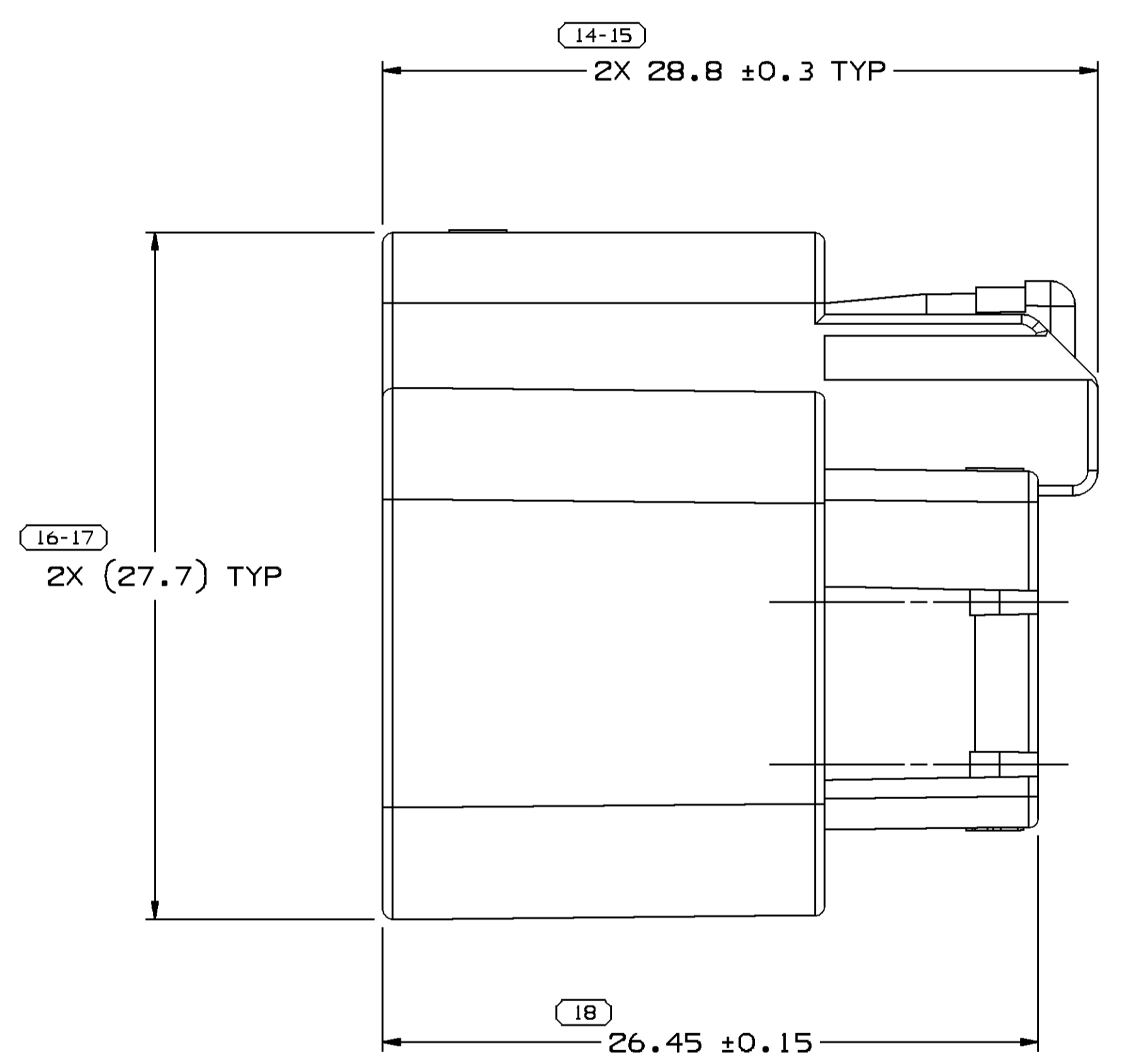
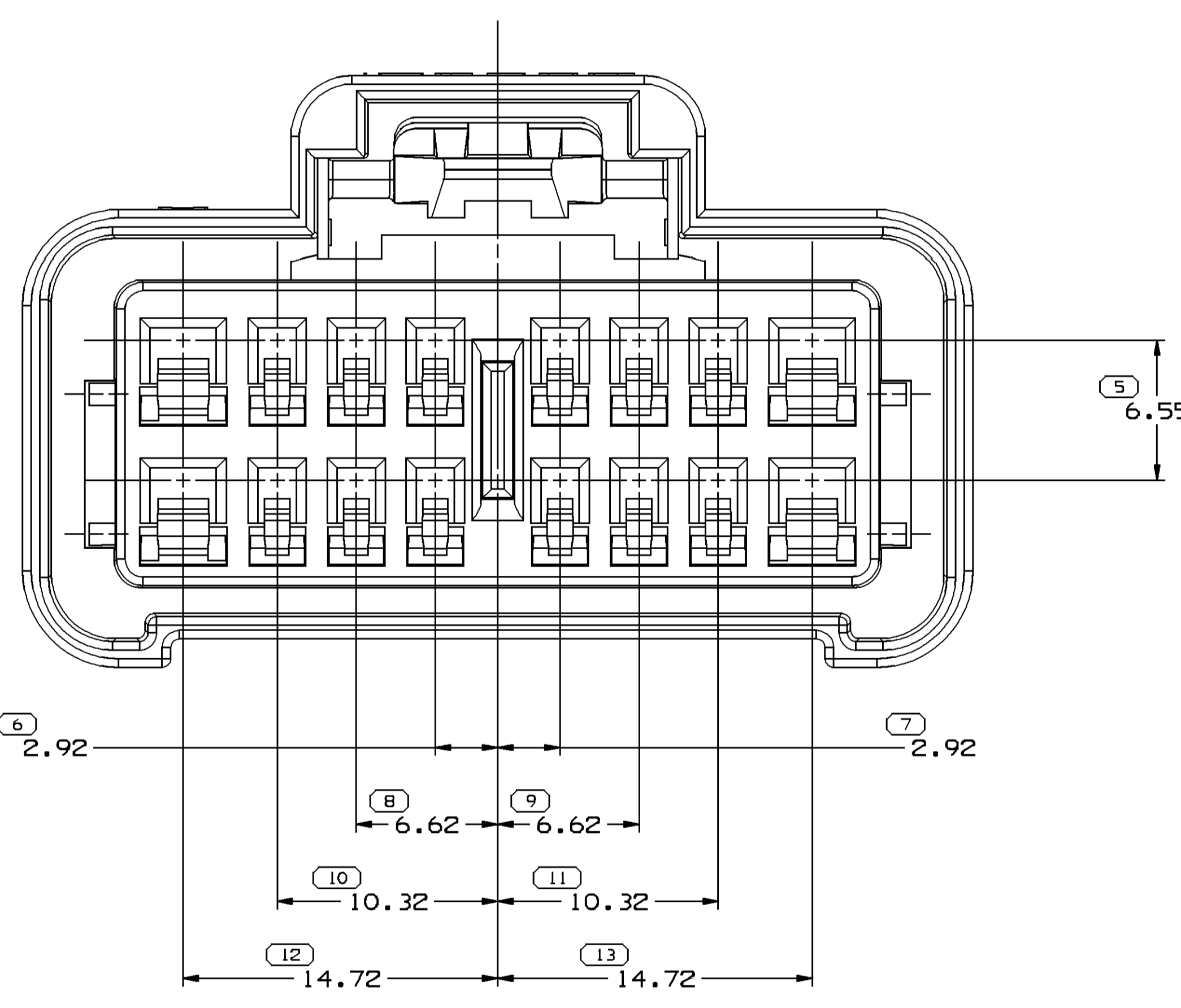
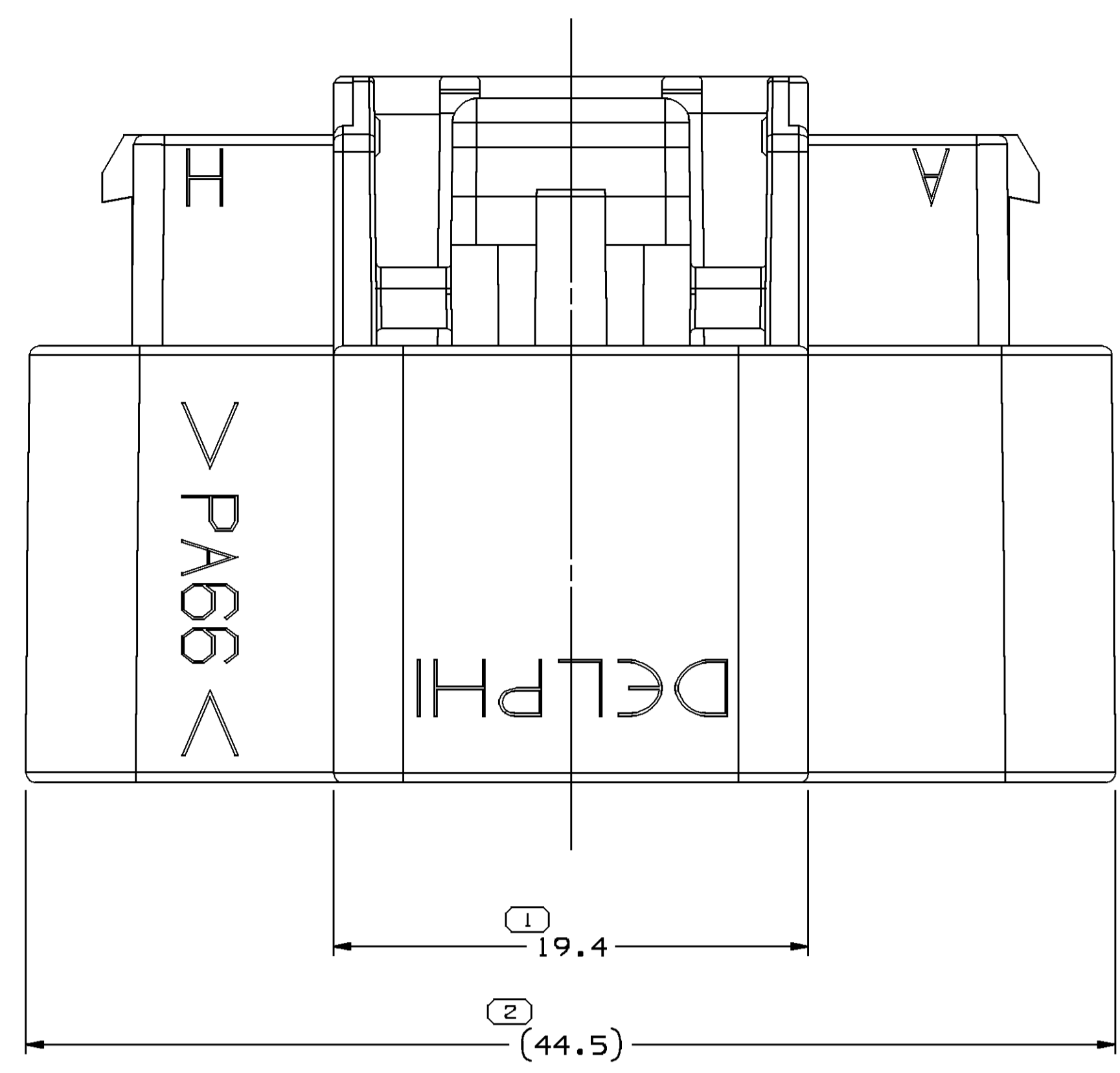
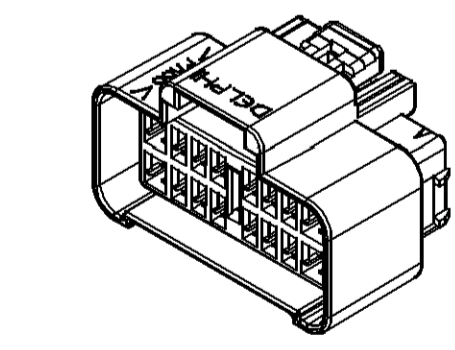


SYMBOL DEFINITION				MISSING NUMBERS		DWG STATUS				REVISION HISTORY		AUTH		DR		APVD					
DATE	STG	REV	N/P	CHG	ZONE	DATE	STG	REV	N/P	CHG	DESCRIPTION	DATE	STG	REV	N/P	CHG	DATE	STG	REV	N/P	CHG
09JUL02	R	CS	-	-		09JUL02	R	CS	-	-	CLEARED REVISION COLUMN: M3592001 MAT'L SPEC WAS R0071754	227384	TLD	TLD	AK						
27FEB04	R	04	-	-		27FEB04	R	04	-	-	REVISED GRAPHICS	252413	JPB	JAA	AD						
26MRO7	R	04	AA	-		26MRO7	R	04	AA	-	UPDATED PDM ATTRIBUTES	400924	RM6	FRG	661						



- NOTES
- UNLESS OTHERWISE SPECIFIED AND/OR INDICATED:
DIMENSIONS ARE TO FACE OF VIEW SHOWN AND AUTOMATICALLY ROUNDED BY COMPUTER FOR INSPECTION (SEE MATH MODEL FOR PRECISE DIMENSIONS). FOR ALL OTHER DIMENSIONS NOT SHOWN BUT REQUIRED FOR TOOL BUILD, SEE MATH MODEL FOR PRECISE TOOL PATH DATA.
 - MATERIAL RECYCLING CODE PER ISO 11469. (2,3)X(0.1) RAISED CHARACTERS AS SHOWN TO BE LOCATED ON ANY EXTERIOR SURFACE. OPTIONAL CONSTRUCTION TO BE NO MATERIAL RECYCLING CODE.
 - REFERENCE MATING COMPONENTS OR EQUIVALENT:
CONNECTOR - 15305132
 - THIS PART ACCEPTS THE FOLLOWING COMPONENTS OR EQUIVALENT:
CAVITIES (150 GT) B,C,D,E,F,G,K,L,M,N,P & R TO ACCEPT 12191811 TERMINAL OR EQUIVALENT.
MAX INSULATION CRIMP MUST BE LESS THAN 3.65 HIGH AND 2.85 WIDE.
CAVITIES (280 GT) A,H,J & S TO ACCEPT 15304711 TERMINAL OR EQUIVALENT.
MAX INSULATION CRIMP MUST BE LESS THAN 4.31 HIGH AND 4.25 WIDE.
SECONDARY TERMINAL LOCK - 15305134
CONNECTOR POSITION ASSURANCE LOCK - 12191398
 - (2,3)X(0.1) RAISED DELPHI CORPORATE BRAND TO BE LOCATED ON ANY EXTERIOR SURFACE, PREFERABLY VISIBLE AT FINAL ASSEMBLY. OPTIONAL CONSTRUCTION TO BE "PED" OR NO LOGO.



DIMENSIONAL RANGE (MM)		SHORT ET	
FROM	TO	FROM	TO
> 0	> 30	> 70	> 100
> 30	> 70	> 100	> 150
> 70	> 100	> 150	> 200
> 100	> 150	> 200	> 250
> 150	> 200	> 250	> 300
> 200	> 250	> 300	> 400
TOLERANCE UNLESS OTHERWISE SPECIFIED		ANGULAR TOLERANCE 2°	
±0.15	±0.2	±0.3	±0.4
±0.5	±0.6	±0.8	±1
±1	±1.2		

PART DRAWING	
STYLE	
VOLUME (QTY)	DISTR CODE
10,003	D
UNLESS OTHERWISE SPECIFIED	
THIS DOCUMENT IS IN ACCORDANCE WITH ASME Y14.5M-1994 AS MODIFIED BY THE IN CHARGE, DIMENSIONING AND TOLERANCING MANUAL (1997). ALL DIMENSIONS UNLESS OTHERWISE SPECIFIED SHALL BE PERMITTED FROM ANY AND ALL DIMENSIONS UNLESS OTHERWISE SPECIFIED. DIMENSIONS NOT SHOWN BUT REQUIRED FOR TOOL BUILD SHALL BE OBTAINED FROM THE TOOL BUILD DATA. DIMENSIONS NOT SHOWN BUT REQUIRED FOR TOOL BUILD SHALL BE OBTAINED FROM THE TOOL BUILD DATA.	
ALL DIMENSIONS ARE IN MILLIMETERS	
THIRD ANGLE PROJECTION	DO NOT SCALE
USE MATH DATA	UNIMAPICS

DELPHI
DELPHI PACKARD ELECTRICAL/ELECTRONIC ARCHITECTURE
INVENT, OH

DR	DATE
APVD1 J. BARQUIN	24MY96
APVD2 MANUEL VEGA	24MY96
APVD3 RUSSELL KEEN	07JN96
APVD4	
APVD5	

THIS DOCUMENT IS IN ACCORDANCE WITH ASME Y14.5M-1994 AS MODIFIED BY THE IN CHARGE, DIMENSIONING AND TOLERANCING MANUAL (1997). ALL DIMENSIONS UNLESS OTHERWISE SPECIFIED SHALL BE PERMITTED FROM ANY AND ALL DIMENSIONS UNLESS OTHERWISE SPECIFIED. DIMENSIONS NOT SHOWN BUT REQUIRED FOR TOOL BUILD SHALL BE OBTAINED FROM THE TOOL BUILD DATA. DIMENSIONS NOT SHOWN BUT REQUIRED FOR TOOL BUILD SHALL BE OBTAINED FROM THE TOOL BUILD DATA.

ALL DIMENSIONS ARE IN MILLIMETERS

DRAWING NAME: CONN 16 F 0T 150 280

DRAWING NUMBER: 15305133

SIZE	SCALE	FRAME NO	SHEET NO	STG	REV	N/P	CHG
A0	5:1	1	1	1	1	R	04 AA

DATE: 05/05/03 09:00:00 AM Date: 02-May-07 Time: 17:07

X-ON Electronics

Largest Supplier of Electrical and Electronic Components

Click to view similar products for [Automotive Connectors](#) category:

Click to view products by [APTIV](#) manufacturer:

Other Similar products are found below :

[003-018-000](#) [60403001](#) [60993906-B](#) [629515004020001](#) [M902-2131](#) [M902-2161](#) [72.330.1035.1](#) [73.353.4028.0](#) [F119300-B](#) [F166900](#)
[F258300-B](#) [F358300-B](#) [F407400](#) [F444110](#) [F487000](#) [F509500B-B](#) [827153-1](#) [8N1515-32-24P](#) [9-1326729-8](#) [925474-1](#) [928905-1](#) [964562-4](#)
[968782-1](#) [GT17SA-8DS-HU](#) [98891-1012](#) [98947-1016](#) [12004475-L](#) [12010290](#) [12010309-B](#) [12015454](#) [12020219-B](#) [12020308](#) [12041318-B](#)
[12052225-L](#) [12052466](#) [12059125](#) [12064869](#) [12004327-B](#) [12010503-B](#) [12015308](#) [12015384](#) [12015909](#) [1-21030-1](#) [12041254](#) [12041318](#)
[12047946-B](#) [12047957](#) [12047957-L](#) [12059473](#) [12066261](#)