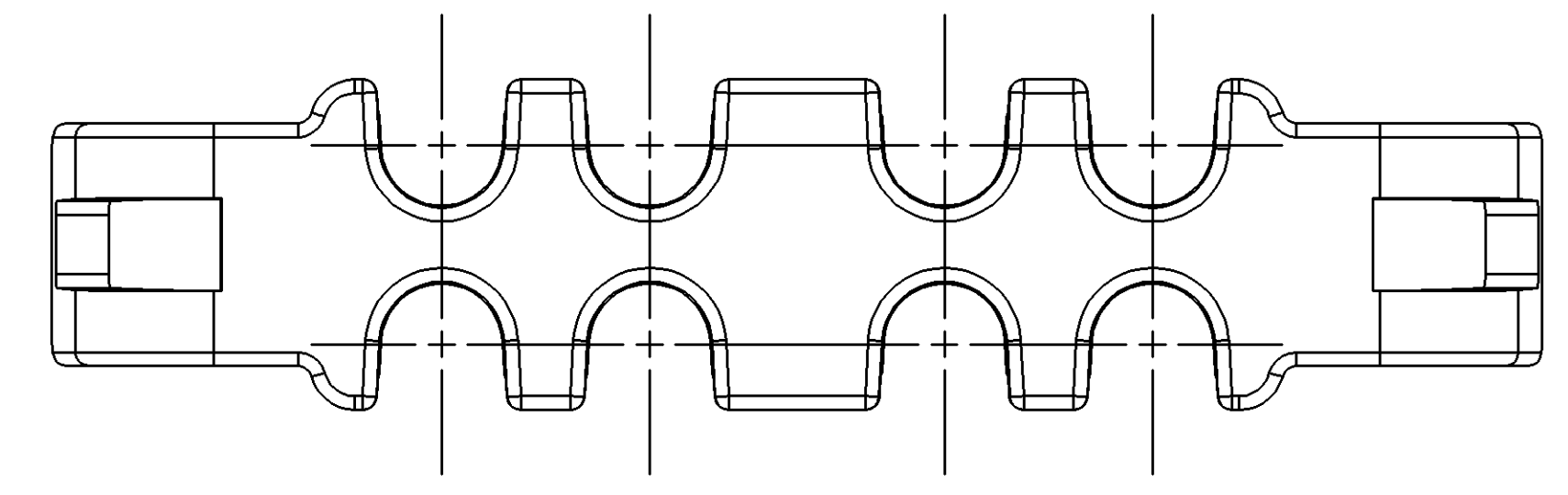
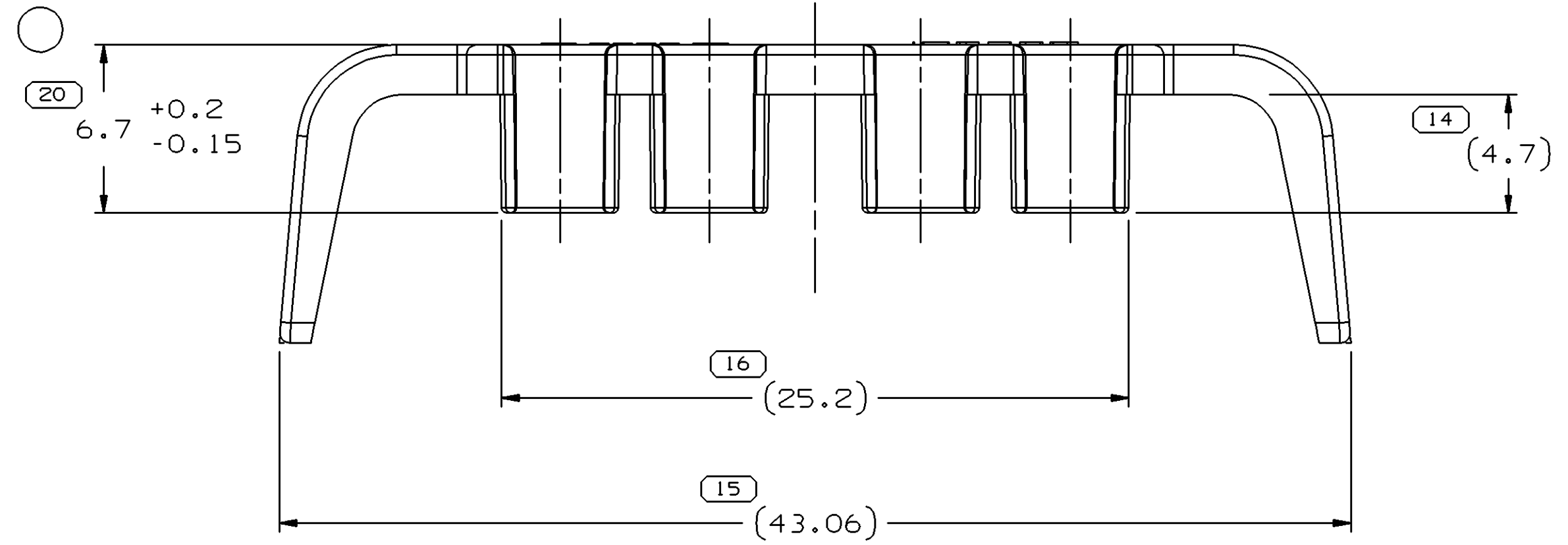
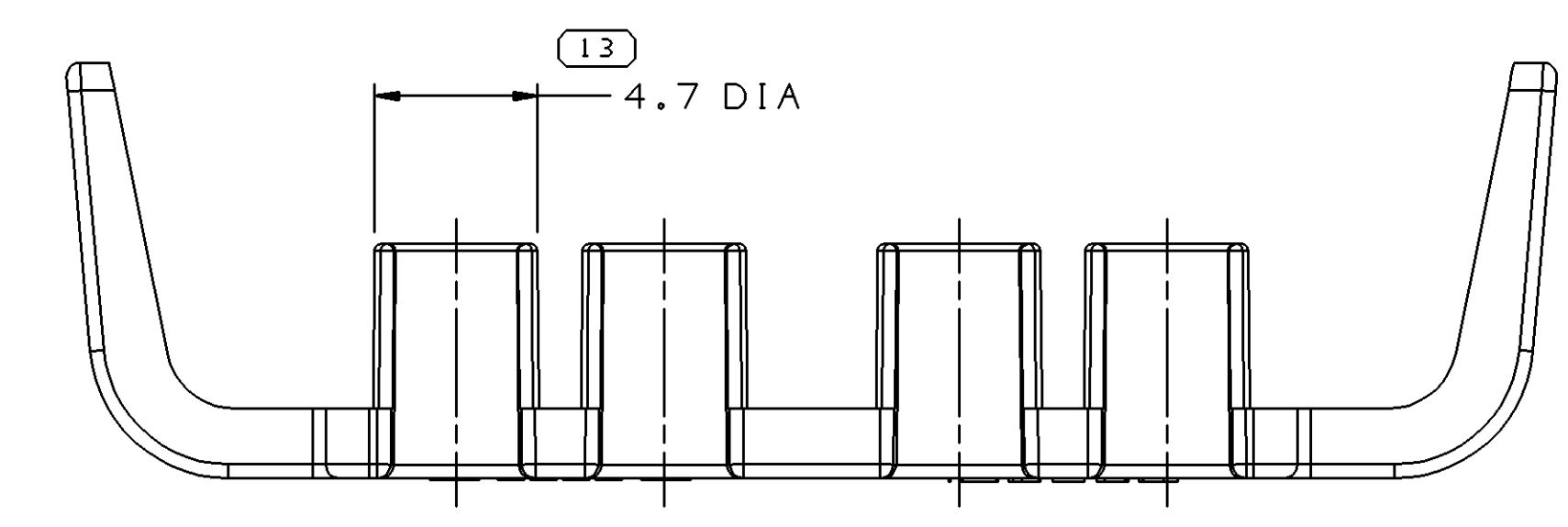
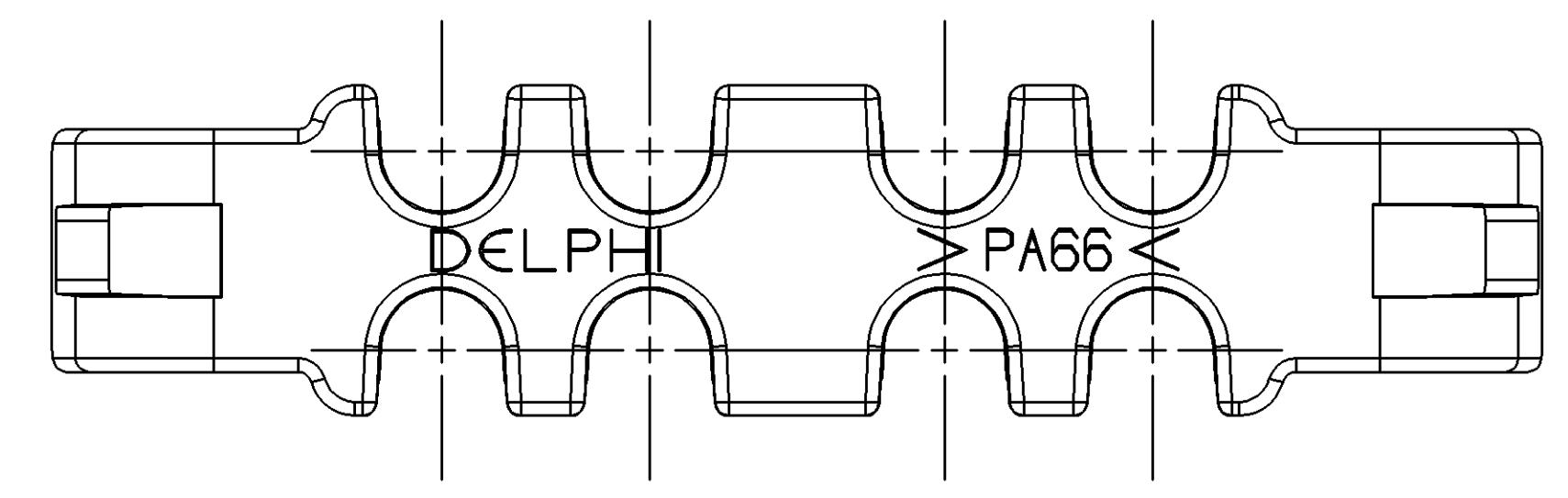
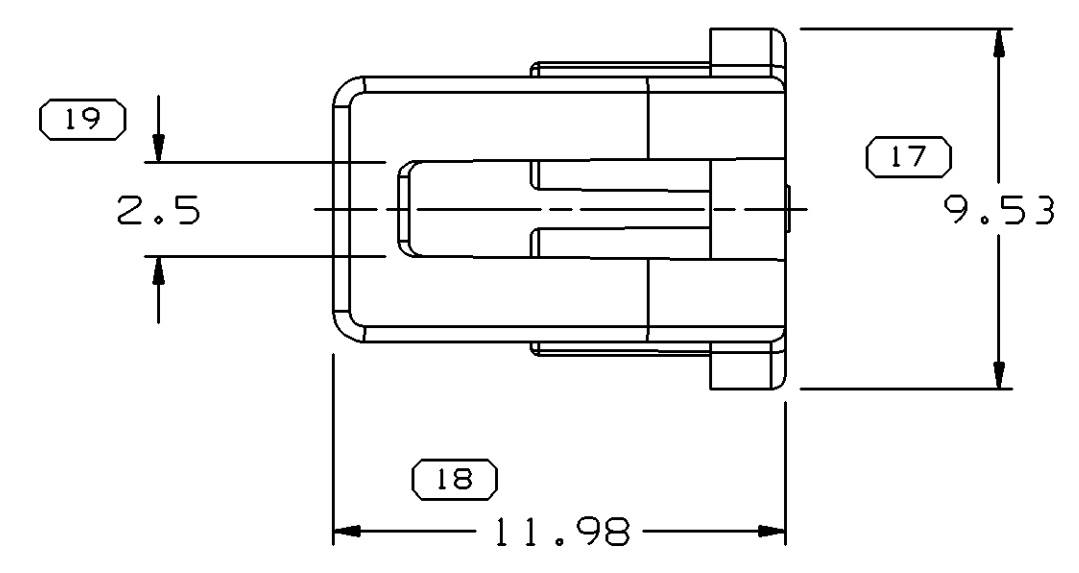
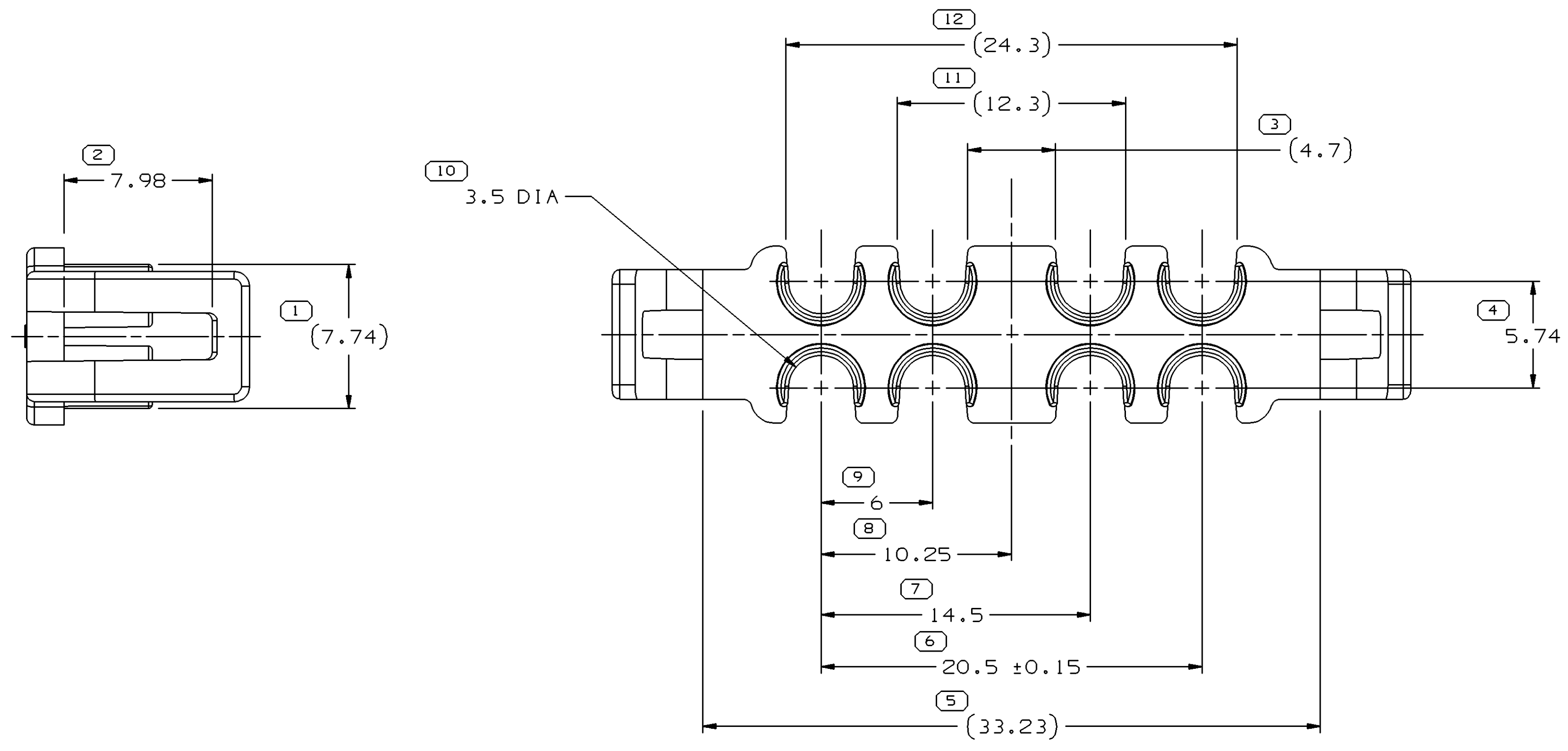


SYMBOL DEFINITION		MISSING SYMBOLS	
A DIMENSION WITHOUT AN INSPECTION REPORT SYMBOL DOES NOT REQUIRE INSPECTION. IT MAY BE CONTROLLED ON THE INDIVIDUAL COMPONENT DRAWING.	TOTAL NO OF INSPECTIONS REQUIRED	NO MISSING SYMBOL NUMBER	
	20		
	LAST NO. USED		
	20		

DWO STATUS					REVISION HISTORY			AUTH	DR	APVD	APVD	
DATE	STG	REV	N/P	CHG	ZONE							
14SE01	R	C2	-	-		CLEARED REV COL, REVISED MATING COMPONENTS			213549	JMR	JMR	AJH
17MR04	R	C3	-	-		ADDED 6.7 DIM, ADDED PROCESS SENSITIVE DIM, UPDATED FORMAT, UPDATED MATERIAL SPEC & UPDATED PDM ATTRIBUTES			252989	EES	EES	MC
04AU04	R	C4	-	-		6.7+0.2-0.15 WAS 6.7			257507	TLD	TLD	MC

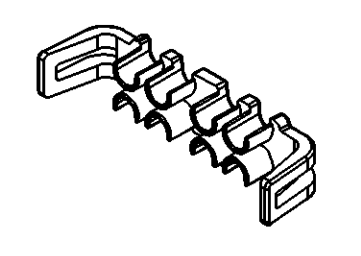


OPTIONAL CONSTRUCTION



NOTES:

- UNLESS OTHERWISE SPECIFIED AND/OR INDICATED: DIMENSIONS ARE TO FACE OF VIEW SHOWN AND AUTOMATICALLY ROUNDED BY COMPUTER FOR INSPECTION. (SEE MATH MODEL FOR PRECISE DIMENSION) FOR ALL OTHER DIMENSIONS NOT SHOWN BUT REQUIRED FOR TOOL BUILD, SEE MATH MODEL FOR PRECISE TOOL PATH DATA.
- MATING COMPONENTS:
 CONN 8F GT 280 15317309 OR EQUIVALENT
 CONN 7F GT 280 15317308 OR EQUIVALENT
 CONN 7F GT 280 15317307 OR EQUIVALENT
 CONN 4F GT 280 15317306 OR EQUIVALENT
 CONN 8F GT 280 15317305 OR EQUIVALENT
 CONN 7F GT 280 15317304 OR EQUIVALENT
- DIMENSIONS MARKED "REF" ARE FOR REFERENCE ONLY AND NO TOLERANCE LIMITS ARE ESTABLISHED.



DIMENSIONAL RANGE (MM)	CHART	ET
FROM > 0	> 20	> 30
TO 20	30	70
	70	100
	100	150
	150	200
	200	250
	250	300
	300	400
TOLERANCE UNLESS OTHERWISE SPECIFIED		
±0.15	±0.2	±0.3
±0.4	±0.5	±0.6
±1	±1.2	±1.5
ANGULAR TOLERANCE ±2°		

DWO TYPE		PART DRAWING	
VOLUME (COP)	0,812	DISTR CODE	D
UNLESS OTHERWISE SPECIFIED			
THIS DOCUMENT IS IN ACCORDANCE WITH ASME Y14.5M-1994 AS MODIFIED BY THE DIMENSIONAL DIMENSIONS AND TOLERANCING ADDENDUM-2003. SEPARATE PATTERNING FEATURES MAY BE OMMITTED SEPARATELY REGARDLESS OF DATUM REFERENCES.			
ALL DIMENSIONS ARE IN MILLIMETERS			
REFERENCE			

DELPHI
 DELPHI PACKARD ELECTRIC SYSTEMS
 WARREN, OH

DR	DATE
APVD1 JUAN M. CANO	07MR97
APVD2 A UGALDE G	17MR97
APVD3 G. ORANTES	19MR97
APVD4	
APVD5	

SUBSTANCES OF CONCERN AND RECYCLED CONTENT PER DELPHI 10949001

MATERIAL: M3592012 PA66 HS 1M-GRA LT

DRAWING NAME: LOCK TPA GT 280 B GRA LT

DRAWING NUMBER: 15317301

SIZE: A0 SCALE: 5:1 FRAME NO: 1 OF 1 SHEET NO: 1 OF 1 STG REV: R C4

X-ON Electronics

Largest Supplier of Electrical and Electronic Components

Click to view similar products for [Automotive Connectors](#) category:

Click to view products by [APTIV](#) manufacturer:

Other Similar products are found below :

[003-018-000](#) [60403001](#) [60993906-B](#) [629515004020001](#) [M902-2131](#) [M902-2161](#) [72.330.1035.1](#) [73.353.4028.0](#) [F119300-B](#) [F166900](#)
[F258300-B](#) [F358300-B](#) [F407400](#) [F444110](#) [F487000](#) [F509500B-B](#) [827153-1](#) [8N1515-32-24P](#) [9-1326729-8](#) [925474-1](#) [928905-1](#) [964562-4](#)
[968782-1](#) [GT17SA-8DS-HU](#) [98891-1012](#) [98947-1016](#) [12004475-L](#) [12010290](#) [12010309-B](#) [12015454](#) [12020219-B](#) [12020308](#) [12041318-B](#)
[12052225-L](#) [12052466](#) [12059125](#) [12064869](#) [12004327-B](#) [12010503-B](#) [12015308](#) [12015384](#) [12015909](#) [1-21030-1](#) [12041254](#) [12041318](#)
[12047946-B](#) [12047957](#) [12047957-L](#) [12059473](#) [12066261](#)