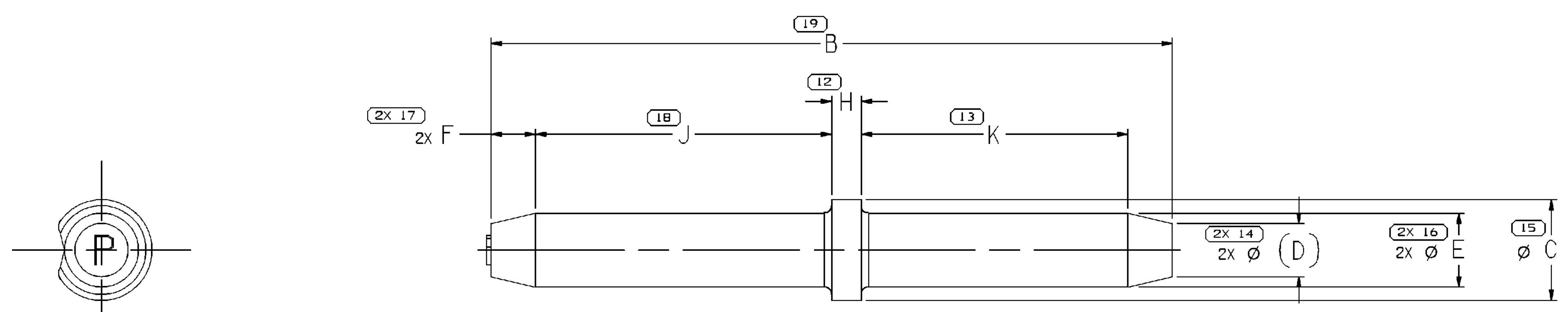
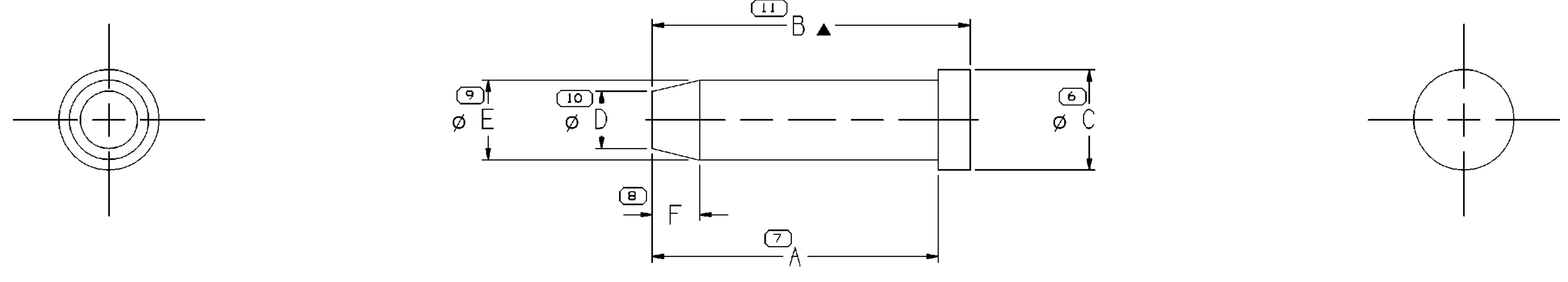
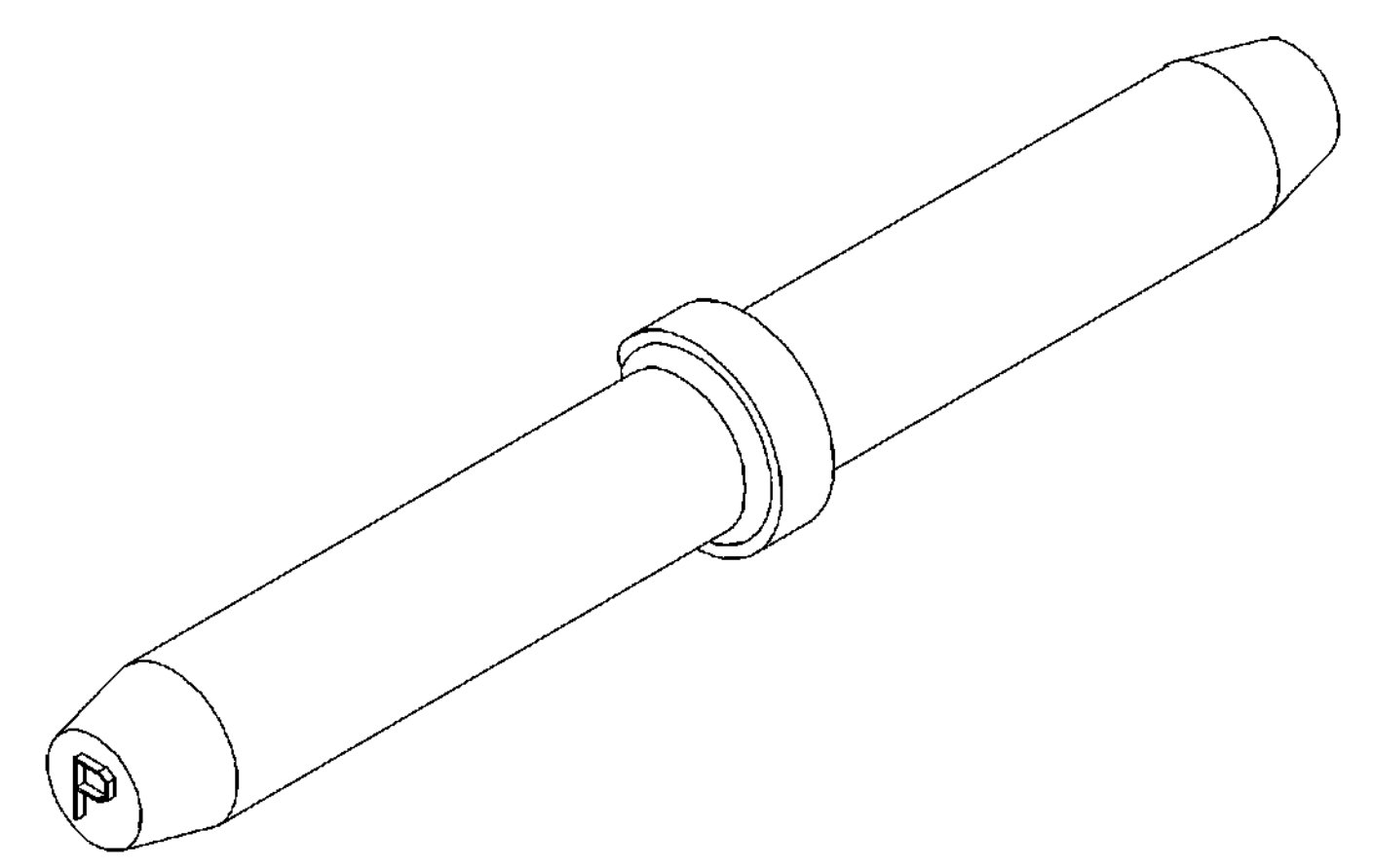


SYMBOL DEFINITION		MISSING SYMBOLS	
A DIMENSION WITHOUT AN INSPECTION REPORT SYMBOL DOES NOT REQUIRE INSPECTION. IT MAY BE CONTROLLED ON THE INDIVIDUAL COMPONENT DRAWING.	TOTAL NO OF INSPECTIONS REQUIRED	NO MISSING SYMBOL NUMBER	
	LAST NO. USED		
		22	19

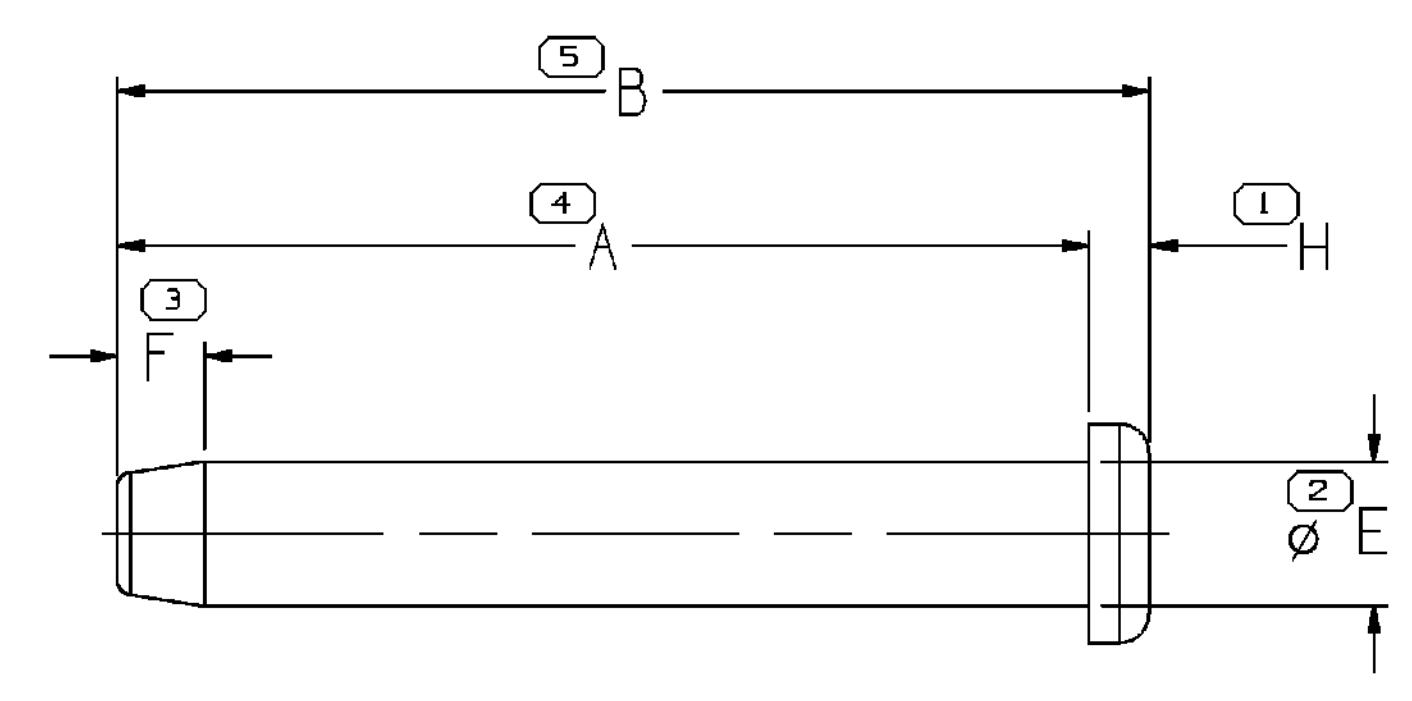
DWO STATUS		ZONE		REVISION HISTORY		AUTH		DR		APVD	
DATE	STG	REV	N/P	CHG							
20AUG03	R	01	-	-	CREATED PD	244667	JGR	JGR	BO		
15FEB05	R	02	-	-	ALL ACTIVE PARTS - ADDED NOTE #3 & DRAWING NAME	264188	NJM	NJM	ET		
20JUN05	R	03	-	-	ALL ACTIVE PARTS - UPDATED ECL	269035	RTV	JVM	BDS		
26AUG05	R	04	-	-	12129557 - ADDED OPTIONAL CONSTRUCTION & 15318164 - WAS SEPARATE DWG	271214	JTZ	FRG	MB		
30SEP05	R	05	-	-	13544665 - RELEASED	273166	JS	JS	MR		
27FEB06	R	06	-	-	12065266 - CORRECTED DIM A LOCATION ON TYPE 102	277922	HCB	FRG	MR		
08MAY07	R	07	-	-	ALL ACTIVE PARTS - UPDATED PDM ATTRIBUTES	401296	MM	MM	SS		
16JUL08	R	08	-	-	12065266 & 15318164 - UPDATED MAT'L CALLOUT	405414	AEC	JCC	AEC		
13AUG08	R	09	-	-	13726494 - RELEASED	405712	JS	JS	OB		
11JAN18	R	10	-	-	15318164 - UPDATED PDM ATTRIBUTES	438638	BOH	JVM	CFH		



TYPE 101  
ALL METRI-PACK PULL TO SEAT  
-HAND INSERTION ONLY-



TYPE 102  
ALL METRI-PACK PULL TO SEAT  
-MACHINE INSERTION ONLY-



TYPE 103  
ALL MICRO-PACK 100W  
-HAND INSERTION ONLY-

OPTIONAL CONSTRUCTION

- NOTES
- UNLESS OTHERWISE SPECIFIED AND/OR INDICATED: DIMENSIONS ARE TO FACE OF VIEW SHOWN AND AUTOMATICALLY ROUNDED BY COMPUTER FOR INSPECTION (SEE MATH MODEL FOR PRECISE DIMENSIONS). FOR ALL OTHER DIMENSIONS NOT SHOWN BUT REQUIRED FOR TOOL BUILD, SEE MATH MODEL FOR PRECISE TOOL PATH DATA.
  - THIS PART IS CONTROLLED FOR AUTOMATIC FEEDING AS DENOTED ON DRAWING WITH ▲.
  - REFERENCE MATING COMPONENTS OR EQUIVALENT: SEAL, SEE CHART.

PART NO	REV	N/P	MATERIAL SPECIFICATION AND COLOR	TYPE	A	B	∅ C	∅ (D)	∅ E ± 0.1	F	G <sub>MAX</sub>	H	J	K	MATING SEAL	CABLE RANGE	VOLUME
13726494	01	-	POLYAMIDE COMPOUND - YELLOW	103	12.85	13.65	2.9+/-0.1	-	1.9+/-0.15	1.15	9	0.8	-	-	12146093	1.47/2.12	0.040
13544665	01	AA	POLYBUTYLENE TEREPHTHALATE-BLU LT	103	12.85	13.65	2.9+/-0.1	-	1.9+/-0.15	1.15	9	0.8	-	-	12146093	1.47/2.12	0.040
15318164	A3	-	POLYAMIDE COMPOUND - BLUE	103	12.85	13.65	2.5+0.0/-0.1	-	1.9+/-0.1	1.15	9	0.8	-	-	15355191	1.47/1.83	-
12129557	DB	-	POLYAMIDE COMPOUND - BLUE	103	12.85	13.65	2.9+/-0.1	-	1.9+/-0.15	1.15	9	0.8	-	-	12146093	1.47/2.12	0.040
12149232	A	-	POLYAMIDE COMPOUND - RED	102	9	10	3.15▲	2.2	2.9	1.5+0.2/-0.15	1.5	-	-	-	12034364	2.5/3.3	-
12065266	C11	-	POLYAMIDE COMPOUND - GRAY MD	102	9	10	3.15▲	1.8	2.5	1.5+/-0.3	1.5	-	-	-	12064810	2/2.4	0.050
12034413	C10	-	POLYAMIDE COMPOUND - BLACK	101	-	23+/-0.3	3.4+/-0.2	1.8	2.5	1.5+/-0.3	1.25	1	10	9	12064810	2/4	0.113

DIMENSIONAL RANGE (MM)	CHART SET
FROM > 0	> 20
TO > 20	> 30
> 30	> 70
> 70	> 100
> 100	> 150
> 150	> 200
> 200	> 250
> 250	> 300
> 300	> 400

UNLESS OTHERWISE SPECIFIED

ALL DIMENSIONS ARE IN MILLIMETERS

THIRD ANGLE PROJECTION

DO NOT SCALE

USE MATH DATA

NGX

**DELPHI**  
DELPHI PACKARD ELECTRICAL/ELECTRONIC ARCHITECTURE

WARREN, OH  
COPYRIGHT 2003 DELPHI CORPORATION AND/OR ITS AFFILIATES. ALL RIGHTS RESERVED.

THIS DRAWING IS THE PROPERTY OF DELPHI CORPORATION AND CONTAINS DELPHI CONFIDENTIAL INFORMATION. THE REPRODUCTION, DISTRIBUTION AND UTILIZATION OF THIS DOCUMENT OR ITS RELATED DATA, AS WELL AS COMMUNICATION OF ANY CONTENT TO OTHERS, WITHOUT EXPRESS AUTHORIZATION, IS PROHIBITED.

DATE

OR

APVD1 J.GAYALDON	20AUG03
APVD2 J.GAYALDON	20AUG03
APVD3 G.ORANTES	22AUG03
APVD4	

SUBSTANCES OF CONCERN AND RECYCLED CONTENT, PER DELPHI 19245901

MATERIAL

SEE CHART

DRAWING NAME  
TAXI SEAL CBL 1W HOLE PLUG

DRAWING NUMBER  
**12110800**

SIZE A0 SCALE 10:1 FRAME NO 1 OF 1 SHEET NO 1 OF 1 STG REV N/P R 10 -

## X-ON Electronics

Largest Supplier of Electrical and Electronic Components

*Click to view similar products for [Automotive Connectors](#) category:*

*Click to view products by [APTIV](#) manufacturer:*

Other Similar products are found below :

[003-018-000](#) [60993906-B](#) [72.330.1035.1](#) [F358300-B](#) [F407400](#) [776880-1](#) [827153-1](#) [8N1515-32-24P](#) [9-1326729-8](#) [925474-1](#) [928905-1](#)  
[964562-4](#) [968782-1](#) [98891-1012](#) [12004475-L](#) [12041318-B](#) [12052466](#) [12015909](#) [1-21030-1](#) [12041318](#) [12047957](#) [12185550](#) [12336-12](#)  
[12147304](#) [1-326211-1](#) [13681974](#) [13783086](#) [13832576](#) [13542772](#) [13675513](#) [13964573](#) [1428188-1](#) [1437287-3](#) [1428188-2](#) [DS07-19S-5020](#)  
[1456983-5](#) [1456987-7](#) [APD-7CP-H](#) [APK-SB25A10L](#) [1452931-2](#) [15491972](#) [15305306](#) [15396680](#) [15425613](#) [15518544](#) [15522351](#) [1719636-](#)  
[1](#) [172190-2](#) [172190-5](#) [192900-0402](#)