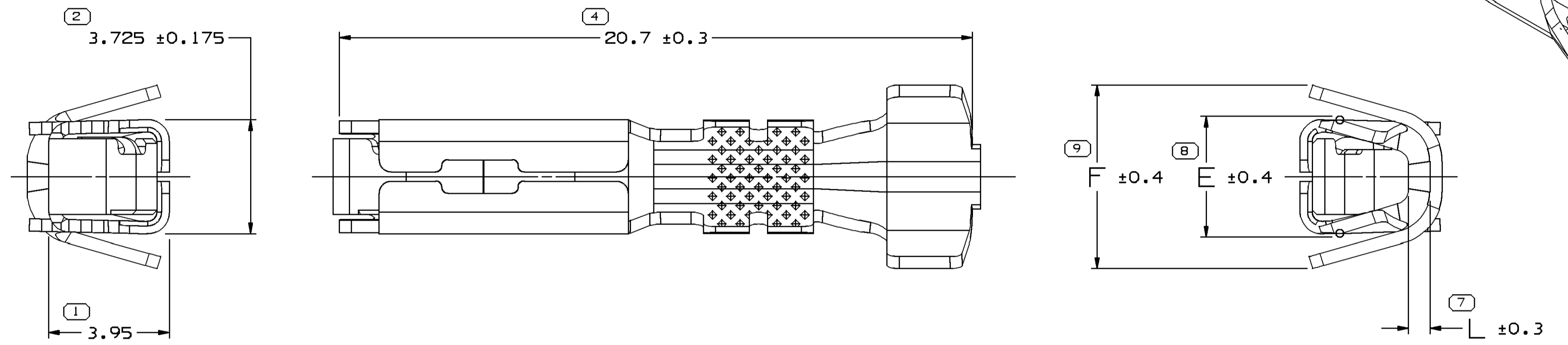
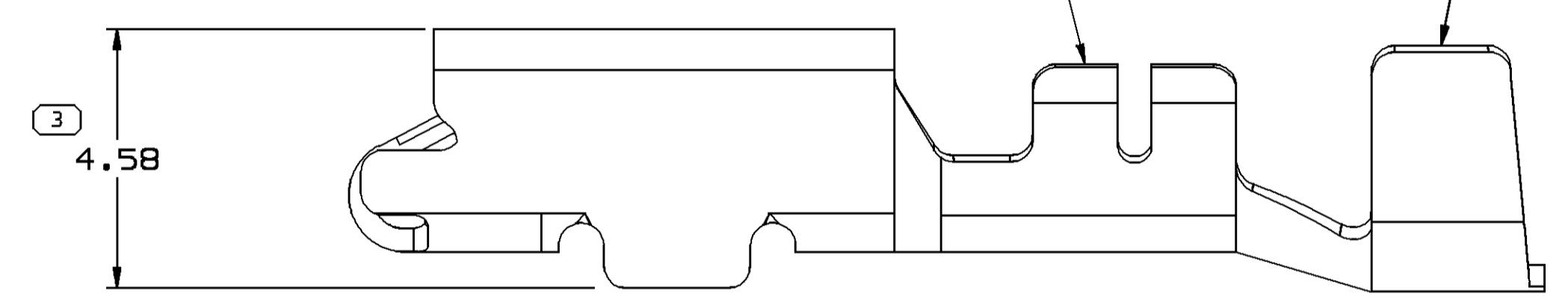


SYMBOL DEFINITION		MISSING SYMBOLS	
A DIMENSION WITHOUT AN INSPECTION REPORT SYMBOL DOES NOT REQUIRE INSPECTION. IT MAY BE CONTROLLED ON THE INDIVIDUAL COMPONENT DRAWING.	TOTAL NO OF INSPECTIONS REQUIRED	7	5-6
	LAST NO. USED	9	

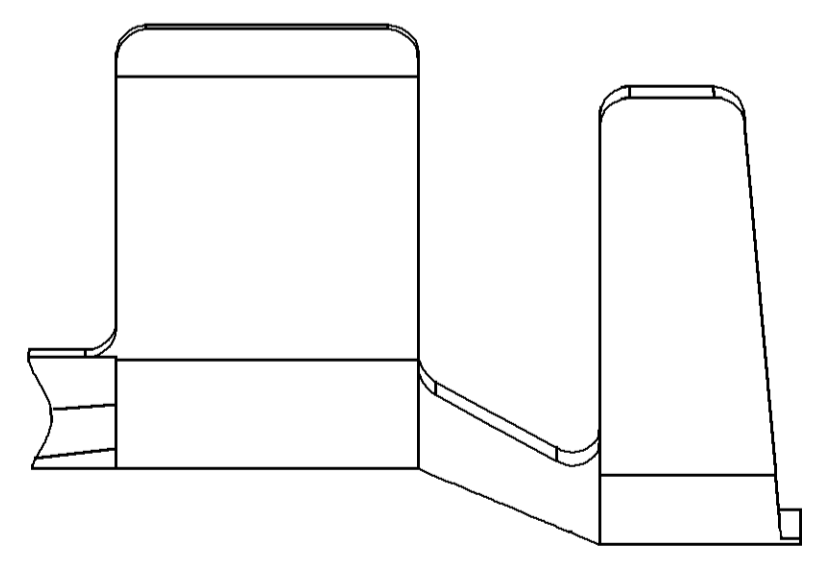
DWG STATUS				REVISION HISTORY				AUTH		DR		APVD	
DATE	STG	REV	N/P	CHG	ZONE								
21JA02	R	01	-	-		CLEARED REVISION COLUMN AND ALL PARTS - REVISED GRAPHICS	213978	AMG	AMG	AMG	AMG	JL	JL
10JN05	R	02	-	-		ADDED PROBING NOTE	269172	AKJ	AKJ	AKJ	AKJ	WTM	WTM
10OC05	R	03	-	-		15324339 & 15324340 - UPDATED PDM ATTRIBUTES	273333	JBD	AUG	AUG	AUG	EJH	EJH
18JA06	R	04	-	-		15324339-41 - UPDATED MAT'L SPEC & REVISED CABLE O.D 13572757, 13572763-64 - RELEASED	276448	JTV	AUG	AUG	AUG	WTM	WTM
02FE06	R	05	-	-		13572764 - CABLE GAGE ID WAS 10, ADDED 3 TO CABLE SIZE & UPDATED PDM ATTRIBUTES; 13572757 & 13572763 - UPDATED PDM ATTRIBUTES	276999	JTV	AUG	AUG	AUG	WTM	WTM
10MR06	R	06	-	-		15324339 & 15324341 - UPDATED PDM ATTRIBUTES	276499	JTV	AUG	AUG	AUG	JS	JS
16MR06	R	07	-	-		ALL PARTS - REMOVED DIM(S) 5 & 6, ADDED DIM(S) 7, 8 & 9 FROM TOD; 13572764 - UPDATED CABLE DIA	278352	CCV	FKV	FKV	FKV	WTM	WTM
01AP09	R	08	-	-		ALL PARTS - UPDATED PDM ATTRIBUTES	407701	JTZ	FKV	FKV	FKV	WTM	WTM
16OC09	R	09	-	-		ALL PARTS - UPDATED PDM ATTRIBUTES; 13791853 - RELEASED AND ADDED VIEW TYPE 102	409229	HCG	AUG	AUG	AUG	WTM	WTM
21DE09	R	10	-	-		13791853 - DIM E WAS 5.8, CABLE SIZE WAS 4 - 6	409673	JAR	JAR	JAR	JAR	WTM	WTM
11MY10	R	11	-	-		13572764 - CABLE DIA WAS 3-5.33; 13791853 - CABLE DIA WAS 3.49-5.24	410798	JTZ	JTZ	JTZ	JTZ	WTM	WTM
28JUL11	R	12	-	-		13572764 - ADDED CRIMPED ONTO 5 MM² NOTE	414952	JCF	JVM	JVM	JVM	WTM	WTM
18JUL13	R	13	-	-		33106900 - RELEASED	423294	ORA	JVM	JVM	JVM	JSM	JSM
07FE14	R	14	-	-		33106900 - SIZE (MM²) WAS 0.35 - 2	425431	APB	JVM	JVM	JVM	JFS	JFS
19FE15	R	15	-	-		13572757, 13572763-64 & 13791853 - ADDED TARNISH NOTE	428876	JVR	JVM	JVM	JVM	JSM	JSM



CONDUCTOR WINGS FOR (SEE CHART) MM² CABLE
INSULATION WINGS FOR (SEE CHART) MAX INSUL DIA



TYPE 101



TYPE 102
SAME AS TYPE 101
EXCEPT AS SHOWN

NOTES

- UNLESS OTHERWISE SPECIFIED AND/OR INDICATED:
DIMENSIONS ARE TO FACE OF VIEW SHOWN AND AUTOMATICALLY ROUNDED BY COMPUTER FOR INSPECTION (SEE MATH MODEL FOR PRECISE DIMENSIONS). FOR ALL OTHER DIMENSIONS NOT SHOWN BUT REQUIRED FOR TOOL BUILD, SEE MATH MODEL FOR PRECISE TOOL PATH DATA.
- RECOMENDED MATING BLADE - WITH 2.8 ± 0.08 THICKNESS 0.825 ± 0.035
- DO NOT PROBE, TEST OR OTHERWISE CONTACT THE INTERIOR REGION (THE SPRING OR ANY MOVING PART) OF THIS TERMINAL. SEVERE DAMAGE CAN OCCUR, COMPROMISING THE PERFORMANCE OF THE ELECTRICAL INTERFACE.
- TERMINAL 13572764 WHEN CRIMPED ONTO 5MM² 105 STRAND CONDUCTOR, CONDUCTOR WINGS MUST BE SOLDERED.
- FOR TERMINALS PACKAGED & STORED IN THE APPROVED MANNER, TARNISH ON SILVER PLATED SURFACES WILL NOT AFFECT THE PERFORMANCE OF THE PART.

INDICATES THAT PHYSICAL PARTS ARE NOT AVAILABLE FOR ORDERING.	
PART NUMBERS THAT DO NOT HAVE A LINE PRESENT INDICATE THAT PHYSICAL PARTS ARE AVAILABLE FOR ORDERING.	
CONTACT DELPHI SALES TO ASSURE AVAILABILITY OF PARTS.	
DWG TYPE: PART DRAWING	
STYLE: [Symbol]	
VOLUME (C/P)	DISTR CODE: D
UNLESS OTHERWISE SPECIFIED THIS DOCUMENT IS IN ACCORDANCE WITH ASME Y14.5M-1994 AS MODIFIED BY THE GM GLOBAL DIMENSIONING AND TOLERANCING ADDENDUM-2001. SEPARATE PATTERNS OF FEATURES MAY BE GAGED SEPARATELY REGARDLESS OF DATUM REFERENCES.	
ALL DIMENSIONS ARE IN MILLIMETERS	
REFERENCE: [Symbol]	
THIRD ANGLE PROJECTION	DO NOT SCALE
[Symbol]	USE MATH DATA

DELPHI
DELPHI CORPORATION
TROY, MI 48098
COPYRIGHT 1998 DELPHI CORPORATION AND/OR ITS AFFILIATES. ALL RIGHTS RESERVED.

THIS DRAWING IS THE PROPERTY OF DELPHI CORPORATION AND CONTAINS DELPHI CONFIDENTIAL INFORMATION. THE REPRODUCTION, DISTRIBUTION AND UTILIZATION OF THIS DOCUMENT OR ITS RELATED CAD MATH DATA, AS WELL AS COMMUNICATION OF ANY CONTENT TO OTHERS, WITHOUT EXPRESS AUTHORIZATION, IS PROHIBITED.

DR	DATE
APVD1 MANUEL VEGA	22JN98
APVD2 MANUEL VEGA	22JN98
APVD3 O. GALLEGOS	27AU98
APVD4	
APVD5	

SUBSTANCES OF CONCERN AND RECYCLED CONTENT PER DELPHI 10949001

MATERIAL: SEE CHART

DRAWING NAME: TAXI TERM F M/P 280

DRAWING NUMBER: 15324365

SIZE	SCALE	FRAME NO	SHEET NO	STG	REV	N/P
A1	10:1	1 OF 1	1 OF 1	R	15	-

33106900	01	AA	0.406 X 32.54	SN PLATED COPPER ALLOY	0.35 - 0.8	-	1.3-2.1	101	3	4.7	0.5
13791853	02	AB	0.406 X 32.54	AG PLATED COPPER ALLOY	4 - 5	10	3.4-5.24	102	5.4	7.6	1
13572763	01	AE	0.406 X 32.54	AG PLATED COPPER ALLOY	3	12	3-3.81	101	4.6	6	0.7
13572764	01	AG	0.406 X 32.54	AG PLATED COPPER ALLOY	3 - 5	11	3-4.09	101	4.6	7.6	1
13572757	01	AE	0.406 X 32.54	AG PLATED COPPER ALLOY	1 - 2	15	2.05-3.43	101	3.7	6	0.7
15324341	02	AF	0.406 X 32.54	SN PLATED COPPER ALLOY	3	12	3-3.81	101	4.6	6	0.7
15324340	02	AF	0.406 X 32.54	SN PLATED COPPER ALLOY	3 - 5	11	3-5.33	101	4.6	7.6	1
15324339	02	AG	0.406 X 32.54	SN PLATED COPPER ALLOY	1 - 2	15	2.05-3.43	101	3.7	6	0.7
PART NO	REV	N/P	MAT'L SIZE	MAT'L SPEC	SIZE (MM²)	ID	DIA	TYPE	E	F	L
			PLATED				CABLE				

PROCESS SENSITIVE DIMENSION	
DIMENSIONS ENCLOSED IN () INDICATE REFERENCE DIMENSIONS AND NO TOLERANCE LIMITS ARE ESTABLISHED	
DIMENSIONAL RANGE (MM)	CHART 'D'
FROM 0 TO 12	> 12
TOLERANCE UNLESS OTHERWISE SPECIFIED	
±0.1	±0.2
ANGULAR TOLERANCE ±2°	

X-ON Electronics

Largest Supplier of Electrical and Electronic Components

Click to view similar products for [Automotive Connectors](#) category:

Click to view products by [APTIV](#) manufacturer:

Other Similar products are found below :

[003-018-000](#) [60403001](#) [60993906-B](#) [629515004020001](#) [M902-2131](#) [M902-2161](#) [72.330.1035.1](#) [73.353.4028.0](#) [F119300-B](#) [F166900](#)
[F258300-B](#) [F358300-B](#) [F407400](#) [F444110](#) [F487000](#) [F509500B-B](#) [827153-1](#) [8N1515-32-24P](#) [9-1326729-8](#) [925474-1](#) [928905-1](#) [964562-4](#)
[968782-1](#) [GT17SA-8DS-HU](#) [98891-1012](#) [98947-1016](#) [12004475-L](#) [12010290](#) [12010309-B](#) [12015454](#) [12020219-B](#) [12020308](#) [12041318-B](#)
[12052225-L](#) [12052466](#) [12059125](#) [12064869](#) [12004327-B](#) [12010503-B](#) [12015308](#) [12015384](#) [12015909](#) [1-21030-1](#) [12041254](#) [12041318](#)
[12047946-B](#) [12047957](#) [12047957-L](#) [12059473](#) [12066261](#)