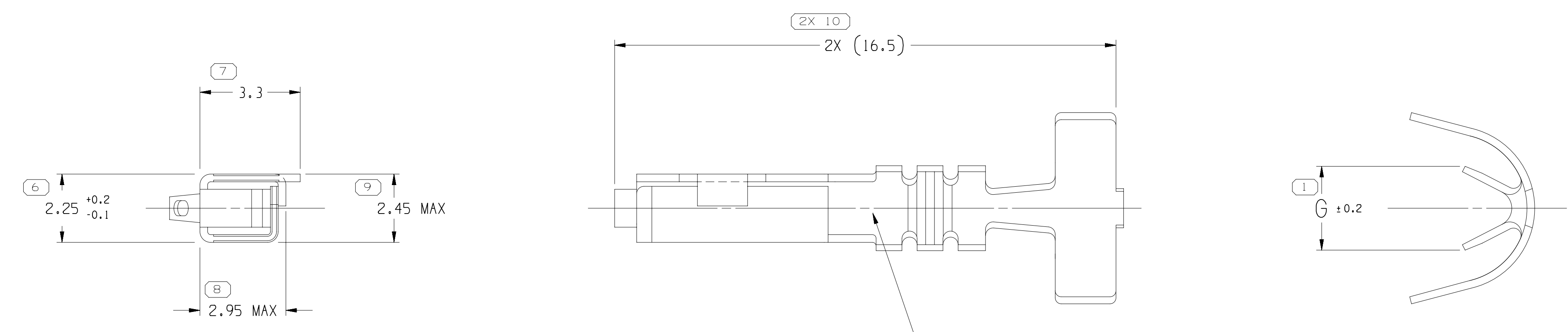
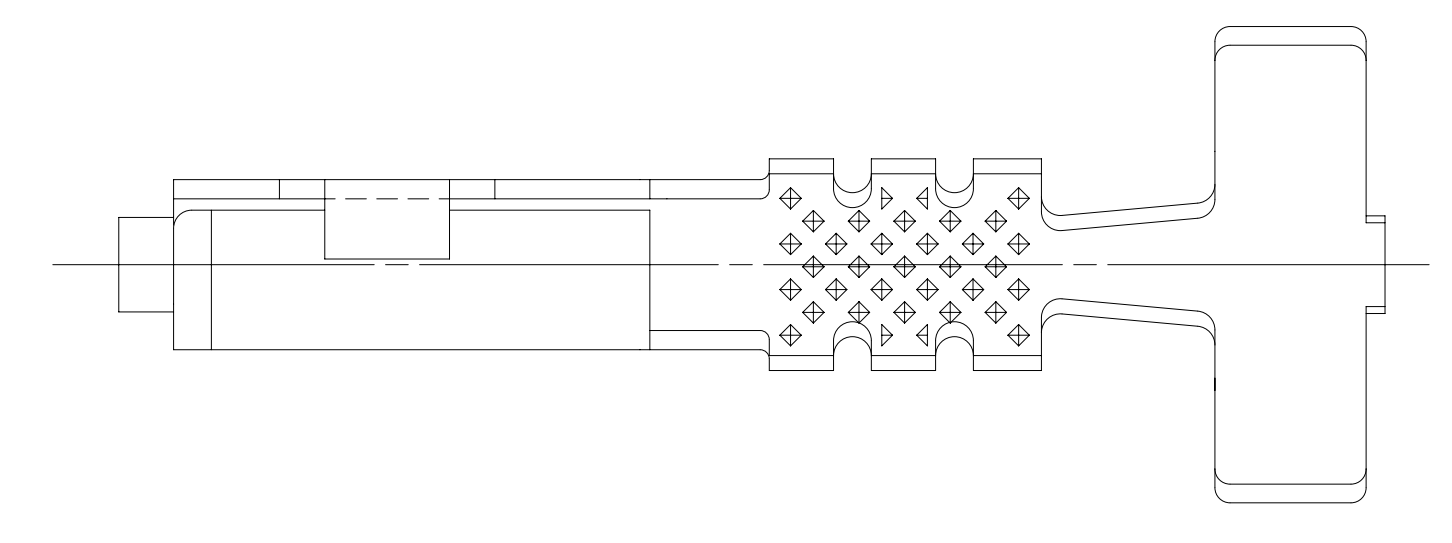


SYMBOL DEFINITION		MISSING SYMBOLS	
A DIMENSION WITHOUT AN INSPECTION REPORT SYMBOL () DOES NOT REQUIRE INSPECTION. IT MAY BE CONTROLLED ON THE INDIVIDUAL COMPONENT DRAWING.	TOTAL NO OF INSPECTIONS REQUIRED	NO MISSING SYMBOL NUMBER	
	12		
	LAST NO. USED		
	10		

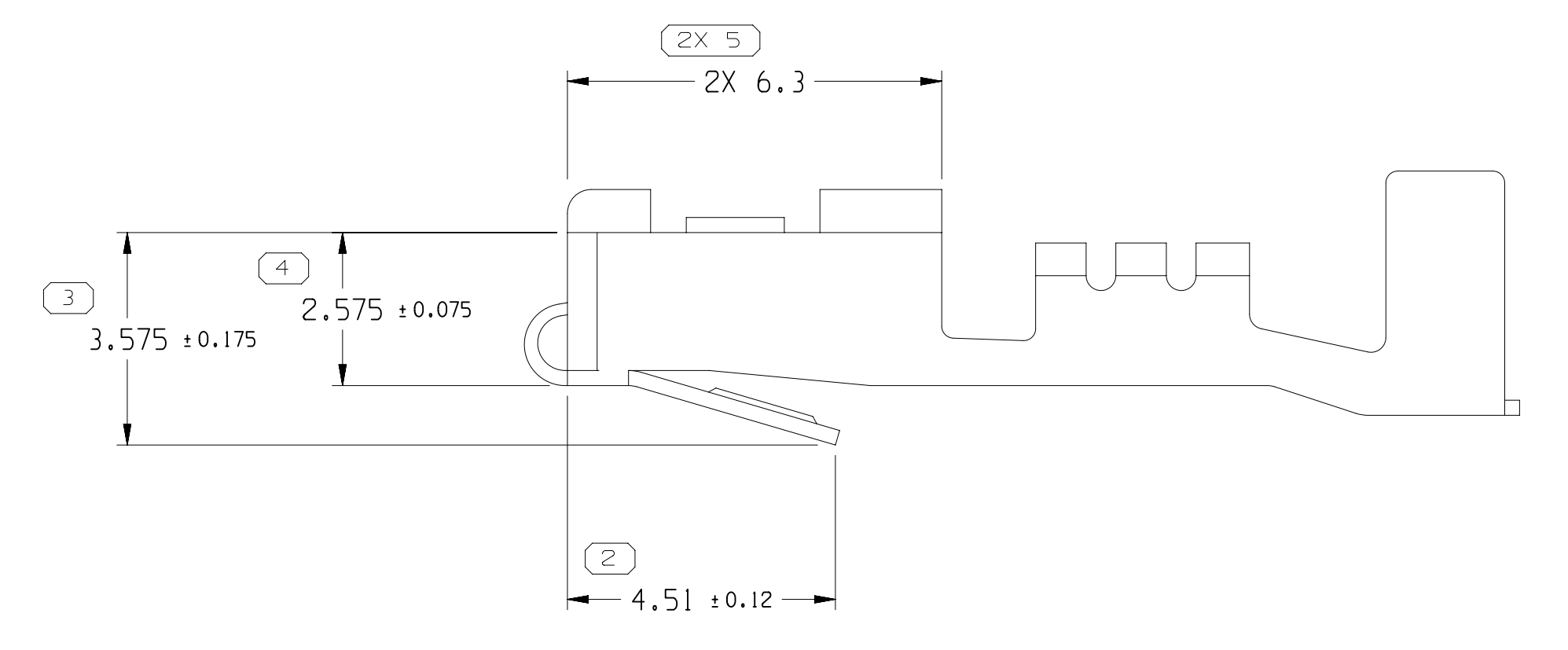
DWG STATUS				REVISION HISTORY				AUTH		DR		APVD	
DATE	STG	REV	N/P	CHG	ZONE								
23MY02	R	10	-	-		ALL PARTS - CLEARED REV COLUMN & REVISED MATERIAL SPECS; 12048074 - UPDATED PDM	222820	HAM	HAM	DLB			
22AU02	R	11	-	-		15366078, 15326396, 15326225, 12160223, 12160222, 12084200 & 12048074 - REVISED MAT'L SIZE AND MAT'L SPEC	211578	ESF	EAR	GMC			
06FE03	R	12	-	-		ALL ACTIVE PARTS - UPDATED PDM ATTRIBUTES	236348	MAC	MAC	JMP			
140C03	R	13	-	-		15366078 - MAT'L SPEC WAS M3620 HCN4	245589	ADK	TLD	BG			
17FE04	-	14	-	-		12048074, 12084200, 12092702, 12160222, 12160223, 15326225, 15326396 & 15366078 - T.O.D. UPDATED	250621	JS	JS	BG			
190C04	R	15	-	-		ALL ACTIVE PARTS - ADDED TERMINAL ID NOTE	260108	RTV	JAA	MKM			
09MR06	R	16	-	-		12084200 & 15326396 - UPDATED PDM ATTRIBUTES	276509	JBD	AUG	JES			
24MY06	R	17	-	-		12092702 - OBSOLETE	280889	GLG	JAA	BGG			
16.N06	R	18	-	-		ALL ACTIVE PARTS - PSD WAS #4	281799	JTZ	JVM	BGG			
27.J.12	R	19	-	-		12160222-23 - UPDATED MATERIAL CALLOUT AND ADDED TYPE 203	418958	AJP	AJP	MAA			
02.JA13	R	20	-	-		12160222-23 - UPDATED PDM ATTRIBUTES	420897	IMF	JAA	MAA			
24.JA13	R	21	-	-		12160222-23 - UPDATED PDM ATTRIBUTES	421210	AGC	JAA	MAA			
19FE15	R	22	-	-		12160222-23 - ADDED TARNISH NOTE	428876	JVR	JVM	JSM			
150C18	R	23	-	-		ALL ACTIVE PARTS - ADDED "SEALED" COLUMN ON CHART	441102	CGD	CGD	LES			
25FE20	R	24	-	-		12160222-23 - UPDATED PDM ATTRIBUTES	551096	J60	JAA	OMS			



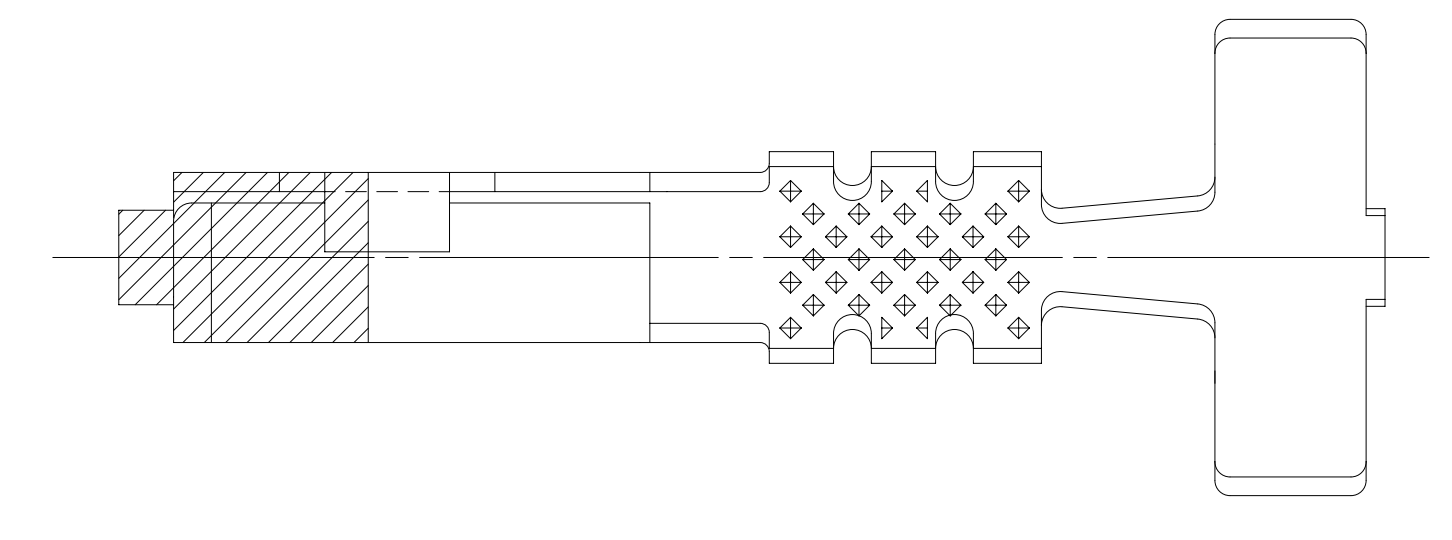
STAMP DIE ID "PXX" IN THIS AREA (0.6) CHARACTERS XX DESIGNATES DIE NUMBER LOCATION IS APPROXIMATE.



TYPE 202
SAME AS TYPE 101 EXCEPT AS SHOWN



TYPE 201



TYPE 203
SAME AS TYPE 202 EXCEPT AS SHOWN

- NOTES:
- UNLESS OTHERWISE SPECIFIED AND/OR INDICATED: DIMENSIONS ARE TO FACE OF VIEW SHOWN AND AUTOMATICALLY ROUNDED BY COMPUTER FOR INSPECTION. (SEE MATH MODEL FOR PRECISE DIMENSION) FOR ALL OTHER DIMENSIONS NOT SHOWN BUT REQUIRED FOR TOOL BUILD, SEE MATH MODEL FOR PRECISE TOOL PATH DATA.
 - RECOMMENDED MATING BLADE - WIDTH : 1.64/1.4 THICKNESS : 0.86/0.79 LENGTH : 7.1/6.9
 - "PXX" INDICATES "P" PLUS LAST TWO DIGITS OF MAKE SERIES NUMBER (P01, P02, P03, ETC).
 - DO NOT PROBE, TEST OR OTHERWISE CONTACT THE INTERIOR REGION (THE SPRING OR ANY MOVING PART) OF THIS TERMINAL. SEVERE DAMAGE CAN OCCUR, COMPROMISING THE PERFORMANCE OF THE ELECTRICAL INTERFACE.
 - FOR TERMINALS PACKAGED & STORED IN THE APPROVED MANNER, TARNISH ON SILVER PLATED SURFACES WILL NOT AFFECT THE PERFORMANCE OF THE PART.

PART NO	REV	N/P	MAT'L SIZE	MAT'L SPEC	PART NO	REV	N/P	MAT'L SIZE	MAT'L SPEC	SIZE (MM²)	ID	DIA	TYPE	G	SEALED
-	-	-	0.254 X 30.96	-	15366078	05	AC	0.254 X 29.8	AU PLATED COPPER ALLOY	1-0.8-0.5	60	2.8-2.03	202	3	X
-	-	-	0.254 X 30.96	-	15326396	03	AD	0.254 X 29.8	AU PLATED COPPER ALLOY	0.5-0.35	21	2.2-1.3	202	2.1	X
-	-	-	0.254 X 30.96	-	15326225	03	AC	0.254 X 29.8	SN PLATED COPPER ALLOY	1-0.8-0.5	60	2.8-2.03	202	3	X
-	-	-	0.254 X 30.96	-	12160223	06	AE	0.254 X 29.8	AG PLATED COPPER ALLOY	1-0.8	17	2.65-1.85	203	3	X
-	-	-	0.254 X 30.96	-	12160222	06	AE	0.254 X 29.8	AG PLATED COPPER ALLOY	0.5-0.35	21	2.2-1.3	203	2.1	X
12092702	03	AB	0.254 X 30.96	METAL COPPER ALLOY	12084200	06	AD	0.254 X 29.8	SN PLATED COPPER ALLOY	0.5-0.35	21	2.2-1.3	202	2.1	X
-	-	-	0.254 X 30.96	-	12059611	C1	-	0.254 X 30.96	SN PLATED COPPER ALLOY	0.35	22	2-1.47	201	2.2	-
12092667	B1	-	0.254 X 30.96	METAL COPPER ALLOY	12048074	11	AC	0.254 X 29.8	SN PLATED COPPER ALLOY	1-0.8-0.5	60	2.8-2.03	202	3	X
PART NO	REV	N/P	MAT'L SIZE	MAT'L SPEC	PART NO	REV	N/P	MAT'L SIZE	MAT'L SPEC	SIZE (MM²)	ID	DIA	TYPE	G	SEALED
			UNPLATED					PLATED							

APTIV
CONNECTION SYSTEMS
WARREN, OH
COPYRIGHT 1996 APTIV. ALL RIGHTS RESERVED.
THIS DRAWING IS THE PROPERTY OF APTIV AND CONTAINS APTIV CONFIDENTIAL INFORMATION. THE REPRODUCTION, DISTRIBUTION AND UTILIZATION OF THIS DOCUMENT OR ITS RELATED CAD DATA, AS WELL AS COMMUNICATION OF ANY CONTENT TO OTHERS, WITHOUT EXPRESS AUTHORIZATION, IS PROHIBITED.

DR: _____ DATE: _____
APVD1: S. LIMON A. 26AU96
APVD2: FCO. KOPCA 26AU96
APVD3: T. DUTTLE 220C96
APVD4: _____
SUBSTANCES OF CONCERN AND RECYCLED CONTENT PER APTIV 10949001

MATERIAL: _____
SEC CHART: _____
DRAWING NAME: TAXI TERM F M/P 150 LOCKING LANCE
DRAWING NUMBER: 12047884
SIZE: A2 SCALE: 10:1 FRAME NO: 1 OF 1 SHEET NO: 2 OF 2 STG: 1 REV: 24

UNLESS OTHERWISE SPECIFIED
THIS DOCUMENT IS IN ACCORDANCE WITH ASME Y14.5M-1994 AS MODIFIED BY THE 0M GLOBAL DIMENSIONING AND TOLERANCING ADDENDUM - 1997. ALL GEOMETRIC TOLERANCES AND RELATED SURFACE RELATED FEATURES SHALL BE SPECIFIED FROM A POINT OF VIEW ESTABLISHED BY ORIENTATION OR LOCATION TOLERANCES. SEPARATE POSITION CALLOUTS MAY BE GIVEN SEPARATELY. ALL DIMENSIONS ARE IN MILLIMETERS.

6 PROCESS SENSITIVE DIMENSION
DIMENSIONS ENCLOSED IN () INDICATE REFERENCE DIMENSING AND NO TOLERANCE LIMITS ARE ESTABLISHED.
FROM: 0 CHART: D
TO: 1/2 > 12
TOLERANCE UNLESS OTHERWISE SPECIFIED: 0.1 0.2
ANGULAR TOLERANCE: ±2°

THIRD ANGLE PROJECTION
DO NOT SCALE
USE MATH DATA
NX

X-ON Electronics

Largest Supplier of Electrical and Electronic Components

Click to view similar products for [Automotive Connectors](#) category:

Click to view products by [APTIV](#) manufacturer:

Other Similar products are found below :

[003-018-000](#) [60993906-B](#) [72.330.1035.1](#) [73.353.4028.0](#) [F358300-B](#) [F407400](#) [776880-1](#) [827153-1](#) [8N1515-32-24P](#) [9-1326729-8](#) [925474-1](#)
[928905-1](#) [964562-4](#) [968782-1](#) [98891-1012](#) [12004475-L](#) [12041318-B](#) [12052466](#) [12015909](#) [1-21030-1](#) [12041318](#) [12047957](#) [12185550](#)
[12336-12](#) [12147304](#) [13681974](#) [13755420](#) [13783086](#) [13832576](#) [13542772](#) [1393425-2](#) [13964573](#) [1428188-1](#) [1437287-3](#) [1438231-5](#)
[1428188-2](#) [DS00-7P-090](#) [DS07-19S-5020](#) [1456983-5](#) [1456987-7](#) [APD-7CP-H](#) [APK-SB25A10L](#) [1452931-2](#) [15317331](#) [15435215](#) [15491972](#)
[15305306](#) [15369261](#) [15396680](#) [15470590](#)