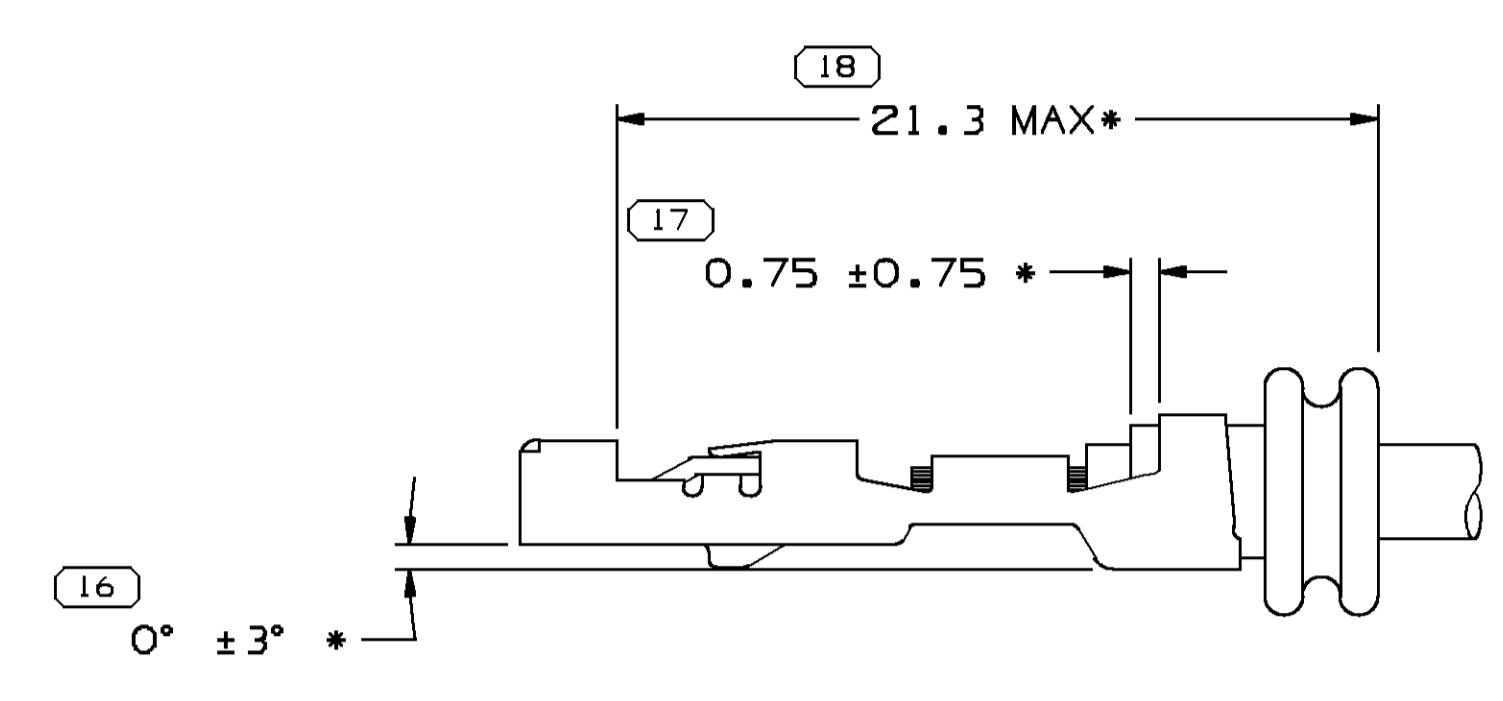
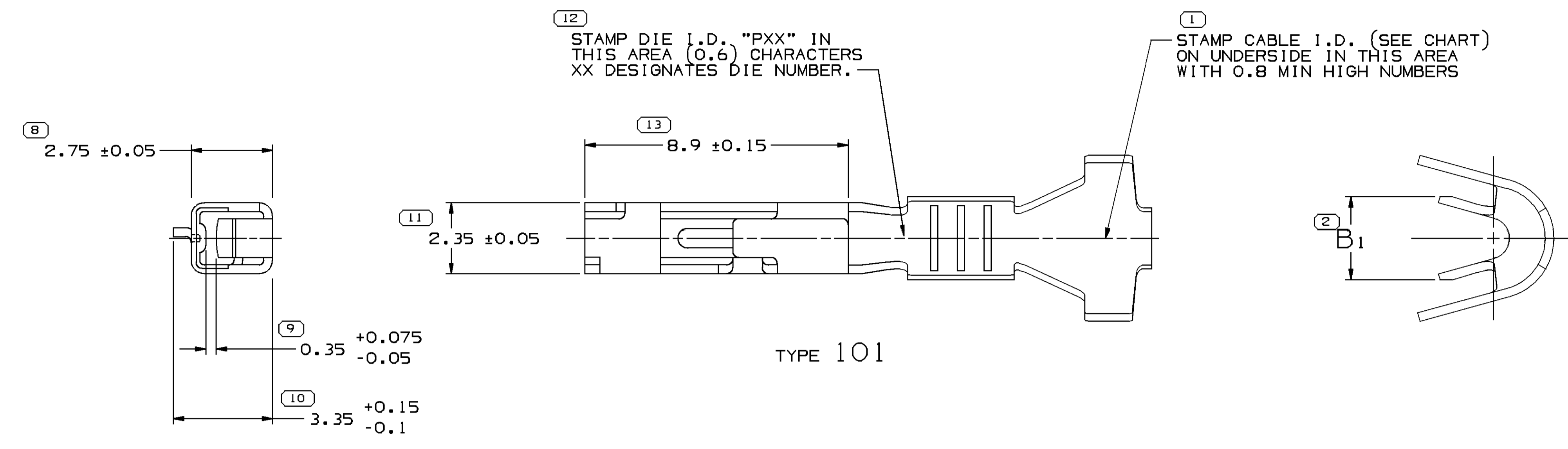
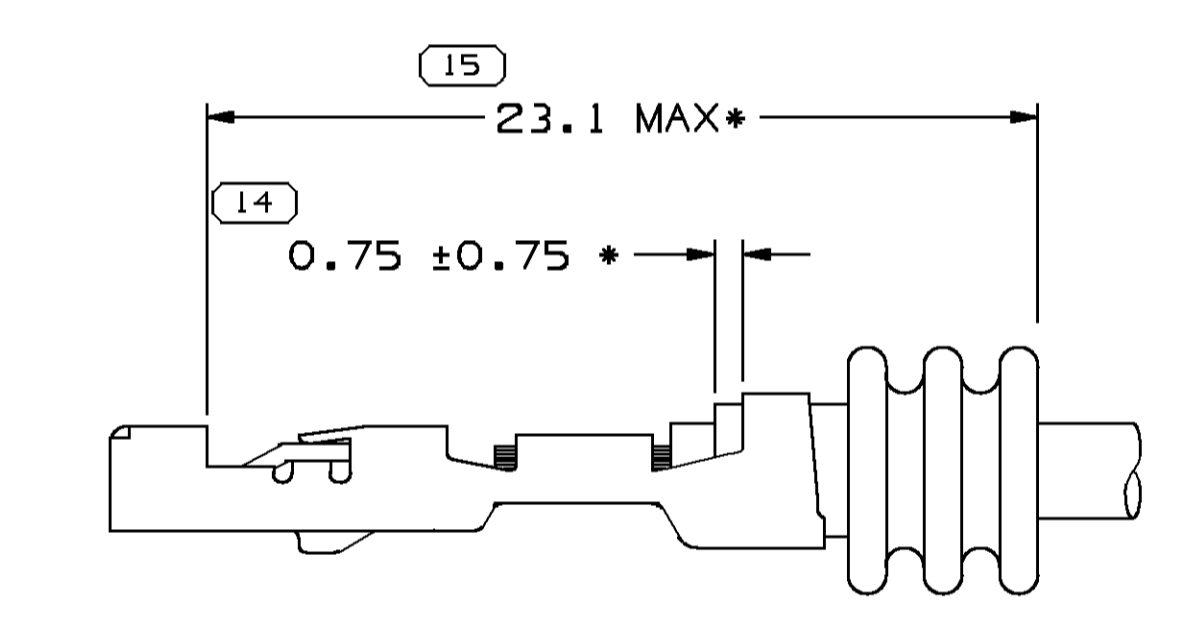
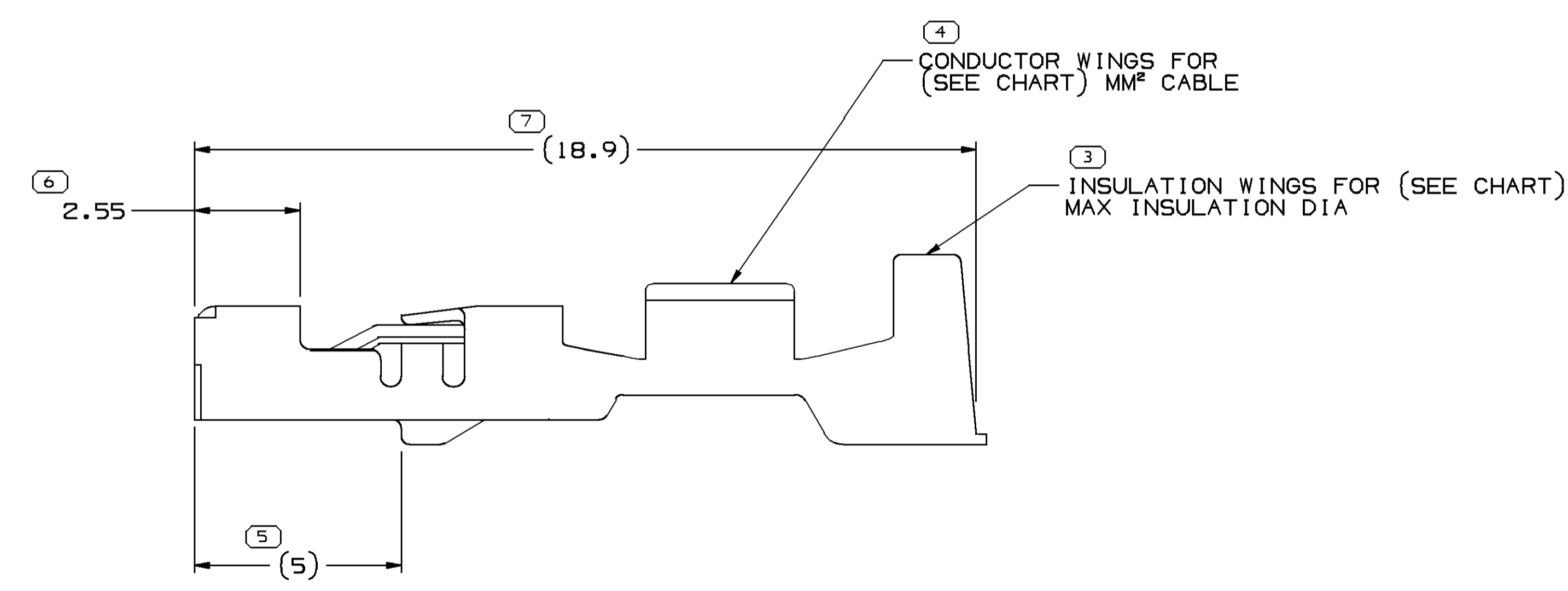


SYMBOL DEFINITION		TOTAL NO OF INSPECTIONS REQUIRED	MISSING SYMBOL NUMBER
A DIMENSION WITHOUT AN INSPECTION REPORT SYMBOL ( ) DOES NOT REQUIRE INSPECTION. IT MAY BE CONTROLLED ON THE INDIVIDUAL COMPONENT DRAWING.		18	
	LAST NO. USED	18	

DWG STATUS				REVISION HISTORY				AUTH	DR	APVD	APVD
DATE	STG	REV	N/P	CHG	ZONE						
30JL02	R	01	-	-	-			226419	JVM	JVM	TTP
12SE03	R	02	-	-	-			241005	LOA	FKV	CD
17SE03	R	03	-	-	-			15326266	-	UPDATED PDM ATTRIBUTES	245987 ADK BB TM
24CC03	R	04	-	-	-			246088	LMB	LMB	RF
16AU04	R	05	-	-	-			258116	TSH	TSH	RF
16MY05	R	06	-	-	-			268254	JS	JS	LN
05NO08	R	07	-	-	-			406683	RHG	JHP	RHG
16MR10	R	08	-	-	-			410248	FRE	FRE	VMR
04AU10	R	09	-	-	-			411497	JRL	JRL	VMR
30SE10	R	10	-	-	-			412114	AJP	JVM	VMR
23MY11	R	11	-	-	-			414345	JAR	JAR	VMR



2 RIB SEAL POSITION REF AND TERMINAL/CABLE ALIGNMENT  
SCALE 5:1



3 RIB SEAL POSITION REF  
SCALE 5:1

NOTES

- UNLESS OTHERWISE SPECIFIED AND/OR INDICATED: DIMENSIONS ARE TO FACE OF VIEW SHOWN AND AUTOMATICALLY ROUNDED BY COMPUTER FOR INSPECTION. (SEE MATH MODEL FOR PRECISE DIMENSIONS.) FOR ALL OTHER DIMENSIONS NOT SHOWN BUT REQUIRED FOR TOOL BUILD, SEE MATH MODEL FOR PRECISE TOOL PATH DATA.
- REFERENCE MATING COMPONENTS OR EQUIVALENT:  
TERMINAL - 15304706
- \* DENOTES DIMENSIONS MADE AT CUT-OFF AND CRIMP DIE.
- DO NOT PROBE, TEST OR OTHERWISE CONTACT THE INTERIOR REGION (THE SPRING OR ANY MOVING PART) OF THIS TERMINAL. SEVERE DAMAGE CAN OCCUR, COMPROMISING THE PERFORMANCE OF THE ELECTRICAL INTERFACE.
- PLATING TYPE:  
1. REFLOW TIN 1.9-3.3 MICROMETERS THICK WITH A COPPER UNDERPLATE 0.5 MICROMETER TO 1.0 MICROMETER THICK.

PLATING TYPE INFORMATION SHOWN ABOVE IS REFERENCE ONLY. PLATING REQUIREMENTS ARE CONTAINED IN APPLICABLE MATERIAL SPECIFICATION.

PART NO	REV	N/P	STATUS	PREFERRED MAT'L SIZE	ALTERNATIVE MAT'L SIZE	MAT'L DESCRIPTION	SIZE (MM²)	ID	DIA	TYPE	B <sub>1±0.2</sub>	APPLICATION	TYPICAL CABLE SEAL OR EQUIVALENT	TYPICAL SEALING CAVITY CONFIGURATION	CONTACT AREA PLATING TYPE (SEE NOTE 5)	CRIMP AREA PLATING TYPE (SEE NOTE 5)
15326267	04	AG	-	0.3 X 26.71	0.3 X 27.38	COPPER ALLOY	0.75 - 0.8	18	2.02 - 1.7	101	2.65	SEALED (MINI)	15305351	3.2 X 4 OVAL	I	I
15326266	04	AG	-	0.3 X 26.71	0.3 X 27.38	COPPER ALLOY	0.35 - 0.5	21	1.85 - 1.2	101	2.1	SEALED (MINI)	15366022	3.2 X 4 OVAL	I	I
15326265	04	AG	-	0.3 X 26.71	0.3 X 27.38	COPPER ALLOY	0.75 - 1	17	2.25 - 1.7	101	2.65	SEALED (GT)	15366060	Ø 4 ROUND	I	I
15326264	04	AG	-	0.3 X 26.71	0.3 X 27.38	COPPER ALLOY	0.35 - 0.5	21	1.85 - 1.2	101	2.1	SEALED (GT)	15366021	Ø 4 ROUND	I	I

DWG TYPE		PART DRAWING	
STYLE		DATE	
VOLUME (OMP)		DISTR CODE	
UNLESS OTHERWISE SPECIFIED			
THIS DOCUMENT IS IN ACCORDANCE WITH ASME Y14.5M-1994 AS MODIFIED BY THE 2018 DIMENSIONING AND TOLERANCING ADDENDUM-2018. SEPARATE PATTERNS OF FEATURES MAY BE SHOWN SEPARATELY REGARDLESS OF DATUM REFERENCES.			
ALL DIMENSIONS ARE IN MILLIMETERS			
REFERENCE			

**DELPHI**  
DELPHI PACKARD ELECTRICAL/ELECTRONIC ARCHITECTURE  
WARREN, OH

DR	DATE
APV01 H. CASTRILLON	18AP97
APV02 FCO. KOPCA	21AP97
APV03 S.C. HSIEH	30SE98
APV04	
APV05	

SUBSTANCE OF CONCERN AND RECYCLED CONTENT, PER DELPHI (09449901)

MATERIAL SEE CHART

DRAWING NAME  
TAXI TERM F 0T 150

DRAWING NUMBER  
**12191815**

SIZE A0 SCALE 10:1 FRAME NO 1 OF 1 SHEET NO 2 OF 2 STG REV N/P R 11 -

PROCESS SENSITIVE DIMENSION		THIRD ANGLE PROJECTION		DO NOT SCALE	
DIMENSIONS ENCLOSED IN ( ) INDICATE REFERENCE DIMENSIONS AND NO TOLERANCE LIMITS ARE ESTABLISHED		USE MATH DATA			
DIMENSIONAL RANGE (MM)	CHART CD	ANGULAR TOLERANCE ±0.2°			
FROM 0 TO 12	> 12				
TOLERANCE UNLESS OTHERWISE SPECIFIED					
±0.1	±0.2				

## X-ON Electronics

Largest Supplier of Electrical and Electronic Components

*Click to view similar products for [Automotive Connectors](#) category:*

*Click to view products by [APTIV](#) manufacturer:*

Other Similar products are found below :

[003-018-000](#) [60403001](#) [60993906-B](#) [629515004020001](#) [M902-2131](#) [M902-2161](#) [72.330.1035.1](#) [73.353.4028.0](#) [F119300-B](#) [F166900](#)  
[F258300-B](#) [F358300-B](#) [F407400](#) [F444110](#) [F487000](#) [F509500B-B](#) [827153-1](#) [8N1515-32-24P](#) [9-1326729-8](#) [925474-1](#) [928905-1](#) [964562-4](#)  
[968782-1](#) [GT17SA-8DS-HU](#) [98891-1012](#) [98947-1016](#) [12004475-L](#) [12010290](#) [12010309-B](#) [12015454](#) [12020219-B](#) [12020308](#) [12041318-B](#)  
[12052225-L](#) [12052466](#) [12059125](#) [12064869](#) [12004327-B](#) [12010503-B](#) [12015308](#) [12015384](#) [12015909](#) [1-21030-1](#) [12041254](#) [12041318](#)  
[12047946-B](#) [12047957](#) [12047957-L](#) [12059473](#) [12066261](#)