

# DELPHI

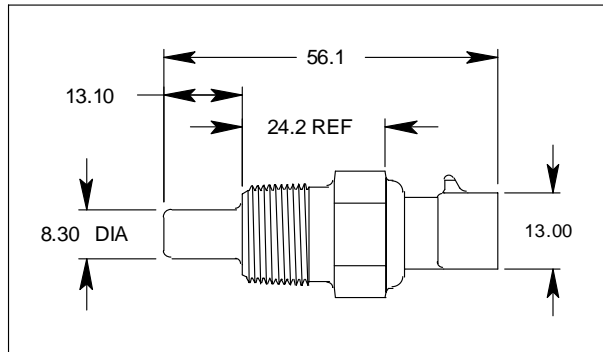
## TEMPERATURE SENSOR PRODUCT DATA

### COOLANT TEMPERATURE SENSOR

PART NUMBER 15326386

#### FEATURES:

- Design for Manufacturability
- Cost Effective
- Robust Design
- Few Components
- Few Assembly Processes
- Thermistor Technology
- 100% Calibration Certified



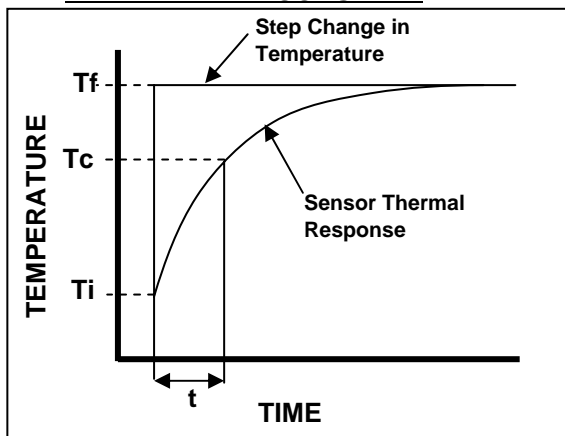
#### THERMAL & ELECTRICAL PROPERTIES

Typical Voltage Supply: **5V DC**  
Operating Temperature: **-40 C to 135 C**  
Resistive Range (Ohms): **See Table**  
Dissipation Constant: \* **24 mW/°C**  
Thermal Time Constant: \*\* **18 to 24 seconds**  
Accuracy: **See Table**

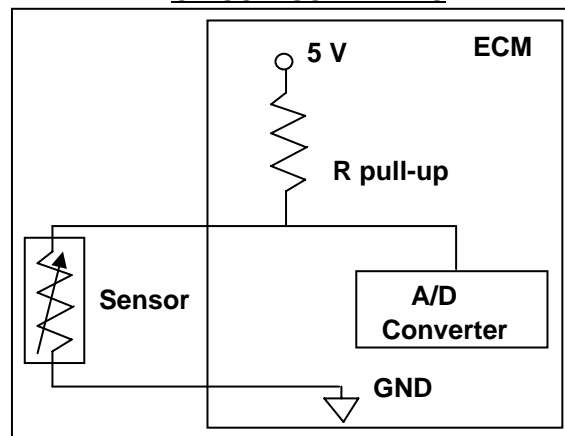
#### MECHANICAL PROPERTIES

Sensor Body Material: **Brass**  
Connector: **PBT 30% GF**  
Hex Size: **18.90 mm (3/4")**  
Thread Size: **3/8" - 18 NPTF**  
Thread Sealant: **GM09985473**  
Sealing Pressure: **145 kPa**  
Mating Connector & Seal: **15336024**  
Installation Torque: **20 Nm**  
Overall Weight: **39.5 g**

#### THERMAL TIME CONSTANT



#### CIRCUIT SCHEMATIC



\* The ratio, at a specified ambient temperature, of the change in the power dissipation of the sensor to the resultant temperature change of the thermistor. Test medium: silicone oil

\*\* The time required for the sensor to achieve 63.2% of its steady state value when subjected to a step change in ambient temperature [ $T_c = (T_f - T_i) * 63.2\% + T_i$ ]. Test medium: silicone oil.

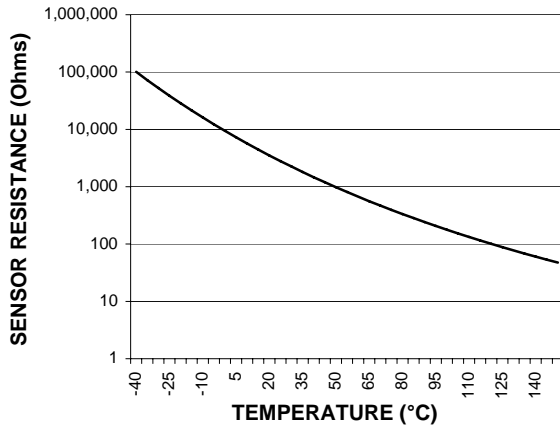
Part Revision Level: **001**  
Data Sheet Revision Date: **6/15/2004**

# DELPHI

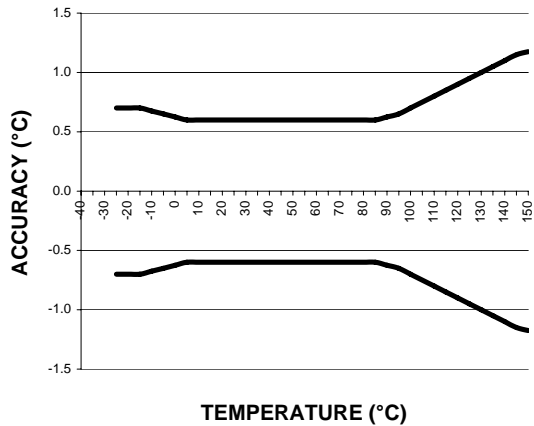
## TEMPERATURE SENSOR PRODUCT DATA

PART NUMBER 15326386

UNLOADED RESISTANCE vs TEMPERATURE  
CHARACTERISTIC CHART



TEMPERATURE ACCURACY CHART



Note: Temperature Sensor Calibration Resistance Guaranteed by 100% Automated Calibration Certification.

Temp (°C)	Res (Ohms)	Res (±%)	Ref Acc (±°C)	Temp (°C)	Res (Ohms)	Res (±%)	Ref Acc (±°C)	Temp (°C)	Res (Ohms)	Res (±%)	Ref Acc (±°C)
-40	100865	4.87	0.70	25	2795	2.50	0.60	90	241.8	2.10	0.70
-35	72437	4.64	0.70	30	2240	2.45	0.60	95	207.1	2.21	0.70
-30	52594	4.43	0.70	35	1806	2.40	0.60	100	178.0	2.31	0.80
-25	38583	4.21	0.70	40	1465	2.36	0.60	105	153.6	2.42	0.80
-20	28582	4.00	0.70	45	1195	2.31	0.60	110	133.1	2.52	0.90
-15	21371	3.80	0.70	50	980	2.27	0.60	115	115.7	2.61	0.90
-10	16120	3.60	0.60	55	809	2.23	0.60	120	100.9	2.68	1.00
-5	12261	3.40	0.60	60	671	2.19	0.60	125	88.3	2.75	1.00
0	9399	3.21	0.60	65	559	2.15	0.60	130	77.5	2.80	1.10
5	7263	3.06	0.60	70	469	2.11	0.60	135	68.3	2.84	1.10
10	5658	2.92	0.60	75	395	2.07	0.60	140	60.3	2.87	1.20
15	4441	2.78	0.60	80	334	2.04	0.60	145	53.4	2.89	1.20
20	3511	2.64	0.60	85	283	2.00	0.60	150	47.5	2.90	1.20

**Important:** The values above are for the unloaded thermistor, as shipped from Delphi Packard Electric, and does not reflect the effects of application system errors and aging.

**Notes:** Please contact Delphi Packard Engineering for the resistance vs temperature curve for your temperature sensor application. Due to self-heating effects of the thermistor, the resistance is dependant upon the application.

Since thermistors are "continuous function devices", resistance vs temperature data is available for numbers beyond those specified above.

For more information contact:

Delphi Packard Electric Systems  
Sensor Business Segment M/S 93B  
North River Road  
Warren, OH 44483

Phone: (330) 373-3689

Fax: (330) 373-4147

Temperature (°C)	Resistance (Ohms)	Resistance (±%)	Temperature Accuracy (+°C)	Temperature Accuracy (-°C)
-40	100,865	4.87	0.7	-0.7
-35	72,437	4.64	0.7	-0.7
-30	52,594	4.43	0.7	-0.7
-25	38,583	4.21	0.7	-0.7
-20	28,582	4.00	0.7	-0.7
-15	21,371	3.80	0.7	-0.7
-10	16,120	3.60	0.6	-0.6
-5	12,261	3.40	0.6	-0.6
0	9,399	3.21	0.6	-0.6
5	7,263	3.06	0.6	-0.6
10	5,658	2.92	0.6	-0.6
15	4,441	2.78	0.6	-0.6
20	3,511	2.64	0.6	-0.6
25	2,795	2.50	0.6	-0.6
30	2,240	2.45	0.6	-0.6
35	1,806	2.40	0.6	-0.6
40	1,465	2.36	0.6	-0.6
45	1,195	2.31	0.6	-0.6
50	980	2.27	0.6	-0.6
55	809	2.23	0.6	-0.6
60	671	2.19	0.6	-0.6
65	559	2.15	0.6	-0.6
70	469	2.11	0.6	-0.6
75	395	2.07	0.6	-0.6
80	334	2.04	0.6	-0.6
85	283	2.00	0.6	-0.6
90	241.8	2.10	0.7	-0.7
95	207.1	2.21	0.7	-0.7
100	178.0	2.31	0.8	-0.8
105	153.6	2.42	0.8	-0.8
110	133.1	2.52	0.9	-0.9
115	115.7	2.61	0.9	-0.9
120	100.9	2.68	1.0	-1.0
125	88.3	2.75	1.0	-1.0
130	77.5	2.80	1.1	-1.1
135	68.3	2.84	1.1	-1.1
140	60.3	2.87	1.2	-1.2
145	53.4	2.89	1.2	-1.2
150	47.5	2.90	1.2	-1.2

## X-ON Electronics

Largest Supplier of Electrical and Electronic Components

*Click to view similar products for [Automotive Connectors](#) category:*

*Click to view products by [APTIV](#) manufacturer:*

Other Similar products are found below :

[003-018-000](#) [60403001](#) [60993906-B](#) [629515004020001](#) [M902-2131](#) [M902-2161](#) [72.330.1035.1](#) [73.353.4028.0](#) [F119300-B](#) [F166900](#)  
[F258300-B](#) [F358300-B](#) [F407400](#) [F444110](#) [F487000](#) [F509500B-B](#) [827153-1](#) [8N1515-32-24P](#) [9-1326729-8](#) [925474-1](#) [928905-1](#) [964562-4](#)  
[968782-1](#) [GT17SA-8DS-HU](#) [98891-1012](#) [98947-1016](#) [12004475-L](#) [12010290](#) [12010309-B](#) [12015454](#) [12020219-B](#) [12020308](#) [12041318-B](#)  
[12052225-L](#) [12052466](#) [12059125](#) [12064869](#) [12004327-B](#) [12010503-B](#) [12015308](#) [12015384](#) [12015909](#) [1-21030-1](#) [12041254](#) [12041318](#)  
[12047946-B](#) [12047957](#) [12047957-L](#) [12059473](#) [12066261](#)