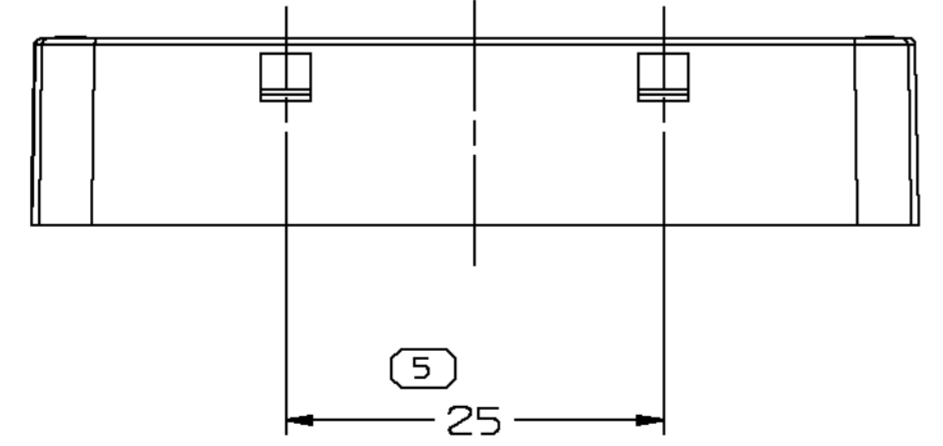
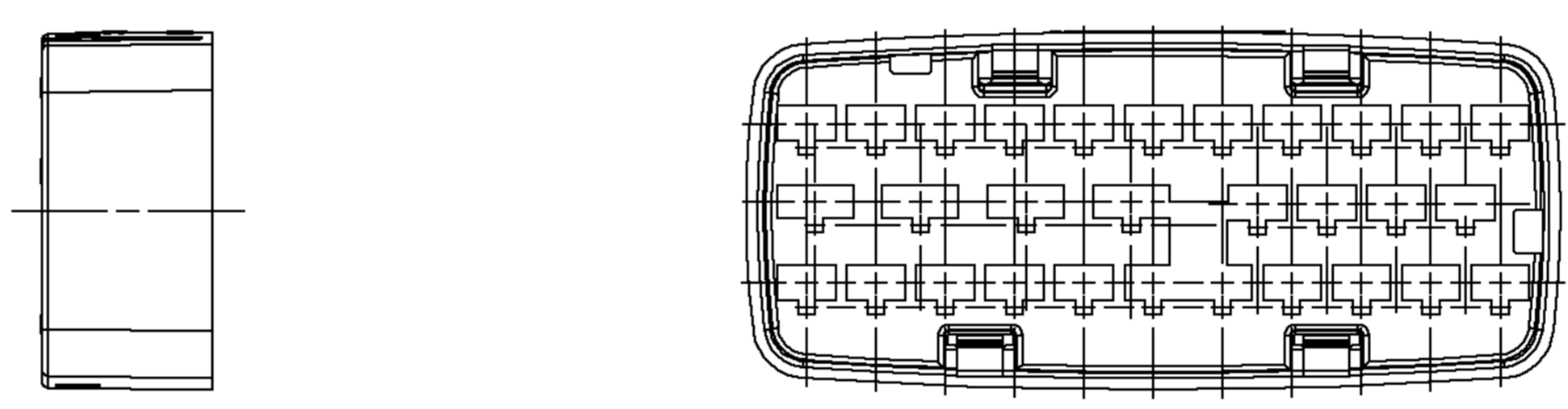
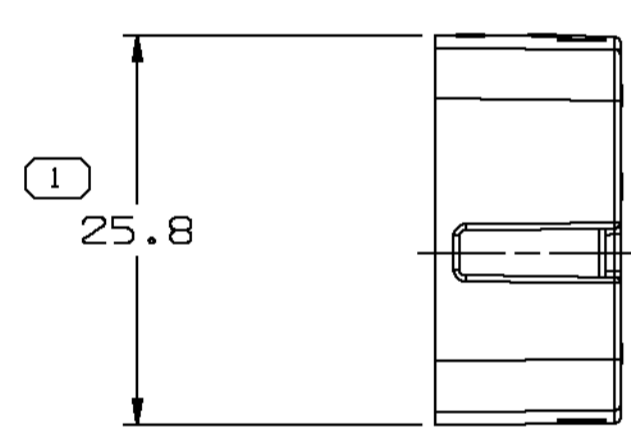
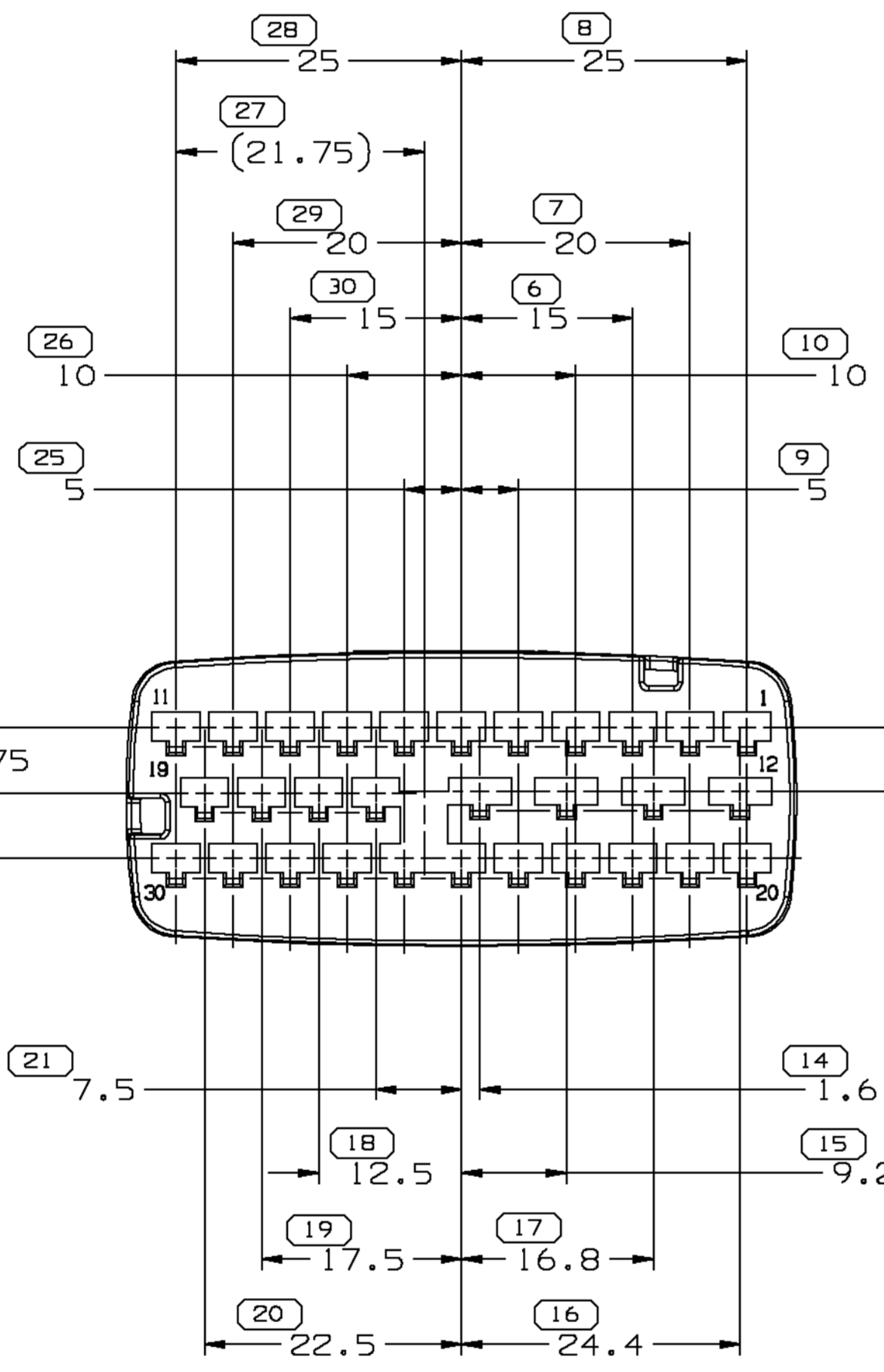
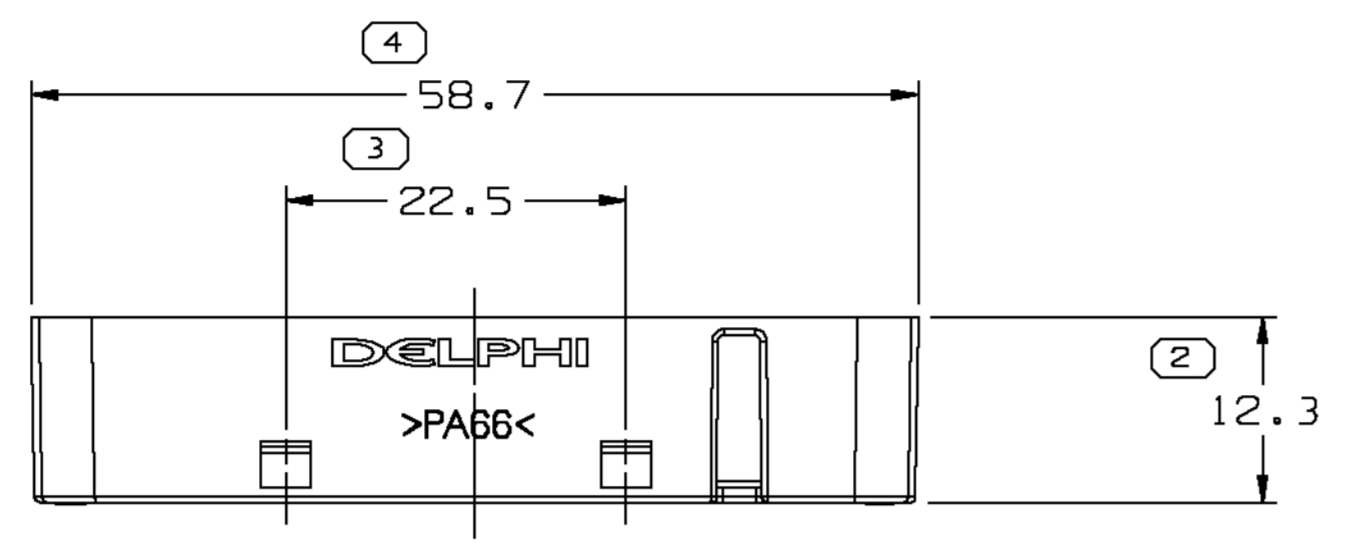


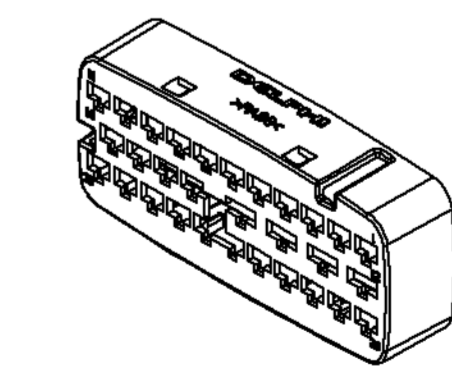
SYMBOL DEFINITION		MISSING SYMBOLS	
A DIMENSION WITHOUT AN INSPECTION REPORT SYMBOL DOES NOT REQUIRE INSPECTION. IT MAY BE CONTROLLED ON THE INDIVIDUAL COMPONENT DRAWING.	TOTAL NO OF INSPECTIONS REQUIRED	11-12	22
	LAST NO. USED		30

DWG STATUS				REVISION HISTORY				AUTH	DR	APVD	APVD
DATE	STG	REV	W/P	CHG	ZONE						
100002	R	A2	-	-		REDRAWN TO PD: ADDED DELPHI LOGO & NOTES (2 PLCS) AND REVISED MAT'L SPEC	231986	ARA	ARA	1	2
21JAO3	R	A3	-	-		REMOVED DIM (3 PLCS)	235791	RH	RH	1	2



NOTES

- UNLESS OTHERWISE SPECIFIED AND/OR INDICATED: DIMENSIONS ARE TO FACE OF VIEW SHOWN AND AUTOMATICALLY ROUNDED BY COMPUTER FOR INSPECTION (SEE MATH MODEL FOR PRECISE DIMENSIONS). FOR ALL OTHER DIMENSIONS NOT SHOWN BUT REQUIRED FOR TOOL BUILD, SEE MATH MODEL FOR PRECISE TOOL PATH DATA.
- MATERIAL RECYCLING CODE >PA66< PER SAE J1344. (2.3)X(0.1) RAISED CHARACTERS AS SHOWN TO BE LOCATED ON ANY EXTERIOR SURFACE. OPTIONAL CONSTRUCTION TO BE NO MATERIAL RECYCLING CODE.
- MATING COMPONENTS OR EQUIVALENT: CONNECTOR 15326390
- (2.3)X(0.1) RAISED DELPHI CORPORATE BRAND TO BE LOCATED ON ANY EXTERIOR SURFACE, PREFERABLY VISIBLE AT FINAL ASSEMBLY. OPTIONAL CONSTRUCTION TO BE "PED" OR NO LOGO.



DWO TYPE		PART DRAWING	
STYLE		DISTR CODE	D
VOLUME (COP)	3,175	ROUTING	6900

UNLESS OTHERWISE SPECIFIED			
THIS DOCUMENT IS IN ACCORDANCE WITH ASME Y14.5M-1994 AS AMENDED BY THE 2003 DIMENSIONING AND TOLERANCING ADDENDUM - 1997. ALL GEOMETRIC TOLERANCES AND RELATED DATUMS APPLY TO ALL DIMENSIONS UNLESS OTHERWISE SPECIFIED.	DO NOT SCALE	THIRD ANGLE PROJECTION	USE MATH DATA

**DELPHI**  
DELPHI PACKARD ELECTRIC SYSTEMS  
WARREN, OH

DR	DATE
APVD1 TOM NADASKI	24.JN.97
APVD2 TOM NADASKI	24.JN.97
APVD3 TOM NADASKI	21.JN.97
APVD4 N. CHANDIRAMANI	07.JL.97

MATERIAL: M2279018 PA66 6F14 H5 1M GRA DK

DRAWING NUMBER: 15326586

SCALE: 2:1

DIMENSIONAL RANGE (MM)		TOLERANCE UNLESS OTHERWISE SPECIFIED	
FROM	TO	TOLERANCE	ANGULAR TOLERANCE
> 0	> 30	±0.15	±0.2
> 30	> 70	±0.2	±0.3
> 70	> 100	±0.3	±0.4
> 100	> 150	±0.4	±0.5
> 150	> 200	±0.5	±0.6
> 200	> 250	±0.6	±0.8
> 250	> 300	±0.8	±1.0
> 300	> 400	±1.0	±1.2

## X-ON Electronics

Largest Supplier of Electrical and Electronic Components

*Click to view similar products for [Automotive Connectors](#) category:*

*Click to view products by [APTIV](#) manufacturer:*

Other Similar products are found below :

[003-018-000](#) [60403001](#) [60993906-B](#) [629515004020001](#) [M902-2131](#) [M902-2161](#) [72.330.1035.1](#) [73.353.4028.0](#) [F119300-B](#) [F166900](#)  
[F258300-B](#) [F358300-B](#) [F407400](#) [F444110](#) [F487000](#) [F509500B-B](#) [827153-1](#) [8N1515-32-24P](#) [9-1326729-8](#) [925474-1](#) [928905-1](#) [964562-4](#)  
[968782-1](#) [GT17SA-8DS-HU](#) [98891-1012](#) [98947-1016](#) [12004475-L](#) [12010290](#) [12010309-B](#) [12015454](#) [12020219-B](#) [12020308](#) [12041318-B](#)  
[12052225-L](#) [12052466](#) [12059125](#) [12064869](#) [12004327-B](#) [12010503-B](#) [12015308](#) [12015384](#) [12015909](#) [1-21030-1](#) [12041254](#) [12041318](#)  
[12047946-B](#) [12047957](#) [12047957-L](#) [12059473](#) [12066261](#)