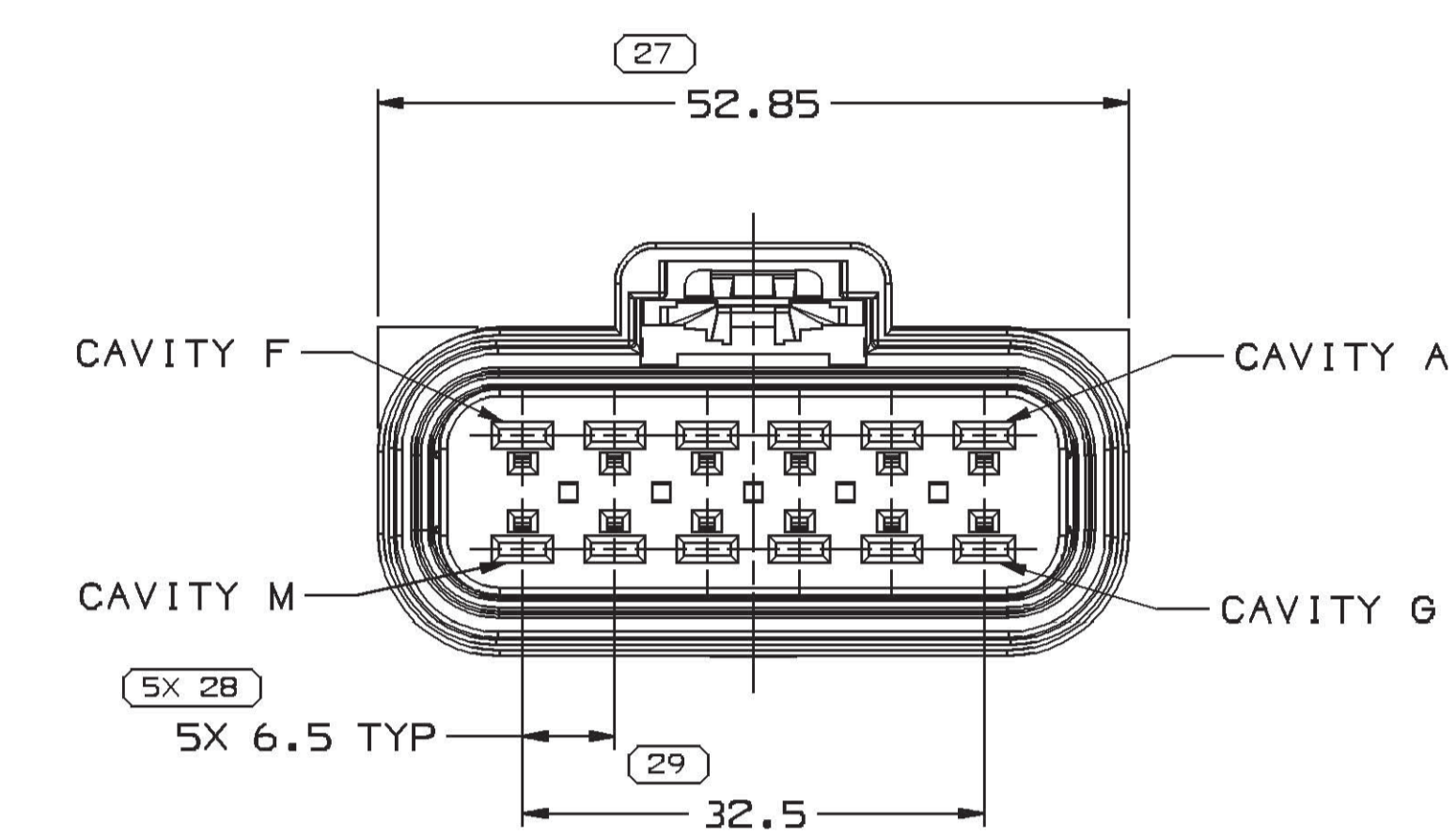
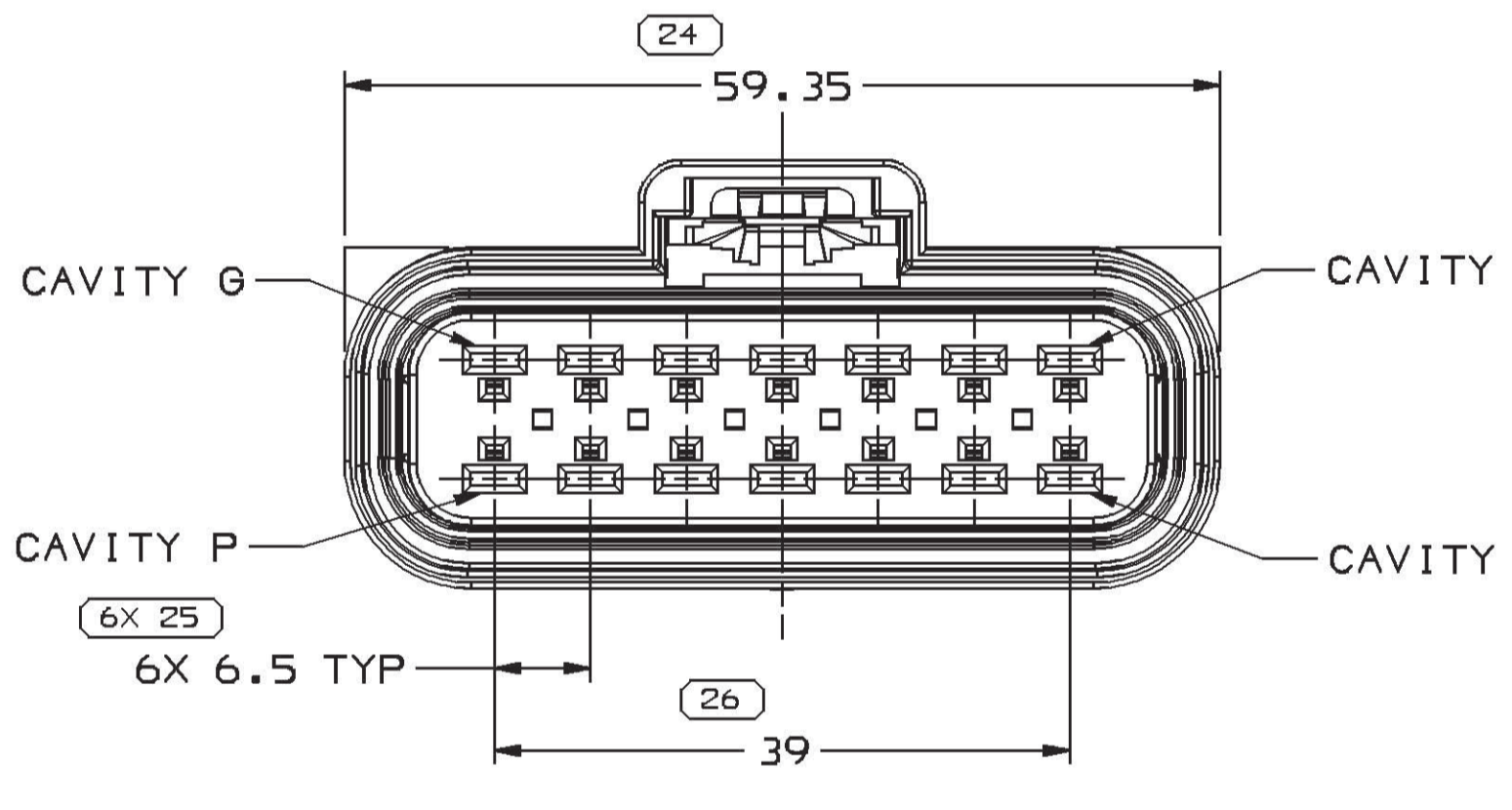


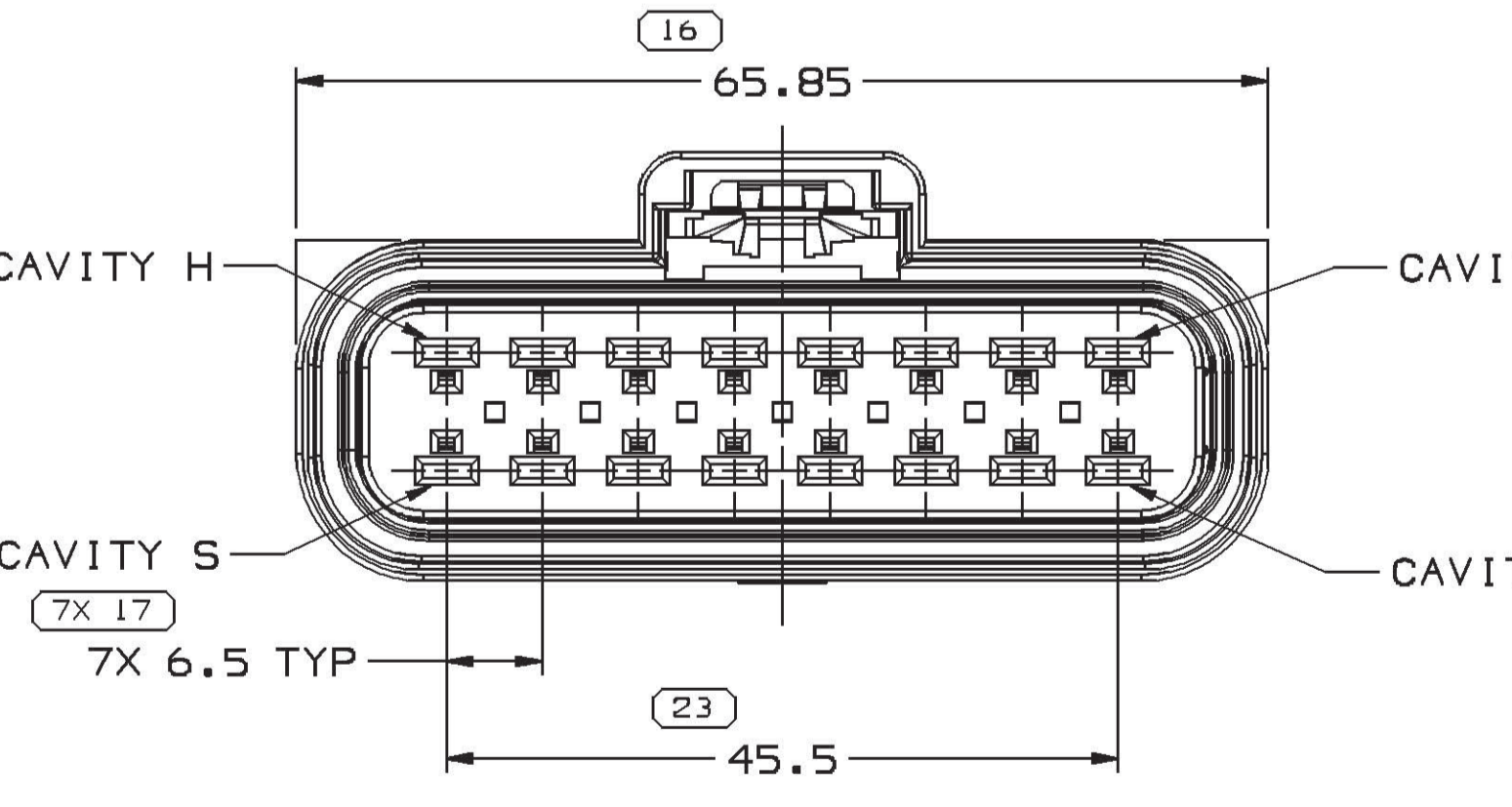
TYPE 110
SAME AS TYPE 108
EXCEPT AS SHOWN



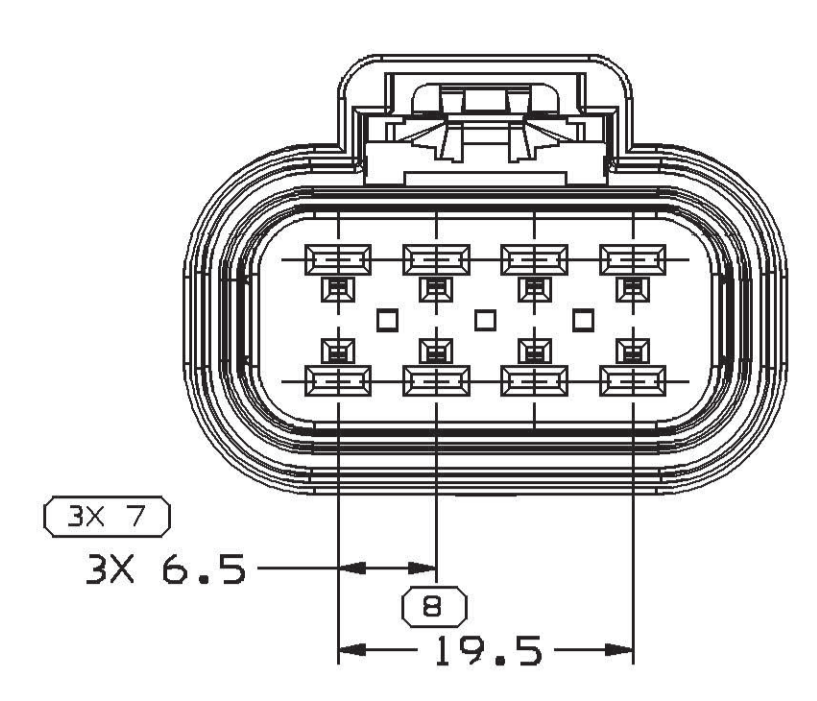
TYPE 112
SAME AS TYPE 108
EXCEPT AS SHOWN



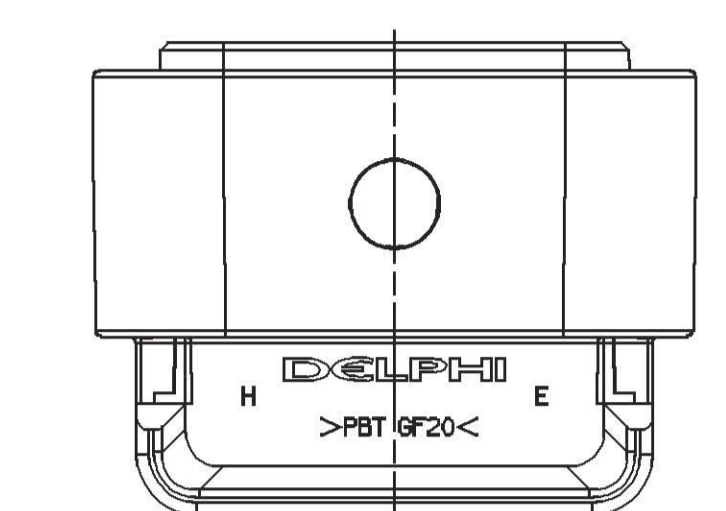
TYPE 114
SAME AS TYPE 108
EXCEPT AS SHOWN



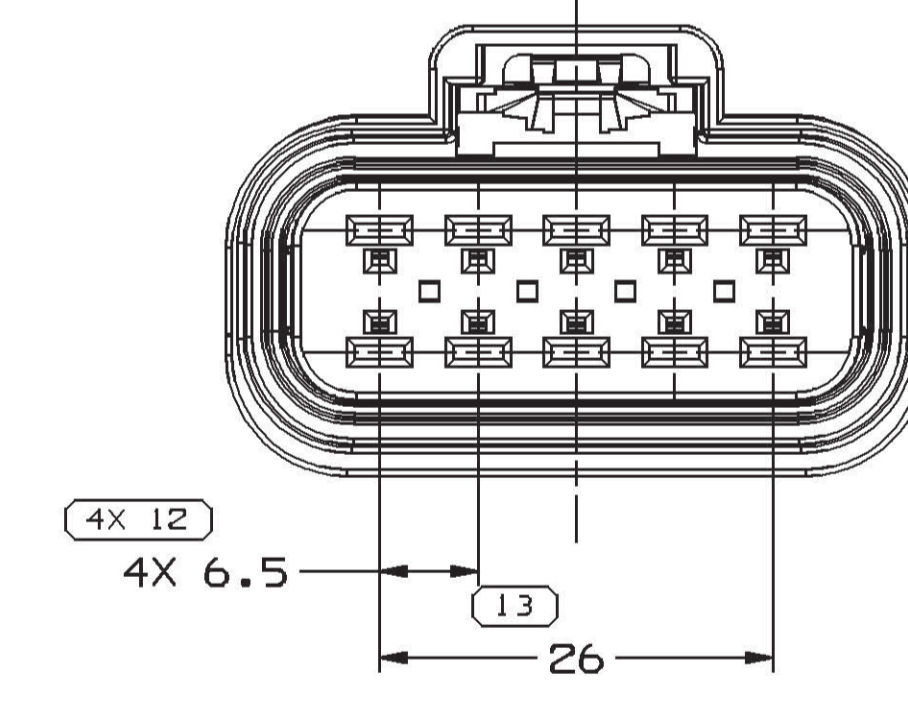
TYPE 116
SAME AS TYPE 108
EXCEPT AS SHOWN



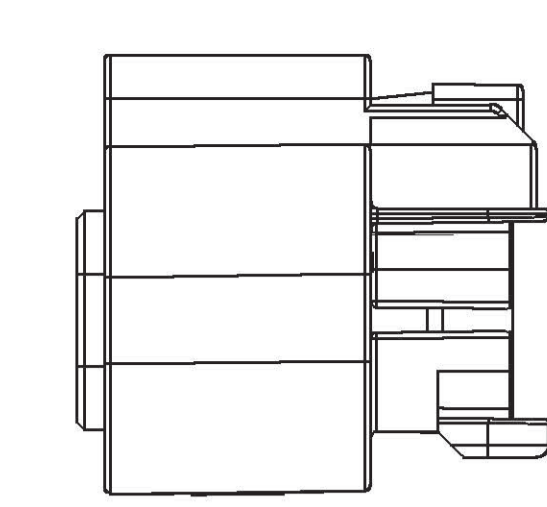
TYPE 208
SAME AS TYPE 108
EXCEPT AS SHOWN



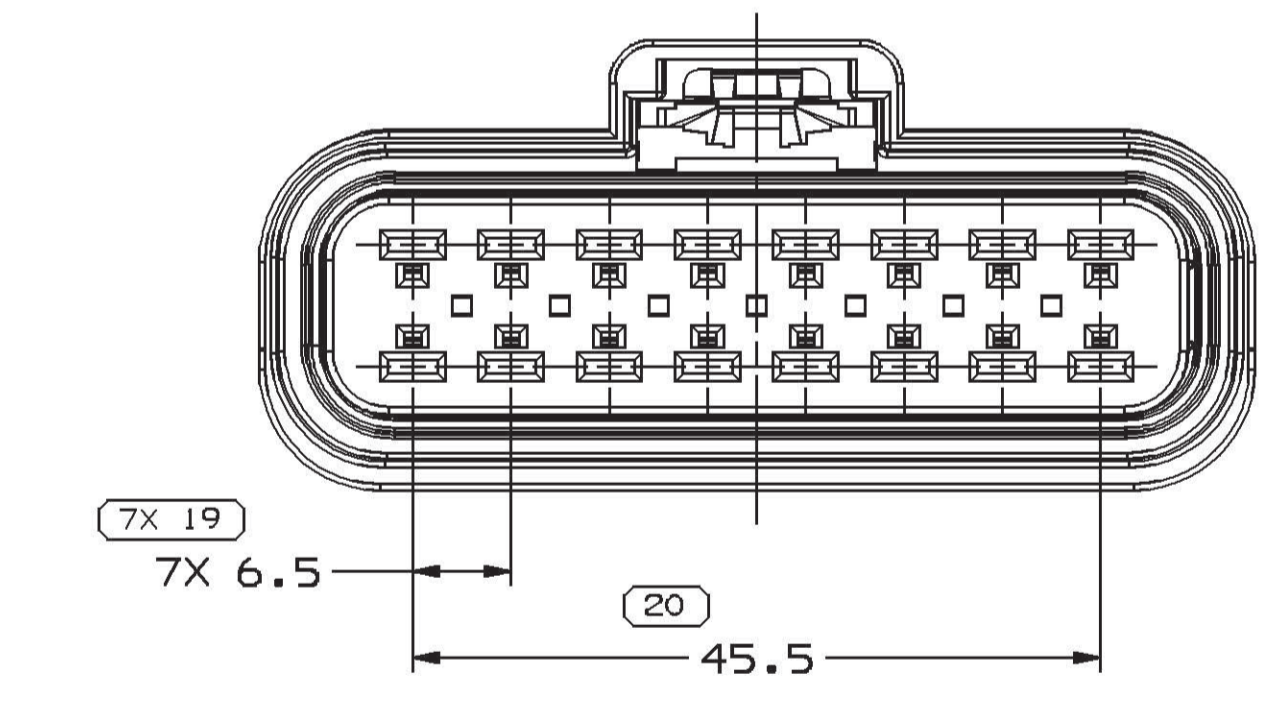
TYPE 214
SAME AS TYPE 114
EXCEPT AS SHOWN



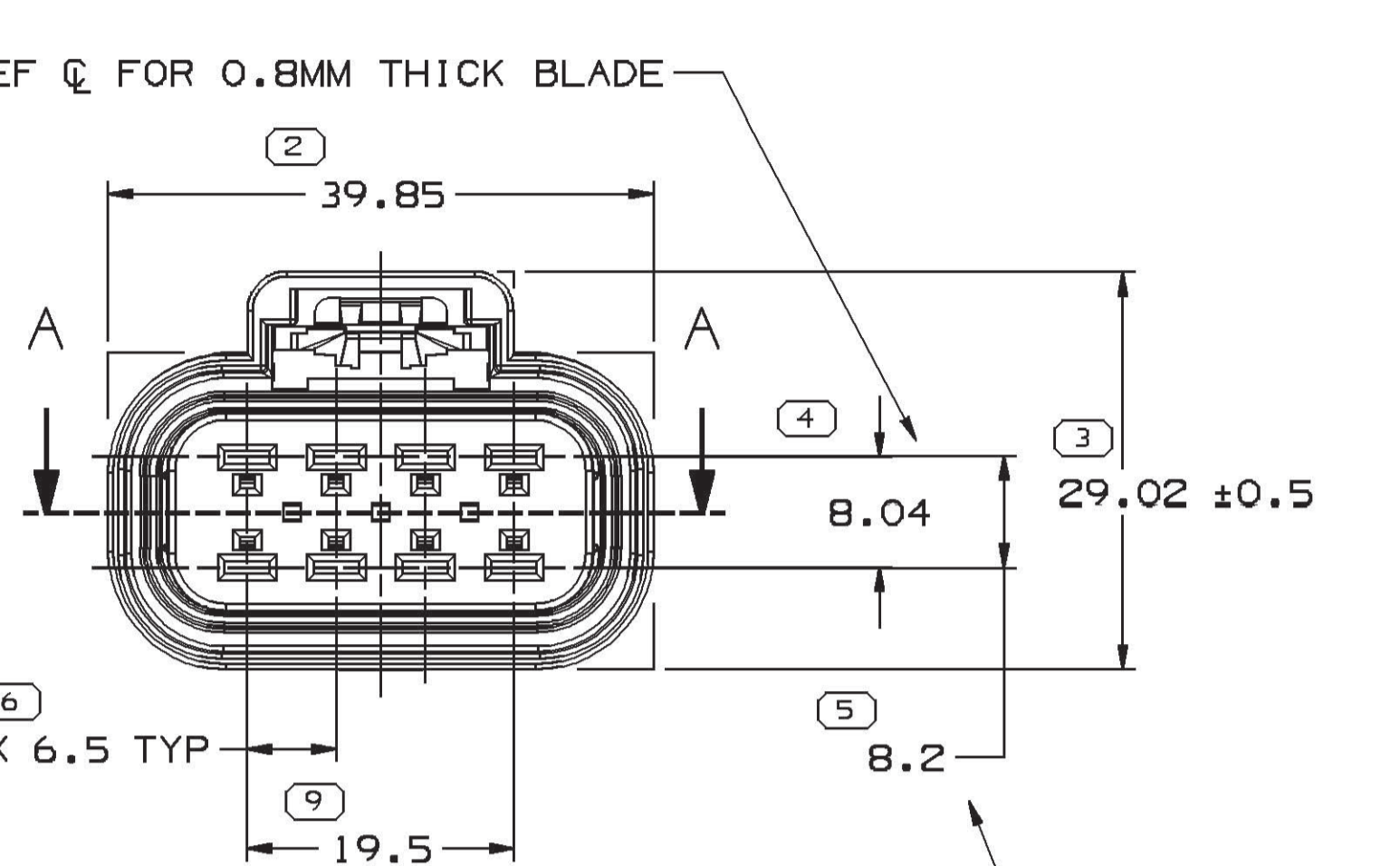
TYPE 210
SAME AS TYPE 214
EXCEPT AS SHOWN



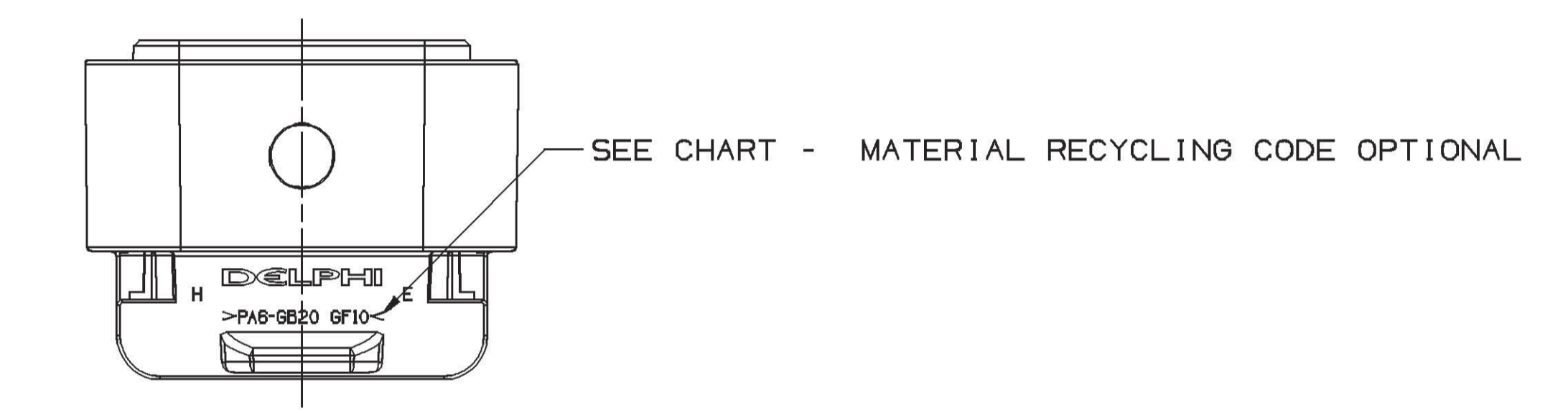
TYPE 212
SAME AS TYPE 214
EXCEPT AS SHOWN



TYPE 216
SAME AS TYPE 214
EXCEPT AS SHOWN

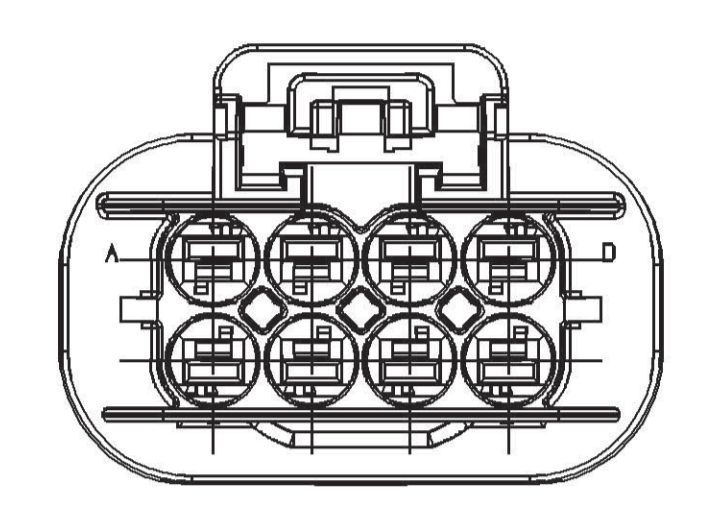
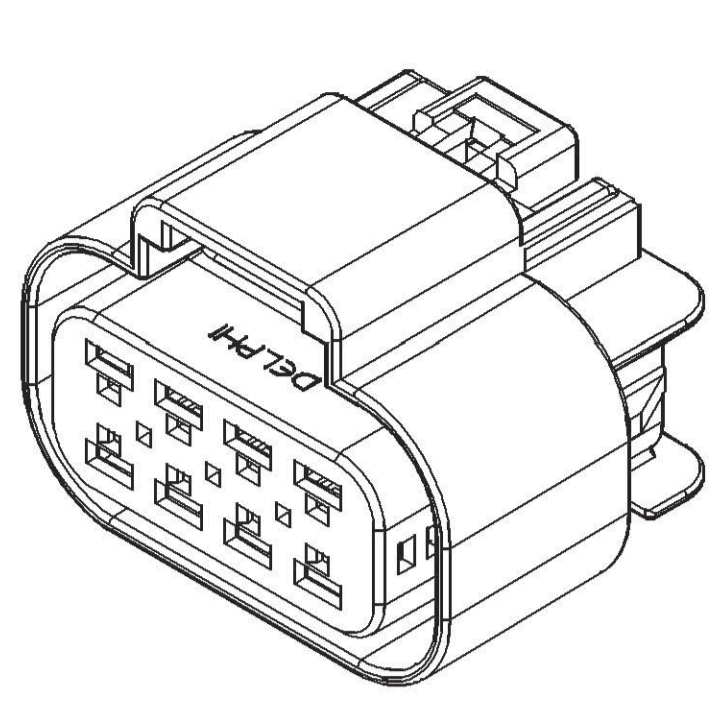


TYPE 108



SEE CHART - MATERIAL RECYCLING CODE OPTIONAL

SYMBOL DEFINITION		TOTAL NO OF INSPECTIONS REQUIRED		MISSING SYMBOLS	
A DIMENSION WITHOUT AN INSPECTION REPORT SYMBOL DOES NOT REQUIRE INSPECTION. IT MAY BE CONTROLLED ON THE INDIVIDUAL COMPONENT DRAWING.		70		NO MISSING SYMBOL NUMBER	
		LAST NO. USED	30		



DATE	STG	REV	N/P	CHG	ZONE	REVISION HISTORY		AUTH	DR	APV/D
						REVISED	REASON			
25AU99	R	02	-	-	-	CLEARED REVISION COLUMN	PART DRAWING UPDATED	196586	DRR	DRR SAN
190C99	R	03	-	-	-	ALL PARTS - REVISED GRAPHICS		196725	LMM	RRM SAN
14JL03	R	04	-	-	-	ALL PARTS - REVISED CHART TO SHOW MATING TPA P/Ns; REVISED MATING COMPONENT NOTE, ADDED CPA P/N		242960	ADK	ADK SAN
22SE05	R	05	-	-	-	13538370 & 13540547 - RELEASED		272748	LMB	LMB BR
09MR06	R	06	-	-	-	ALL PARTS - TERMINAL 15304720 WAS 15304718, CABLE SEAL 15326067 WAS 12191238; 15326654 - 39.85 WAS 39.9, 29.02 +/- 0.5 WAS 29; 15326660 - 46.37 WAS 46.4; 15326666 - 65.85 WAS 65.9; 15326910 - 52.85 WAS 52.9; 15326917 - 59.35 WAS 59.4; 13538370 - UPDATED PD ATTRIBUTES; 13540547 - REVISED DELPHI LOGO & VIEW TYPE LABEL		277561	MAC	MAC SAN
26AP06	R	07	-	-	-	13540547 - 29.77 +/- 0.37/-0.2 WAS 29.77		279991	JPH	FKV RWR
17MY06	R	08	-	-	-	ALL PARTS - UPDATED PDM ATTRIBUTES; 15326654 - RESTRICTED AND ADDED REPLACED BY COLUMN IN CHART		280598	CCV	JVM RWR
23MR07	R	09	-	-	-	15326654, 15326660, 15326666, 15326910 & 15326917 - UPDATED PDM ATTRIBUTES		400960	JBD	JVM 061
20FE08	R	10	-	-	-	ALL PARTS - ADDED COL TO CHART FOR "RECOMMENDED USAGE", APPLICATION DATA NOTE & APPEARANCE ITEM NOTE; REMOVED COL FROM CHART FOR "REPLACED BY" PART ACCEPTS NOTE, MATING CONFIGURATION NOTE, REFERENCE MATING NOTE, MATING TPA COL., CONF18 REQ COL., MATING CONN ASM COL. AND REVISED MAT'L CALLOUT TO GENERIC CALLOUT & MATERIAL RECYCLING CODE LABEL; 15326654 - REMOVED RESTRICTED STATUS; 13672060, 13658980 & 13672062 - RELEASED; 15326654 & 15326917 - ADDED NOTE FOR RECOMMENDED USAGE		402837	JTV	AUG RWR
28AU12	R	11	-	-	-	ALL PARTS - REVISED MATING FORCE NOTE AND ADDED CAVITIES COLUMN IN CHART		419436	APB	JAA OAF

PART NO	ITEM ID	REV	N/P	RECOMMENDED USAGE	TYPE	CONN	MATERIAL RECYCLING CODE	COLOR	PLR	CONN SEAL	CAVITIES
13672062	-	01	AA	-	212	13672061	POLYESTER COMPOUND	BLACK	15326912 / ID406337	15326913 / ID406338	12
13658980	-	01	AA	-	216	13658979	POLYESTER COMPOUND	BLACK	15326664 / ID406352	15326665 / ID406353	16
13672060	-	01	AA	-	210	13672059	POLYESTER COMPOUND	BLACK	15326658 / ID406330	15326659 / ID406332	10
13540547	-	01	AD	-	214	13540546	POLYESTER COMPOUND	BLACK	15326919 / ID406343	15326920 / ID406344	14
13538370	-	01	AC	-	208	13534968	POLYESTER COMPOUND	BLACK	15326652 / ID406319	15326653 / ID406320	8
15326917	ID406341	02	AF	DO NOT PROLIFERATE REPLACED BY 13540547	114	15326916 / ID406345	POLYAMIDE COMPOUND	BLACK	15326919 / ID406343	15326920 / ID406344	14
15326910	ID406335	02	AF	-	112	15326909 / ID406339	POLYAMIDE COMPOUND	BLACK	15326912 / ID406337	15326913 / ID406338	12
15326666	ID406334	02	AF	-	116	15326662 / ID406350	POLYAMIDE COMPOUND	BLACK	15326664 / ID406352	15326665 / ID406353	16
15326660	ID406334	02	AF	-	110	15326656 / ID406328	POLYAMIDE COMPOUND	BLACK	15326658 / ID406330	15326659 / ID406332	10
15326654	ID406322	02	AG	DO NOT PROLIFERATE REPLACED BY 13538370	108	15326650 / ID406317	POLYAMIDE COMPOUND	BLACK	15326652 / ID406319	15326653 / ID406320	8

- NOTES
- UNLESS OTHERWISE SPECIFIED AND/OR INDICATED: DIMENSIONS ARE TO FACE OF VIEW SHOWN AND AUTOMATICALLY ROUNDED BY COMPUTER FOR INSPECTION. (SEE MATH MODEL FOR PRECISE DIMENSIONS.) FOR ALL OTHER DIMENSIONS NOT SHOWN BUT REQUIRED FOR TOOL BUILD, SEE MATH MODEL FOR PRECISE TOOL PATH DATA.
 - SEALING CODE 4 - DESIGN WILL MEET REQUIREMENTS OF SAE/USCAR-2 CONNECTOR SYSTEM ENVIRONMENTAL TEST FLOWCHART (PRESSURE/VACUUM AND SUBMERSION).
 - ASSEMBLIES WITH 12 CAVITIES OR MORE, MATING FORCE WILL EXCEED 80N.
 - THIS PRODUCT IS NOT CATEGORIZED AS AN APPEARANCE ITEM, MINOR IMPERFECTIONS INCLUDING, BUT NOT LIMITED TO, FLOW MARKS, COLOR BLEMISHES, GATE VESTIGES, AND SOFT FLASH THAT DO NOT AFFECT THE FIT, FORM, OR FUNCTION OF THE PART ARE PERMISSIBLE PER DPNP-4.7-CS-01.
 - FOR APPLICATION DATA SEE THE INDIVIDUAL APPLICATION DRAWINGS.

DIMENSIONAL RANGE (MM)	TOLERANCE	CHART REF
FROM > 0 TO > 30	> 0.13	1
> 30 TO > 60	> 0.15	2
> 60 TO > 100	> 0.20	3
> 100 TO > 150	> 0.25	4
> 150 TO > 200	> 0.30	5
> 200 TO > 250	> 0.35	6
> 250 TO > 300	> 0.40	7
> 300 TO > 400	> 0.50	8

DELPHI
DELPHI PACKARD ELECTRICAL/ELECTRONIC ARCHITECTURE

INDICATES THAT PHYSICAL PARTS ARE NOT AVAILABLE FOR ORDERING.

PART NUMBERS THAT DO NOT HAVE A LINE PRESENT INDICATE THAT PHYSICAL PARTS ARE AVAILABLE FOR ORDERING.

CHARTER DELPHI SALES TO ASSURE AVAILABILITY

THIS DOCUMENT IS IN ACCORDANCE WITH ASME Y14.5M-1994 AS MODIFIED BY THE 2003 SUPPLEMENT AND TELEPHONING ADDENDUM-2001. SEPARATE PATTERNS OF FEATURES MAY BE SHOWN SEPARATELY, REGARDLESS OF DATUM REFERENCES.

ALL DIMENSIONS ARE IN MILLIMETERS

UNLESS OTHERWISE SPECIFIED

THIS DOCUMENT IS IN ACCORDANCE WITH ASME Y14.5M-1994 AS MODIFIED BY THE 2003 SUPPLEMENT AND TELEPHONING ADDENDUM-2001. SEPARATE PATTERNS OF FEATURES MAY BE SHOWN SEPARATELY, REGARDLESS OF DATUM REFERENCES.

ALL DIMENSIONS ARE IN MILLIMETERS

UNLESS OTHERWISE SPECIFIED

DIMENSIONS ENCLOSED IN () INDICATE REFERENCE DIMENSIONS AND NO TOLERANCE LIMITS ARE ESTABLISHED

THIRD ANGLE PROJECTION

DO NOT SCALE

USE MATH DATA

DATE: 09JUL97

DR: B. NABY

APV01: M. MCCALL

APV02: W. MCCALL

APV03: S.A. NORLING

APV04:

APV05:

SUBSTANCES OF CONCERN AND RECYCLED CONTENT PER DELPHI (024900)

DRAWING NUMBER: 15326672

SIZE: A0

SCALE: 2:1

FRAME NO: 1 OF 1

SHEET NO: 1 OF 1

STG: R

REV: 11

X-ON Electronics

Largest Supplier of Electrical and Electronic Components

Click to view similar products for [Automotive Connectors](#) category:

Click to view products by [APTIV](#) manufacturer:

Other Similar products are found below :

[003-018-000](#) [60993906-B](#) [M902-2131](#) [M902-2161](#) [M902-2344](#) [72.330.1035.1](#) [73.353.4028.0](#) [F166900](#) [F358300-B](#) [F407400](#) [776880-1](#)
[827153-1](#) [8N1515-32-24P](#) [9-1326729-8](#) [925474-1](#) [928905-1](#) [964562-4](#) [968782-1](#) [98891-1012](#) [12004475-L](#) [12020308](#) [12041318-B](#)
[12052466](#) [12064869](#) [12015909](#) [1-21030-1](#) [12041254](#) [12041318](#) [12047946-B](#) [12047957](#) [12110546-B](#) [12131792](#) [12092346](#) [HD34-18-14PT](#)
[HD46-24-23SN-059](#) [HDB36-24-16PN-059](#) [HDP26-24-9SE-L015](#) [12185280](#) [12185550](#) [12336-12](#) [12147304](#) [12191172-B](#) [12S](#) [13545280](#)
[13577943](#) [13681974](#) [13737722-B](#) [13755420](#) [13783086](#) [13830674](#)