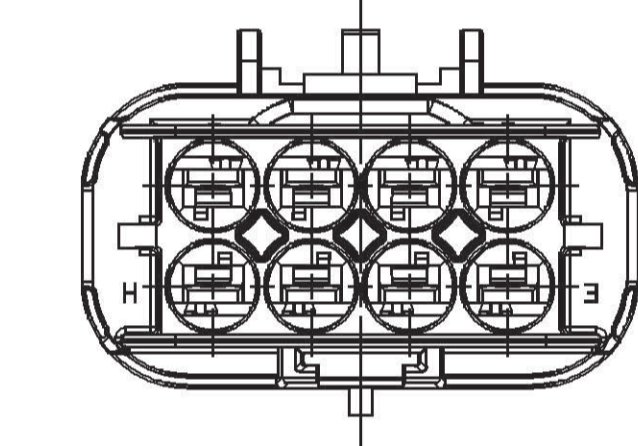
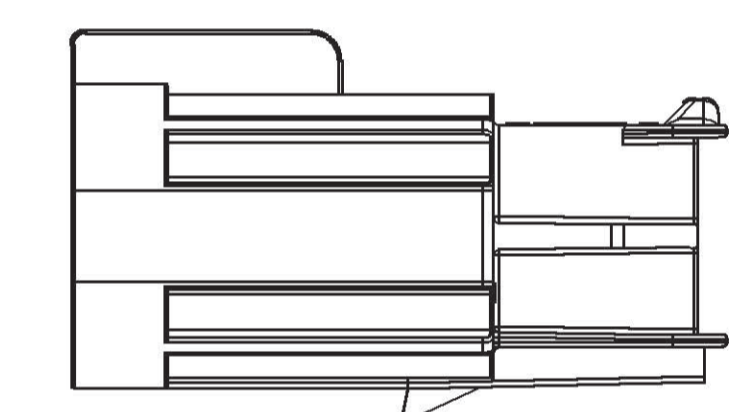
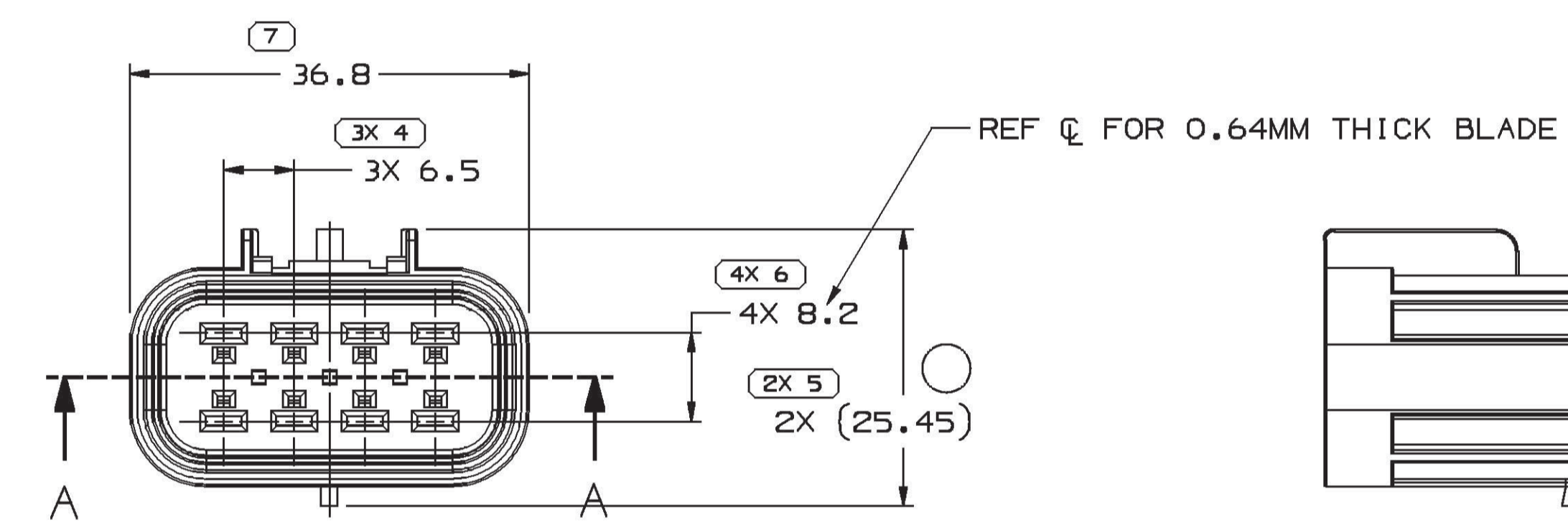
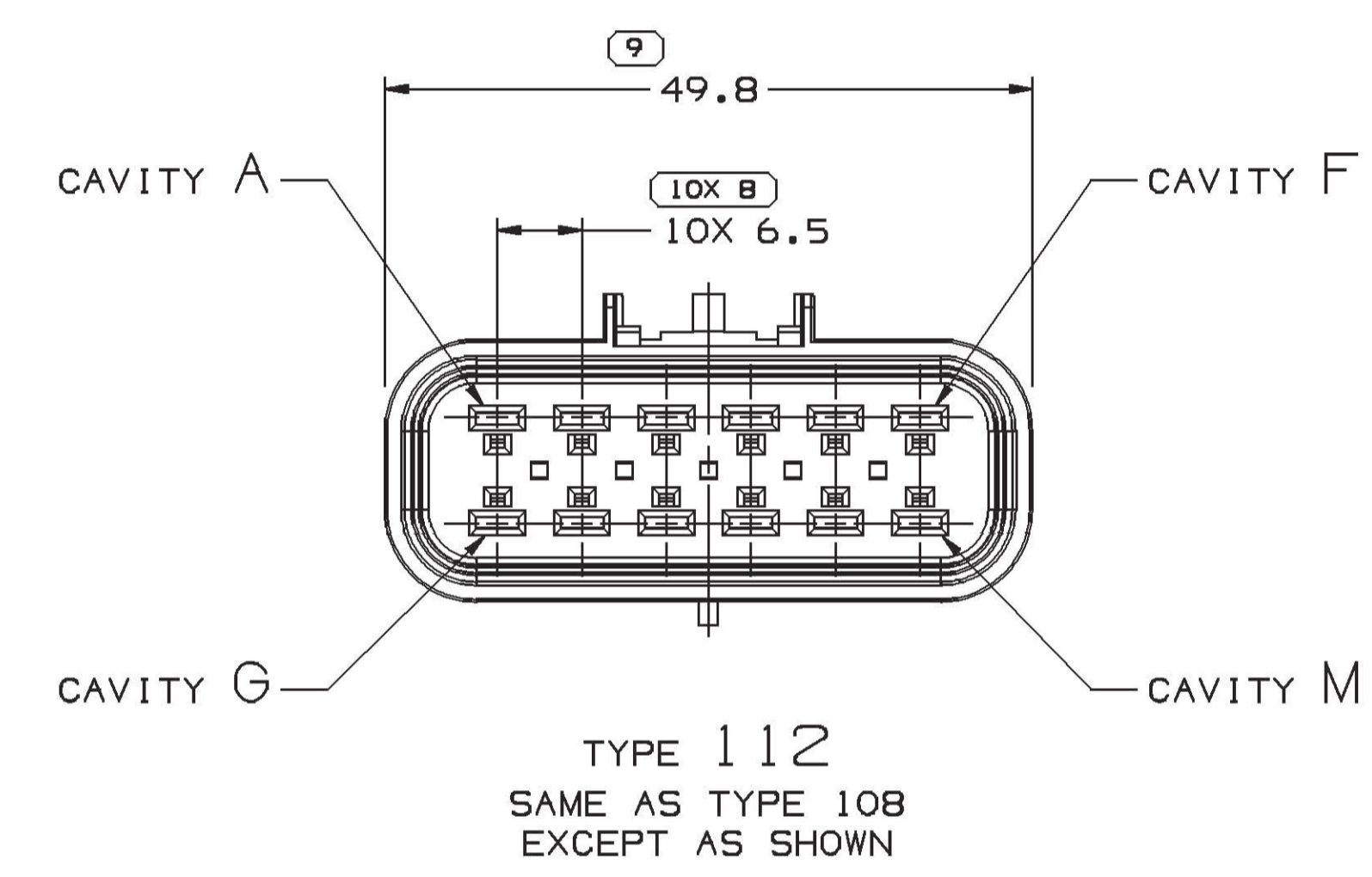
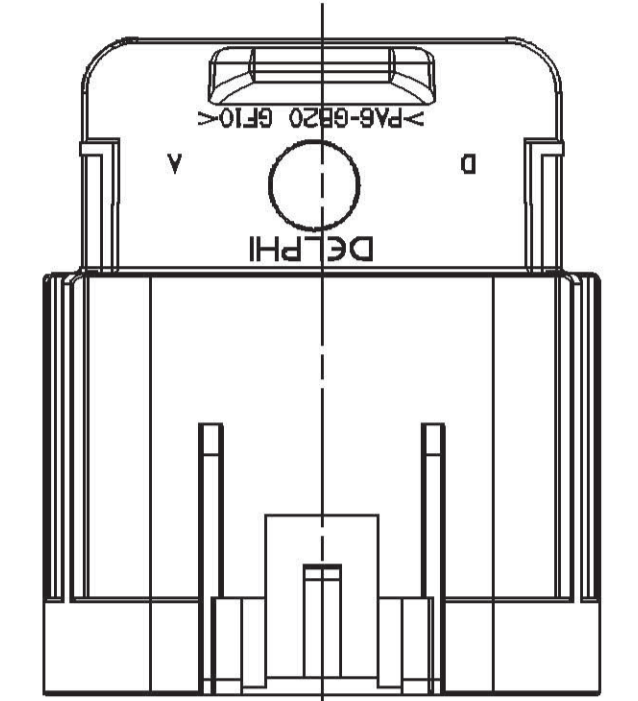
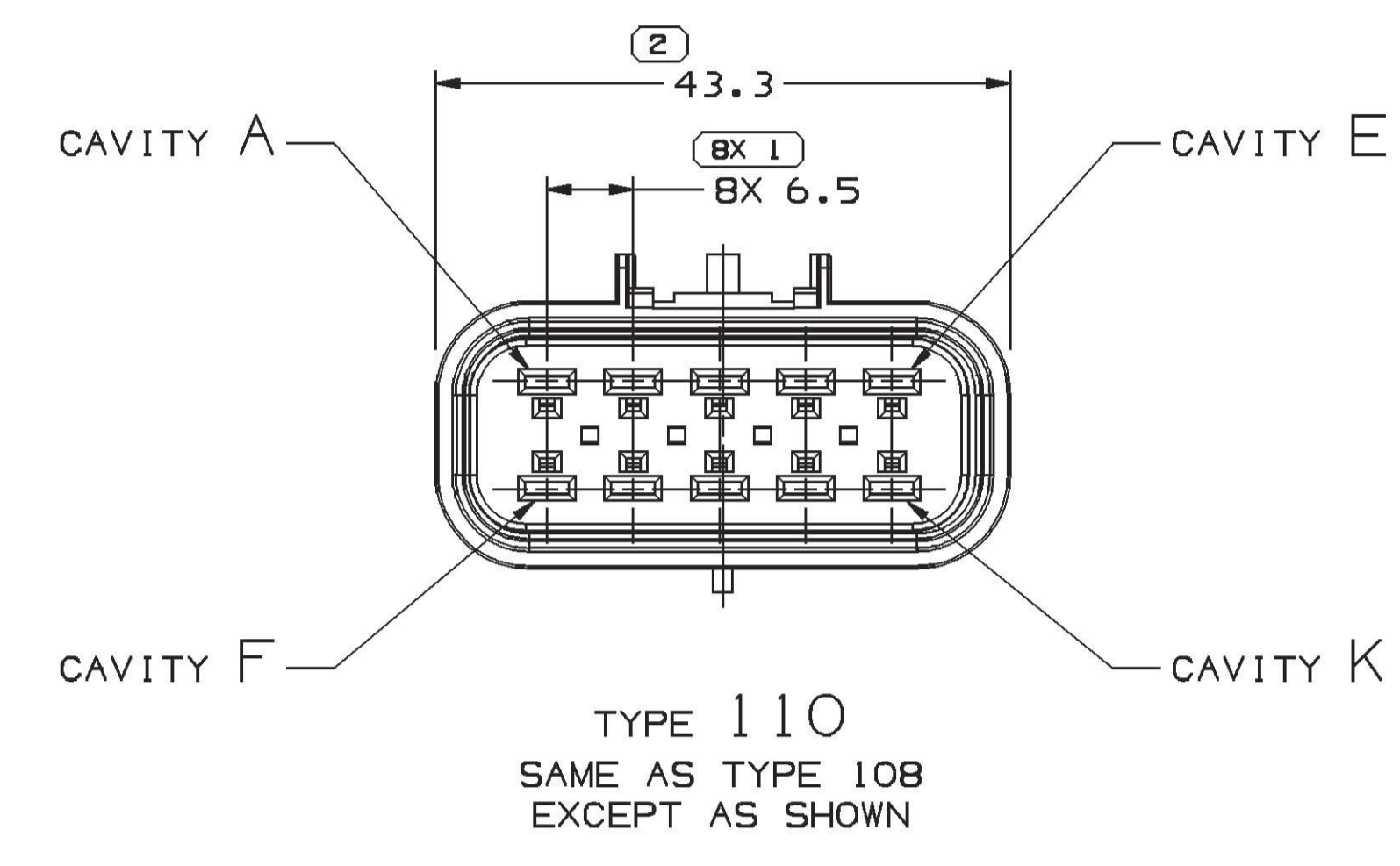
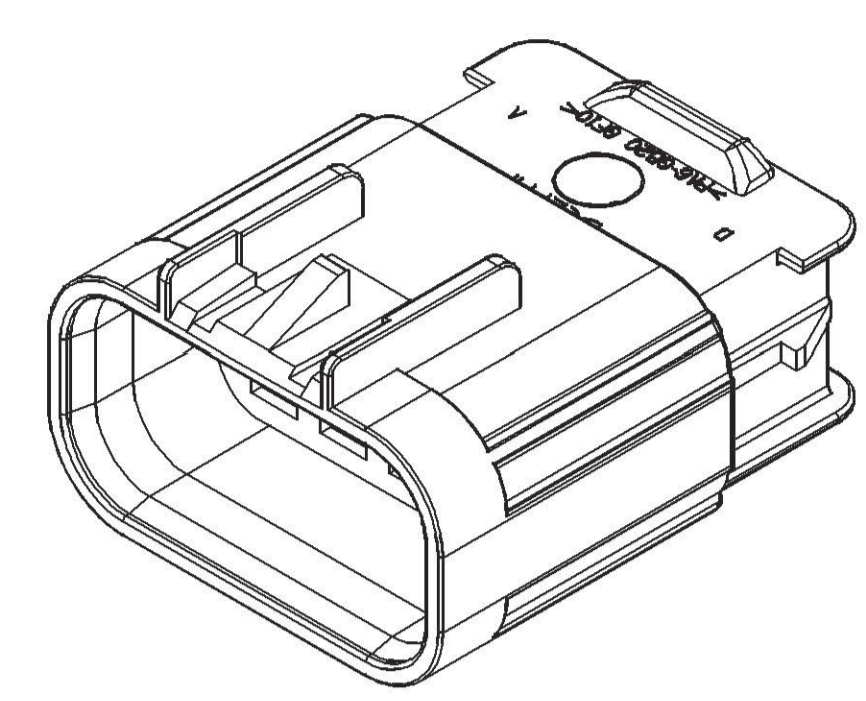
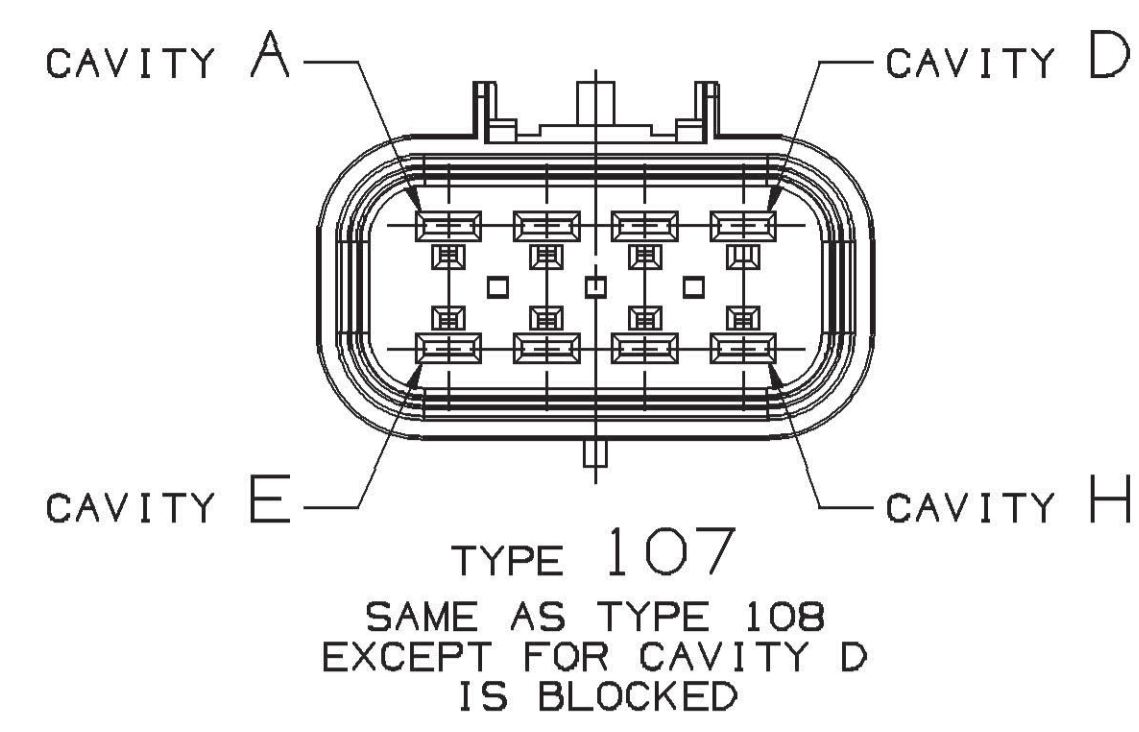
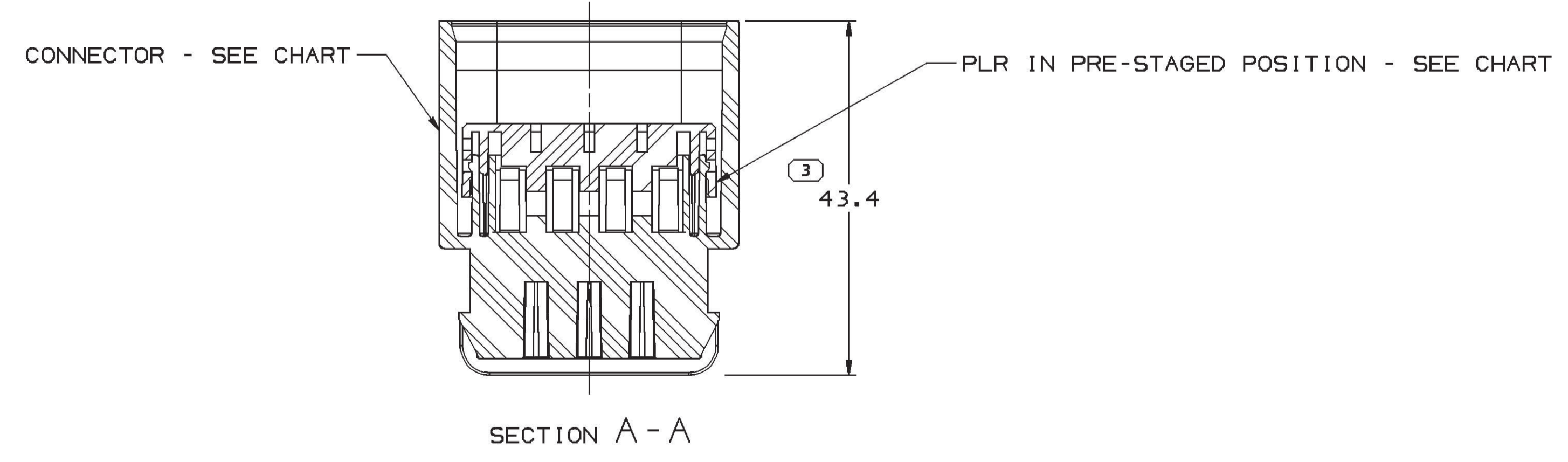
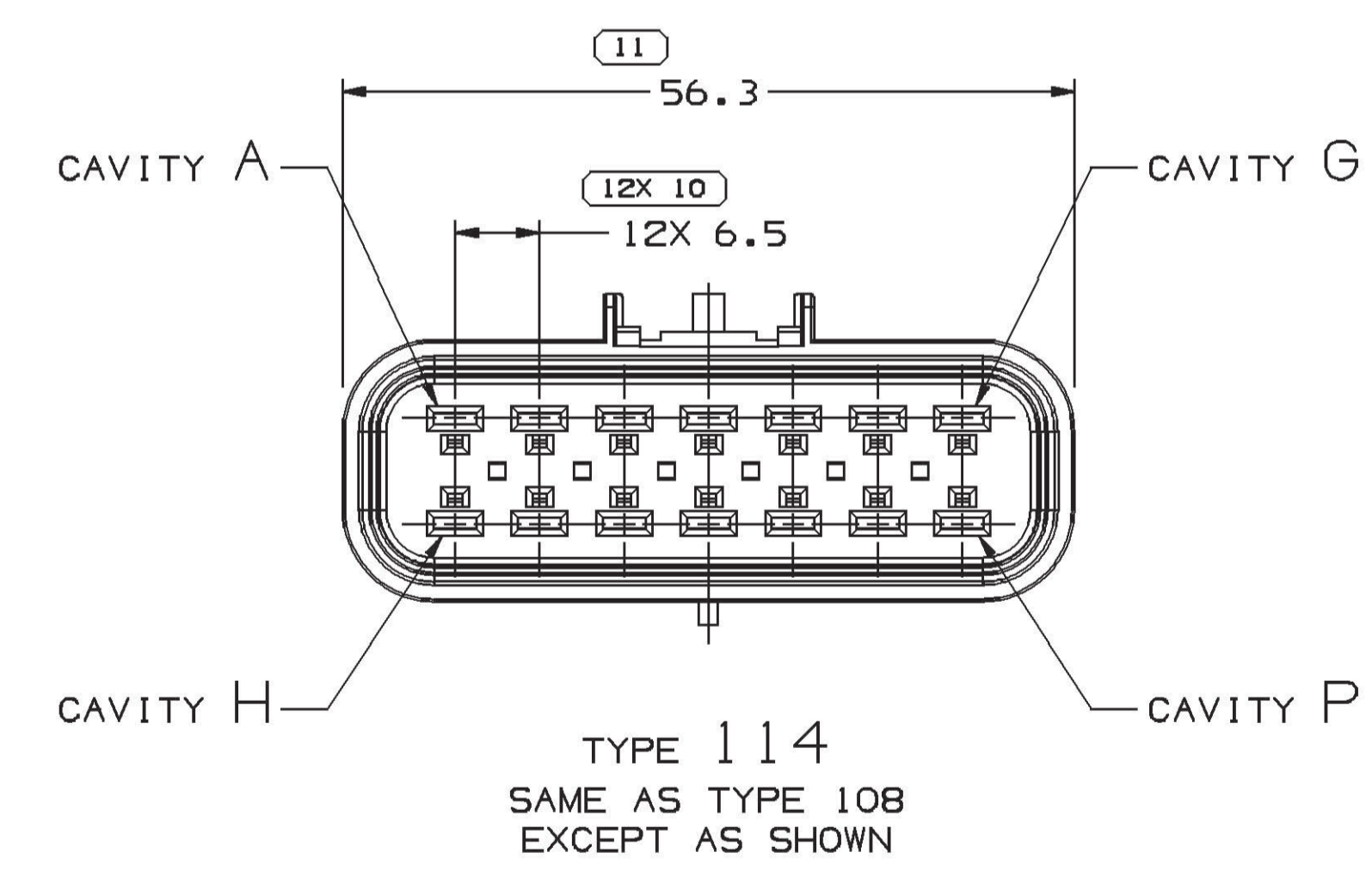


| SYMBOL DEFINITION | | TOTAL NO OF INSPECTIONS REQUIRED | MISSING SYMBOLS |
|--|--|----------------------------------|--------------------------|
| A DIMENSION WITHOUT AN INSPECTION REPORT SYMBOL DOES NOT REQUIRE INSPECTION. IT MAY BE CONTROLLED ON THE INDIVIDUAL COMPONENT DRAWING. | | 59 | NO MISSING SYMBOL NUMBER |
| | | LAST NO. USED | 13 |

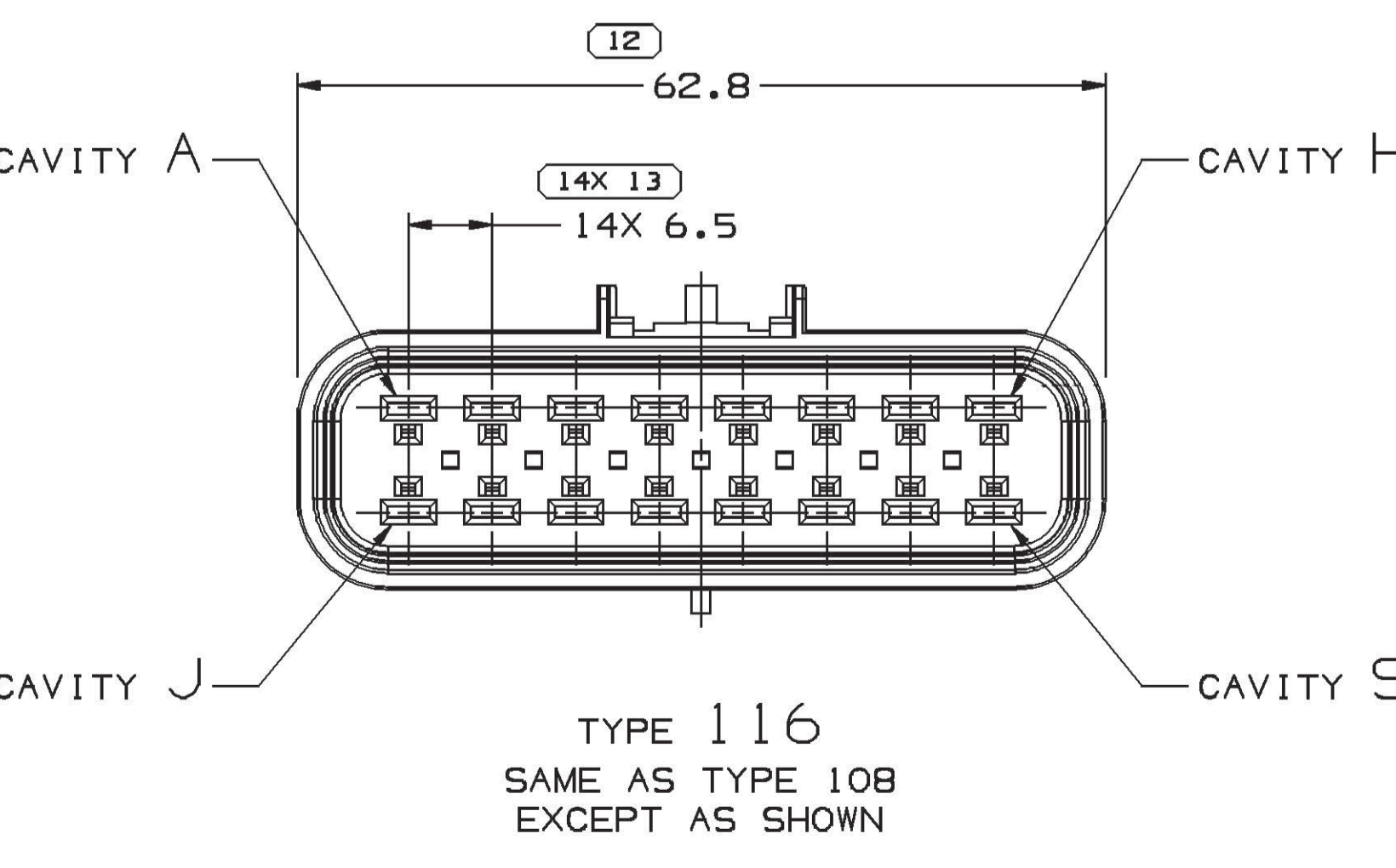
| DWG STATUS | | | | | | REVISION HISTORY | | | AUTH | DR | APVD | APVD |
|------------|-----|-----|-----|-----|------|---|--|--|--------|-----|------|------|
| DATE | STG | REV | N/P | CHG | ZONE | | | | | | | |
| 11JUL01 | R | 01 | - | - | - | ALL PARTS - ADDED NOTE 4 | | | 210804 | EVV | 081 | SAN |
| 26JNO3 | R | 02 | - | - | - | ALL PARTS - ADDED NOTE #3 AND NOTE #4, REMOVED PLASTIC NOTE 1, 15326655 AND 15326661 - ADDED MATING TPA | | | 243012 | TLD | TLD | SAN |
| 19DE05 | R | 03 | - | - | - | 13544513 - RELEASED | | | 275733 | JBD | JAA | JGS |
| 09AP07 | R | 04 | - | - | - | 15326655, 15326661, 15326667, 15326915 & 15326922 - UPDATED PDM ATTRIBUTES | | | 400967 | JPH | FKV | PYP |
| 12JNO9 | R | 05 | - | - | - | ALL PARTS - ADDED APPLICATION DATA & APPEARANCE ITEM NOTES AND REMOVED TPA & MATING COLUMNS FROM CHART | | | 408088 | EGR | EVV | VMR |
| 12AUI1 | R | 06 | - | - | - | ALL PARTS - 2X (25.45) WAS 2X 25.45 | | | 415083 | JEG | JAA | VMR |



TYPE 108



SECTION A-A



- NOTES
- UNLESS OTHERWISE SPECIFIED AND/OR INDICATED: DIMENSIONS ARE TO FACE OF VIEW SHOWN AND AUTOMATICALLY ROUNDED BY COMPUTER FOR INSPECTION (SEE MATH MODEL FOR PRECISE DIMENSIONS). FOR ALL OTHER DIMENSIONS NOT SHOWN BUT REQUIRED FOR TOOL BUILD, SEE MATH MODEL FOR PRECISE TOOL PATH DATA.
 - FOR APPLICATION DATA SEE THE INDIVIDUAL APPLICATION DRAWINGS.
 - THIS PRODUCT IS NOT CATEGORIZED AS AN APPEARANCE ITEM, MINOR IMPERFECTIONS INCLUDING, BUT NOT LIMITED TO, FLOW MARKS, COLOR BLEMISHES, GATE VESTIGE, AND SOFT FLASH THAT DO NOT AFFECT THE FIT, FORM, OR FUNCTION OF THE PART ARE PERMISSIBLE PER DPNP-4.7-CS-01.
 - SEALING CODE 4 - DESIGN WILL MEET REQUIREMENTS OF SAE/USCAR-2 CONNECTOR SYSTEM ENVIRONMENTAL TEST FLOWCHART (PRESSURE/VACUUM AND SUBMERSION).

| PART NO | REV | N/P | STATUS | TYPE | CONNECTOR | PLR |
|---------------------|-----|-----|--------|------|---------------------|---------------------|
| 13544513 | 01 | AB | - | 107 | 13544512 | 15326652 / ID406319 |
| 15326922 / ID406342 | A5 | - | - | 114 | 15326921 / ID406346 | 15326919 / ID406343 |
| 15326915 / ID406336 | A5 | - | - | 112 | 15326914 / ID406340 | 15326912 / ID406337 |
| 15326667 / ID406347 | A5 | - | - | 116 | 15326663 / ID406351 | 15326664 / ID406352 |
| 15326661 / ID406329 | A5 | - | - | 110 | 15326657 / ID406333 | 15326658 / ID406330 |
| 15326655 / ID406321 | A5 | - | - | 108 | 15326651 / ID406318 | 15326652 / ID406319 |

| DIMENSIONAL RANGE (MM) | | CHART SET | |
|------------------------|-----|-----------|------|
| FROM | > 0 | > 20 | > 30 |
| TO | 20 | 30 | 40 |

| THIRD ANGLE PROJECTION | DO NOT SCALE |
|------------------------|--------------|
| | |

| SIZE | SCALE | FRAME NO | SHEET NO | STG | REV | N/P |
|------|-------|----------|----------|-----|-----|-----|
| A0 | 2:1 | 1 | 1 | 1 | R | 06 |

DELPHI
DELPHI PACKARD ELECTRICAL/ELECTRONIC ARCHITECTURE
WARREN, OH

DRW TYPE: PART DRAWING

STYLE:

VOLUME (QWP):

DISTR CODE:

UNLESS OTHERWISE SPECIFIED
THIS DOCUMENT IS IN ACCORDANCE WITH ASME Y14.5M-1994 AS MODIFIED BY THE 2003 SUPPLEMENT AND TELEPHANING ADDENDUM-2001. SEPARATE PATTERNS OF FEATURES MAY BE SHOWN SEPARATELY, REGARDLESS OF DATA REFERENCES.

ALL DIMENSIONS ARE IN MILLIMETERS

REFERENCE:

THIS DOCUMENT IS THE PROPERTY OF DELPHI. IT IS TO BE USED ONLY FOR THE PROJECT AND FOR THE QUANTITY SPECIFIED. IT IS NOT TO BE REPRODUCED OR TRANSMITTED IN ANY FORM OR BY ANY MEANS, ELECTRONIC OR MECHANICAL, INCLUDING PHOTOCOPYING, RECORDING, OR BY ANY INFORMATION STORAGE AND RETRIEVAL SYSTEM, WITHOUT PERMISSION IN WRITING FROM DELPHI.

DATE: 25 JUL 97

APV01: M. MCCALL

APV02: M. MCCALL

APV03: S. A. NORLING

APV04:

SUBSTANCES OF CONCERN AND RECYCLED CONTENT PER DELPHI 10049901

MATERIAL: SEE CHART

DRAWING NAME: TAXI ASM CONN M GT 280 SLD

DRAWING NUMBER: 15326673

X-ON Electronics

Largest Supplier of Electrical and Electronic Components

Click to view similar products for [Automotive Connectors](#) category:

Click to view products by [APTIV](#) manufacturer:

Other Similar products are found below :

[003-018-000](#) [60993906-B](#) [M902-2131](#) [M902-2161](#) [M902-2344](#) [72.330.1035.1](#) [73.353.4028.0](#) [F166900](#) [F358300-B](#) [F407400](#) [776880-1](#)
[827153-1](#) [8N1515-32-24P](#) [9-1326729-8](#) [925474-1](#) [928905-1](#) [964562-4](#) [968782-1](#) [98891-1012](#) [12004475-L](#) [12020308](#) [12041318-B](#)
[12052466](#) [12064869](#) [12015909](#) [1-21030-1](#) [12041254](#) [12041318](#) [12047946-B](#) [12047957](#) [12110546-B](#) [12131792](#) [12092346](#) [HD34-18-14PT](#)
[HD46-24-23SN-059](#) [HDB36-24-16PN-059](#) [HDP26-24-9SE-L015](#) [12185550](#) [12147304](#) [12191172-B](#) [12S](#) [13545280](#) [13681974](#) [13737722-B](#)
[13755420](#) [13783086](#) [13830674](#) [13832576](#) [13849772](#) [13522378](#)