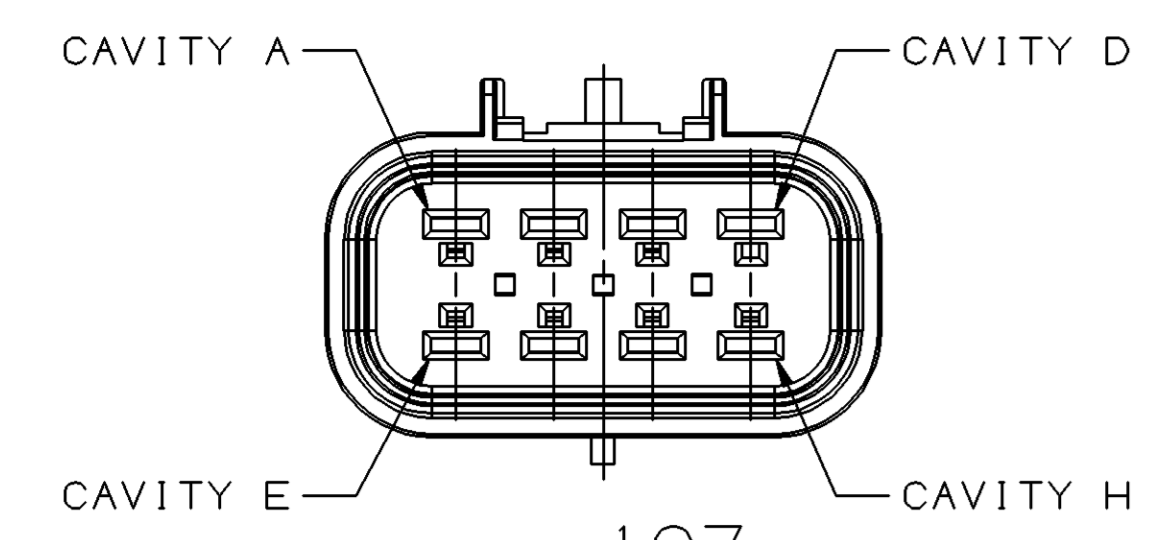
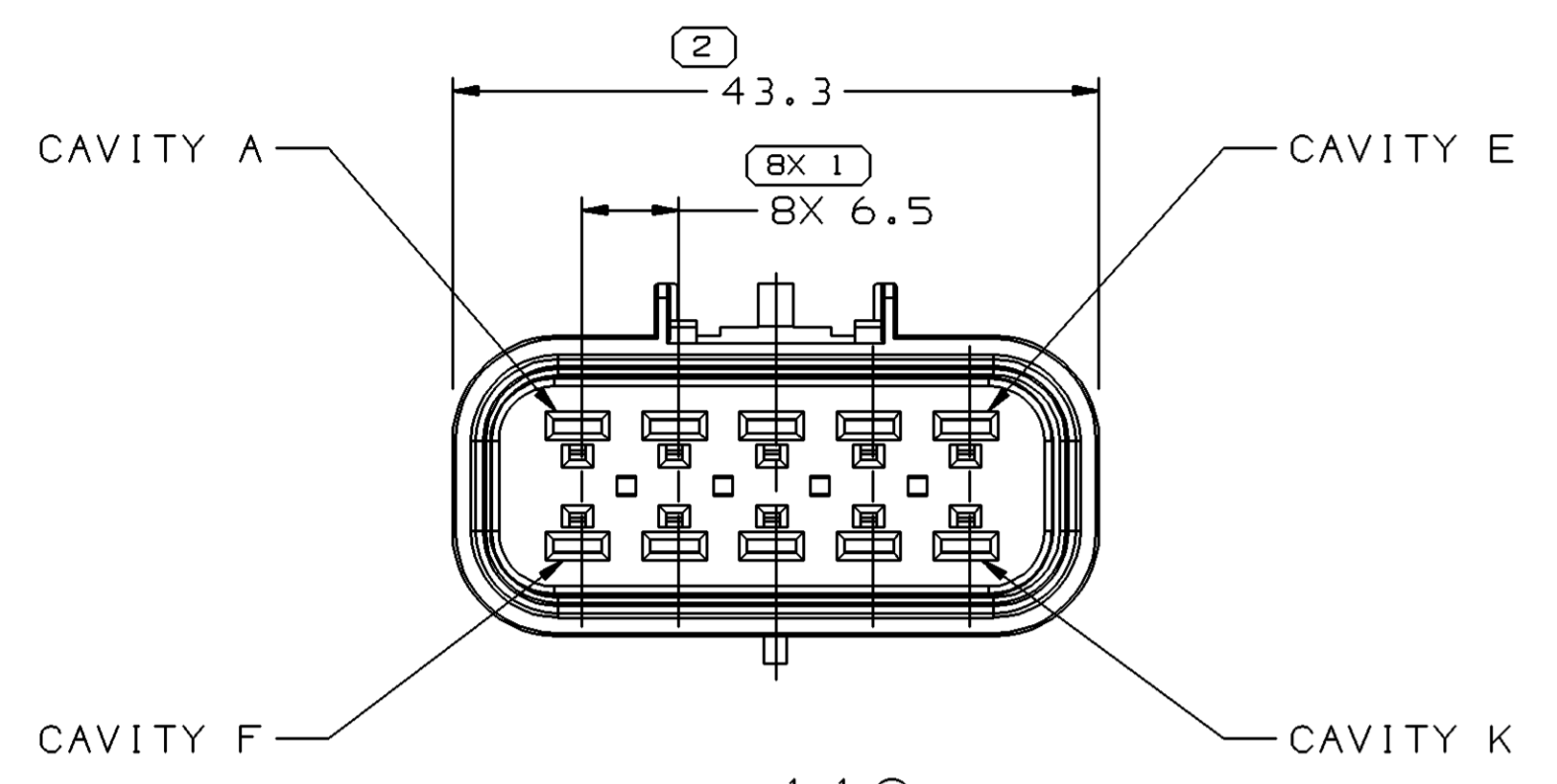


SYMBOL DEFINITION		TOTAL NO OF INSPECTIONS REQUIRED		MISSING SYMBOLS	
A	DIMENSION WITHOUT AN INSPECTION REPORT SYMBOL DOES NOT REQUIRE INSPECTION. IT MAY BE CONTROLLED ON THE INDIVIDUAL COMPONENT DRAWING.	59		NO MISSING SYMBOL NUMBER	
		LAST NO. USED	13		

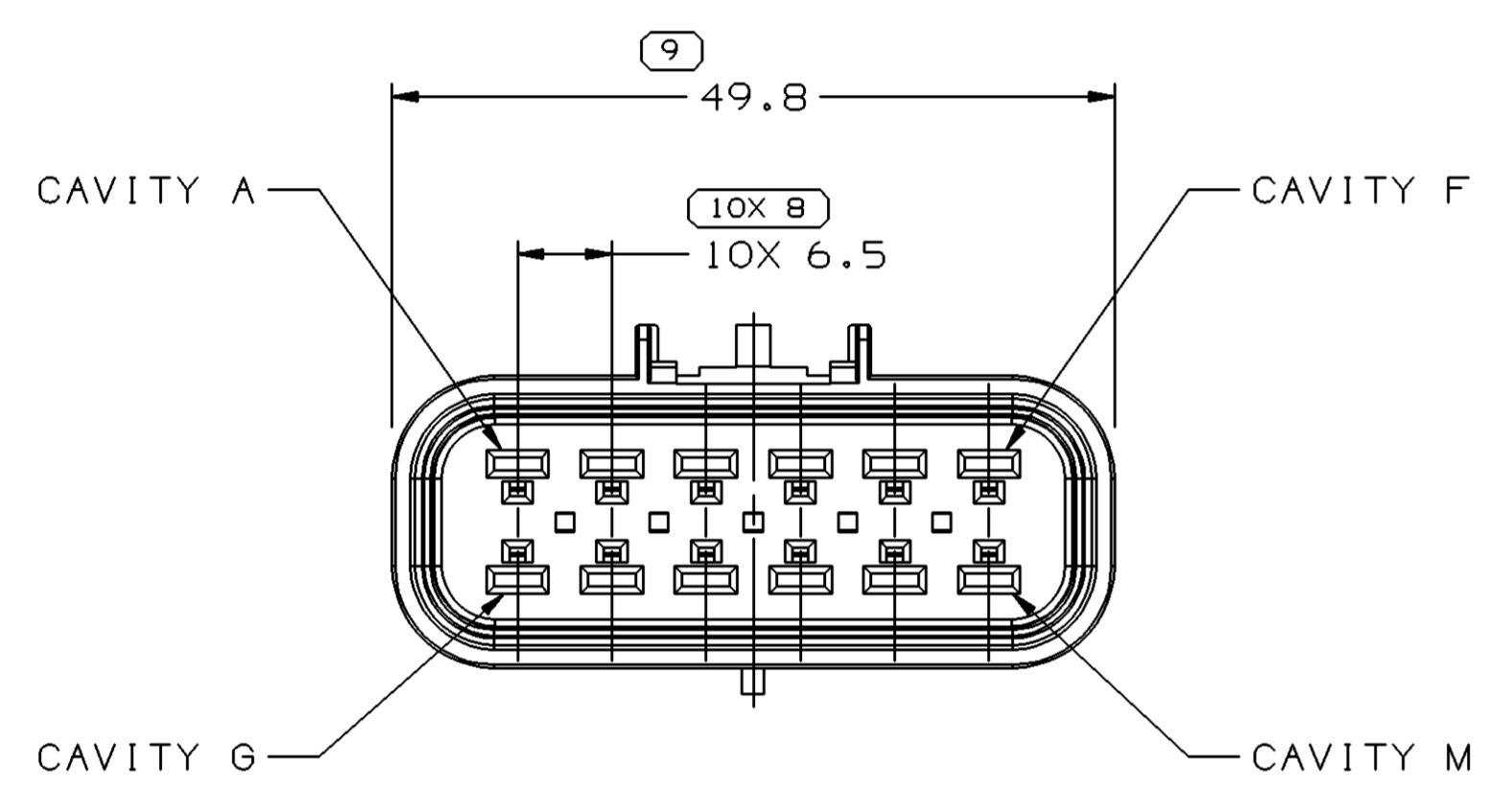
DATE	STG	REV	N/P	CHG	ZONE	REVISION HISTORY	AUTH	DR	APVD
11JUL01	R	01	-	-		ALL PARTS - ADDED NOTE 4	210804	EVV	GG1
26JUN03	R	02	-	-		ALL PARTS - ADDED NOTE #3 AND NOTE #4, REMOVED PLASTIC NOTE; 15326655 AND 15326661 - ADDED MATING TPA	243012	TLD	TLD
19OCT05	R	03	-	-		13544513 - RELEASED	275733	JBD	JAA



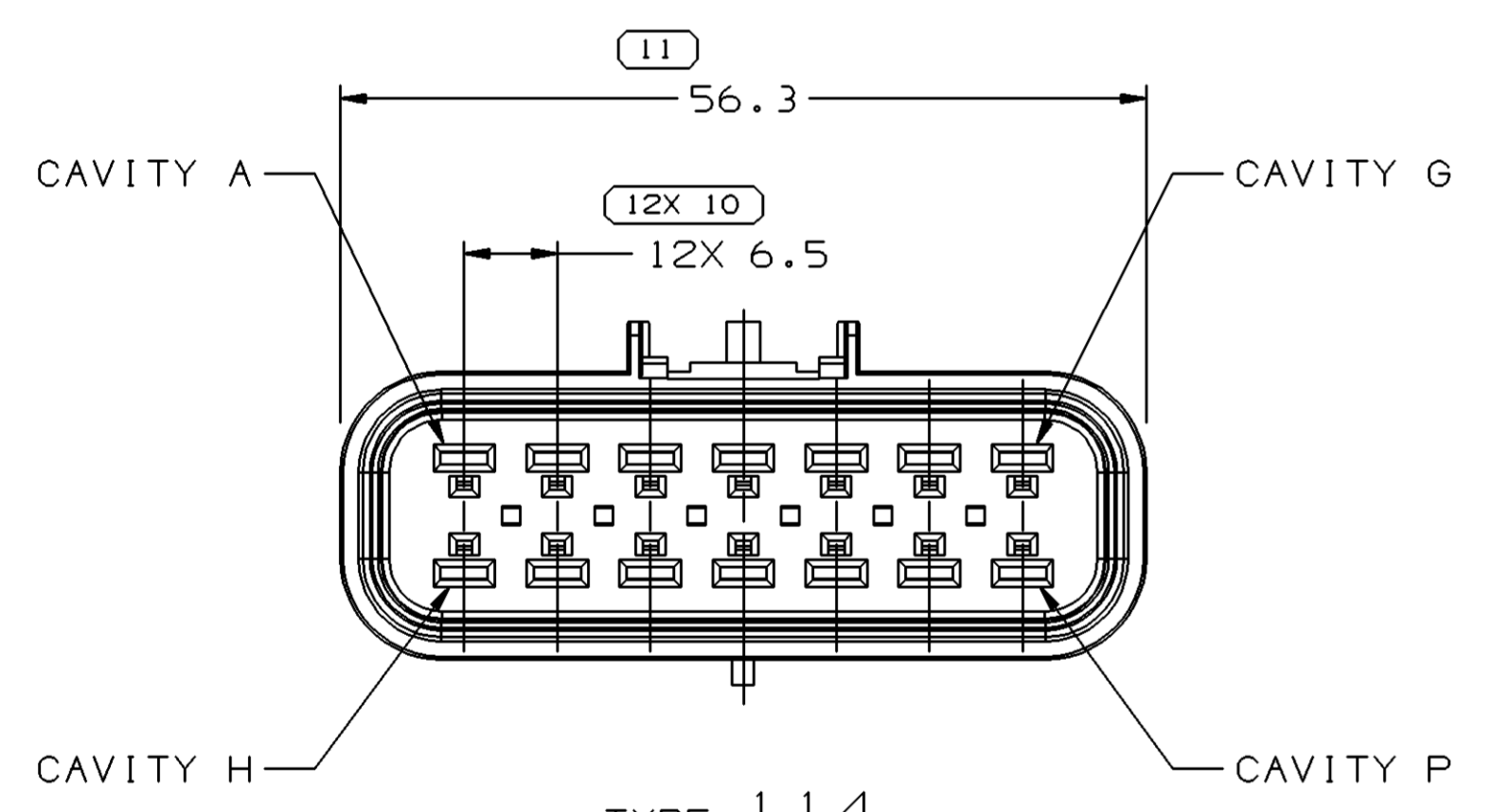
TYPE 107
SAME AS TYPE 108
EXCEPT FOR CAVITY D
IS BLOCKED



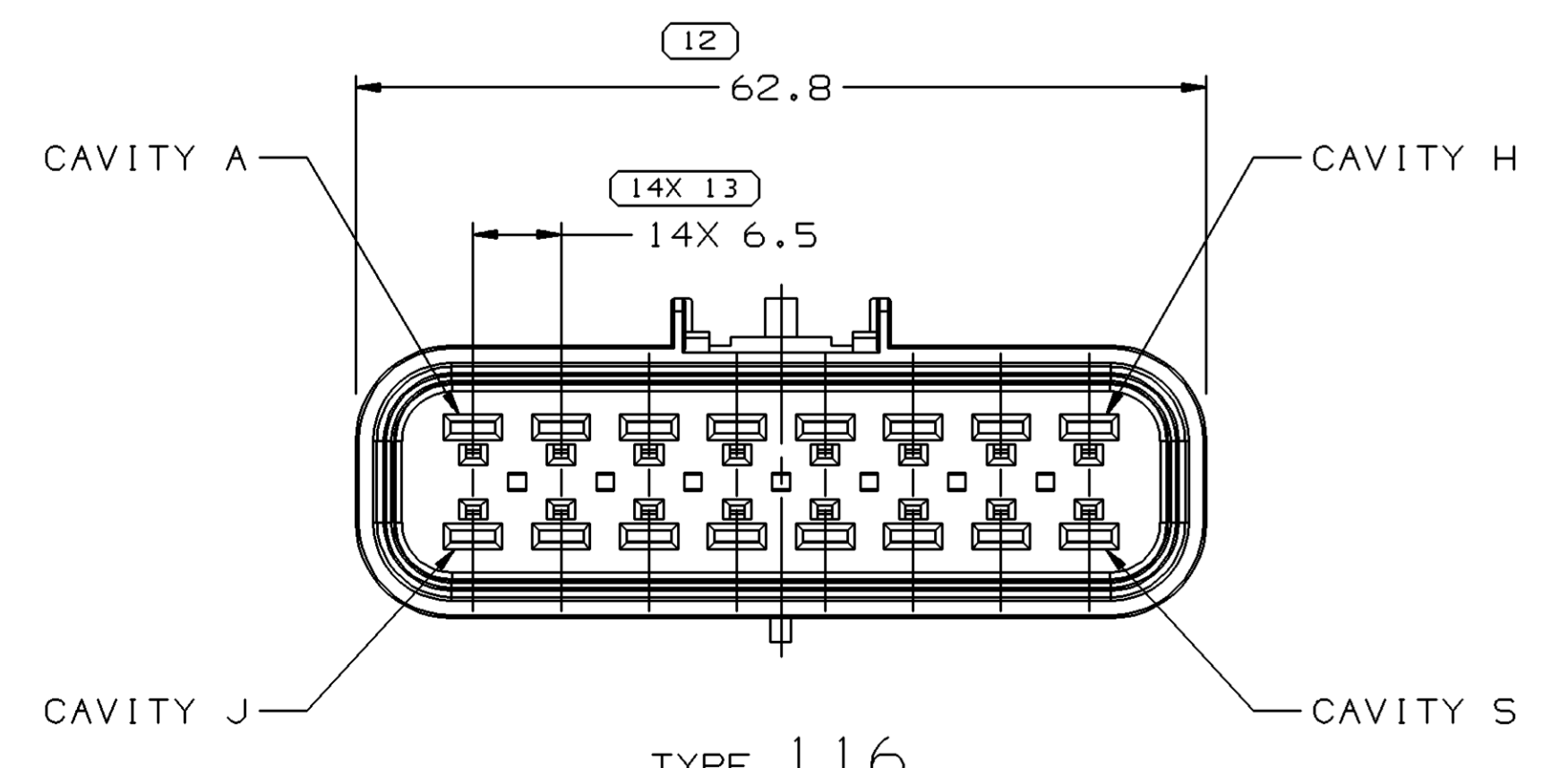
TYPE 110
SAME AS TYPE 108
EXCEPT AS SHOWN



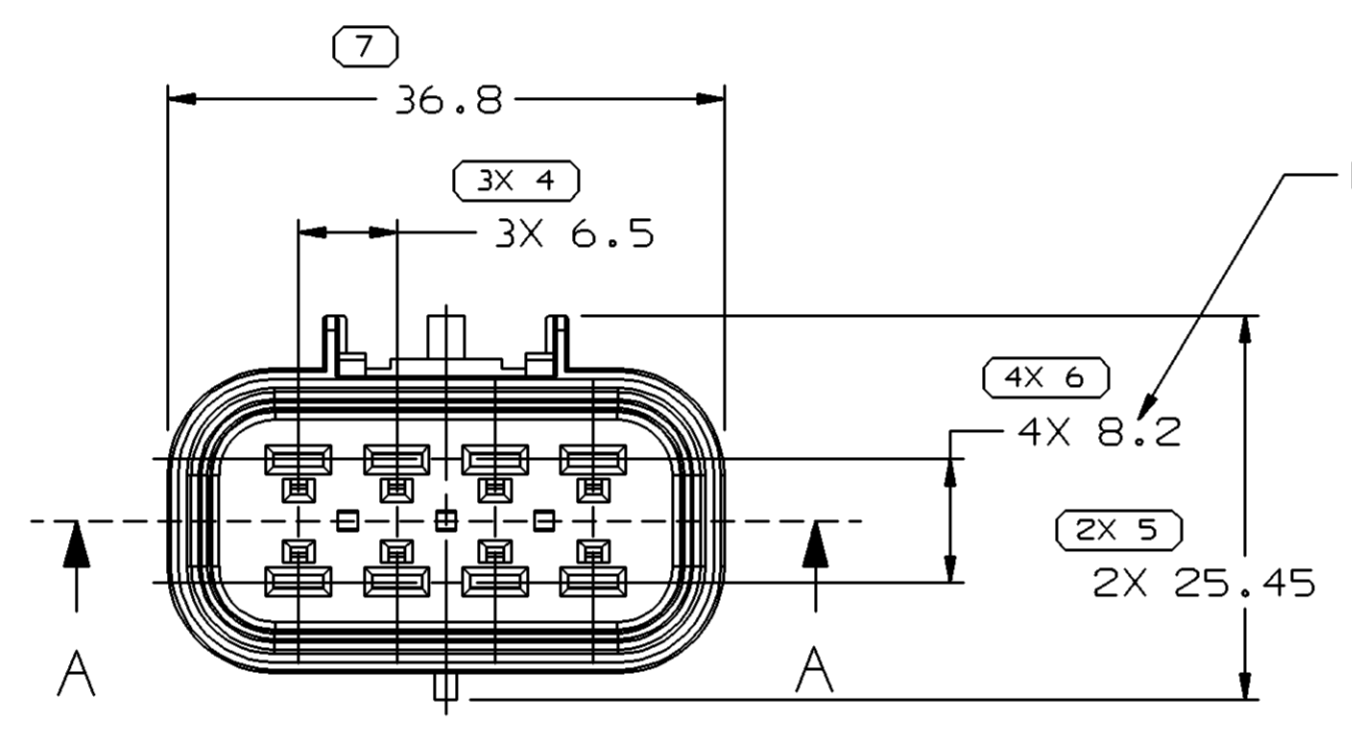
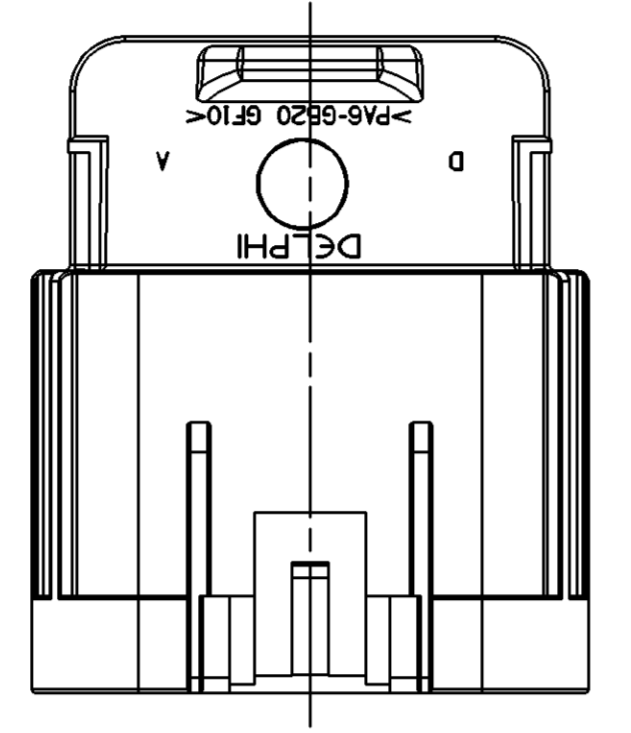
TYPE 112
SAME AS TYPE 108
EXCEPT AS SHOWN



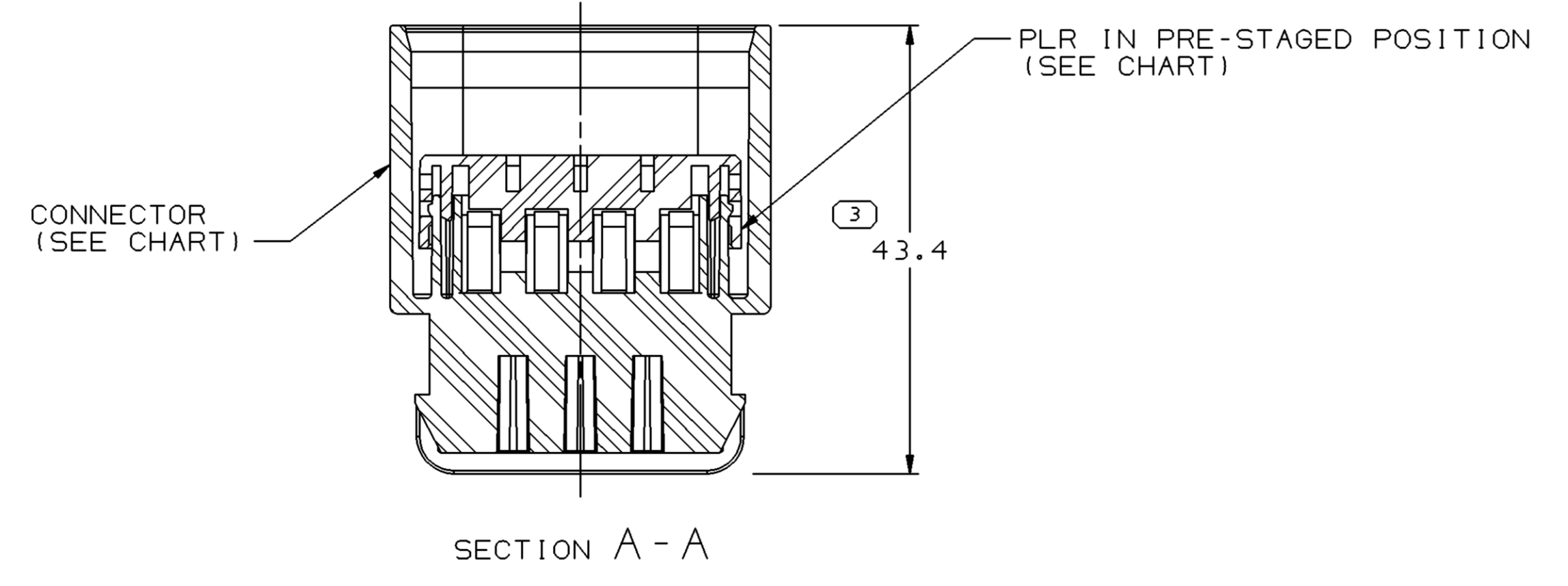
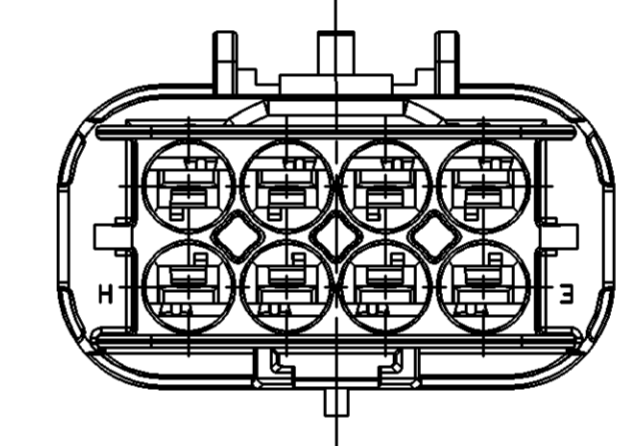
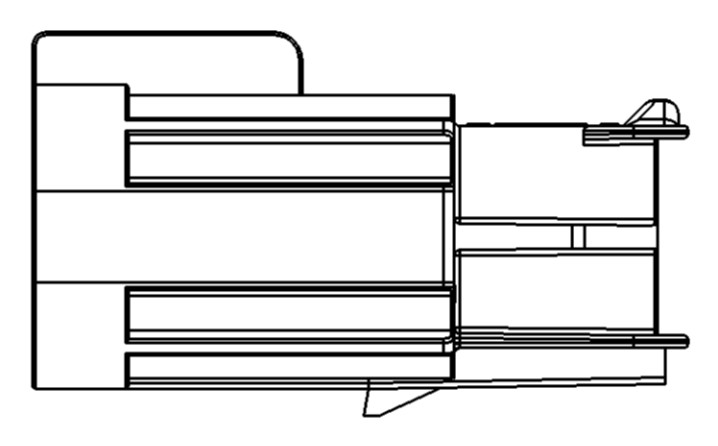
TYPE 114
SAME AS TYPE 108
EXCEPT AS SHOWN



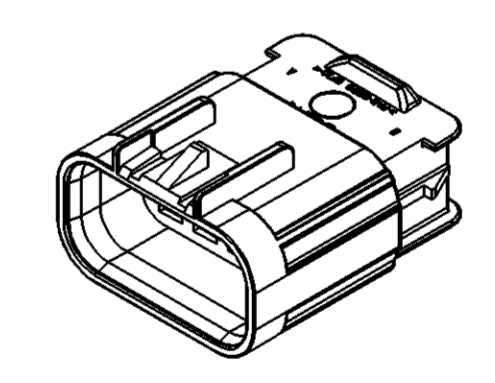
TYPE 116
SAME AS TYPE 108
EXCEPT AS SHOWN



TYPE 108



SECTION A - A



- NOTES
- UNLESS OTHERWISE SPECIFIED AND/OR INDICATED: DIMENSIONS ARE TO FACE OF VIEW SHOWN AND AUTOMATICALLY ROUNDED BY COMPUTER FOR INSPECTION (SEE MATH MODEL FOR PRECISE DIMENSIONS). FOR ALL OTHER DIMENSIONS NOT SHOWN BUT REQUIRED FOR TOOL BUILD, SEE MATH MODEL FOR PRECISE TOOL PATH DATA.
 - MATING COMPONENTS OR EQUIVALENT: ASSEMBLY CONNECTOR SEE CHART
 - THIS PART ACCEPTS THE FOLLOWING COMPONENTS OR EQUIVALENT: TERMINAL 15304730, CABLE SEAL 12191232, TERMINAL POSITION ASSURANCE LOCK SEE CHART, METAL CLIP SEE 08900009 TAXI, PLASTIC CLIP SELF-LOCK TYPE (REF 15358639)
 - SEALING CODE 4 - DESIGN WILL MEET REQUIREMENTS OF SAE/USCAR-2 CONNECTOR SYSTEM ENVIRONMENTAL TEST FLOWCHART (PRESSURE/VACUUM AND SUBMERSTION).

PART NO	REV	N/P	STATUS	TYPE	CONNECTOR	PLR	MATING CONN ASM	MATING TPA
13544513	01	-	-	107	13544512	15326652 / ID406319	15326654 / ID406322	15430896
15326922 / ID406342	A2	-	-	114	15326921 / ID406346	15326919 / ID406343	15326917 / ID406341	
15326915 / ID406336	A2	-	-	112	15326914 / ID406340	15326912 / ID406337	15326910 / ID406335	
15326667 / ID406347	A2	-	-	116	15326663 / ID406351	15326664 / ID406352	15326666 / ID406349	
15326661 / ID406329	A2	-	-	110	15326657 / ID406333	15326658 / ID406330	15326660 / ID406334	15430900
15326655 / ID406321	A2	-	-	108	15326651 / ID406318	15326652 / ID406319	15326654 / ID406322	15430896

DIMENSIONAL RANGE (MM)	TOLERANCE
FROM 0 TO >20	±0.3
>20 TO >30	±0.4
>30 TO >70	±0.5
>70 TO >100	±0.6
>100 TO >150	±0.8
>150 TO >200	±1.0
>200 TO >250	±1.2
>250 TO >300	±1.5
>300 TO >400	±2.0

DATE	SCALE	FRAME NO	SHEET NO	REV	N/P
25JUL97	2:1	1	1	1	03

DELPHI
DELPHI PACKARD ELECTRIC SYSTEMS
WARREN, OH

DR B. NAGY
APVD1 M. MCCALL
APVD2 M. MCCALL
APVD3 S. A. NORLING
APVD4
APVD5

DATE: 07MR97
25JUL97
25JUL97
03OC97

UNLESS OTHERWISE SPECIFIED
THIS DOCUMENT IS IN ACCORDANCE WITH ASME Y14.5M-1994
AS MODIFIED BY THE DIMENSIONING AND TOLERANCING ADDENDUM-2003. SEPARATE PATTERNING OF FEATURES MAY BE OBTAINED SEPARATELY REGARDLESS OF DATUM REFERENCE.

ALL DIMENSIONS ARE IN MILLIMETERS

THIRD ANGLE PROJECTION

DO NOT SCALE

USE MATH DATA

UNLESS OTHERWISE SPECIFIED
(N/A) PROCESS SENSITIVE DIMENSION
DIMENSIONS ENCLOSED IN () INDICATE RETRACTIVE DIMENSIONS AND NO TOLERANCE LIMITS ARE ESTABLISHED

DRAWING NAME: TAXI ASM CONN M GT 280 SLD

DRAWING NUMBER: 15326673

X-ON Electronics

Largest Supplier of Electrical and Electronic Components

Click to view similar products for [Automotive Connectors](#) category:

Click to view products by [APTIV](#) manufacturer:

Other Similar products are found below :

[003-018-000](#) [60993906-B](#) [M902-2131](#) [M902-2161](#) [M902-2344](#) [72.330.1035.1](#) [73.353.4028.0](#) [F166900](#) [F358300-B](#) [F407400](#) [776880-1](#)
[827153-1](#) [8N1515-32-24P](#) [9-1326729-8](#) [925474-1](#) [928905-1](#) [964562-4](#) [968782-1](#) [98891-1012](#) [12004475-L](#) [12020308](#) [12041318-B](#)
[12052466](#) [12064869](#) [12015909](#) [1-21030-1](#) [12041254](#) [12041318](#) [12047946-B](#) [12110546-B](#) [12131792](#) [12084688](#) [12092346](#) [HD34-18-14PT](#)
[HD46-24-23SN-059](#) [HDB36-24-16PN-059](#) [HDP26-24-9SE-L015](#) [12185280](#) [12185550](#) [12336-12](#) [12191172-B](#) [12S](#) [13545280](#) [13577943](#)
[13681974](#) [13737722-B](#) [13830674](#) [13832576](#) [13849772](#) [13542772](#)