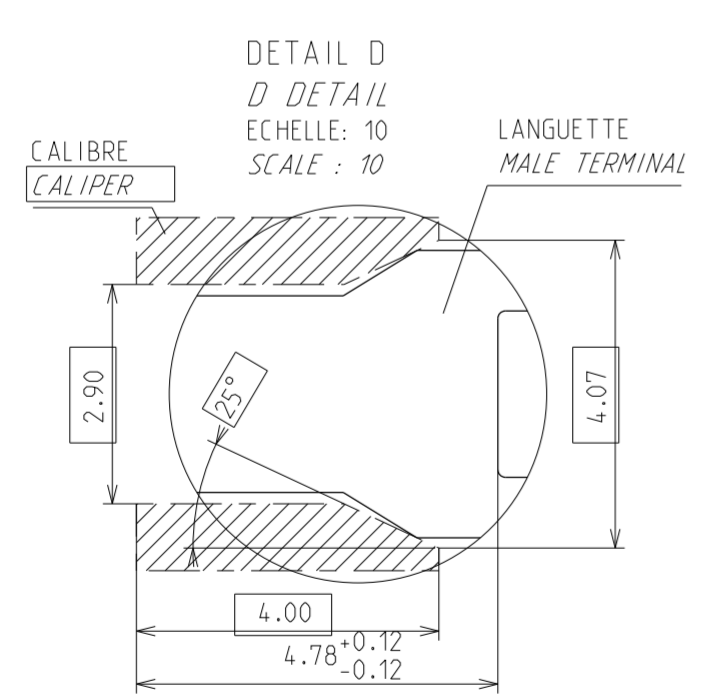
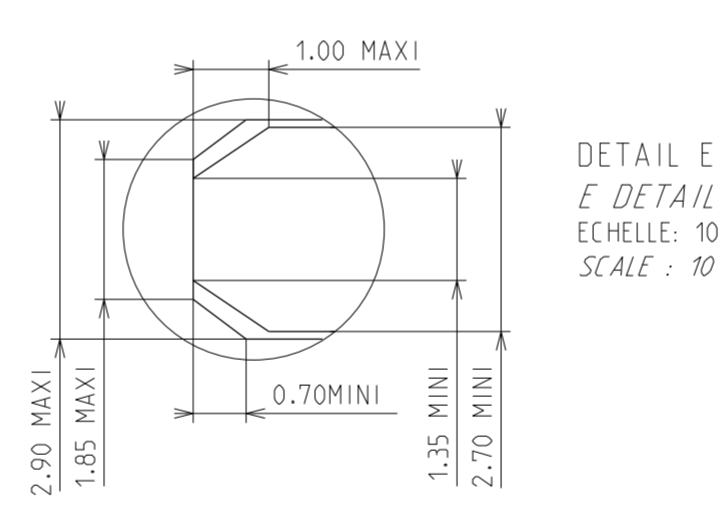
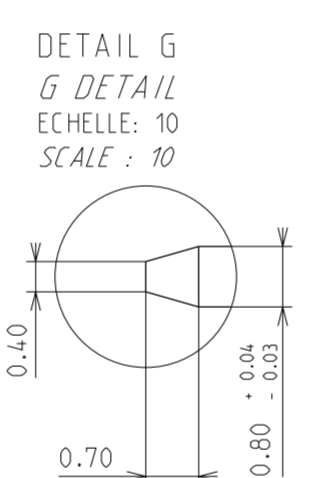
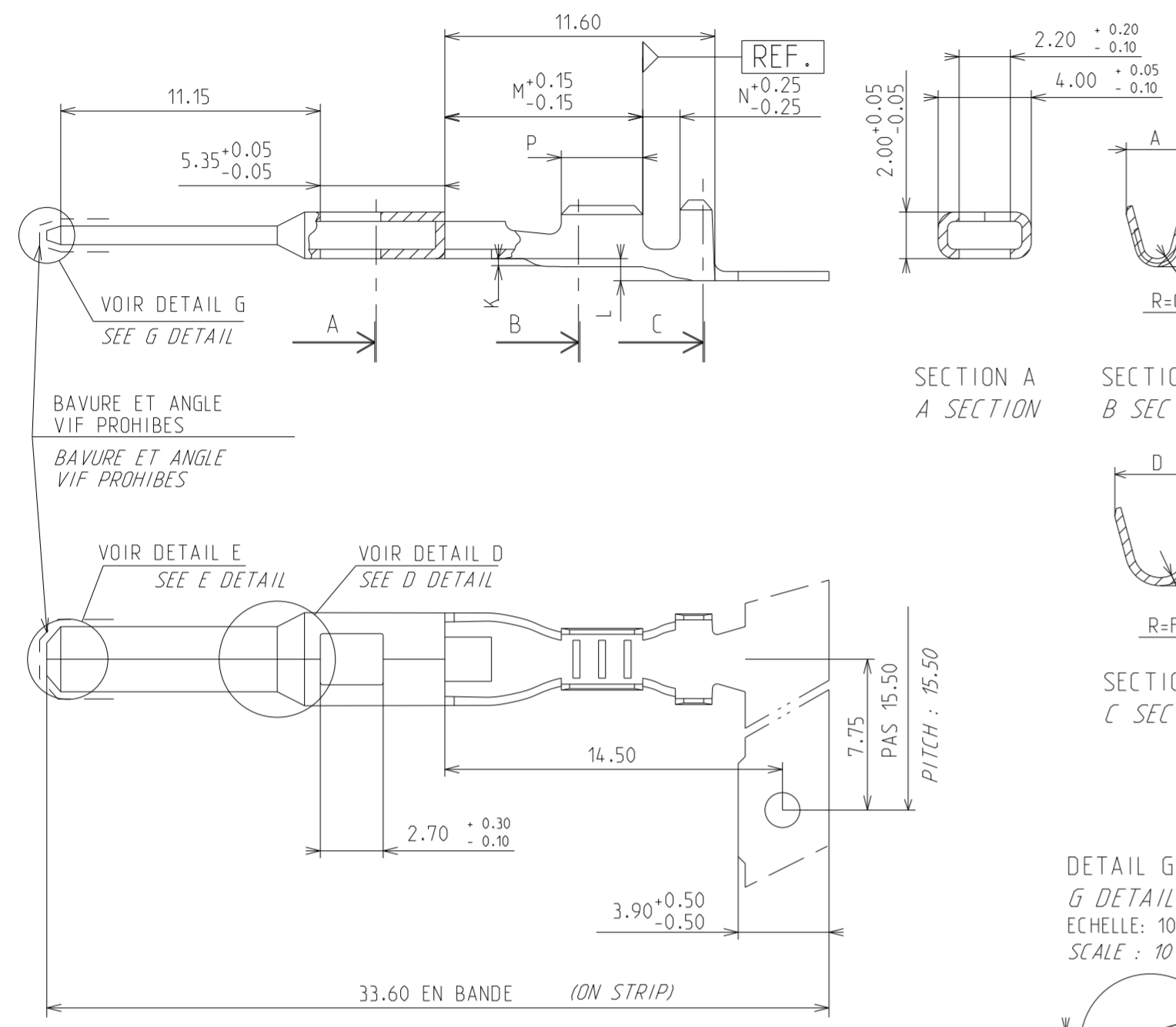


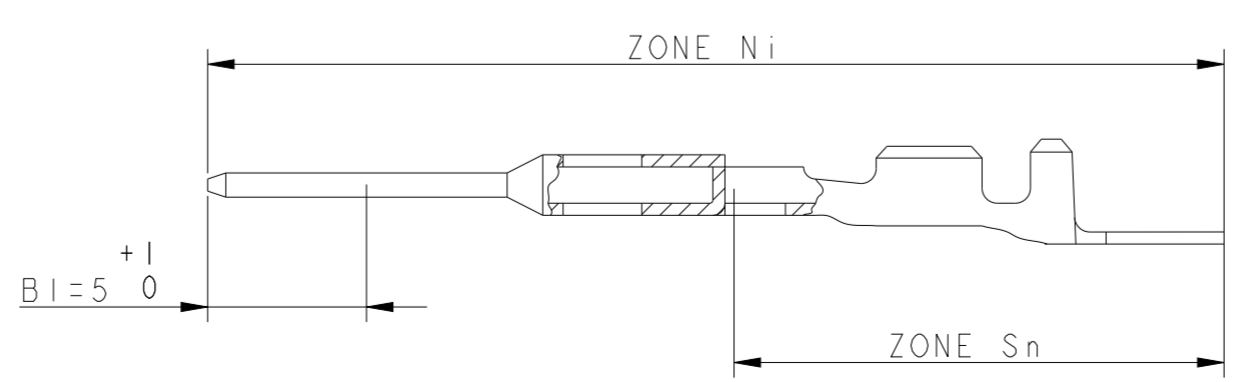
Etat / State	Références												Material Classe	
	MVL	Rev.	DELPHI	Rev.	MVL	Rev.	DELPHI	Rev.	MVL	Rev.	DELPHI	Rev.		
Pré-étamé / Pre-tinned Sn 3 to 6µ	211CL3S1120	B	10738582	01	211CL3S2120	B	10738201	02	211CL3S3120	B	10738202	01	Cu Sn 0.1	125/155°
Post-doré / Post-gilded 0.2µ int/ext	211CL3S1220	B	33501963	01	211CL3S2220	B	33501966	01	-				Cu Sn 0.1	125/155°

Section / Gauge	0.35 to 0.75	1 to 2.5	3 to 5
∅ Isolant ∅ Insulation	1.3 to 2.1	2 to 3	3.2 to 4
A	2.50	4	4.8
B	2.65	4	4.7
C ±0.10	0.6	1	1.25
D ± 0.30	3.9	5.5	6.65
E	4	4.8	6.10
F	1.10	1.60	1.90
K	-0.30	0.00	0.50
L	0.25	0.7	1.10
M	8.55	8.65	8.75
N	1.60	1.65	1.60
P	3.55	3.60	3.60



PROTECTION OR / GOLD PLATING					
Pitch of the strip = 15.50 64 terminals per meter					
Reference	Area	Ni B	Sn	Thickness Au	
				nominal	mini
211 CL 3S X 2 20	BI (INT/EXT)	0.5 µMIN 5 µMAX	3 µMIN 5 µMAX	0.25µ	0.20µ

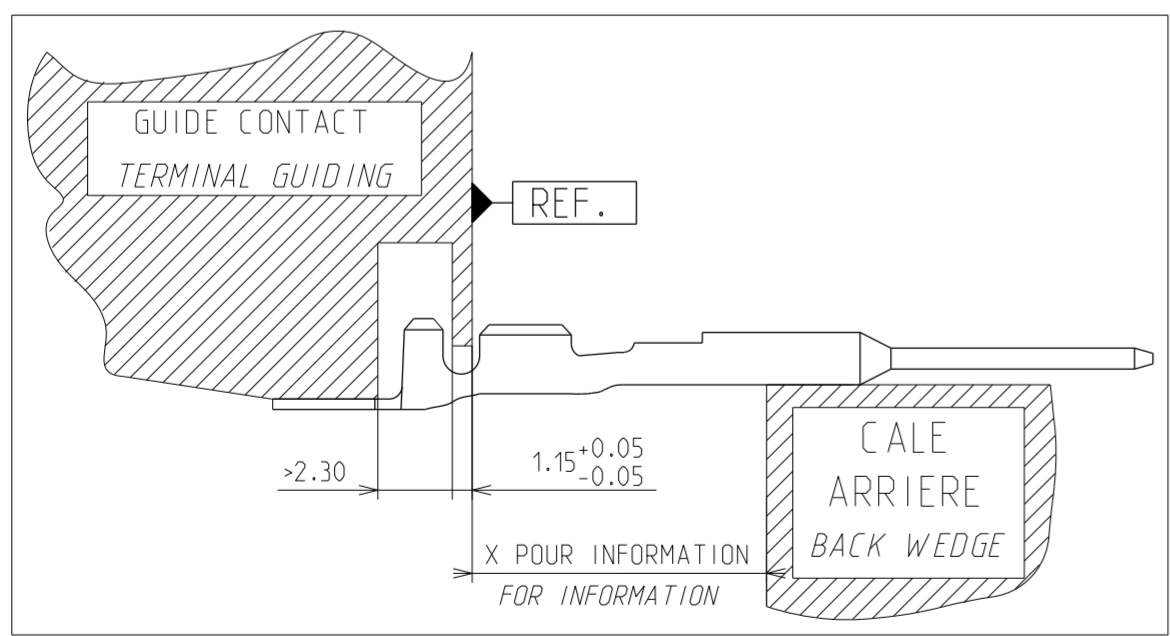
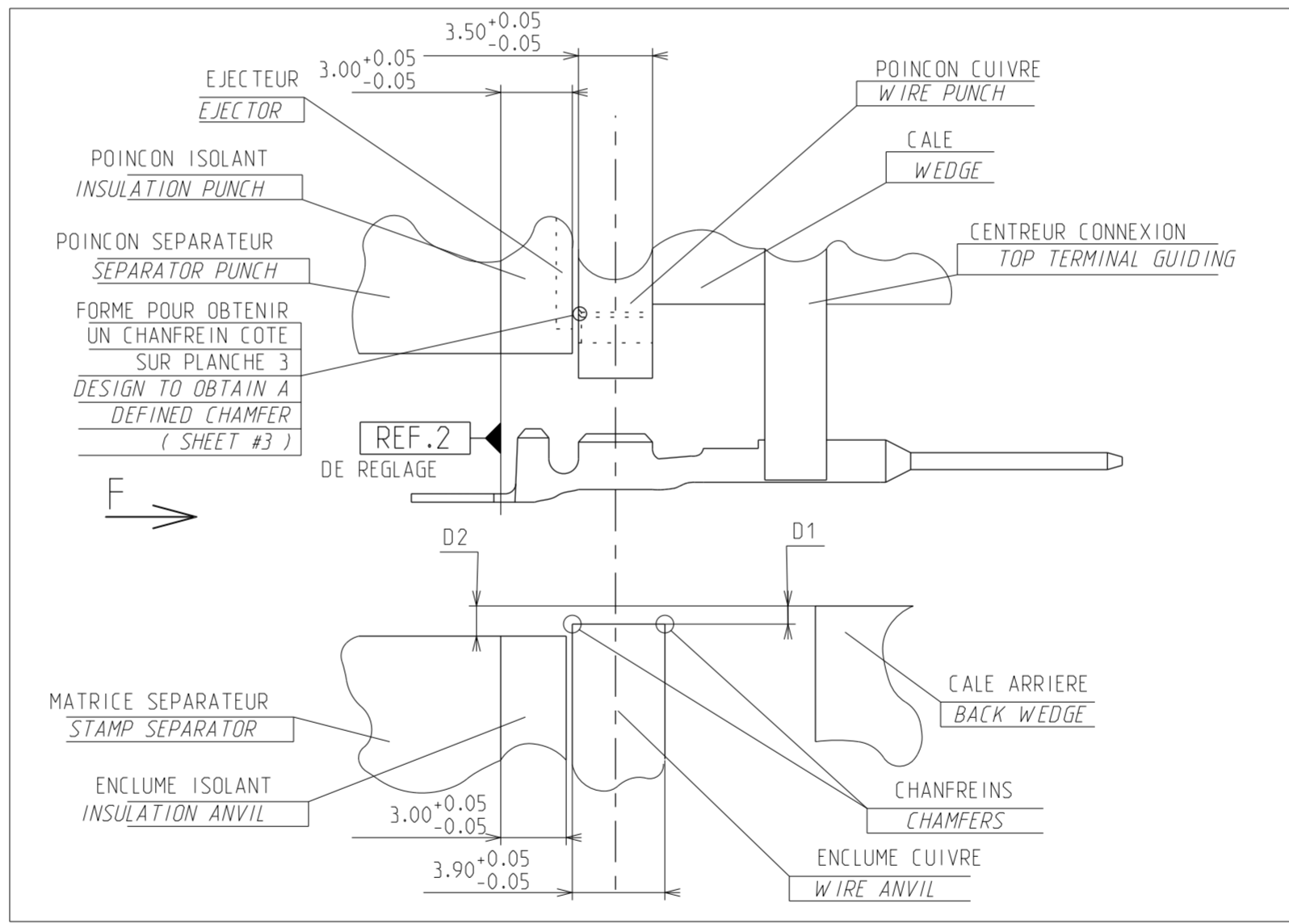
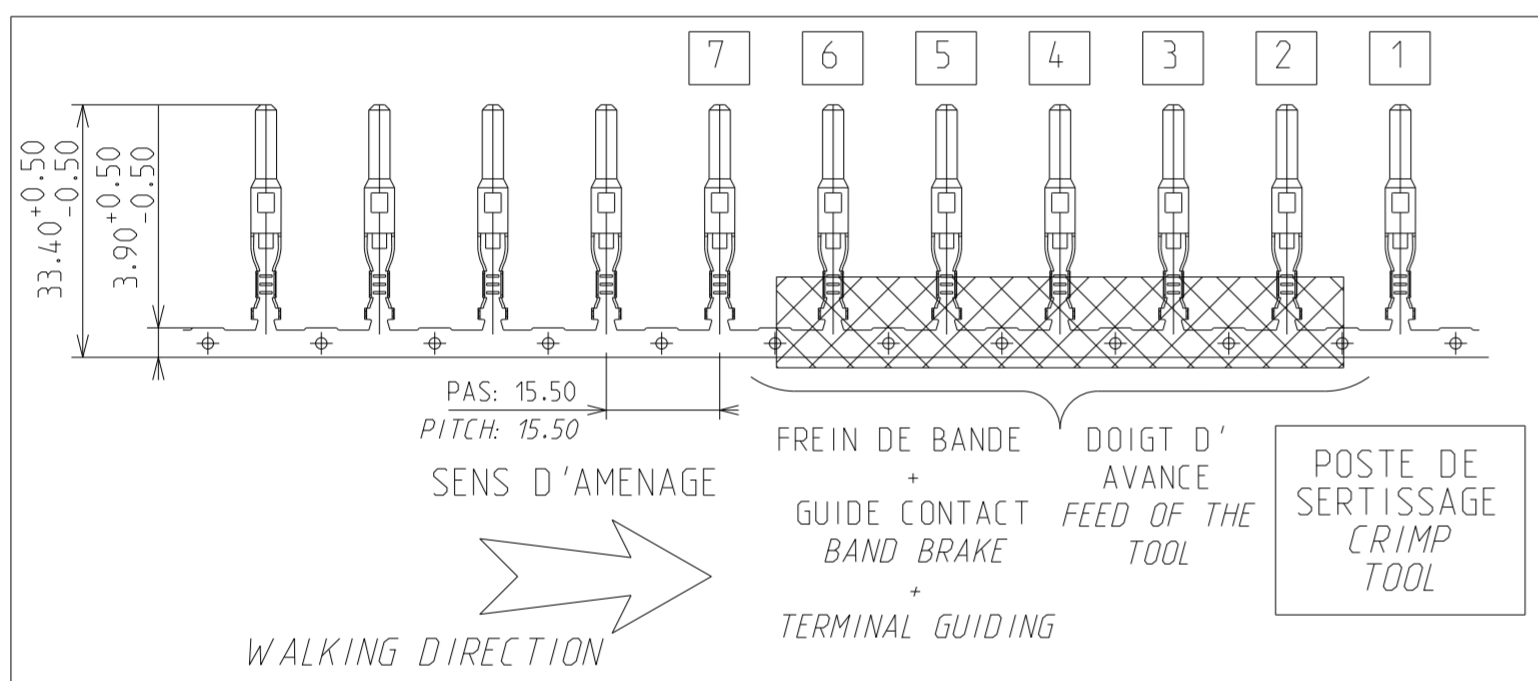
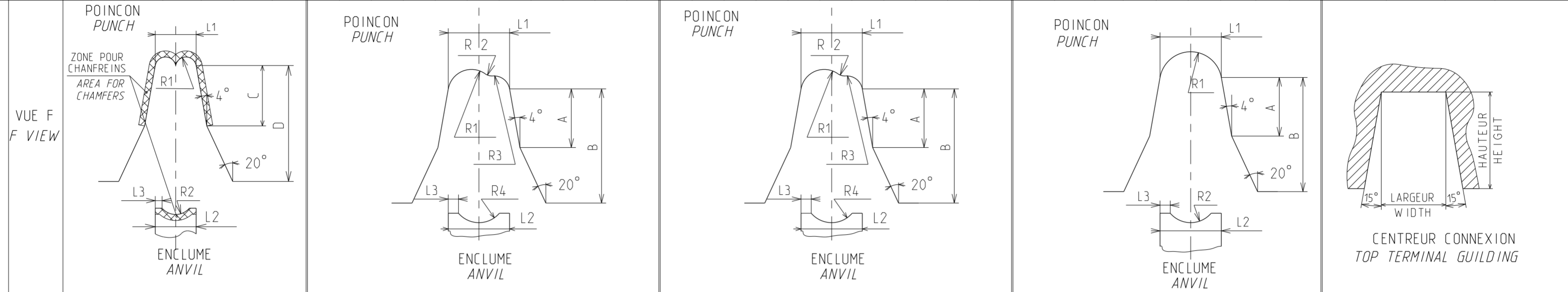
ZONE ET DIMENSIONS VALABLES POUR TOUTES REFERENCES
AREA AND DIMENSIONS ARE VALID FOR ALL REFERENCES



ECN-NO. NUMERO ECN	POSITION POSITION	CHANGE DESCRIPTION MODIFICATION	
PRODUCT SPEC. SPECIF. PRODUIT	PACKAGING SPEC. SPECIF. EMBALLAGE	APPLICATION SPEC. SPECIF. APPLICATION	COPYRIGHT DELPHI CORPORATION AND/OR ITS AFFILIATES. ALL RIGHTS RESERVED. REVISED THIS DRAWING IS THE PROPERTY OF DELPHI CORPORATION AND CONTAINS DELPHI CONFIDENTIAL INFORMATION. THE REPRODUCTION, DISTRIBUTION AND UTILIZATION OF THIS DOCUMENT OR ITS RELATED CAD WITH DATA, AS WELL AS COMMUNICATION OF ANY CONTENT TO OTHERS, WITHOUT EXPRESS AUTHORIZATION, IS PROHIBITED.
TOLERANCES TOLERANCES	± 0.2	MATERIAL : MATIERE :	SEE TABLE
COUNTERPART N° CONTRE-PARTIE N°		SURFACE FINISH ETAT DE SURFACE	
DO NOT MEASURE DRAWING NE PAS PRENDRE DE COTES		ECO Loc. Code CODE B.E.	FE
CREATED BY CREE PAR	1994-03-03	GM	
MODIFIED BY MODIF. PAR	2013/06/28	F FAURIE	
CHECKED BY VERIF. PAR	2013/07/01	L DOMERGUE	
APPROVED BY APPR. PAR	2013/07/01	Patrice CAPPE	
FILE NAME NOM DE FICHIER	211FT0013	ESR NO. NUMERO ESR	FRA-049
		CAT. NO. NUMERO CAT.	
		DOCUMENT UNDER PDS CONTROL DOCUMENT GERE SOUS P.D.S. NO MODIFICATION ALLOWED OUTSIDE PAS DE MODIFICATION EN DEHORS	

DELPHI	DELPHI PACKARD ELECTRICAL/ELECTRONIC ARCHITECTURE EPERNON, FRANCE	CAD SYSTEM pro / eng.
	DIMENSION IN MILLIMETERS DIMENSIONS EN MILLIMETRES	DWG SIZE FORMAT A2
	ISO PROJECTION PROJECTION ISO	APPROVAL LEVEL NIV. D'APPROBATION -
	DRAWING NUMBER REF. PLAN 211FT0013	REV. IND. C
	STATE ETAT PART NUMBER REF. ARTICLE SICMA 2	SHEET FEUILLE 1 of 1 sur 4
	See Table	SCALE ECH. 1:1

CONTACTS FEMALE TERMINAL		GUIDE CONTACTS TERMINAL GUIDING	CUIVRE WIRE									ISOLANT INSULATION												CENTREUR CONNEXION CONNEXION TOP TERMINAL GUIDING																		
REFERENCE REFERENCE			GAMME RANGE	POINCON PUNCH			ENCLUME ANVIL			FRETTAGE PAR RECOUVREMENT INSULATION BARREL WITH OVERLAPPING						FRETTAGE PAR RECOUVREMENT AVEC JOINT UNITAIRE SUR FIL INSULATION BARREL WITH OVERLAPPING WITH SINGLE SEAL						FRETTAGE AVEC JOINT UNITAIRE SUR FIL INSULATION BARREL WITH SINGLE SEAL						LARGEUR WIDTH	EPAISSEUR THICKNESS	HAUTEUR HEIGHT	COURSE DISPLACEMENT											
MVL	DELPHI	X		C	D	L1	R1	L2	L3	R2	D1	D2	A	B	L1	R1	R2	R3	L2	L3	R4	D1	D2	A	B	L1	R1					L2	L3	R2								
211 CL 3 S 1120	10738582	1	4.40	2.90	7.20	2.10	0.57	2.10	0.26	1.26	-0.30	0.30	3.60	8.10	2.50	0.93	0.50	0.65	2.50	0.21	1.50	-0.30	0.60	3.80	8.80	3.15	1.17	0.63	0.82	3.15	0.26	1.89					4.05mini	5	1.50	9		
211 CL 3 S 1220	33501963																																									
211 CL 3 S 2120	10738201	2	4.40	3.70	8.20	2.85	0.77	2.85	0.36	1.50	0.00	0.80	4.40	8.60	3.85	1.42	0.77	1.00	3.85	0.30	2.31																					
211 CL 3 S 2220	33501966																																									
211 CL 3 S 3120	10738202	3	4.00	4.10	9.10	3.20	0.87	3.20	0.40	1.70	0.50	1.20	5.50	9.50	4.10	1.52	0.82	1.07	4.10	0.34	2.46	0.50	1.20	4.40	8.60	3.85	1.42	0.77	1.00	3.85	0.30	2.31										



ECN-NO. NUMERO ECN	POSITION POSITION	CHANGE DESCRIPTION MODIFICATION	
		DELPHI P/N ADDED	
PRODUCT SPEC. SPECIF. PRODUIT	PACKAGING SPEC. SPECIF. EMBALLAGE	APPLICATION SPEC. SPECIF. APPLICATION	COPYRIGHT DELPHI CORPORATION AND/OR ITS AFFILIATES. ALL RIGHTS RESERVED. REVISED THIS DRAWING IS THE PROPERTY OF DELPHI CORPORATION AND CONTAINS DELPHI CONFIDENTIAL INFORMATION. THE REPRODUCTION, DISTRIBUTION AND UTILIZATION OF THIS DOCUMENT OR ITS RELATED CAD DATA, AS WELL AS COMMUNICATION OF ANY CONTENT TO OTHERS, WITHOUT EXPRESS AUTHORIZATION, IS PROHIBITED.
TOLERANCES TOLERANCES	± 0.2	MATERIAL : MATIERE :	SEE TABLE
COUNTERPART No. CONTRE-PARTIE N°		COLOUR : COULEUR :	
DO NOT MEASURE DRAWING NE PAS PRENDRE DE COTES		ECO Loc. Code CODE B.E.	FE
CREATED BY CREE PAR	1994-03-03	GM	
MODIFIED BY MODIF. PAR	2013/06/28	F FAURIE	
CHECKED BY VERIF. PAR	2013/07/01	L DOMERGUE	
APPROVED BY APPR. PAR	2013/07/01	Patrice CAPPE	
FILE NAME NOM DE FICHIER	211FT0013	ESR NO. NUMERO ESR	FRA-049
		CAT. NO. NUMERO CAT.	
		DOCUMENT UNDER PDS CONTROL DOCUMENT GERE SOUS P.D.S.	NO MODIFICATION ALLOWED OUTSIDE (PAS DE MODIFICATION EN DEHORS)
DRAWING NUMBER REF. PLAN		REV. IND.	
211FT0013		C	
STATE ETAT		REV. IND.	
PART NUMBER REF. ARTICLE		REV. IND.	
SICMA 2		4	
See Table		SCALE Ech. 1:1	

EUR C04 112 F29 PDS

PARAMETRES DE SERTISSAGE CRIMP PARAMETERS										FILS SUIVANT SPECIF PSA N° : 96 095 032 99 (IR) ET 96 347 082 99 (ID) WIRES ACCORDING TO PSA SPEC N° : 96 095 032 99 (IR) AND 96 347 082 99 (ID)												
CONTACT MALE TERMINAL					SERTISSAGE CUIVRE WIRE BARREL					FRETTAGE ISOLANT INSULATION BARREL												
GAMME RANGE	REFERENCE F.C.C. PARTNAME	REFERENCE PSA PARTNAME	DAC MAXI	DAI MAXI	LNC±0.25	LNI±0.25	DCS±0.10	DIS±0.10	DCSJ±0.10	DISJ±0.10	SECTION SECTION		mm ²	(LARGEUR) (WIDTH)	HAUTEUR (HEIGHT)	Ø EQU. Ø.EQU.	PAR RECOUVREMENT WITH OVERLAPPING		AVEC JOINT UNITAIRE WITH SINGLE SEAL		TYPE FIL WIRE	
											THEORIQUE THEORETIC	REELLE REAL					(LARGEUR) (WIDTH)	(HAUTEUR) (HEIGHT)	(LARGEUR) (WIDTH)	(HAUTEUR) (HEIGHT)		(LARGEUR) (WIDTH)
R PLANCHE																						

VALEUR : UNIQUEMENT POUR INFORMATION VALUE : FOR INFORMATION ONLY

4 SERTISSAGE CRIMP

SUR FIL ET SUR JOINT UNITAIRE
ON WIRE AND ON SINGLE SEAL

DEFORMATION MAXI AUTORISEE APRES SERTISSAGE:
± 4° ENTRE AXE ZONE A ET BORD ZONE C
± 2° ENTRE AXE ZONE A ET AXE ZONE B

AUTHORIZED DEFORMATION MAXI AFTER CRIMPING:
± 4° BETWEEN ZONE A AXIS AND ZONE C EDGE
± 2° BETWEEN ZONE A AXIS AND ZONE B AXIS

ISOLANT ET CUIVRE DOIVENT ETRE VISIBLES DANS CETTE ZONE.
INSULATION AND WIRE MUST BE VISIBLE IN THIS AREA

DEPASSEMENT BRINS DE CUIVRE: 0.60^{+0.40}_{-0.40}
(WIRE EXCEEDING)

CHANFREIN : 0.30^{+0.10}₀

DIS: DEPORT CAGE-ISOLANT
CAGE-INSULATION TRANSLATION

DCS: DEPORT CAGE-CUIVRE
CAGE-WIRE TRANSLATION

DCSJ: DEPORT CAGE-CUIVRE AVEC JOINT
CAGE-WIRE TRANSLATION WITH SEAL

DISJ: DEPORT CAGE-ISOLANT AVEC JOINT
CAGE-INSULATION TRANSLATION WITH SEAL

TEMOIN DE DECOUPE EN PARTIE
ARRIERE UNIQUEMENT
STAMPING WITNESS ONLY IN THE REAR PART

REF. 2

0.2^{+0.1}_{-0.1}

0.10 MAXI

TEMEN DE L'ISOLANT: APRES 8 PLIAGES A 45° SELON LES AXES I, J, H ET L. L'ISOLANT NE DOIT PAS AVOIR GLISSE HORS DES AILES DE FRETTAGE
KEEPING OF INSULATION: AFTER 8 BENDINGS AT 45° IN I, J, H AND L AXES. THE INSULATION MUST NOT MOVE OUT OF THE INSULATION BARRELS.

2 CONTACT MALE TERMINAL

SECTION AA
AA SECTION

SECTION BB
BB SECTION

DEGAUCHI PAR RAPPORT A STRAIGHTEN TO

LNC POUR AILES CUIVRE
LNC WIRE BARREL

LNI POUR AILES ISOLANT
LNI INSULATION BARREL

0.10

NOTICE DE CONTROLE
AU PIED A COULISSE OU AU PROJECTEUR DE PROFIL, VERIFIER LES COTES INDIQUEES SUR LE DESSIN DE LA LANGUETTE.
METTRE LES AILES PARALLELES A L'AIDE D'UN MONTAGE APPROPRIE, PUIS MESURER LA COTE OBTENUE.

CONTROL SPECIFICATION
SLIDING CALIPER OR PROFIL PROJECTOR, MEASURE THE INDICATED DIMENSION ON THE DRAWING.
PUT THE BARRELS PARALLEL WITH AN ADAPTED MOUNTING, AND MEASURE THE OBTAINED DIMENSION.

3 PREPARATION DES FILS WIRE PREPARATION

LONGUEUR DE DENUDAGE DES FILS :
STRIP WIRE LENGTH (X = 5.00)

AILES DE SERTISSAGE
INSULATION BARRELS

FIL WIRE

SERTISSAGE AVEC FILS SUPERPOSES
METTRE LE PETIT FIL EN DESSOUS
CRIMPING WITH SUPERPOSED WIRES:
PUT SMALL ONE BELOW

REFERENCE JOINT: SEAL PARTNAME					
GAMME 1 RANGE 1		GAMME 2 RANGE 2		GAMME 3 RANGE 3	
MVL	DELPHI	MVL	DELPHI	MVL	DELPHI
211 M 0009	15327786	211 M 0010	10757056		

5 CONDITIONNEMENT PACKAGING

CONDITIONNEMENT SUIVANT NORME GALIA
PACKAGING ACCORDING TO GALIA SPECIFICATION

Suivant PU N°068
Following PU N° 068

ECN-NO. NUMERO ECN	POSITION POSITION	CHANGE DESCRIPTION MODIFICATION	DELPHI P/N ADDED	
PRODUCT SPEC. SPECIF. PRODUIT	PACKAGING SPEC. SPECIF. EMBALLAGE	APPLICATION SPEC. SPECIF. APPLICATION	COPYRIGHT DELPHI CORPORATION AND/OR ITS AFFILIATES. ALL RIGHTS RESERVED. REVISED DELPHI CONFIDENTIELLES. LA REPRODUCTION, LA DISTRIBUTION ET L'UTILISATION DE CE DOCUMENT OU DE SES DONNEES MATHEMATIQUES CAD, AINSI QUE LA COMMUNICATION DE TOUT CONTENU A AUTRUI, SANS AUTORISATION EXPRESSE, EST INTERDITE.	
TOLERANCES TOLERANCES	± 0.2	MATERIAL : MATIERE :	SEE TABLE	SURFACE FINISH ETAT DE SURFACE
COUNTERPART No. CONTRE-PARTIE N°		COLOUR : COULEUR :		DELPHI DELPHI PACKARD ELECTRICAL/ELECTRONIC ARCHITECTURE EPERNON, FRANCE
DO NOT MEASURE DRAWING NE PAS PRENDRE DE COTES		TOOL NO. OUTIL N°		ECO Loc. Code CODE B.E. FE
CREATED BY CREE PAR	1994-03-03	NAME NOM	GM	28 x 08 MALE TERMINAL
MODIFIED BY MODIF. PAR	2013/06/28	TITLE DESIGNATION	F FAURIE	PROJECT PROJET
CHECKED BY VERIF. PAR	2013/07/01	ESR NO. NUMERO ESR	L DOMERGUE	SICMA 2
APPROVED BY APPR. PAR	2013/07/01	CAT. NO. NUMERO CAT.	Patrice CAPPE	
FILE NAME NOM DE FICHER	211FT0013	DOCUMENT UNDER PDS CONTROL DOCUMENT GERE SOUS P.D.S.		NO MODIFICATION ALLOWED OUTSIDE PAS DE MODIFICATION EN DEHORS

1		PARAMETRES DE SERTISSAGE CRIMP PARAMETERS		FILS SUIVANT SPECIF PSA N° : 96 095 032 99 (IR) ET 96 347 082 99 (ID) WIRES ACCORDING TO PSA SPEC N° : 96 095 032 99 (IR) AND 96 347 082 99 (ID)																											
		CONTACT MALE TERMINAL		SERTISSAGE CUIVRE WIRE BARREL				FRETTAGE ISOLANT INSULATION BARREL																							
GAMME RANGE	REFERENCE F.C.C. F.C.C. PARTNAME		DAC MAXI	DAI MAXI	LNC ±0.25	LNI ±0.25	DCS ±0.10	DIS ±0.10	DCS ±0.10	DIS ±0.10	SECTION SECTION mm ²	(LARGEUR) (WIDTH)	HAUTEUR HEIGHT	ØEQU. ØEQU.	(LARGEUR) (WIDTH)	(HAUTEUR) (HEIGHT)	(LARGEUR) (WIDTH)	(HAUTEUR) (HEIGHT)	TYPE FIL WIRE												
	MVL	DELPHI								THEORIQUE THEORETIC	REELLE REAL	(G±0.04)	C±0.04		(F±0.08)	(D±0.08)	(F±0.08)	(D±0.08)	IR ID												
1	211 CL 3 S 1120	10738582	0.25	0.25	2.00	3.00	0.30	-0.30	0.30	-0.60	0.35	0.34	(2.14)	1.19	1.35	(2.63)	(2.37)	(3.25)	(3.24)												
											0.50	0.49	(2.14)	1.23	1.45	(2.63)	(2.51)	(3.25)	(3.25)												
											0.60	0.59	(2.14)	1.25	1.83	(2.63)	(2.64)	(3.25)	(3.28)												
											0.75	0.72	(2.14)	1.28	1.70	(2.63)	(2.57)	(3.25)	(3.27)												
											0.35 + 0.35	0.68	(2.14)	1.27	1.96	(2.63)	(2.76)														
2	211 CL 3 S 1220	33501963	0.25	0.25	2.80	4.00	0.00	-0.80	0.00	-1.10	1	0.93	(2.90)	1.55	2.07	(3.80)	(2.90)	(4.12)	(3.46)	IR											
											1.4	1.33	(2.91)	1.63	2.32	(3.83)	(3.05)	(4.15)	(3.87)												
											1.5	1.53	(2.92)	1.67	2.17	(3.82)	(2.98)	(4.13)	(3.63)												
											2	1.82	(2.93)	1.73	2.70	(3.86)	(3.22)	(4.20)	(4.30)												
											2.5	2.61	(2.95)	1.88	2.74	(3.87)	(3.31)	(4.20)	(4.30)												
											0.35 + 0.60	0.93	(2.90)	1.55	2.36	(3.83)	(3.08)														
											0.35 + 1	1.27	(2.91)	1.62	2.53	(3.85)	(3.18)			IR											
											0.50 + 0.50	0.98	(2.90)	1.56	2.23	(3.82)	(2.93)														
											0.50 + 1.50	2.02	(2.93)	1.77	2.81	(3.88)	(3.36)														
											0.60 + 0.60	1.18	(2.91)	1.60	2.71	(3.87)	(3.29)														
											0.60 + 1	1.52	(2.92)	1.67	2.87	(3.89)	(3.39)														
											0.60 + 1.4	1.92	(2.93)	1.75	3.10	(3.92)	(3.56)														
											1 + 1	1.86	(2.93)	1.74	3.02	(3.91)	(3.49)			IR											
											3	211 CL 3 S 3120	10738202	0.25	0.25	3.30	4.60	-0.50	-1.20		3	3.18	(3.29)	2.10	3.20	(4.29)	(4.00)				
																					4	3.96	(3.30)	2.34	3.60	(4.31)	(4.17)			IR	
				3.46	(4.31)	(4.14)			ID																						
5	4.95	(3.31)	2.65	3.90	(4.33)	(4.32)																									
1 + 1.4	2.26	(3.28)	1.81	3.24	(4.30)	(4.02)																									
1 + 2	2.75	(3.29)	1.97	3.49	(4.31)	(4.12)																									
1.4 + 1.4	2.65	(3.29)	1.93	3.47	(4.31)	(4.11)																									
1.4 + 2	3.14	(3.29)	2.09	3.70	(4.32)	(4.22)																									
2 + 2	3.64	(3.30)	2.24	3.92	(4.33)	(4.33)																									

(VALEUR) : UNIQUEMENT POUR INFORMATION (VALUE) : FOR INFORMATION ONLY

ECN-NO. NUMERO ECN		POSITION POSITION	CHANGE DESCRIPTION MODIFICATION	
PRODUCT SPEC. SPECIF. PRODUIT		PACKAGING SPEC. SPECIF. EMBALLAGE	APPLICATION SPEC. SPECIF. APPLICATION	COPYRIGHT DELPHI CORPORATION AND/OR ITS AFFILIATES. ALL RIGHTS RESERVED. REVISED THIS DRAWING IS THE PROPERTY OF DELPHI CORPORATION AND CONTAINS DELPHI CONFIDENTIAL INFORMATION. THE REPRODUCTION, DISTRIBUTION AND UTILIZATION OF THIS DOCUMENT OR ITS RELATED CAD DATA, AS WELL AS COMMUNICATION OF ANY CONTENT TO OTHERS, WITHOUT EXPRESS AUTHORIZATION, IS PROHIBITED.
TOLERANCES TOLERANCES		MATERIAL : MATIERE :		SURFACE FINISH ETAT DE SURFACE
COUNTERPART N° CONTRE-PARTIE N°		COLOUR : COULEUR :		DELPHI DELPHI PACKARD ELECTRICAL/ELECTRONIC ARCHITECTURE EPERON, FRANCE
DO NOT MEASURE DRAWING NE PAS PRENDRE DE COTES		TOOL NO. OUTIL N°		ECO Loc. Code CODE B.E. FE
CREATED BY CREE PAR	DATE DATE	NAME NOM	TITLE DESIGNATION	
MODIFIED BY MODIF. PAR	2013/06/28	F FAURIE	28 x 08 MALE TERMINAL	
CHECKED BY VERIF. PAR	2013/07/01	L DOMERGUE	SICMA 2	
APPROVED BY APPR. PAR	2013/07/01	Patrice CAPPE	ESR NO. NUMERO ESR	CAT. NO. NUMERO CAT.
FILE NAME NOM DE FICHIER	211FT0013	DOCUMENT UNDER PDS CONTROL / DOCUMENT GERE SOUS P.D.S. NO MODIFICATION ALLOWED OUTSIDE / PAS DE MODIFICATION EN DEHORS		
DRAWING NUMBER REF. PLAN		REV. IND.		APPROVAL LEVEL NIV. D'APPROBATION
211FT0013		C		A2
STATE ETAT		PART NUMBER REF. ARTICLE		SHEET FEUILLE
SERIAL RELEASED		See Table		4
				of 1 sur 4
				SCALE ECH. 1:1

X-ON Electronics

Largest Supplier of Electrical and Electronic Components

Click to view similar products for [Automotive Connectors](#) category:

Click to view products by [APTIV](#) manufacturer:

Other Similar products are found below :

[003-018-000](#) [60403001](#) [60993906-B](#) [629515004020001](#) [M902-2131](#) [M902-2161](#) [72.330.1035.1](#) [73.353.4028.0](#) [F119300-B](#) [F166900](#)
[F258300-B](#) [F358300-B](#) [F407400](#) [F444110](#) [F487000](#) [F509500B-B](#) [827153-1](#) [8N1515-32-24P](#) [9-1326729-8](#) [925474-1](#) [928905-1](#) [964562-4](#)
[968782-1](#) [GT17SA-8DS-HU](#) [98891-1012](#) [98947-1016](#) [12004475-L](#) [12010290](#) [12010309-B](#) [12015454](#) [12020219-B](#) [12020308](#) [12041318-B](#)
[12052225-L](#) [12052466](#) [12059125](#) [12064869](#) [12004327-B](#) [12010503-B](#) [12015308](#) [12015384](#) [12015909](#) [1-21030-1](#) [12041254](#) [12041318](#)
[12047946-B](#) [12047957](#) [12047957-L](#) [12059473](#) [12066261](#)