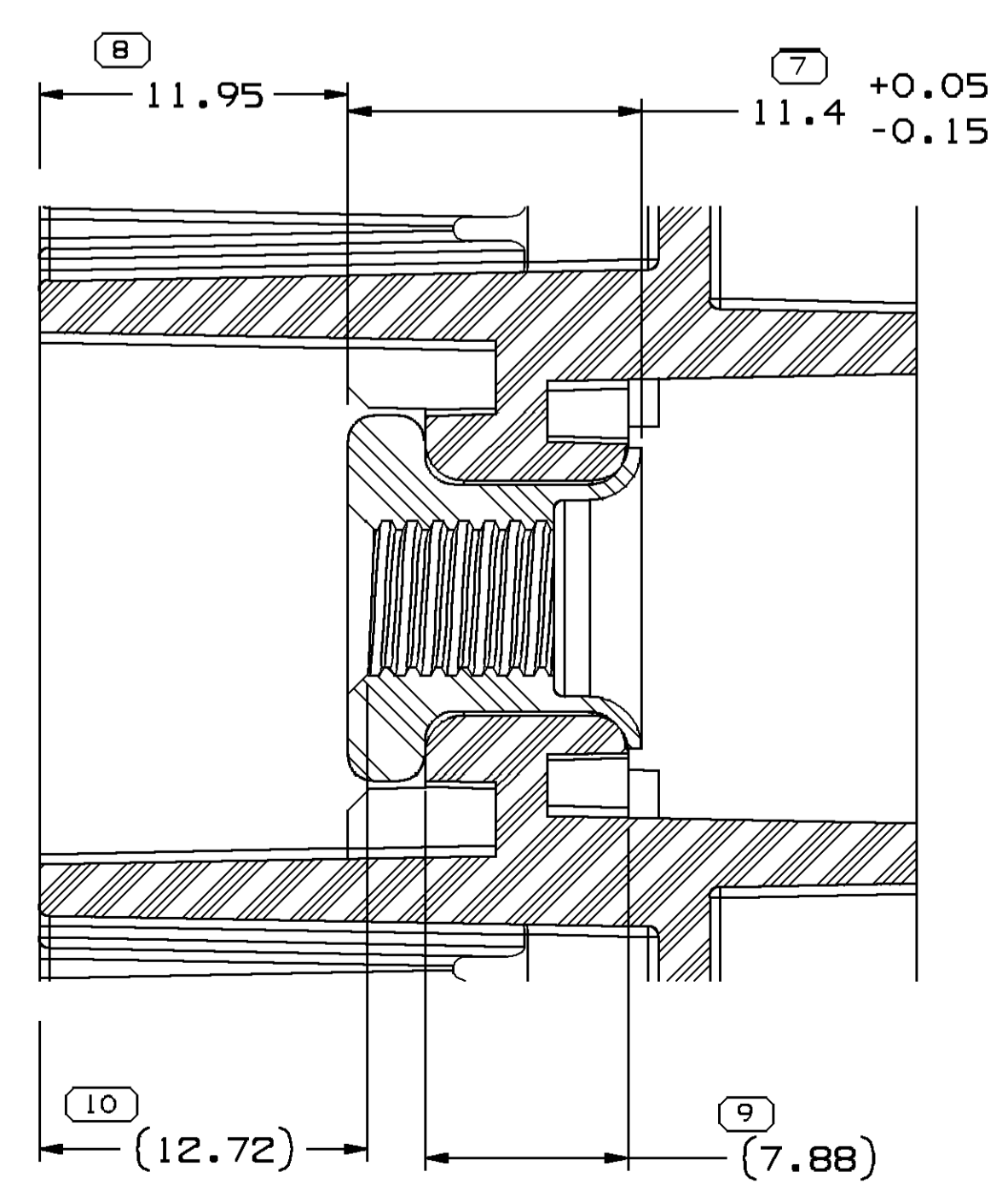
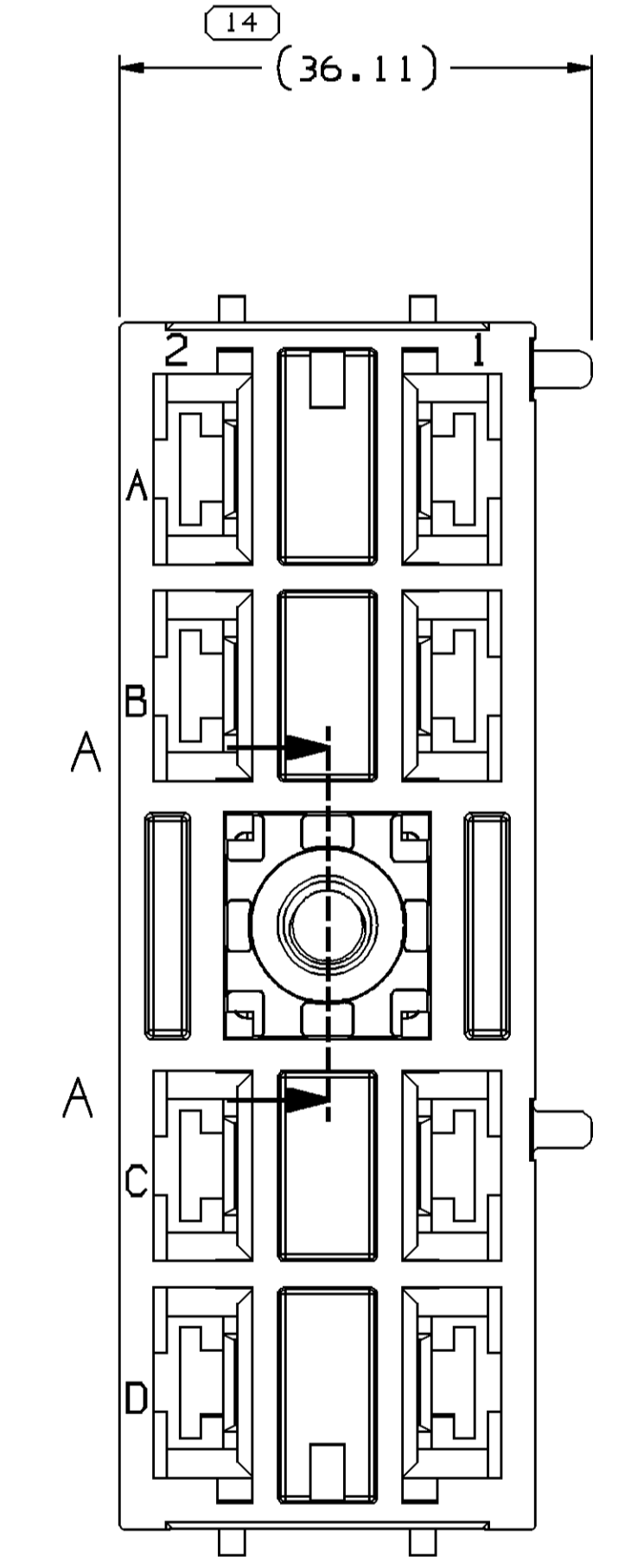
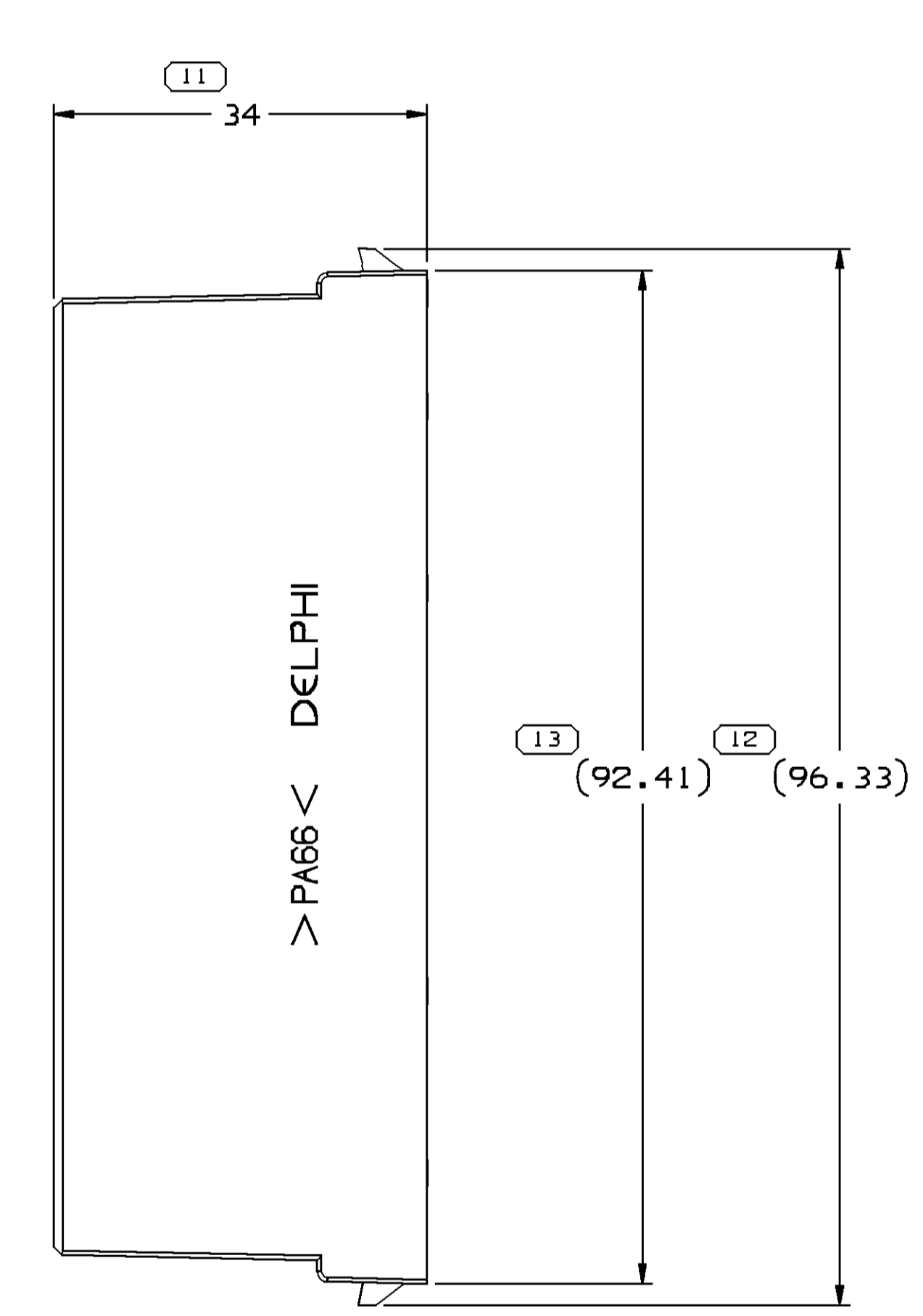
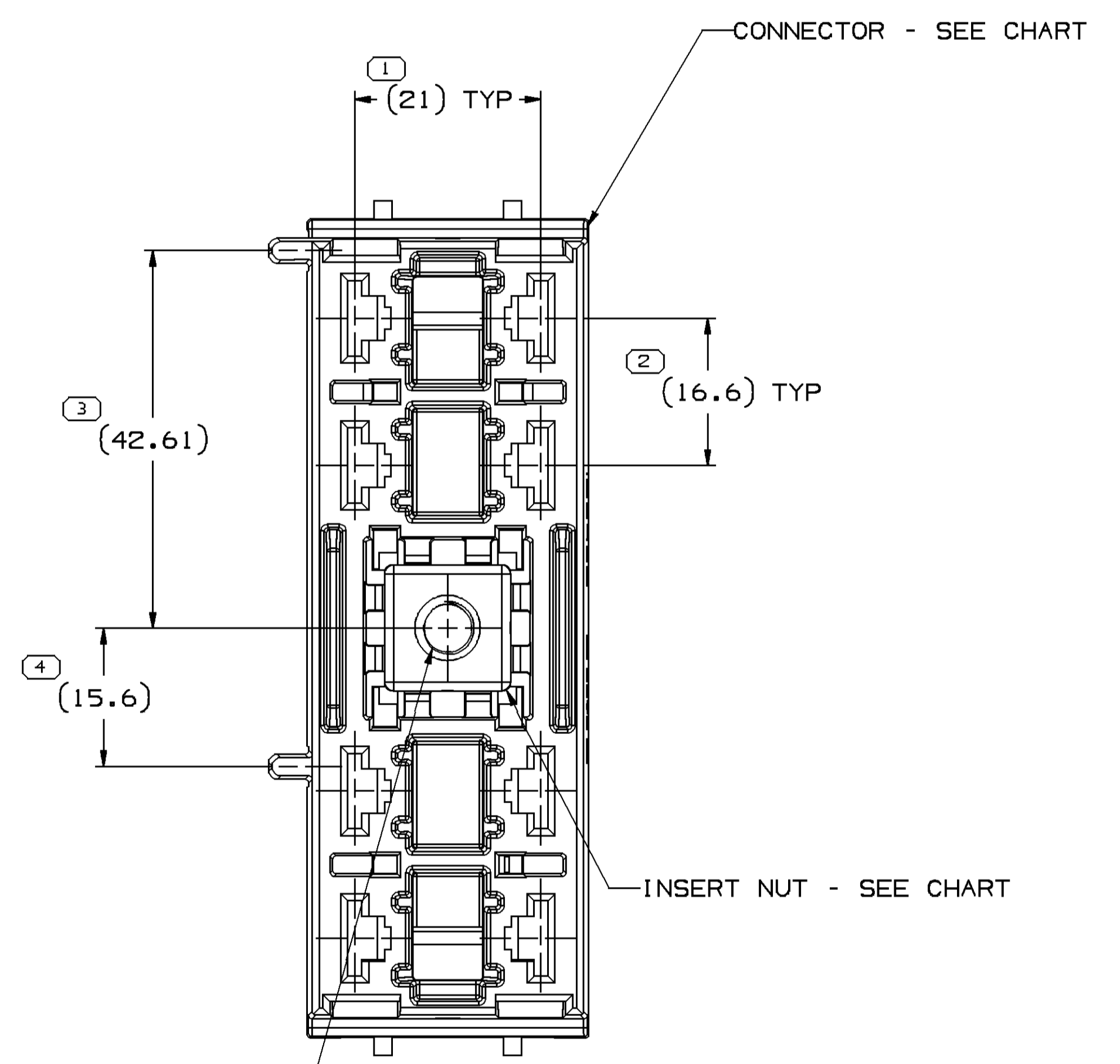
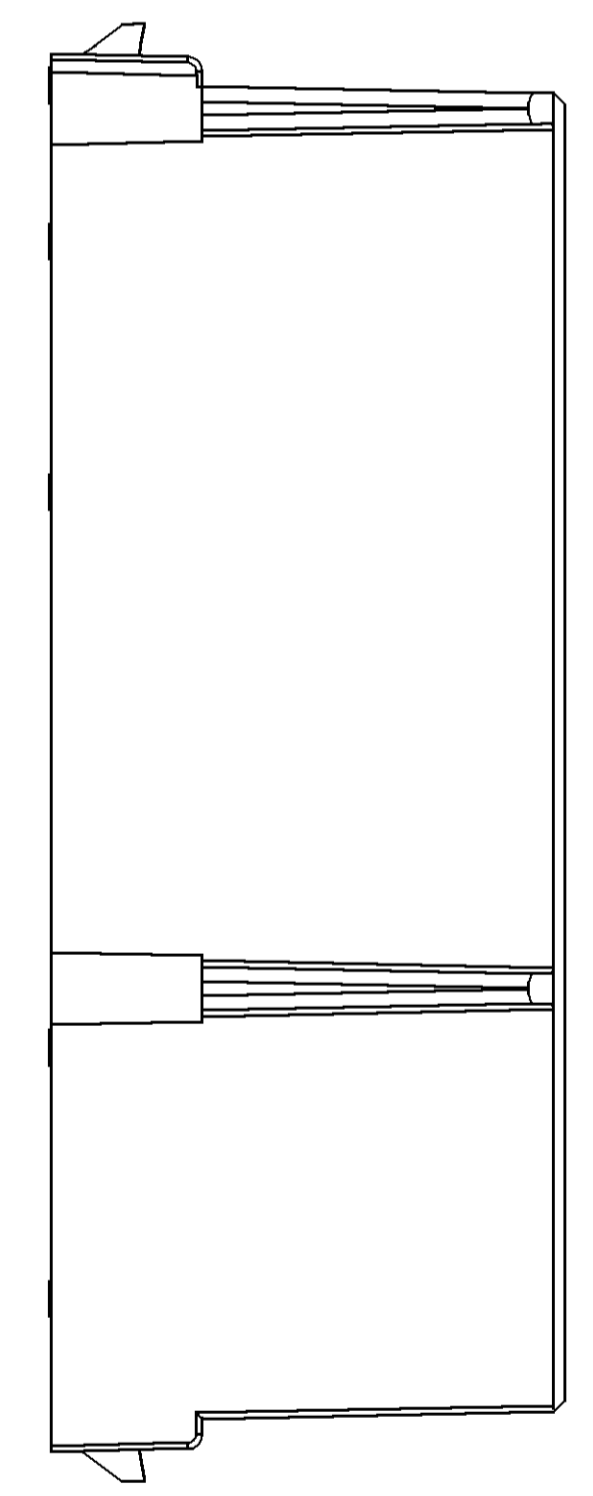
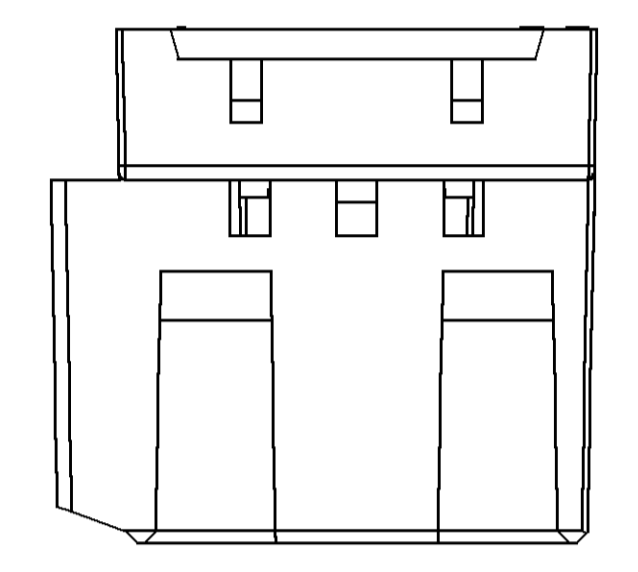
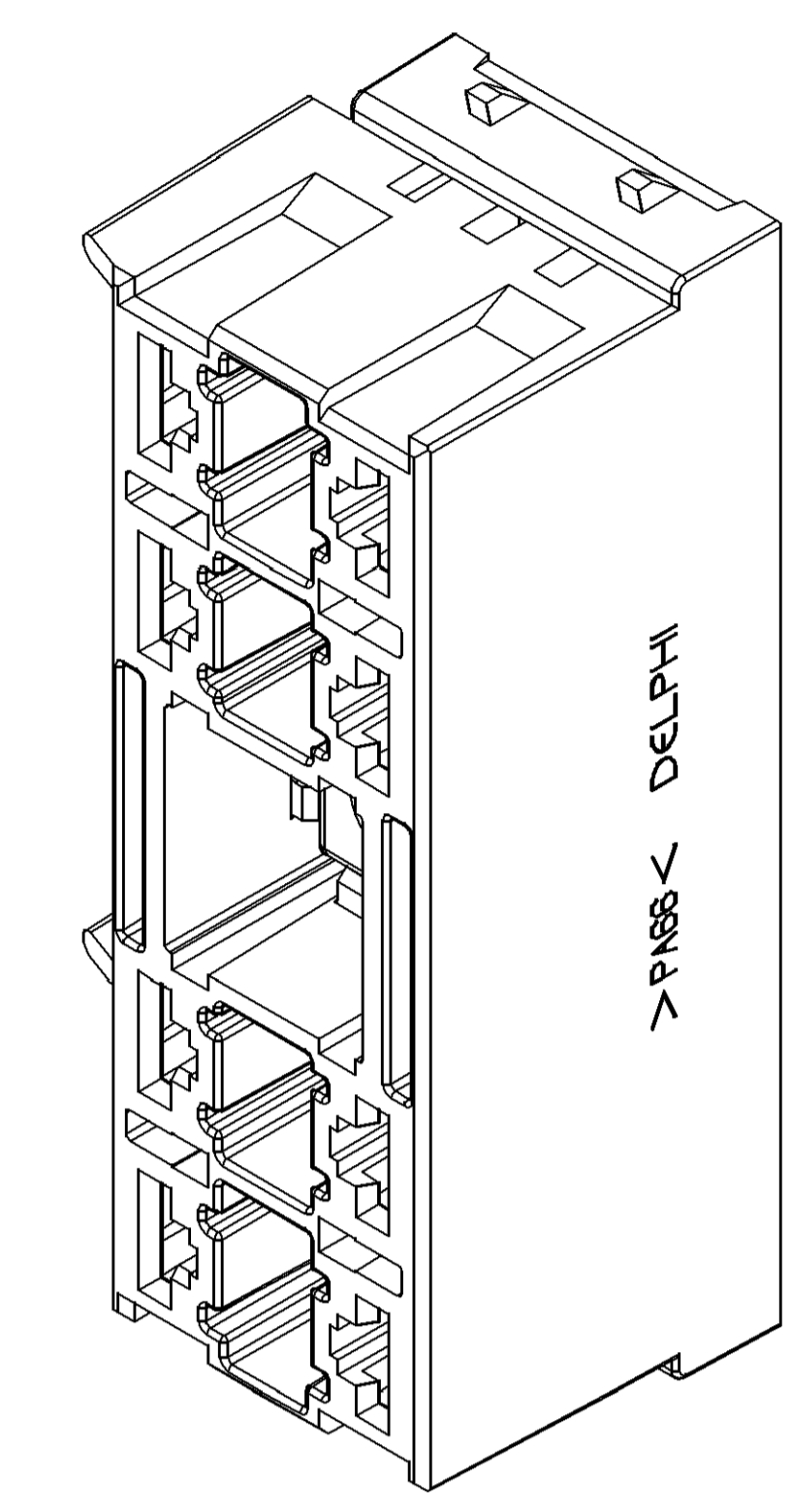


SYMBOL DEFINITION		MISSING SYMBOLS	
A DIMENSION WITHOUT AN INSPECTION REPORT SYMBOL () DOES NOT REQUIRE INSPECTION. IT MAY BE CONTROLLED ON THE INDIVIDUAL COMPONENT DRAWING.	TOTAL NO OF INSPECTIONS REQUIRED	NO MISSING SYMBOL NUMBER	
	14		
	LAST NO. USED		
	14		
KEY PRODUCT CHARACTERISTIC SYMBOLS (◇, ⊕) INDICATE PRODUCT CHARACTERISTICS THAT REQUIRE SPECIAL CARE, DOCUMENTATION, AND ACCEPTANCE CRITERIA PER GM 1805 ON AND DELPHI PACKARD ELECTRIC SYSTEMS PROCEDURES.			
KEY PRODUCT CHARACTERISTICS			
⊕ SAFETY/COMPLIANCE		◇ FIT/FUNCTION	
TOTAL ON DRAWING		1	
LAST NUMBER USED		1	

DWS STATUS					REVISION HISTORY					AUTH		DR		APVD		
DATE	STG	REV	N/P	ZONE												
15DE98	R	01	-	-	WAS PE072107 AND RELEASED					980005	BAW	BAW	RB			
09AU99	R	02	-	-	REVISED INDEXING RIBS					194115	BD	BD	RB			
09MY00	R	02	AA	-	REVISED DIMS 1,2,3,4,6,9,10,12,13 & 14											
12JL12	R	02	AB	-	TO REF DIMS & REMOVED LOWER HOUSING NOTE					199843	DJM	DJM	RB			
					UPDATED POW ATTRIBUTES, 11.4 +0.05/-0.15					418790	JRV	FRE	JRV			
					WAS 11.4B +0.15/-0.12 AND ADDED APPLICATION DRAWING NOTE											



NOTES

- UNLESS OTHERWISE SPECIFIED AND/OR INDICATED: DIMENSIONS ARE TO FACE OF VIEW SHOWN AND AUTOMATICALLY ROUNDED BY COMPUTER FOR INSPECTION. (SEE MATH MODEL FOR PRECISE DIMENSIONS.) FOR ALL OTHER DIMENSIONS NOT SHOWN BUT REQUIRED FOR TOOL BUILD, SEE MATH MODEL FOR PRECISE TOOL PATH DATA. ALL RADII 0.40 DRAFT IS 1° ON ALL OUTSIDE SURFACES LIKE CAVITIES ARE IDENTICAL LOCKING FEATURES ARE IDENTICAL
- THIS PRODUCT IS NOT CATEGORIZED AS AN APPEARANCE ITEM, MINOR IMPERFECTIONS INCLUDING, BUT NOT LIMITED TO, FLOW MARKS, COLOR BLEMISHES, GATE VESTIGE, AND SOFT FLASH THAT DO NOT AFFECT THE FIT, FORM, OR FUNCTION OF THE PART ARE PERMISSIBLE PER DPNP-4.7-CS-01.
- FOR APPLICATION DATA SEE THE APPLICATION DRAWING.

LINE DRAWING THROUGH PART NUMBER INDICATES THAT PHYSICAL PARTS ARE NOT AVAILABLE FOR ORDERING.	
PART NUMBERS THAT DO NOT HAVE A LINE PRESENT INDICATE THAT PHYSICAL PARTS ARE AVAILABLE FOR ORDERING.	
CONTACT DELPHI SALES TO ASSURE AVAILABILITY OF PARTS.	
DWG TYPE	PART DRAWING
STYLE	
VOLUME (OMP)	DISTR CODE
UNLESS OTHERWISE SPECIFIED THIS DOCUMENT IS IN ACCORDANCE WITH ASME Y14.5M-1994 AS MODIFIED BY THE GM GLOBAL DIMENSIONING AND TOLERANCING ADDENDUM-2001. SEPARATE PATTERNING OF FEATURES MAY BE SHOWN SEPARATELY, REGARDLESS OF DATUM REFERENCES.	
ALL DIMENSIONS ARE IN MILLIMETERS	
REFERENCE	

DELPHI
 DELPHI PACKARD ELECTRICAL/ELECTRONIC ARCHITECTURE
 WARREN, OH
 COPYRIGHT 1998 DELPHI CORPORATION AND/OR ITS AFFILIATES. ALL RIGHTS RESERVED.
 THIS DRAWING IS THE PROPERTY OF DELPHI CORPORATION. THE REPRODUCTION, DISTRIBUTION AND UTILIZATION OF THIS DOCUMENT OR ITS RELATED CAD DATA AS WELL AS COMMUNICATION OF ANY CONTENT TO OTHERS, WITHOUT EXPRESS AUTHORIZATION IS PROHIBITED.

DATE

OR

APVD1 R. HARTMAN 21JUL98
 APVD2 GLENN WARNER 15DE98
 APVD3 GLENN WARNER 15DE98
 APVD4

SUBSTANCES OF CONCERN AND RECYCLED CONTENT PER DELPHI 10449001

MATERIAL SEE DRAWING

DRAWING NAME
 ASM CONN B F W/P 800

DRAWING NUMBER
 15329012

SIZE A0 SCALE 2:1 FRAME NO 1 OF 1 SHEET NO 1 OF 1 REV N/P R 02 AB

15329012	02	AB	15329011	15319432
PART NO	REV	N/P	CONNECTOR BODY	INSERT NUT

DIMENSIONAL RANGE (MM)		CHART SET	
FROM	TO	> 0	> 300
> 0	> 20	> 30	> 70
> 20	> 30	> 70	> 100
> 30	> 70	> 100	> 150
> 70	> 100	> 150	> 200
> 100	> 150	> 200	> 250
> 150	> 200	> 250	> 300
> 200	> 250	> 300	> 400
TOLERANCE UNLESS OTHERWISE SPECIFIED			
ANGULAR TOLERANCE ±2°			

THIRD ANGLE PROJECTION	DO NOT SCALE	USE MATH DATA
------------------------	--------------	---------------

X-ON Electronics

Largest Supplier of Electrical and Electronic Components

Click to view similar products for [Automotive Connectors](#) category:

Click to view products by [APTIV](#) manufacturer:

Other Similar products are found below :

[003-018-000](#) [60403001](#) [60993906-B](#) [629515004020001](#) [M902-2131](#) [M902-2161](#) [72.330.1035.1](#) [73.353.4028.0](#) [F119300-B](#) [F166900](#)
[F258300-B](#) [F358300-B](#) [F407400](#) [F444110](#) [F487000](#) [F509500B-B](#) [827153-1](#) [8N1515-32-24P](#) [9-1326729-8](#) [925474-1](#) [928905-1](#) [964562-4](#)
[968782-1](#) [GT17SA-8DS-HU](#) [98891-1012](#) [98947-1016](#) [12004475-L](#) [12010290](#) [12010309-B](#) [12015454](#) [12020219-B](#) [12020308](#) [12041318-B](#)
[12052225-L](#) [12052466](#) [12059125](#) [12064869](#) [12004327-B](#) [12010503-B](#) [12015308](#) [12015384](#) [12015909](#) [1-21030-1](#) [12041254](#) [12041318](#)
[12047946-B](#) [12047957](#) [12047957-L](#) [12059473](#) [12066261](#)