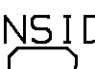
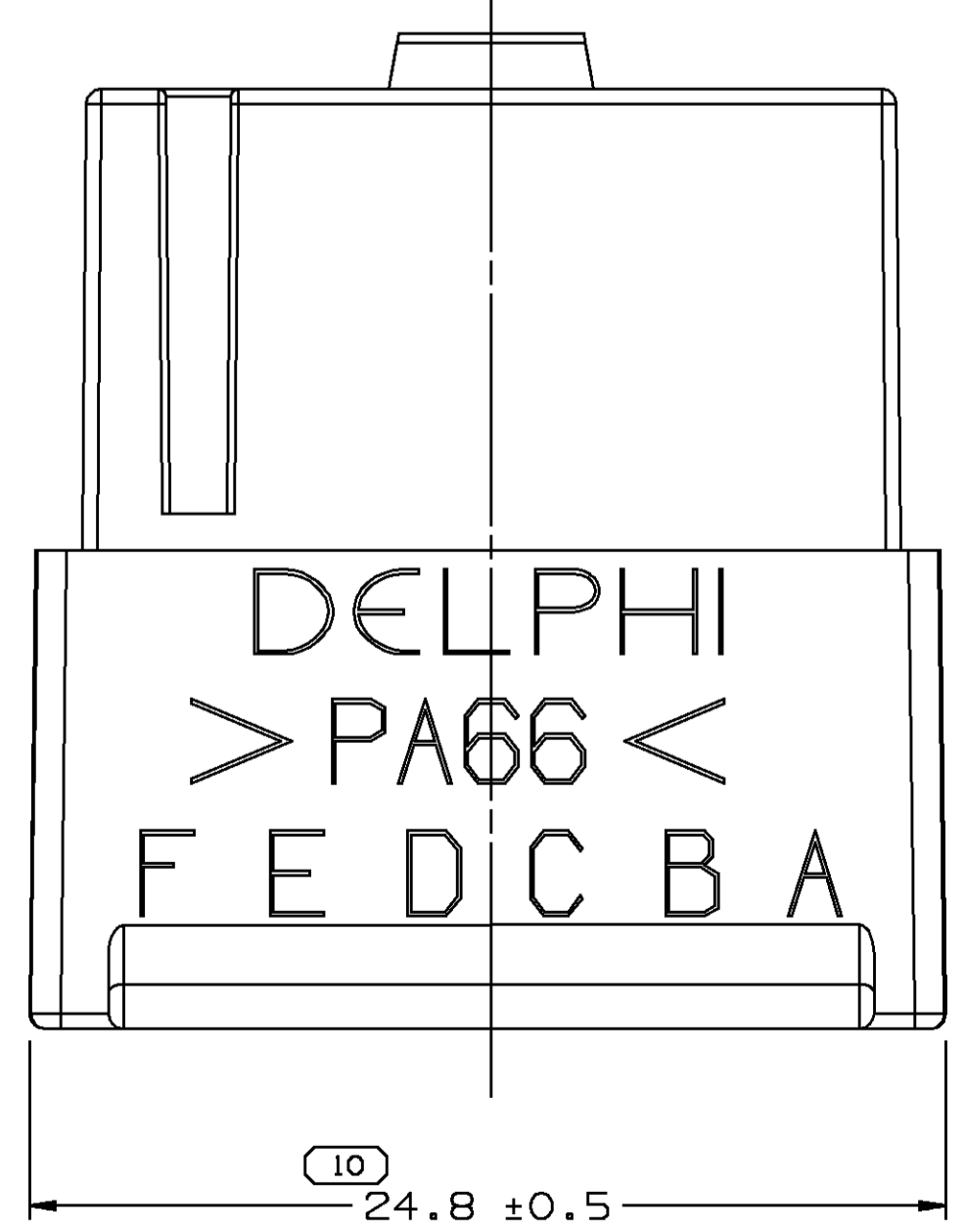
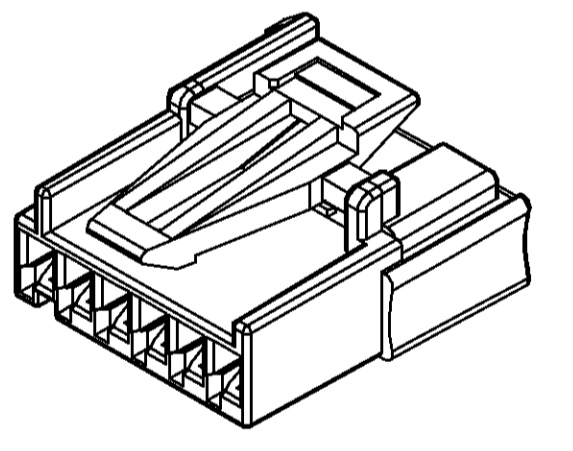
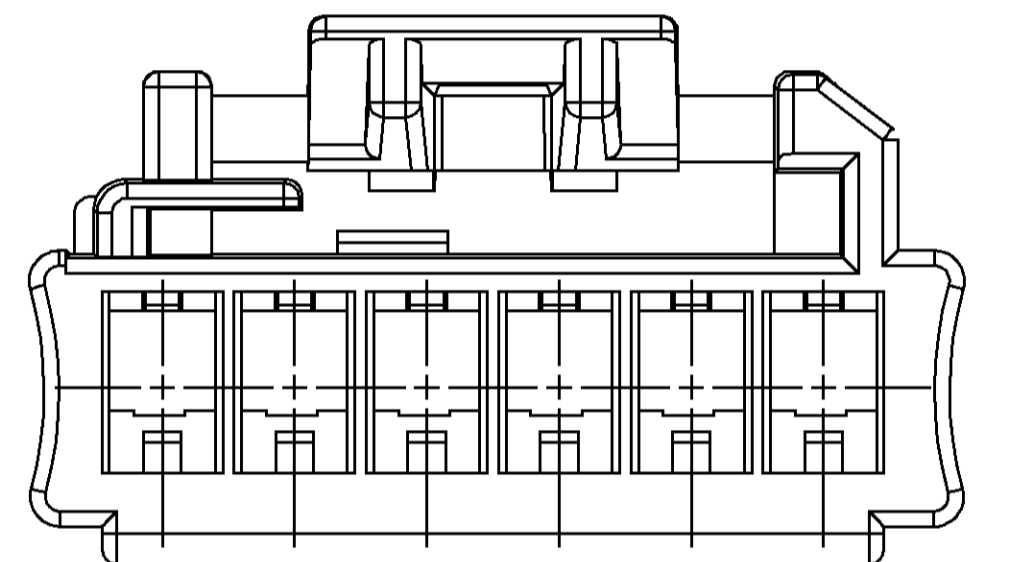
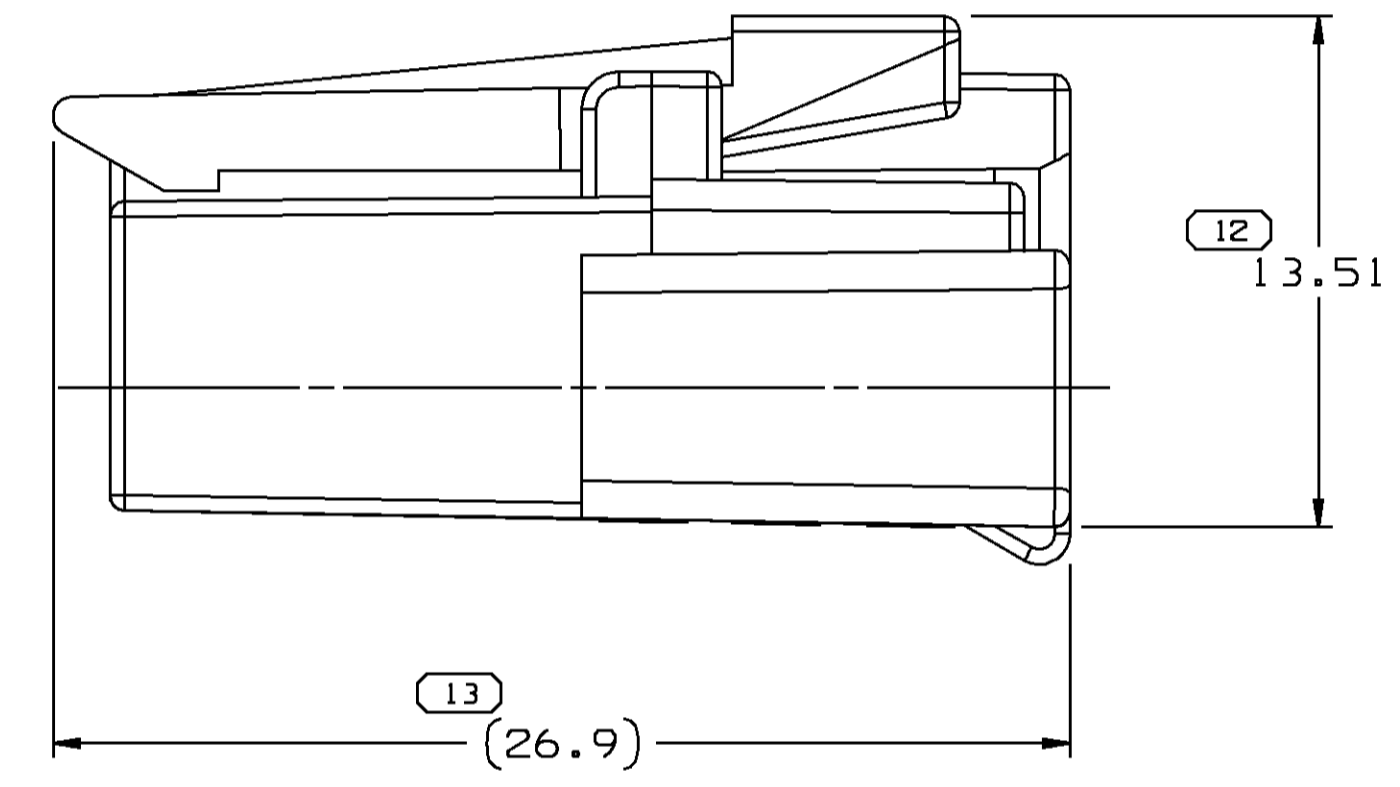
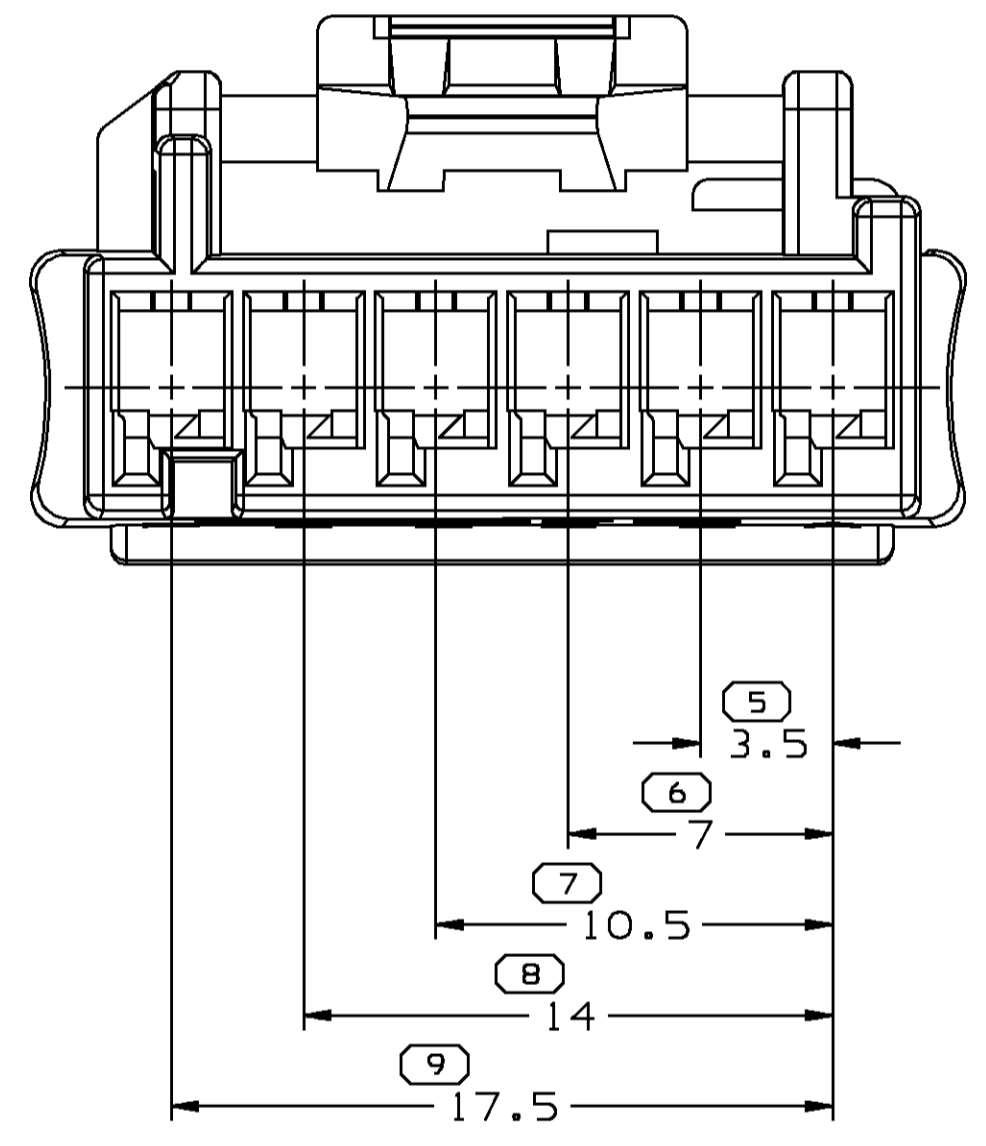
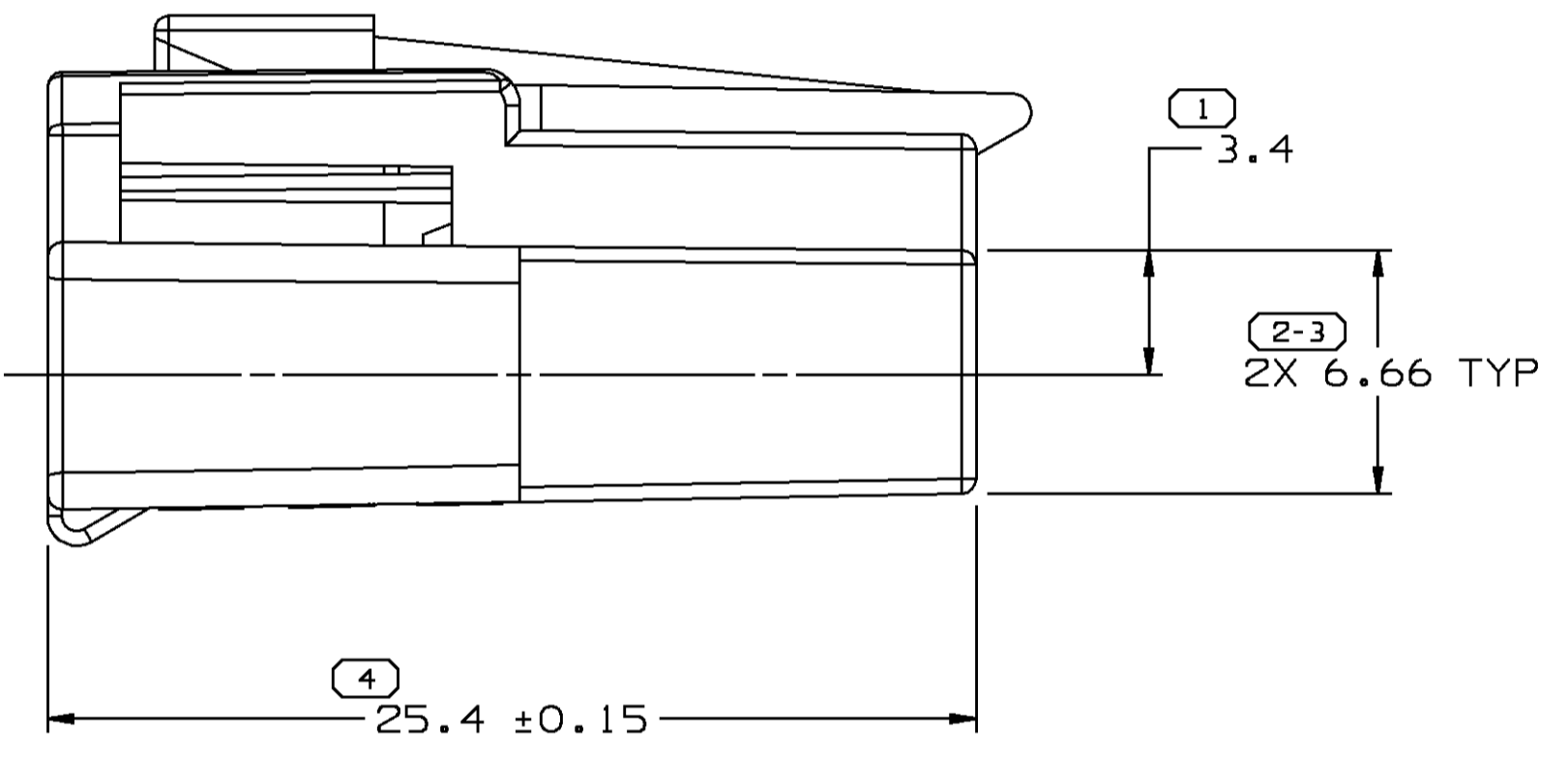
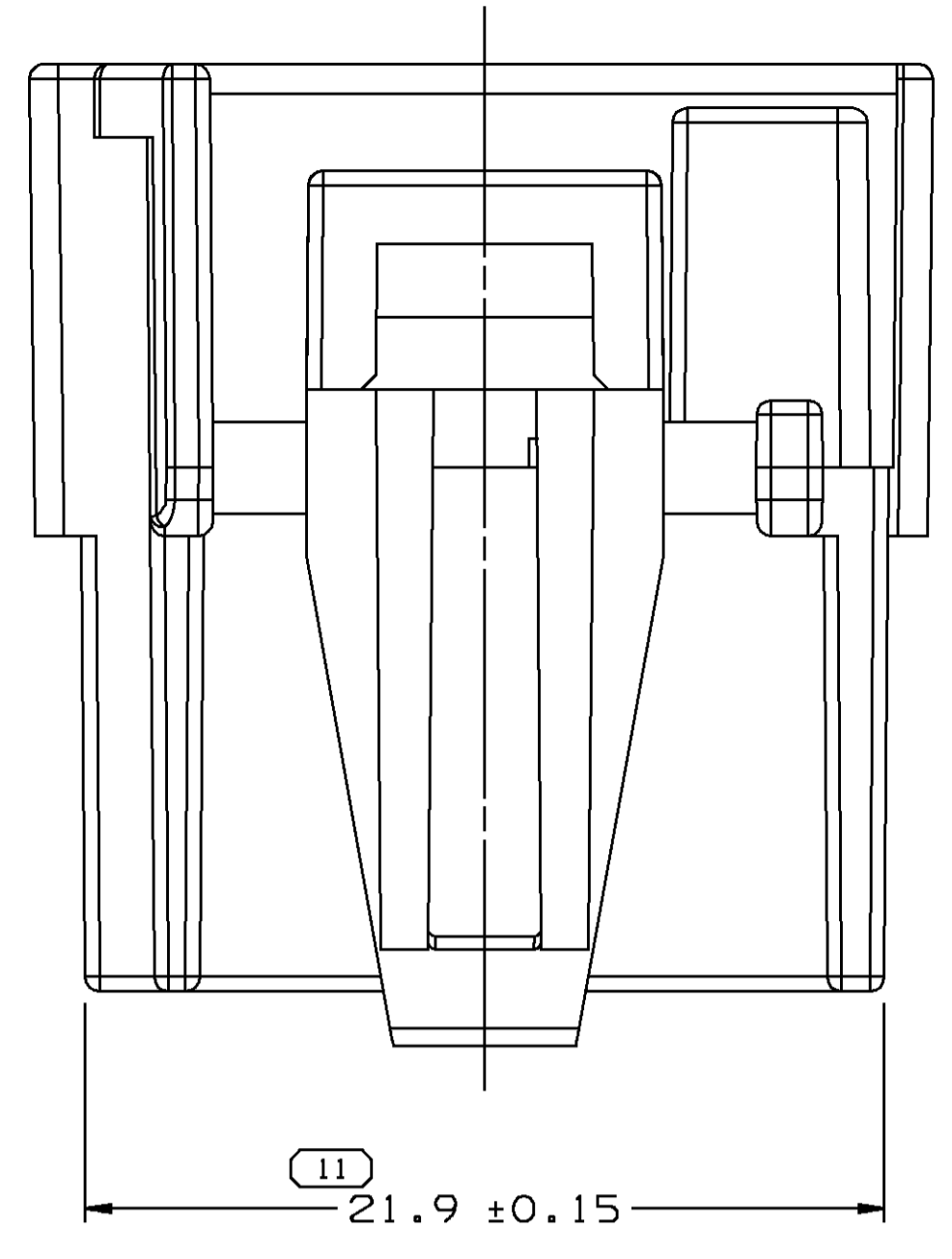


DO NOT SCALE

PART NO  
1533 6500

SYMBOL DEFINITION		MISSING NUMBERS	
THE NUMBER INSIDE THE SYMBOL 	TOTAL NO. OF SYMBOLS ON DRAWING	12	
CORRESPONDS TO THE NUMBER ON THE INSPECTION REPORT FOR THIS DRAWING/PART NUMBER	LAST NO. USED	13	

DATE	SYM	REVISION RECORD	AUTH	DR	CK
05MR98	A	WAS PE063051 & RELEASED	980005	JIL	JHV
12OC98	A1	UPDATED PDM ATTRIBUTES	190348	JHV	JHV

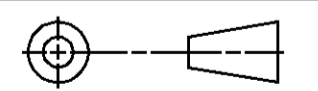


NOTES:

- UNLESS OTHERWISE SPECIFIED AND/OR INDICATED: DIMENSIONS ARE TO FACE OF VIEW SHOWN AND AUTOMATICALLY ROUNDED BY COMPUTER FOR INSPECTION. (SEE MATH MODEL FOR PRECISE DIMENSION) FOR ALL OTHER DIMENSIONS NOT SHOWN BUT REQUIRED FOR TOOL BUILD, SEE MATH MODEL FOR PRECISE TOOL PATH DATA.
- MATING COMPONENTS: TERMINAL 12124075 OR EQUIVALENT, CONNECTOR POSITION ASSURANCE LOCK 15318201 OR EQUIVALENT MATES TO INTERNAL MODE SWITCH OR EQUIVALENT
- TERMINAL POSITION ASSURANCE FEATURE IS ACHIEVED BY THE USE OF PULL TO SEAT TERMINAL DESIGN.
- CONNECTOR ENGAGE FORCE CODE 2.
- TOOL CAVITY IDENTIFICATION SHOULD BE LOCATED NEAR THE GATE.
- FOR MATING CONFIGURATION REQUIREMENTS SEE PART NUMBER 15354824.

PART NO  
1533 6500

PART DRAWING

**Unigraphics** THIRD ANGLE PROJECTION 

CODE NO 6901 QC

DWG DATE 05MR98 SCALE 5:1 DES

REFERENCE NO 001,701 DR JORGE IBARRA 05MR98 CK JOSE HUERTA 08MY98 APPR P. ALAKSIN 28MY98 VOL CM<sup>3</sup> 2.916

MATERIAL SPEC R0071787 PA66 HS IM-GRN LT

NAME CONN 6F M/P 150.2 P2S

PART NUMBER 1533 6500 SIZE A1

THE DIMENSION NUMBER(S) SHOWN BELOW INDICATE DIMENSIONS THAT ARE PROCESS SENSITIVE FOR PART PRODUCTION

(2-3) (4) (11)

DIMENSIONS ENCLOSED IN ( ) INDICATE REFERENCE DIMENSIONS AND NO TOLERANCE LIMITS ARE ESTABLISHED

DIMENSIONAL RANGE	
FROM	TO
0	> 20
> 20	> 30
> 30	> 70
> 70	> 100
> 100	> 100
TOLERANCE UNLESS OTHERWISE SPECIFIED	
±0.15 ±0.2   ±0.3 ±0.4   ±0.5	
ANGULAR TOLERANCE ± 2°	

DELPHI PACKARD ELECTRIC SYSTEMS WARREN, OHIO 44466

## X-ON Electronics

Largest Supplier of Electrical and Electronic Components

*Click to view similar products for [Automotive Connectors](#) category:*

*Click to view products by [APTIV](#) manufacturer:*

Other Similar products are found below :

[003-018-000](#) [60993906-B](#) [72.330.1035.1](#) [73.353.4028.0](#) [F358300-B](#) [F407400](#) [776880-1](#) [827153-1](#) [8N1515-32-24P](#) [9-1326729-8](#) [925474-1](#)  
[928905-1](#) [964562-4](#) [968782-1](#) [98891-1012](#) [12004475-L](#) [12041318-B](#) [12052466](#) [12015909](#) [1-21030-1](#) [12041318](#) [12047957](#) [12185550](#)  
[12336-12](#) [12147304](#) [13681974](#) [13755420](#) [13783086](#) [13832576](#) [13542772](#) [1393425-2](#) [13964573](#) [1428188-1](#) [1437287-3](#) [1438231-5](#)  
[1428188-2](#) [DS00-7P-090](#) [DS07-19S-5020](#) [1456983-5](#) [1456987-7](#) [APD-7CP-H](#) [APK-SB25A10L](#) [1452931-2](#) [15317331](#) [15435215](#) [15491972](#)  
[15305306](#) [15369261](#) [15396680](#) [15470590](#)