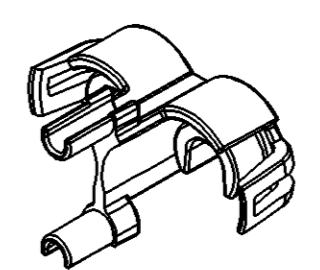
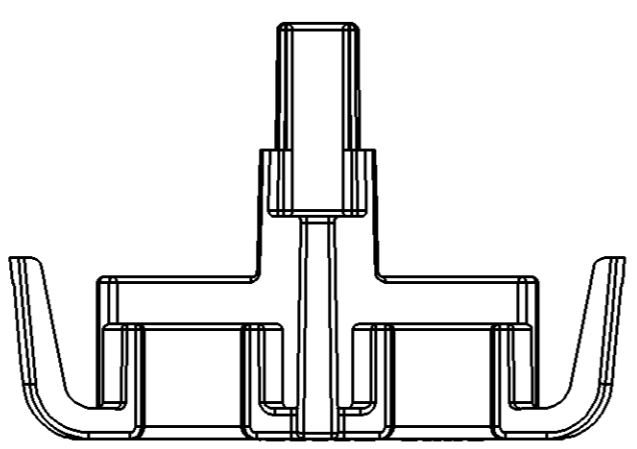
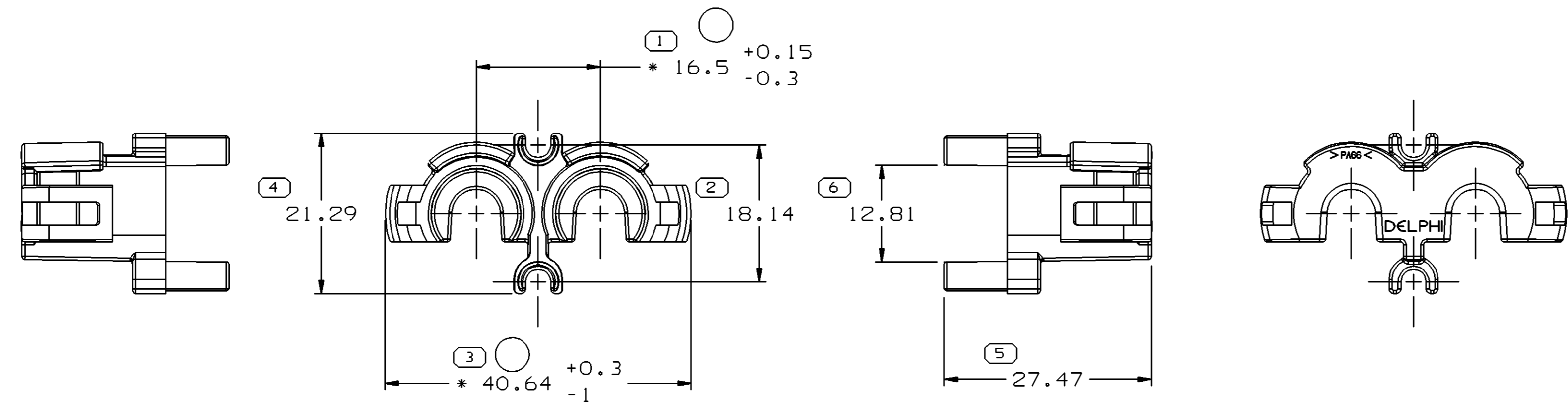
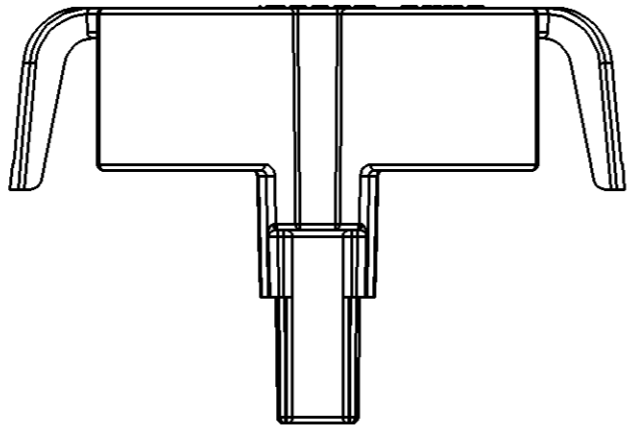


SYMBOL DEFINITION		
A DIMENSION WITHOUT AN INSPECTION REPORT SYMBOL () DOES NOT REQUIRE INSPECTION. IT MAY BE CONTROLLED ON THE INDIVIDUAL COMPONENT DRAWING.	TOTAL NO OF INSPECTIONS REQUIRED	6
	LAST NO. USED	6

MISSING SYMBOLS		DWG STATUS					ZONE	REVISION HISTORY			AUTH	DR	APVD 1	APVD 2
DATE	STG	REV	N/P	CHG										
18DE97	-	A	-	-				WAS PE069275 & RELEASED	970005	MVA	MVA	BF		
25JA98	-	B	-	-				27.47 WAS (27.47), ADDED 12.81 DIM AND REVISED LOCKS	186070	VER	TLP	BF		
09N098	-	B1	-	-				40.64 +0.3/-0.76 WAS 40.64, 16.5 +0.15/-0.25 WAS 16.5 & ADDED NOTE 3	190452	ROM	AUG	BF		
13AP05	R	B2	-	-				16.5 +0.15/-0.3 WAS 16.5 +0.15/-0.25 AND 40.64 +0.3/-1 WAS 40.64 +0.3/-0.7	265426	MM	MM	BG		



- NOTES
- UNLESS OTHERWISE SPECIFIED AND/OR INDICATED:
DIMENSIONS ARE TO FACE OF VIEW SHOWN AND AUTOMATICALLY ROUNDED BY COMPUTER FOR INSPECTION (SEE MATH MODEL FOR PRECISE DIMENSIONS). FOR ALL OTHER DIMENSIONS NOT SHOWN BUT REQUIRED FOR TOOL BUILD, SEE MATH MODEL FOR PRECISE TOOL PATH DATA.
 - REFERENCE MATING COMPONENTS OR EQUIVALENT:
CONNECTOR 15336743
 - DIMENSIONS WITH "*" ACCEPTABLE TO VARY PER TOLERANCE DUE TO BOW.

4 PROCESS SENSITIVE DIMENSION			
DIMENSIONS ENCLOSED IN () INDICATE REFERENCE DIMENSIONS AND NO TOLERANCE LIMITS ARE ESTABLISHED			
FROM	TO	CHART	E
0	20	30	70
20	30	70	100
TOLERANCE UNLESS OTHERWISE SPECIFIED			
±0.15	±0.2	±0.3	±0.4
ANGULAR TOLERANCE ±2°			

DWG TYPE PART DRAWING	
STYLE	
VOLUME (CM³) 2.695	DISTR CODE D
UNLESS OTHERWISE SPECIFIED THIS DOCUMENT IS IN ACCORDANCE WITH ASME Y14.5M-1994 AS AMENDED BY THE GM GLOBAL DIMENSIONING AND TOLERANCING ADDENDUM-2001. SEPARATE PATTERNS OF FEATURES MAY BE GAGED SEPARATELY REGARDLESS OF DATUM REFERENCES.	
ALL DIMENSIONS ARE IN MILLIMETERS	
REFERENCE	
THIRD ANGLE PROJECTION	DO NOT SCALE
USE MATH DATA	UNIGRAPHICS

DELPHI
DELPHI PACKARD ELECTRIC SYSTEMS
WARREN, OH

DR	DATE
APVD1 MANUEL VEGA	18DE97
APVD2 MANUEL VEGA	18DE97
APVD3 B. FLASK	16FE98
APVD4	
APVD5	

SUBSTANCES OF CONCERN AND RECYCLED CONTENT PER DELPHI 10949001

MATERIAL
M3592008 PLAS PA66 HS 1M BLU

DRAWING NAME
LOCK TPA BLU

DRAWING NUMBER
15336744

SIZE A1	SCALE 2:1	FRAME NO 1 OF 1	SHEET NO 1 OF 1	STG R	REV B2	N/P -
------------	--------------	--------------------	--------------------	----------	-----------	----------

X-ON Electronics

Largest Supplier of Electrical and Electronic Components

Click to view similar products for [Automotive Connectors](#) category:

Click to view products by [APTIV](#) manufacturer:

Other Similar products are found below :

[003-018-000](#) [60993906-B](#) [M902-2131](#) [M902-2161](#) [M902-2344](#) [72.330.1035.1](#) [73.353.4028.0](#) [F166900](#) [F358300-B](#) [F407400](#) [776880-1](#)
[827153-1](#) [8N1515-32-24P](#) [9-1326729-8](#) [925474-1](#) [928905-1](#) [964562-4](#) [968782-1](#) [98891-1012](#) [12004475-L](#) [12020308](#) [12041318-B](#)
[12052466](#) [12064869](#) [12015909](#) [1-21030-1](#) [12041254](#) [12041318](#) [12047946-B](#) [12110546-B](#) [12131792](#) [12084688](#) [12092346](#) [HD34-18-14PT](#)
[HD46-24-23SN-059](#) [HDB36-24-16PN-059](#) [HDP26-24-9SE-L015](#) [12185280](#) [12185550](#) [12336-12](#) [12191172-B](#) [12S](#) [13545280](#) [13577943](#)
[13681974](#) [13737722-B](#) [13830674](#) [13832576](#) [13849772](#) [13542772](#)