
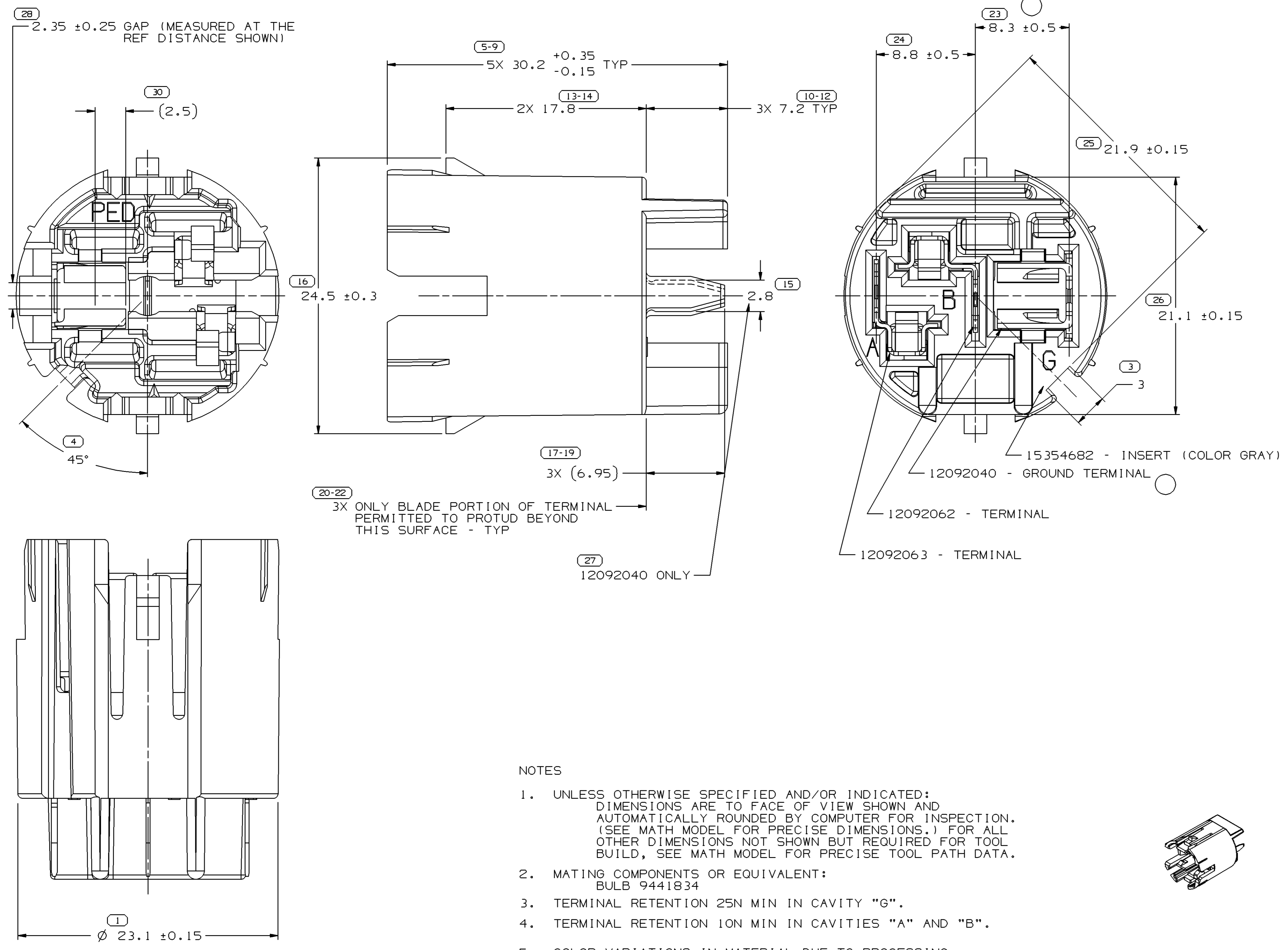
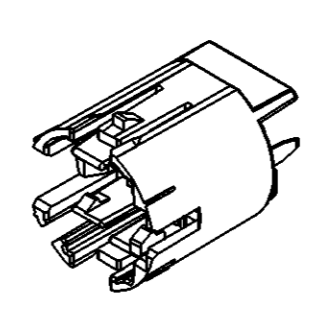


SYMBOL DEFINITION		MISSING NUMBERS	
A DIMENSION WITHOUT AN INSPECTION REPORT SYMBOL  DOES NOT REQUIRE INSPECTION. IT MAY BE CONTROLLED ON AN INDIVIDUAL COMPONENT DRAWING.	TOTAL NO. OF SYMBOLS ON DRAWING	17	2,29,
	LAST NO. USED	30	

DWG STATUS					ZONE	REVISION HISTORY	AUTH	DR	APVD1	APVD2
DATE	STG	REV	N/P	CHG						
23JA02	R	02	AG	-		CLEARED REV COL & REVISED DIM PLACES (1 PLC)	219182	RVP	RVP	AL
21JA02	R	03	-	-		REVISED GRAPHICS	218736	RVP	RVP	AL
18AP02	R	04	-	-		REVISED GRAPHICS	224130	RVP	RVP	AL
17DE03	R	04	AA	-		REVISED COLOR IS GRAY WAS BLK	250147	MAC	MAC	MEF
28AP04	R	05	-	-		REVISED TERMINAL 12092040; DIM 23 CORRECTED (WAS 8.4).	253560	LMB	LMB	BR



- NOTES
- UNLESS OTHERWISE SPECIFIED AND/OR INDICATED: DIMENSIONS ARE TO FACE OF VIEW SHOWN AND AUTOMATICALLY ROUNDED BY COMPUTER FOR INSPECTION. (SEE MATH MODEL FOR PRECISE DIMENSIONS.) FOR ALL OTHER DIMENSIONS NOT SHOWN BUT REQUIRED FOR TOOL BUILD, SEE MATH MODEL FOR PRECISE TOOL PATH DATA.
 - MATING COMPONENTS OR EQUIVALENT: BULB 9441834
 - TERMINAL RETENTION 25N MIN IN CAVITY "G".
 - TERMINAL RETENTION 10N MIN IN CAVITIES "A" AND "B".
 - COLOR VARIATIONS IN MATERIAL DUE TO PROCESSING CONDITIONS AND UNEVEN COOLING THROUGH NON-UNIFORM WALL THICKNESS ARE PERMISSIBLE.



DIMENSIONAL RANGE (MM)		TOLERANCE UNLESS OTHERWISE SPECIFIED		ANGULAR TOLERANCE ±°	
FROM	TO				
> 0	> 20	±0.15	±0.2	±0.3	±0.4
> 20	> 30	±0.2	±0.3	±0.4	±0.5
> 30	> 70	±0.3	±0.4	±0.5	±0.6
> 70	> 100	±0.4	±0.5	±0.6	±0.8
> 100	> 150	±0.5	±0.6	±0.8	±1
> 150	> 200	±0.6	±0.8	±1	±1.2
> 200	> 250	±0.8	±1	±1.2	
> 250	> 300	±1	±1.2		
> 300	> 400	±1.2			

DWG TYPE		PART DRAWING	
STYLE			
VOLUME (CM³)	DISTR CODE		
ROUTING	D		
6900			
UNLESS OTHERWISE SPECIFIED			
THIS DOCUMENT IS IN ACCORDANCE WITH ASME Y14.5M-1994 AS AMENDED BY THE GM GLOBAL DIMENSIONING AND TOLERANCING ADDENDUM - 1997. ALL GEOMETRIC TOLERANCES AND RELATED DATUMS APPLY RFS. RULE #1 PERFECT FORM AT MMC DOES NOT APPLY WHEN RELATIONSHIP BETWEEN FEATURES IS ESTABLISHED BY ORIENTATION OR LOCATION TOLERANCES. SEPARATE POSITION CALLOUTS MAY BE GAGED SEPARATELY, REGARDLESS OF DATUM REFERENCE. ALL DIMENSIONS ARE IN MILLIMETERS			
THIRD ANGLE PROJECTION			
DO NOT SCALE			
USE MATH DATA			

DELPHI
DELPHI PACKARD ELECTRIC SYSTEMS
WARREN, OH

DR	DATE
APVD1 P. CASTRILLON	01JL99
APVD2 M. VEGA	09JL99
APVD3 A. LOPEZ	13JN02
APVD4	
APVD5	

SUBSTANCES OF CONCERN AND RECYCLED CONTENT PER DELPHI 10949001

MATERIAL

SEE DRAWING

DRAWING NAME

ASM LOCK INSERT LP SOC WGE BSE W3 GRA

DRAWING NUMBER

15354683

SIZE	SCALE	FRAME NO	SHEET NO	STG	REV	N/P
A1	5:1	1 OF 1	1 OF 1	R	05	-

X-ON Electronics

Largest Supplier of Electrical and Electronic Components

Click to view similar products for [Automotive Connectors](#) category:

Click to view products by [APTIV](#) manufacturer:

Other Similar products are found below :

[003-018-000](#) [60993906-B](#) [M902-2131](#) [M902-2161](#) [M902-2344](#) [72.330.1035.1](#) [73.353.4028.0](#) [F166900](#) [F358300-B](#) [F407400](#) [776880-1](#)
[827153-1](#) [8N1515-32-24P](#) [9-1326729-8](#) [925474-1](#) [928905-1](#) [964562-4](#) [968782-1](#) [98891-1012](#) [12004475-L](#) [12020308](#) [12041318-B](#)
[12052466](#) [12064869](#) [12015909](#) [1-21030-1](#) [12041254](#) [12041318](#) [12047946-B](#) [12110546-B](#) [12131792](#) [12084688](#) [12092346](#) [HD34-18-14PT](#)
[HD46-24-23SN-059](#) [HDB36-24-16PN-059](#) [HDP26-24-9SE-L015](#) [12185280](#) [12185550](#) [12336-12](#) [12191172-B](#) [12S](#) [13545280](#) [13577943](#)
[13681974](#) [13737722-B](#) [13830674](#) [13832576](#) [13849772](#) [13542772](#)