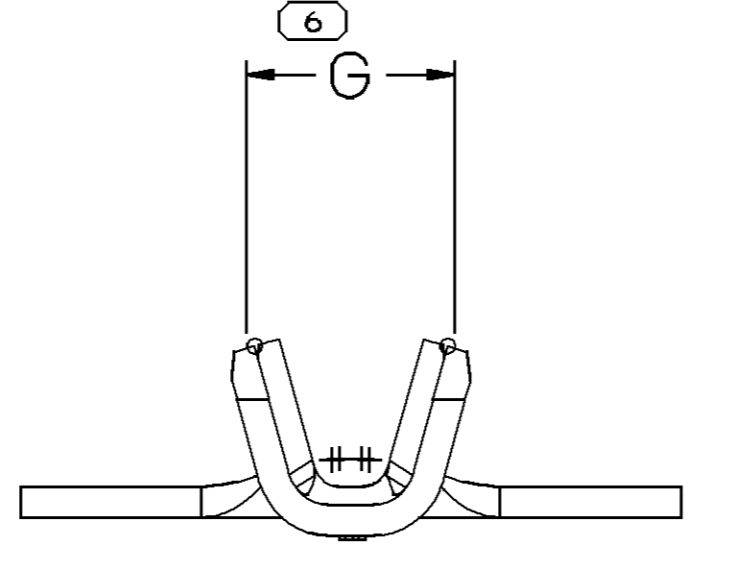
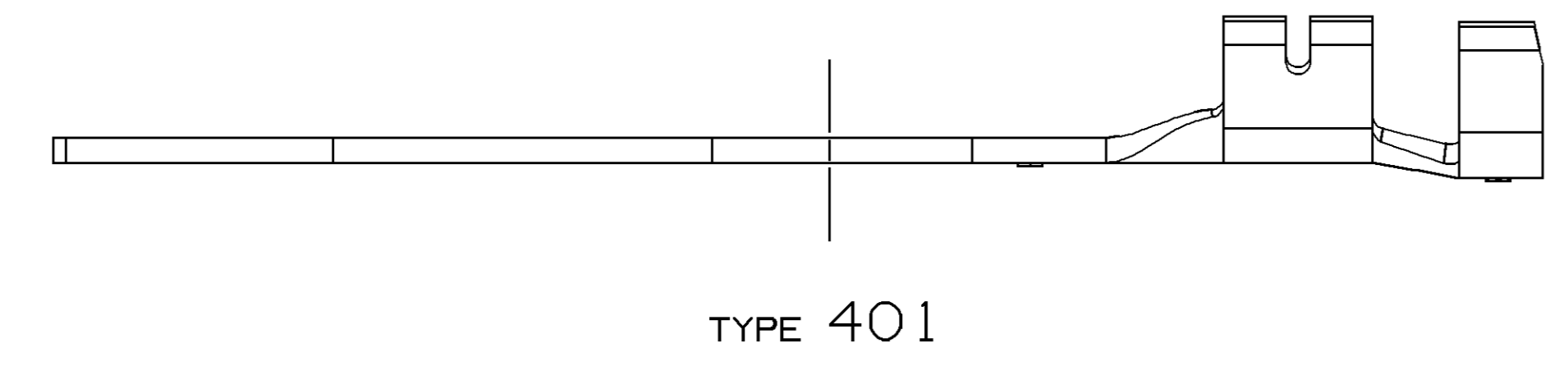
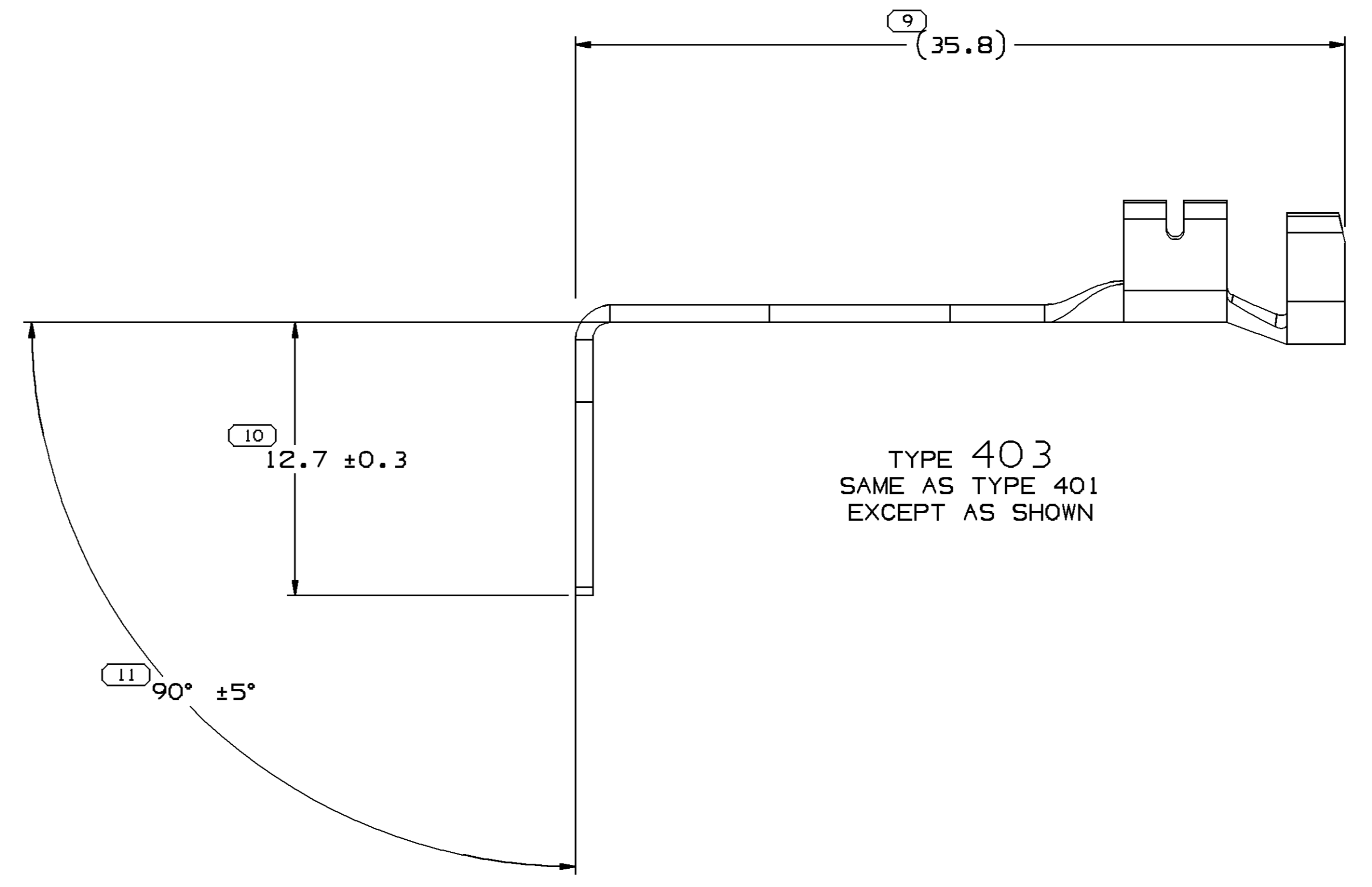
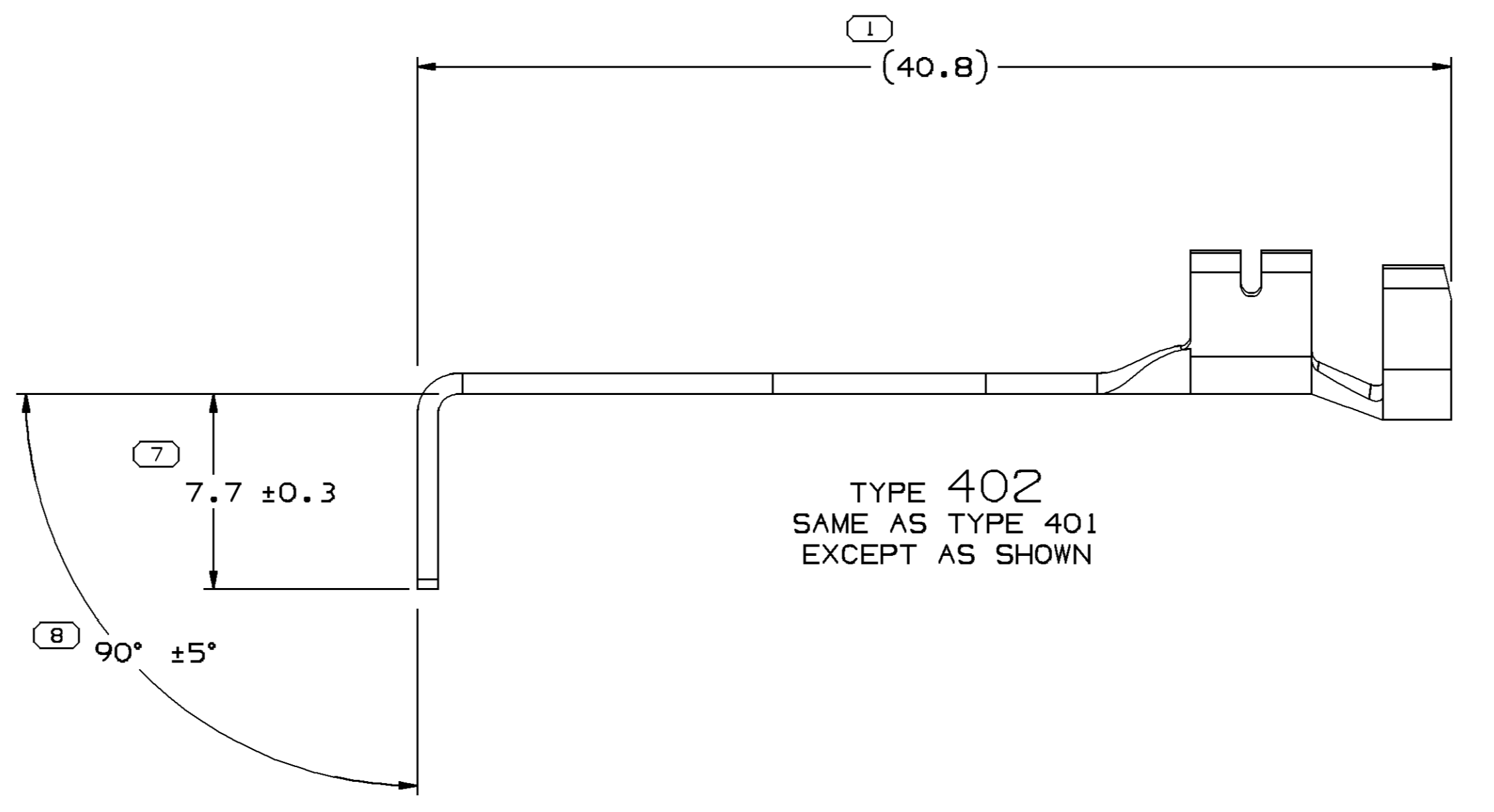
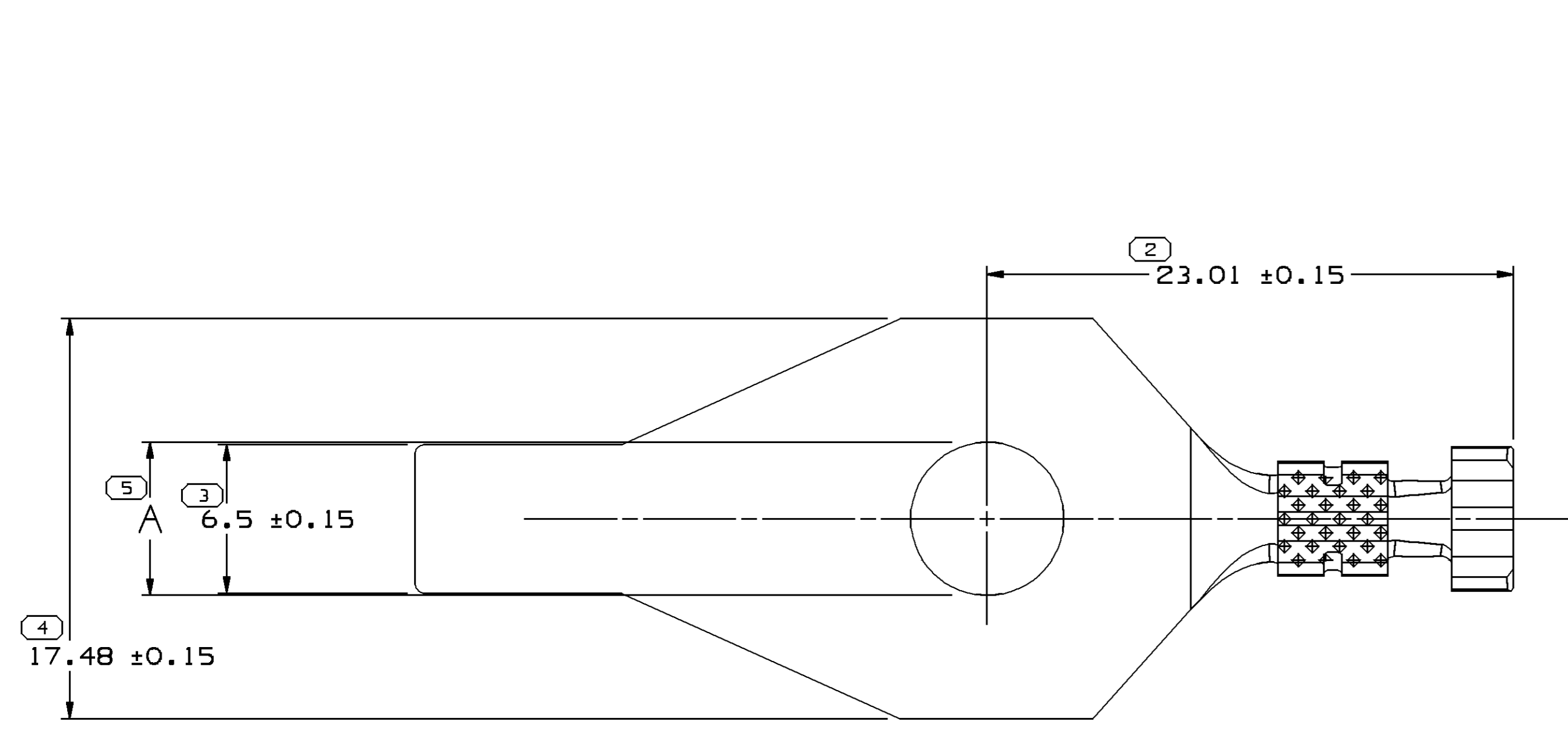


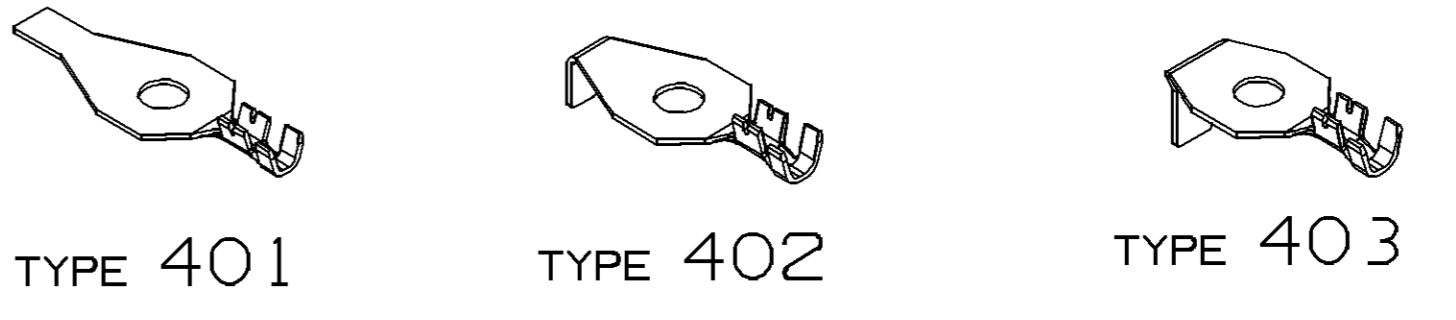
SYMBOL DEFINITION		MISSING NUMBERS	
A DIMENSION WITHOUT AN INSPECTION REPORT SYMBOL () DOES NOT REQUIRE INSPECTION. IT MAY BE CONTROLLED ON AN INDIVIDUAL COMPONENT DRAWING.	TOTAL NO. OF SYMBOLS ON DRAWING	11	
	LAST NO. USED	11	

DWG STATUS				REVISION HISTORY				AUTH		DR		APVD	
DATE	STG	REV	N/P	CHG	ZONE								
16FE99	R	001	-	-		CLEARED REV COLUMN: ALL PARTS - REDRAWN TO PD1 15366093 & 15366094	RELEASED	990005	AAS	JHV	EH		
01JL99	R	002	-	-		15355521 & 15355522	RELEASED	990005	MM	MM	EH		
01JL99	R	003	-	-		15366093 & 15366094	REVISED TRANSITION	195156	MM	MM	EH		
01JL99	R	004	-	-		15354753-58, 15317690, 15326149, 15326158, 15326567-68, 15326570, 15355130, & 15355138	REVISED TRANSITION	195157	MM	MM	EH		
01JL99	R	005	-	-		15326150 & 15354752	OBSOLETE	990003	MM	MM	EH		
09OC99	R	006	-	-		15326150 - MAT'L SPEC WAS 14354757		196702	FRG	FRV	EH		
09OC99	R	007	-	-		15326150 & 15354752	REINSTATED	990010	FRG	FRV	EH		
25NO99	R	008	-	-		15355521 & 15366093	UPDATED PDM ATTRIBUTES	197577	APV	FRV	EH		
24DE99	R	009	-	-		15358895 & 15358896	RELEASED	990005	JLL	RMM	EH		
15MR00	R	010	-	-		15326150 & 15354752	OBSOLETE	000003	AAS	JVM	EH		
02AU00	R	011	-	-		15355522 - MAT'L SPEC WAS 15355221		202390	EVV	MVA	EH		
08JA01	R	012	-	-		ALL ACTIVE PARTS - ADDED TYPE TO CHART		205664	MAC	MAC	AK		
08JA01	R	013	-	-		15405494	RELEASED	205655	MAC	MAC	AK		
02FE01	R	014	-	-		15406191	RELEASED	206582	ECB	FRG	AK		
02FE01	R	015	-	-		15405494 - MAT'L SPEC WAS 15355221		206373	ECB	FRG	AK		
08MR01	R	016	-	-		15355521 & 15355522 - 6.7 WAS 8.5		207390	JLL	JLL	EH		
24OC01	R	017	-	-		ALL ACTIVE PARTS: UPDATED PDM ATTRIBUTES		216271	EES	EES	AK		
20AU02	R	18	-	-		15443842	RELEASED	230300	CJC	CJC	WM		
10OC05	R	19	-	-		13544515	RELEASED	273093	RTV	FRG	TP		
20JAO6	R	20	-	-		UPDATED PDM ATTRIBUTES		276615	BLG	AUG	TP		



PART NO	REV	N/P	STATUS	TYPE	MAT'L SIZE	MAT'L SPEC	SIZE (MM²)	ID	DIA _{±0.15}	A _{±0.1}	G _{±0.3}
13544515	01	AA		403	-	15354758	8	8	6.35	8.5	-
15443842	01	AA		403	-	15358895	5	10	4.5	10.6	-
15406191	001	AB		401	0.813 X 48	PM00159B A69 210 GILDING EX SPR SN PLTD	1 - 0.8	17	2.7	10.6	3.6
15405494	002	AB		402	-	15406191	1 - 0.8	17	2.7	10.6	-
15366094	002	AC		402	-	15366093	1 - 0.8	17	2.7	8.5	-
15366093	002	AD		401	0.813 X 48	PM00159B A69 210 GILDING EX SPR SN PLTD	1 - 0.8	17	2.7	8.5	3.6
15358896	001	AC		402	-	15358895	5	10	4.5	10.6	-
15358895	001	AC		401	0.813 X 48	PM00159B A69 210 GILDING EX SPR SN PLTD	5	10	4.5	10.6	5.6
15355522	001	AE		402	-	15355521	1 - 0.8	17	2.7	6.7	-
15355521	001	AE		401	0.813 X 48	PM00159B A69 210 GILDING EX SPR SN PLTD	1 - 0.8	17	2.7	6.7	3.6
15355138	A5	-		401	0.813 X 48	PM00159B A69 210 GILDING EX SPR SN PLTD	3 - 2	13	3.7	10.6	5
15355130	A5	-		402	-	15355138	3 - 2	13	3.7	10.6	-
15354758	B6	-		401	0.813 X 48	PM00159B A69 210 GILDING EX SPR SN PLTD	8	8	6.35	8.5	7.1
15354757	B6	-		401	0.813 X 48	PM00159B A69 210 GILDING EX SPR SN PLTD	5	10	4.5	8.5	5.6
15354756	B6	-		401	0.813 X 48	PM00159B A69 210 GILDING EX SPR SN PLTD	3 - 2	13	3.7	8.5	5
15354755	B6	-		401	0.813 X 48	PM00159B A69 210 GILDING EX SPR SN PLTD	8	8	6.35	6.7	7.1
15354754	B6	-		401	0.813 X 48	PM00159B A69 210 GILDING EX SPR SN PLTD	5	10	4.5	6.7	5.6
15354753	B6	-		401	0.813 X 48	PM00159B A69 210 GILDING EX SPR SN PLTD	3 - 2	13	3.7	6.7	5
15354752	B5	-	OBSOLETE	401	0.813 X 48	PM00159B A69 210 GILDING EX SPR SN PLTD	1 - 0.8	17	2.7	6.7	3.6
15326570	B6	-		402	-	15354757	5	10	4.5	8.5	-
15326568	B5	-		402	-	15354756	3 - 2	13	3.7	8.5	-
15326567	B5	-		402	-	15354758	8	8	6.35	8.5	-
15326158	B5	-		402	-	15354753	3 - 2	13	3.7	6.7	-
15326150	B4	-	OBSOLETE	-	-	15354752	1 - 0.8	17	2.7	6.7	-
15326149	B5	-		402	-	15354755	8	8	6.35	6.7	-
15317690	B5	-		402	-	15354754	5	10	4.5	6.7	-

NOTES
 1. UNLESS OTHERWISE SPECIFIED AND/OR INDICATED:
 DIMENSIONS ARE TO FACE OF VIEW SHOWN AND AUTOMATICALLY ROUNDED BY COMPUTER FOR INSPECTION. (SEE MATH MODEL FOR PRECISE DIMENSIONS.) FOR ALL OTHER DIMENSIONS NOT SHOWN BUT REQUIRED FOR TOOL BUILD, SEE MATH MODEL FOR PRECISE TOOL PATH DATA.



PROCESS SENSITIVE DIMENSION	SCREW STANDARD	THIRD ANGLE PROJECTION	DO NOT SCALE
6.7 ±0.1	M6	1/4	
8.5 ±0.1	M8	5/16	
10.6 ±0.1	M10	3/8	
"A" DIA.	METRIC STANDARD		
	SCREW SIZE		

DELPHI
 DELPHI PACKARD ELECTRIC SYSTEMS
 WYOMING, OH

DR	DATE
APV01 R. GUERRERO	03FE98
APV02 A. GALDE G	16FE98
APV03 R. LAIRD	03MR98
APV04	

SUBSTANCES OF CONCERN AND RECYCLED CONTENT PER DELPHI 10949001

DRAWING NAME: TAXI TERM RING

DRAWING NUMBER: 12103500

SIZE: A0 SCALE: 5:1 FRG: 1 OF 1 SHEET NO: 4 OF 4 REV: 1 N/P: 20

Part: 12103500-0001-004 Date: 03-10-06 Time: 12:14

X-ON Electronics

Largest Supplier of Electrical and Electronic Components

Click to view similar products for [Automotive Connectors](#) category:

Click to view products by [APTIV](#) manufacturer:

Other Similar products are found below :

[003-018-000](#) [60403001](#) [60993906-B](#) [629515004020001](#) [M902-2131](#) [M902-2161](#) [72.330.1035.1](#) [73.353.4028.0](#) [F119300-B](#) [F166900](#)
[F258300-B](#) [F358300-B](#) [F407400](#) [F444110](#) [F487000](#) [F509500B-B](#) [827153-1](#) [8N1515-32-24P](#) [9-1326729-8](#) [925474-1](#) [928905-1](#) [964562-4](#)
[968782-1](#) [GT17SA-8DS-HU](#) [98891-1012](#) [98947-1016](#) [12004475-L](#) [12010290](#) [12010309-B](#) [12015454](#) [12020219-B](#) [12020308](#) [12041318-B](#)
[12052225-L](#) [12052466](#) [12059125](#) [12064869](#) [12004327-B](#) [12010503-B](#) [12015308](#) [12015384](#) [12015909](#) [1-21030-1](#) [12041254](#) [12041318](#)
[12047946-B](#) [12047957](#) [12047957-L](#) [12059473](#) [12066261](#)