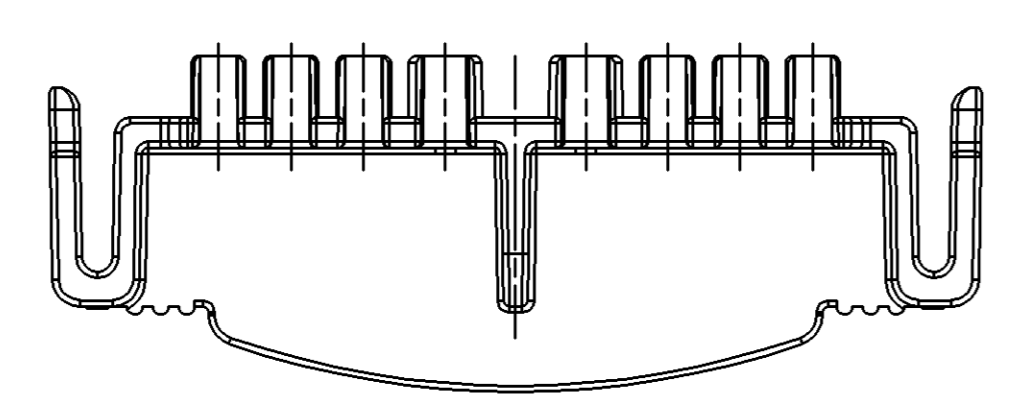
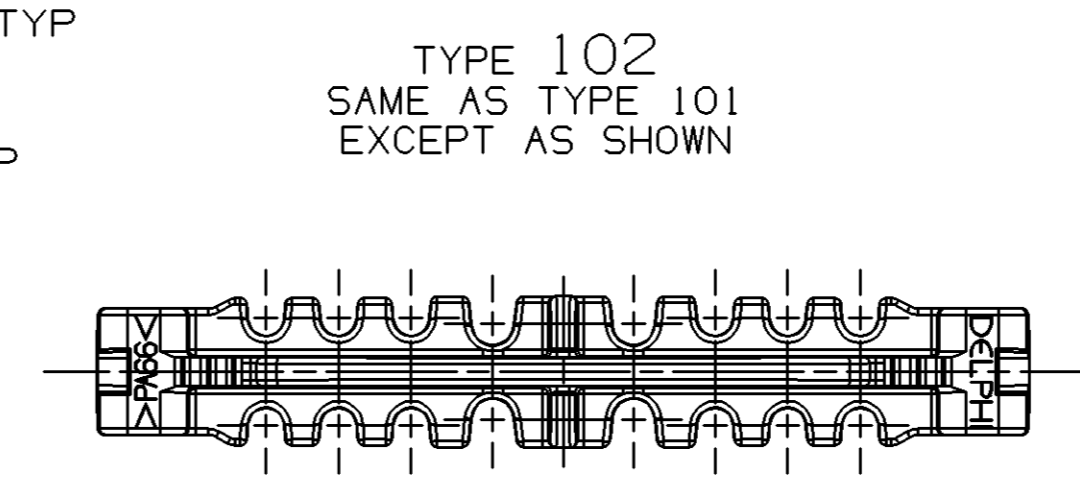
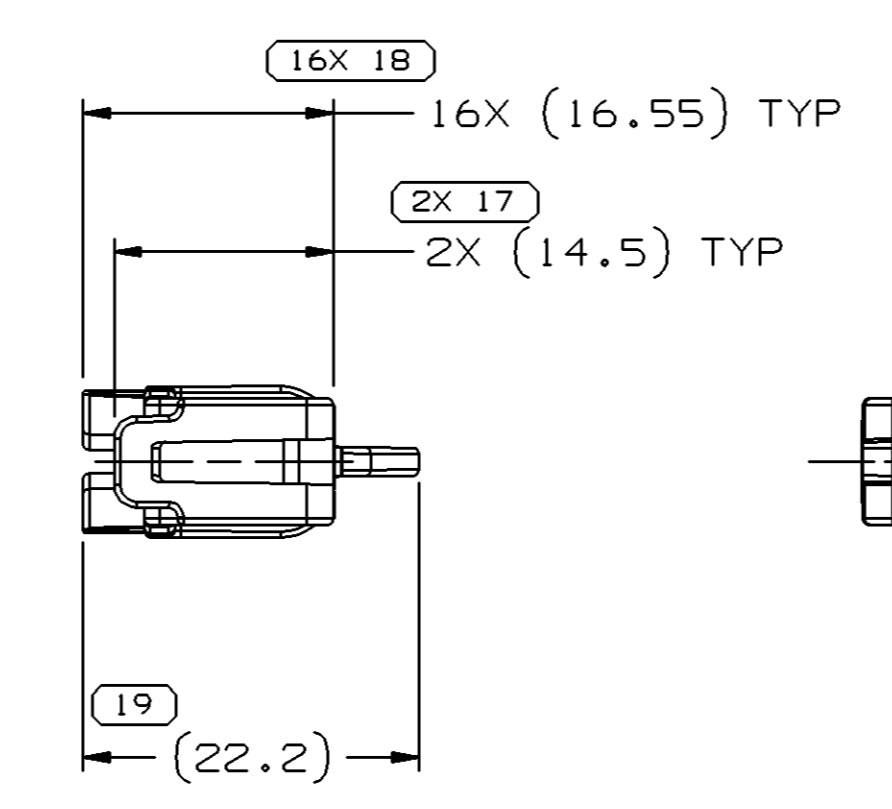
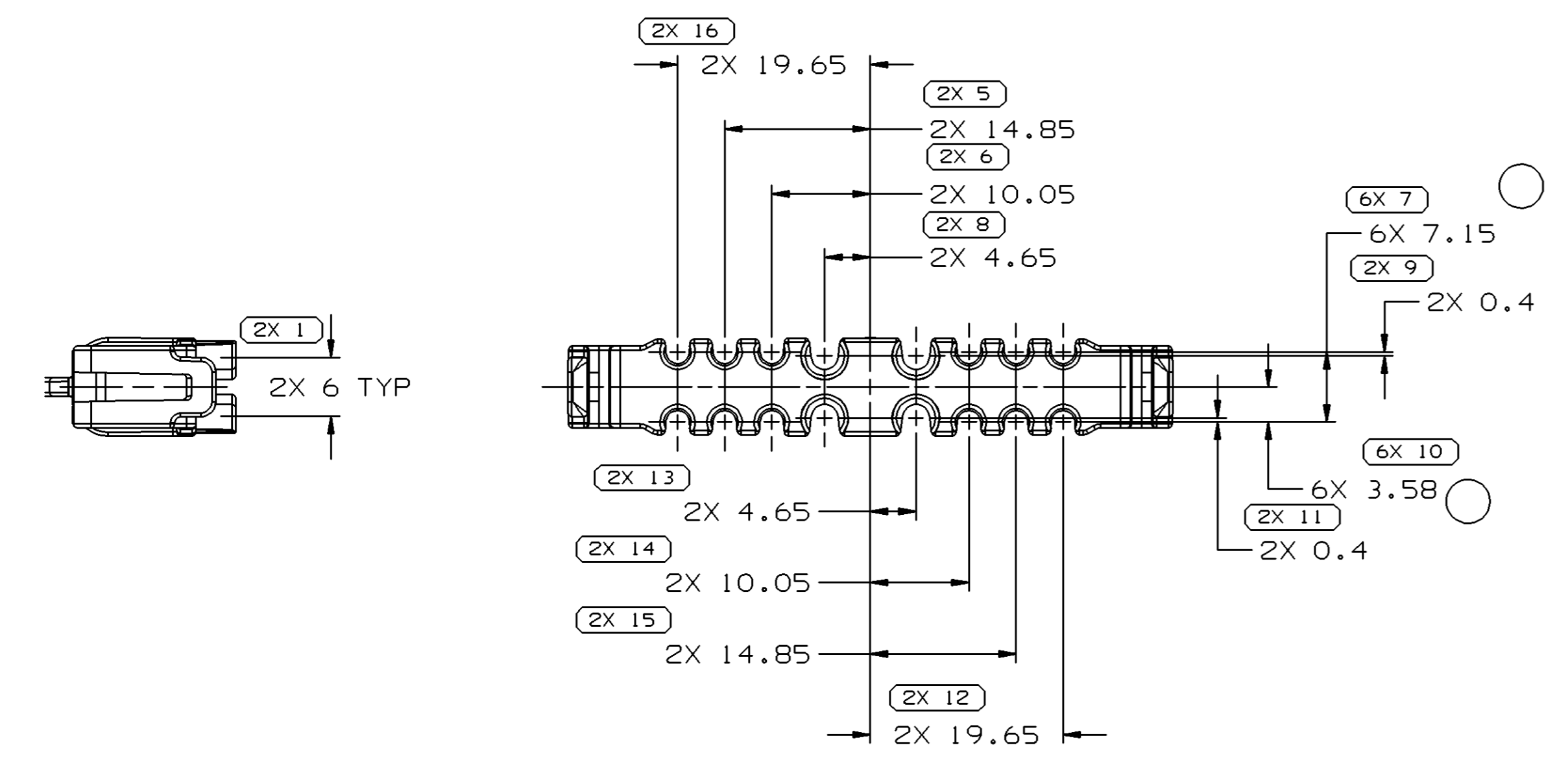
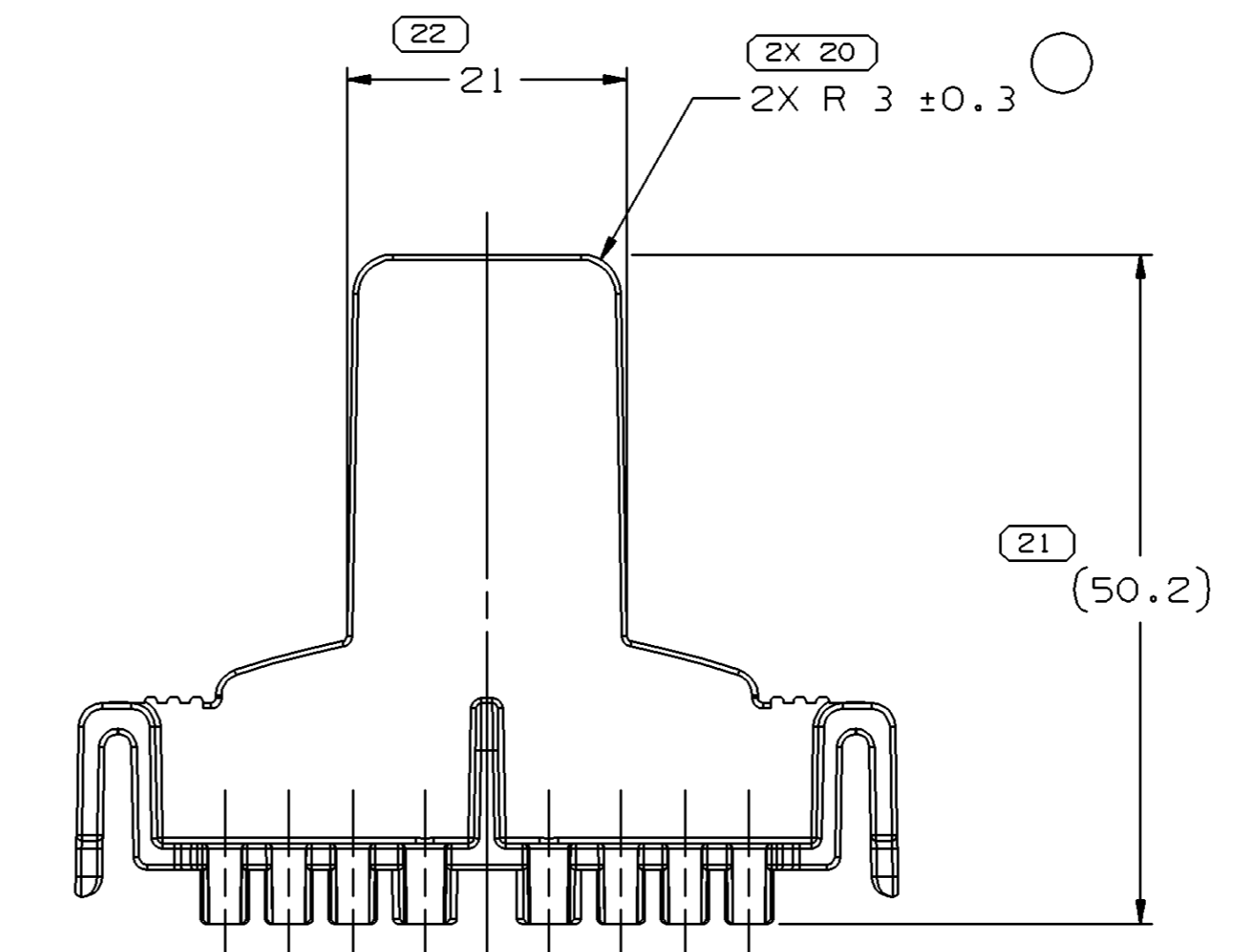
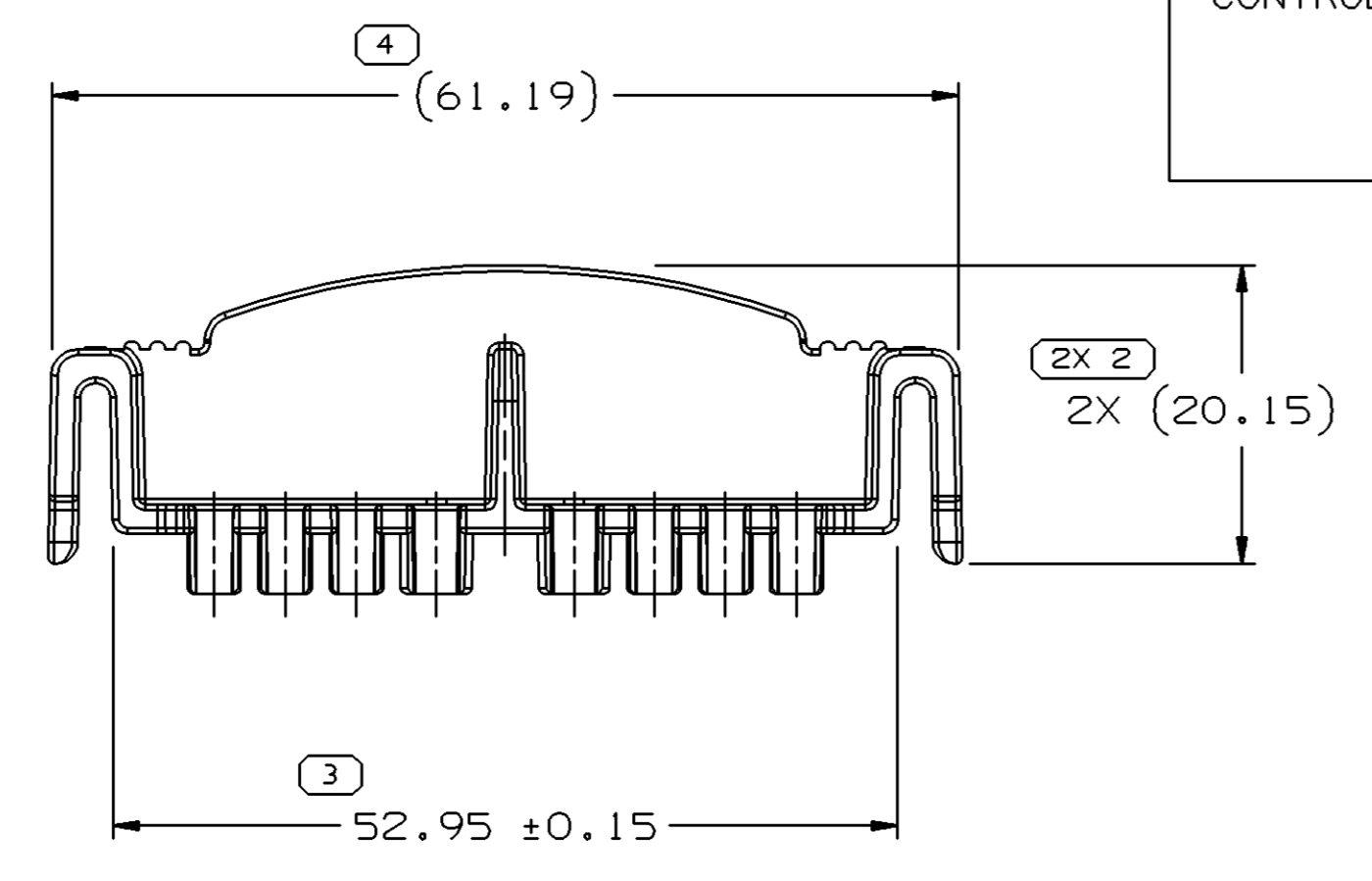


| SYMBOL DEFINITION  |  |
|--|--|
| A DIMENSION WITHOUT AN INSPECTION REPORT SYMBOL ( ) DOES NOT REQUIRE INSPECTION. IT MAY BE CONTROLLED ON THE INDIVIDUAL COMPONENT DRAWING. | TOTAL NO OF INSPECTIONS REQUIRED<br>61 |
|  | LAST NO. USED<br>22                    |

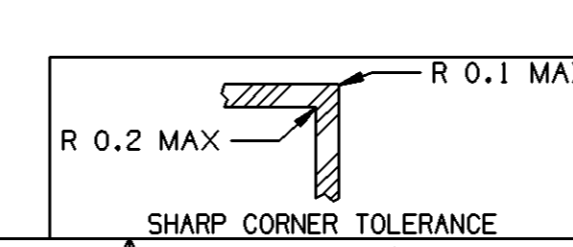
| MISSING SYMBOLS |     | DWG STATUS |     |     |  |  | ZONE | REVISION HISTORY  |        | AUTH | DR  | APVD1 | APVD2 |
|-----------------|-----|------------|-----|-----|--|--|------|---|--------|------|-----|-------|-------|
| DATE            | STG | REV        | N/P | CHG |  |  |      |   |        |      |     |       |       |
| 28MR01          | R   | 001        | -   | -   |  |  |      | 15355359 WAS SEPERATE DRAWING, 15410209 RELEASED  | 208294 | CJC  | CJC | CAM   |       |
| 29N001          | R   | 002        | -   | -   |  |  |      | UPDATED TOLERANCES  | 217960 | CJC  | CJC | CAM   |       |
| 26FE03          | R   | 03         | -   | -   |  |  |      | ALL PARTS - REVISED MATL SPEC WAS R0071790; DIMS WERE 8X 7.15 & 8X 3.58; 15410209 - DIM WAS 2X R3 | 237366 | MAC  | MAC | MP    |       |



TYPE 101

NOTES

- UNLESS OTHERWISE SPECIFIED AND/OR INDICATED: DIMENSIONS ARE TO FACE OF VIEW SHOWN AND AUTOMATICALLY ROUNDED BY COMPUTER FOR INSPECTION. (SEE MATH MODEL FOR PRECISE DIMENSIONS.) FOR ALL OTHER DIMENSIONS NOT SHOWN BUT REQUIRED FOR TOOL BUILD, SEE MATH MODEL FOR PRECISE TOOL PATH DATA.
- MATING COMPONENTS OR EQUIVALENT: CONNECTOR 15366099
- TPA IS DESIGNED FOR USE WITH 2-RIB CABLE SEALS AS SHOWN ON 12191227 OR EQUIVALENT.
- MATERIAL RECYCLING CODE >PA66< PER SAE J1344. (2.31X(0.1) RAISED CHARACTERS AS SHOWN TO BE LOCATED ON ANY EXTERIOR SURFACE. OPTIONAL CONSTRUCTION TO BE NO MATERIAL RECYCLING CODE.
- (2.31X(0.1) RAISED DELPHI CORPORATE BRAND TO BE LOCATED ON ANY EXTERIOR SURFACE, PREFERABLY VISIBLE AT FINAL ASSEMBLY. OPTIONAL CONSTRUCTION TO BE "PED" OR NO LOGO.



| DIMENSIONAL RANGE (MM) |      | CHART E1  |           |
|------------------------|------|-----------|-----------|
| FROM                   | TO   | TOLERANCE | REFERENCE |
| >0                     | >20  | ±0.15     | ±0.2      |
| >20                    | >30  | ±0.3      | ±0.4      |
| >30                    | >70  | ±0.4      | ±0.5      |
| >70                    | >100 | ±0.5      | ±0.6      |
| >100                   | >150 | ±0.6      | ±0.8      |
| >150                   | >200 | ±1        | ±1.2      |
| >200                   | >250 |           |           |
| >250                   | >300 |           |           |
| >300                   | >400 |           |           |

|  |              |            |
|--|--------------|------------|
| DWG TYPE   | PART DRAWING |            |
| STYLE  |              |            |
| VOLUME (CM³)   | SEE CHART    | DISTR CODE |
| ROUTING  | 6900         | D          |
| UNLESS OTHERWISE SPECIFIED   |              |            |
| THIS DOCUMENT IS IN ACCORDANCE WITH ASME Y14.5M-1994 AS AMENDED BY THE GM GLOBAL DIMENSIONING AND TOLERANCING ADDENDUM - 1997. ALL GEOMETRIC TOLERANCES AND RELATED DATUMS APPLY RFS. RULE #1 PERFECT FORM AT MMC DOES NOT APPLY WHEN RELATIONSHIP BETWEEN FEATURES IS ESTABLISHED BY ORIENTATION OR LOCATION TOLERANCES. SEPARATE POSITION CALLOUTS MAY BE GAGED SEPARATELY, REGARDLESS OF DATUM REFERENCE. ALL DIMENSIONS ARE IN MILLIMETERS |              |            |
| DIMENSIONS ENCLOSED IN ( ) INDICATE REFERENCE DIMENSIONS AND NO TOLERANCE LIMITS ARE ESTABLISHED   |              |            |
| THIRD ANGLE PROJECTION   |              |            |
| DO NOT SCALE   |              |            |
| USE MATH DATA  |              |            |

**DELPHI**  
DELPHI PACKARD ELECTRIC SYSTEMS  
WARREN, OH

|       |                 |      |        |
|-------|-----------------|------|--------|
| DR    | CRAIG COGGINS   | DATE | 28MR01 |
| APVD1 | CRAIG COGGINS   |      | 28MR01 |
| APVD2 | CRAIG COGGINS   |      | 30MR01 |
| APVD3 | COURTNEY MANSKY |      | 04AP01 |
| APVD4 |                 |      |        |
| APVD5 |                 |      |        |

UNLESS OTHERWISE SPECIFIED  
SUBSTANCES OF CONCERN AND RECYCLED CONTENT PER DELPHI 10949001

MATERIAL SEE CHART

DRAWING NAME  
TAXI LOCK TPA GT 150 280 16 N/A

DRAWING NUMBER  
15410213

|      |    |       |     |          |        |          |        |     |   |     |    |     |   |
|------|----|-------|-----|----------|--------|----------|--------|-----|---|-----|----|-----|---|
| SIZE | A1 | SCALE | 2:1 | FRAME NO | 1 OF 1 | SHEET NO | 1 OF 1 | STG | R | REV | 03 | N/P | - |
|------|----|-------|-----|----------|--------|----------|--------|-----|---|-----|----|-----|---|

| PART NO  | REV | N/P | STATUS | TYPE | MATERIAL SPECIFICATION AND COLOR | VOL CM³ |
|----------|-----|-----|--------|------|----------------------------------|---------|
| 15410209 | 01  | AB  | ACTIVE | 102  | M3592008 PA66 HS IM BLU          | 4.223   |
| 15355359 | 02  | AC  | ACTIVE | 101  | M3592008 PA66 HS IM BLU          | 3.312   |

## X-ON Electronics

Largest Supplier of Electrical and Electronic Components

*Click to view similar products for [Automotive Connectors](#) category:*

*Click to view products by [APTIV](#) manufacturer:*

Other Similar products are found below :

[003-018-000](#) [60993906-B](#) [M902-2131](#) [M902-2161](#) [M902-2344](#) [72.330.1035.1](#) [73.353.4028.0](#) [F166900](#) [F358300-B](#) [F407400](#) [776880-1](#)  
[827153-1](#) [8N1515-32-24P](#) [9-1326729-8](#) [925474-1](#) [928905-1](#) [964562-4](#) [968782-1](#) [98891-1012](#) [12004475-L](#) [12020308](#) [12041318-B](#)  
[12052466](#) [12064869](#) [12015909](#) [1-21030-1](#) [12041254](#) [12041318](#) [12047946-B](#) [12110546-B](#) [12131792](#) [12084688](#) [12092346](#) [HD34-18-14PT](#)  
[HD46-24-23SN-059](#) [HDB36-24-16PN-059](#) [HDP26-24-9SE-L015](#) [12185280](#) [12185550](#) [12336-12](#) [12191172-B](#) [12S](#) [13545280](#) [13577943](#)  
[13681974](#) [13737722-B](#) [13830674](#) [13832576](#) [13849772](#) [13542772](#)