
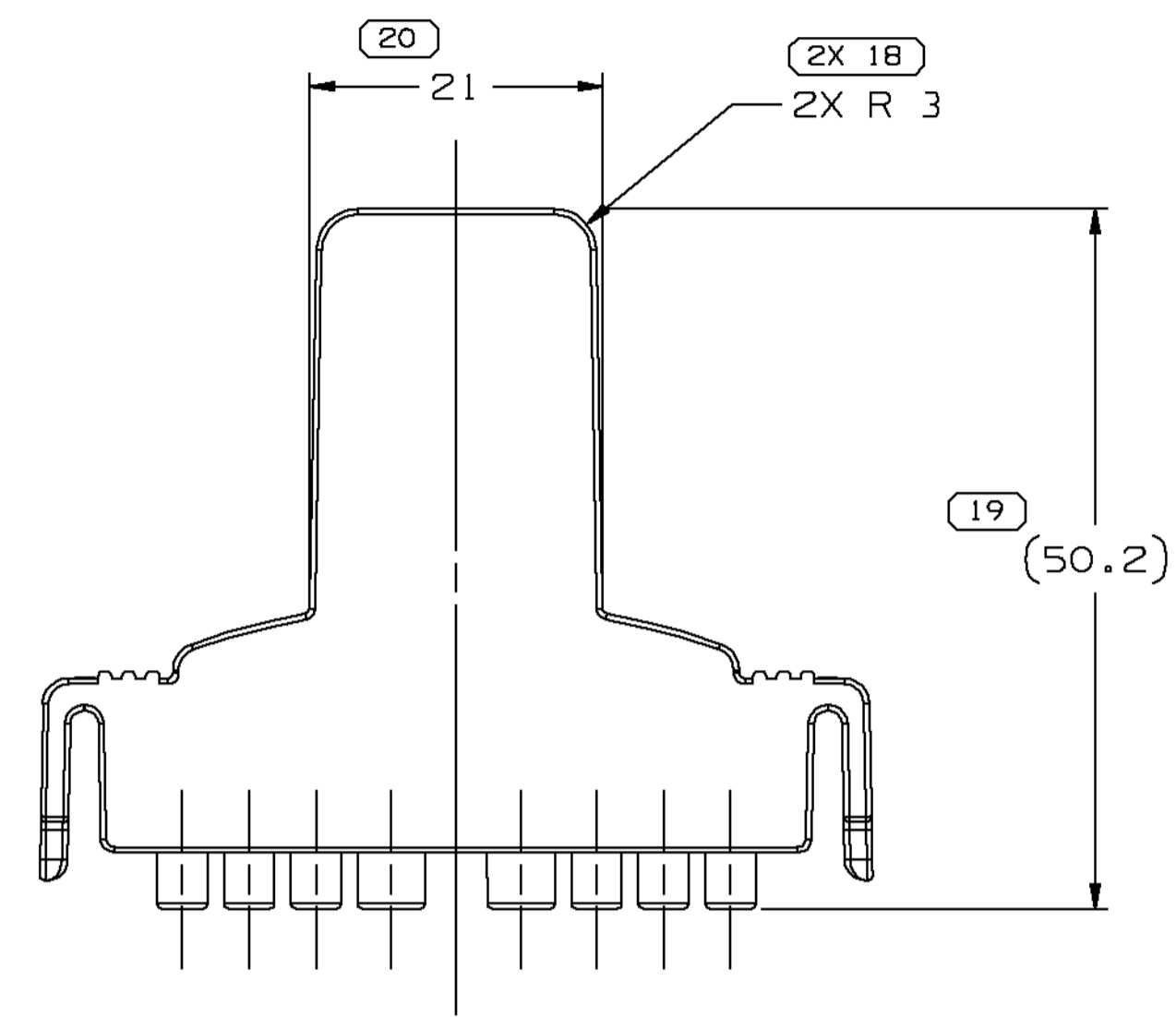
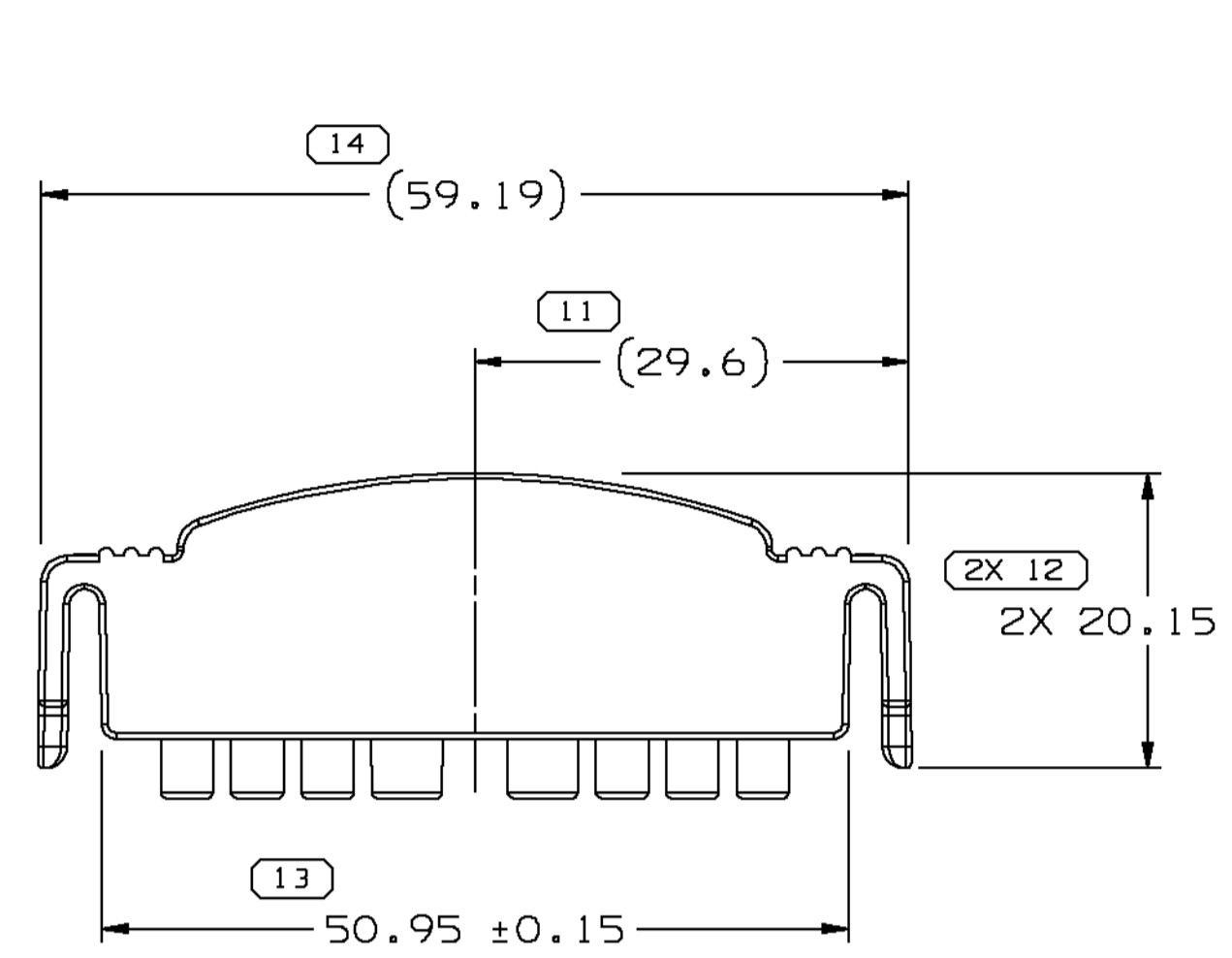
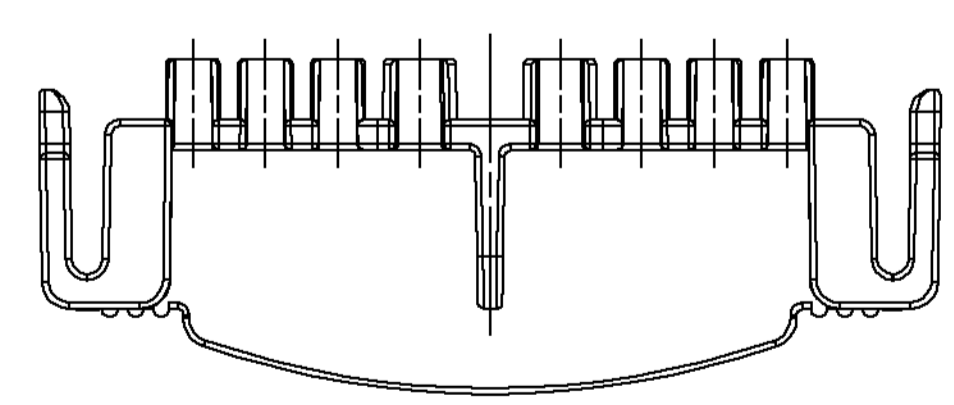
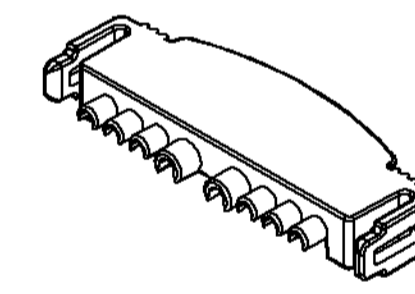
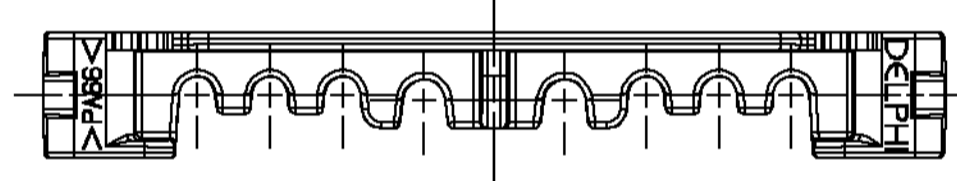
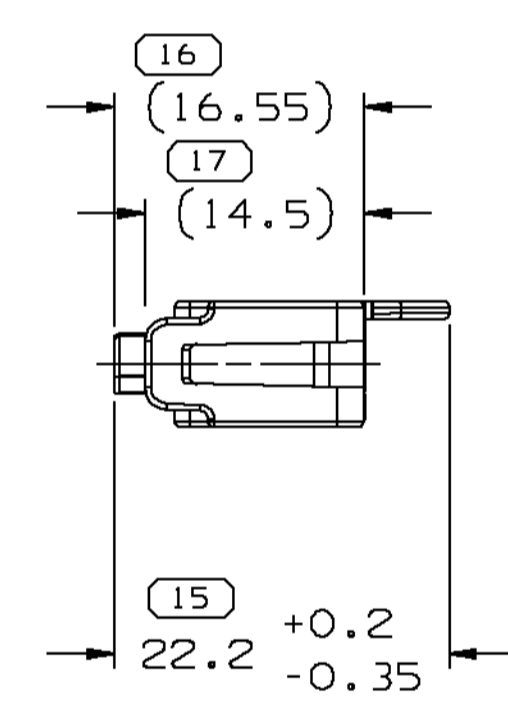
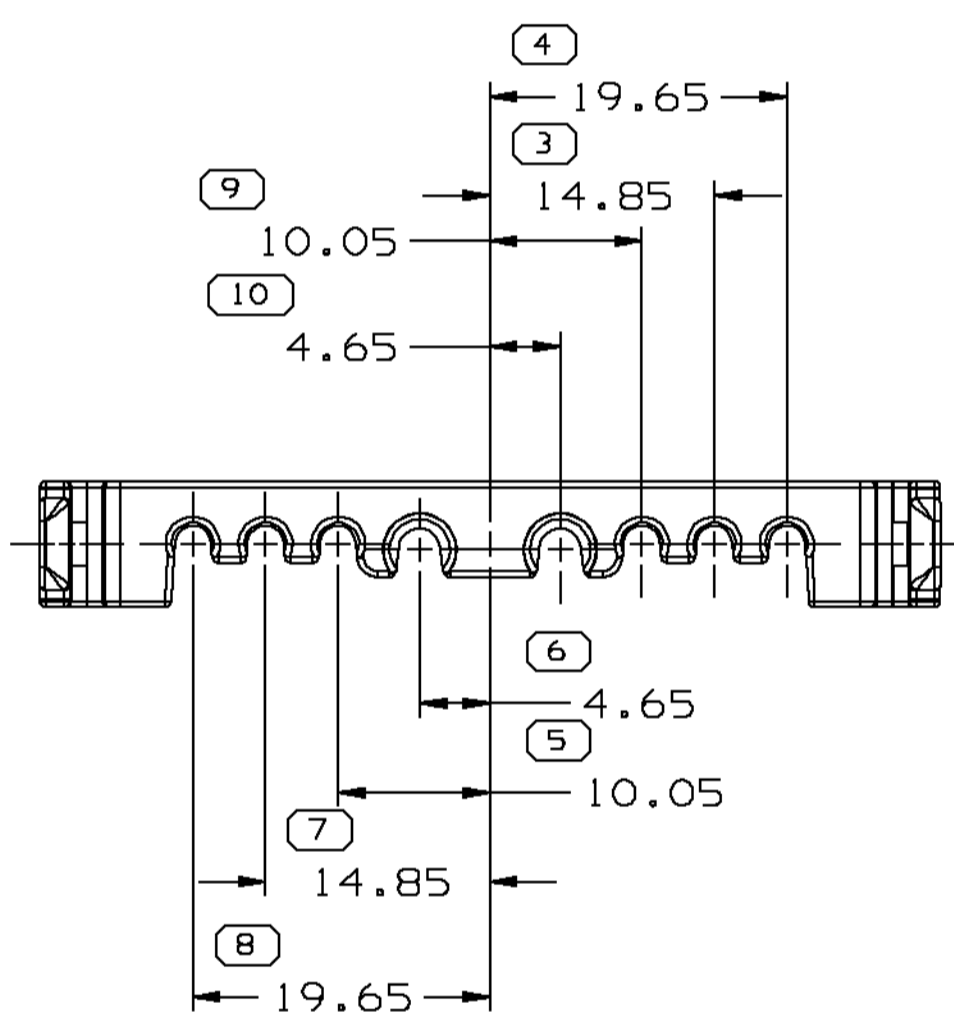
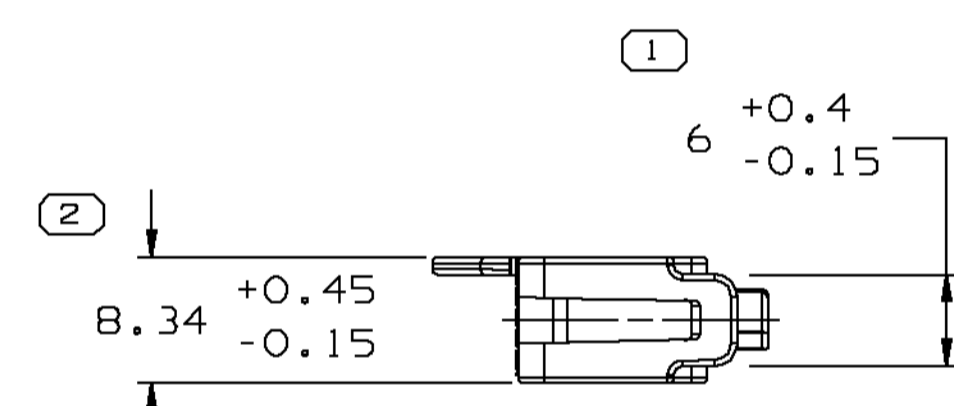


SYMBOL DEFINITION		
A DIMENSION WITHOUT AN INSPECTION REPORT SYMBOL  DOES NOT REQUIRE INSPECTION. IT MAY BE CONTROLLED ON THE INDIVIDUAL COMPONENT DRAWING.	TOTAL NO OF INSPECTIONS REQUIRED	22
	LAST NO. USED	20

MISSING SYMBOLS		DWG STATUS		ZONE	REVISION HISTORY	AUTH	DR	CK	APVD					
DATE	NO MISSING SYMBOL NUMBER	STG	REV							CHG	N/P			
28MRO1		R	001	-	-					15355360 WAS SEPERATE DRAWING, 15410210 RELEASED	208295	CJC	CJC	CAM
300C01		R	002	-	-					ALL PARTS - MATERIAL WAS R0071790 PA66 HS IM BLU	216588	CJC	CJC	CAM
29N001		R	003	-	-					UPDATED TOLERANCES	217960	CJC	CJC	CAM




TYPE 102  
SAME AS TYPE 101  
EXCEPT AS SHOWN



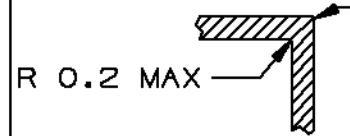
TYPE 101

NOTES:

- UNLESS OTHERWISE SPECIFIED AND/OR INDICATED: DIMENSIONS ARE TO FACE OF VIEW SHOWN AND AUTOMATICALLY ROUNDED BY COMPUTER FOR INSPECTION. (SEE MATH MODEL FOR PRECISE DIMENSION) FOR ALL OTHER DIMENSIONS NOT SHOWN BUT REQUIRED FOR TOOL BUILD, SEE MATH MODEL FOR PRECISE TOOL PATH DATA.
- MATING COMPONENTS: CONNECTOR 15366099 OR EQUIVALENT

<b>DELPHI</b> Automotive Systems			
MATERIAL SPEC SEE CHART			
SUBSTANCES OF CONCERN AND RECYCLED CONTENT PER DELPHI-A 10949001		DISTR CODE	
PART DRAWING			
CODE NUMBER 6900	DWG DATE 28MRO1	SCALE 2:1	D
QC SPEC	STYLE	VOLUME cm <sup>3</sup> SEE CHART	
PART GEOMETRY 3D SOLID	UNLESS OTHERWISE SPECIFIED:		
	THIS DOCUMENT IS IN ACCORDANCE WITH ASME Y14.5M - 1994 AS AMENDED BY THE GM GLOBAL DIMENSIONING AND TOLERANCING ADDENDUM - 1997. ALL GEOMETRIC TOLERANCES AND RELATED DATUMS APPLY RFS. RULE #1 (PERFECT FORM AT MMC) DOES NOT APPLY WHEN RELATIONSHIP BETWEEN FEATURES IS ESTABLISHED BY ORIENTATION OR LOCATION TOLERANCES. SEPARATE POSITION CALLOUTS MAY BE GAGED SEPARATELY REGARDLESS OF DATUM REFERENCES.		
CHANGE RESTRICTED NO MANUAL CHANGES	REFERENCE	DR	DATE
COPY OF MATH DATA DO NOT SCALE		CRAIG COGGINS	28MRO1
		CRAIG COGGINS	28MRO1
		CRAIG COGGINS	30MRO1
		COURTNEY MANSKY	04APO1
METRIC UNLESS OTHERWISE SPECIFIED, ALL DIMENSIONS ARE IN MILLIMETERS	DRAWING NAME		
THIRD ANGLE PROJECTION	TAXI TPA 8F GT 150,280		

PART NO	STG	REV	N/P	STATUS	TYPE	MATERIAL SPECIFICATION AND COLOR	VOL CM <sup>3</sup>
15410210	R	002	AA	ACTIVE	102	R0071784 PA66 HS IM GRA MED	2.974
15355360	R	003	AB	ACTIVE	101	R0071784 PA66 HS IM GRA MED	2.365

 R 0.2 MAX SHARP CORNER TOLERANCE	R 0.1 MAX							
	DIMENSIONAL RANGE (MM)							
	FROM TO	CHART E1						
0 20	> 20 30	> 30 70	> 70 100	> 100 150	> 150 200	> 200 250	> 250 300	> 300 400
TOLERANCE UNLESS OTHERWISE SPECIFIED								
ANGULAR TOLERANCE ± 2°								

SHEET NUMBER	DRAWING NUMBER	DWG STATUS	SIZE
1 OF 1	15410214	R 003 -	A1

## X-ON Electronics

Largest Supplier of Electrical and Electronic Components

*Click to view similar products for [Automotive Connectors](#) category:*

*Click to view products by [APTIV](#) manufacturer:*

Other Similar products are found below :

[003-018-000](#) [60403001](#) [60993906-B](#) [629515004020001](#) [M902-2131](#) [M902-2161](#) [72.330.1035.1](#) [73.353.4028.0](#) [F119300-B](#) [F166900](#)  
[F258300-B](#) [F358300-B](#) [F407400](#) [F444110](#) [F487000](#) [F509500B-B](#) [827153-1](#) [8N1515-32-24P](#) [9-1326729-8](#) [925474-1](#) [928905-1](#) [964562-4](#)  
[968782-1](#) [GT17SA-8DS-HU](#) [98891-1012](#) [98947-1016](#) [12004475-L](#) [12010290](#) [12010309-B](#) [12015454](#) [12020219-B](#) [12020308](#) [12041318-B](#)  
[12052225-L](#) [12052466](#) [12059125](#) [12064869](#) [12004327-B](#) [12010503-B](#) [12015308](#) [12015384](#) [12015909](#) [1-21030-1](#) [12041254](#) [12041318](#)  
[12047946-B](#) [12047957](#) [12047957-L](#) [12059473](#) [12066261](#)