

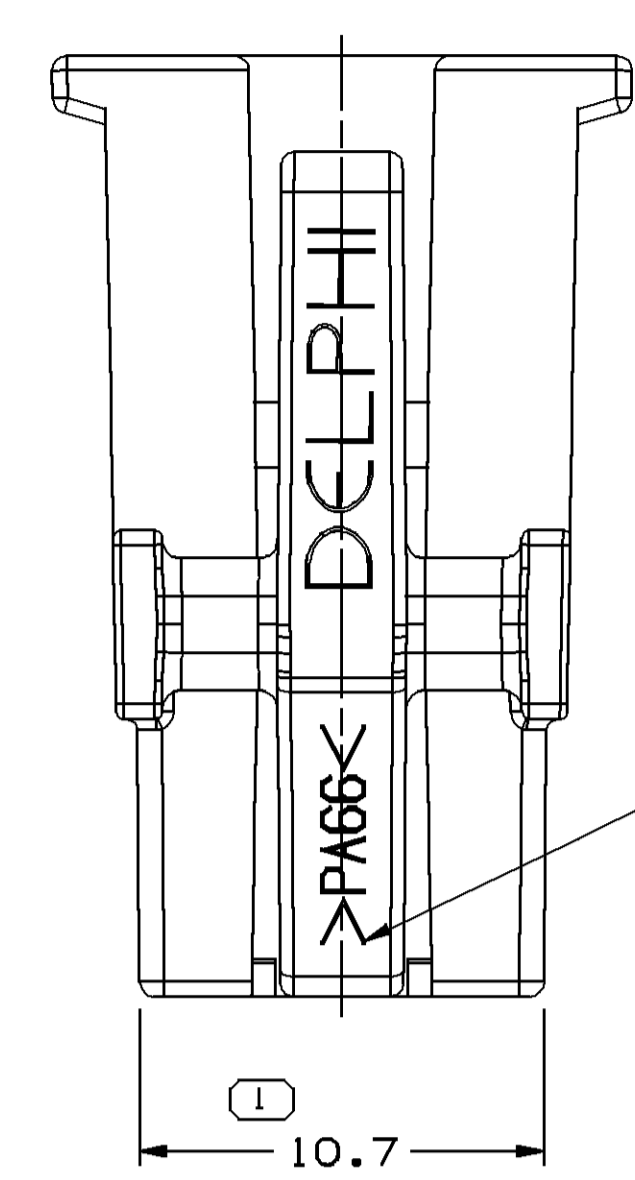
MATERIAL SPECIFICATIONS

RECOMMENDED
 BASE METAL - CDA-210, EXTRA SPRING TEMPER
 PLATING - 0.005±0.0025 MM THICK TIN

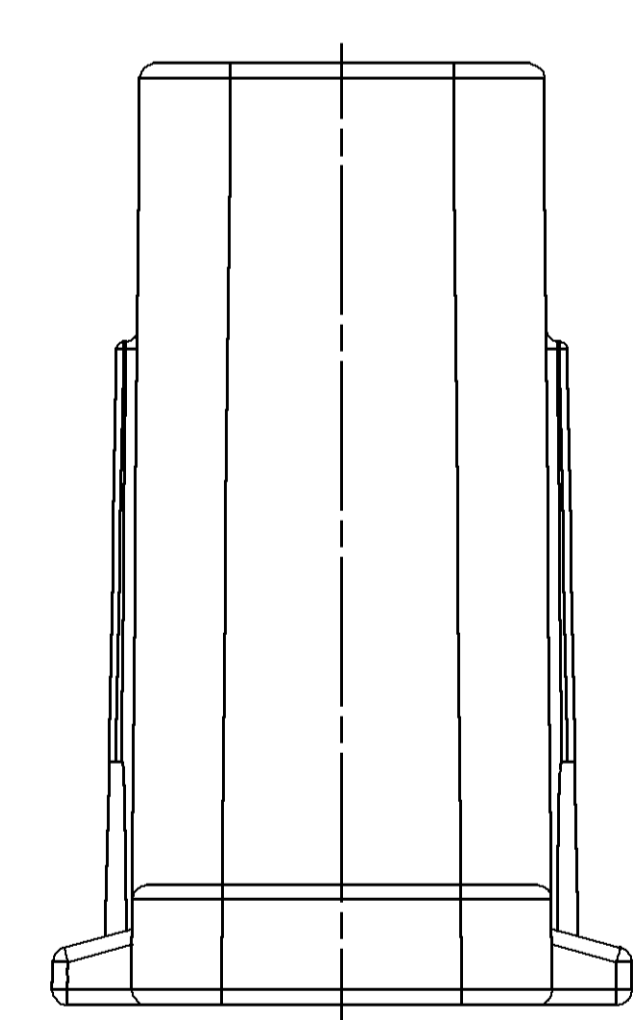
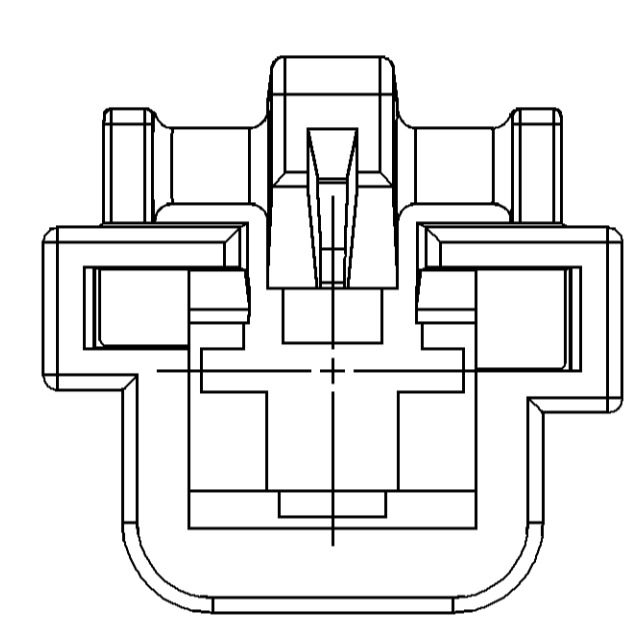
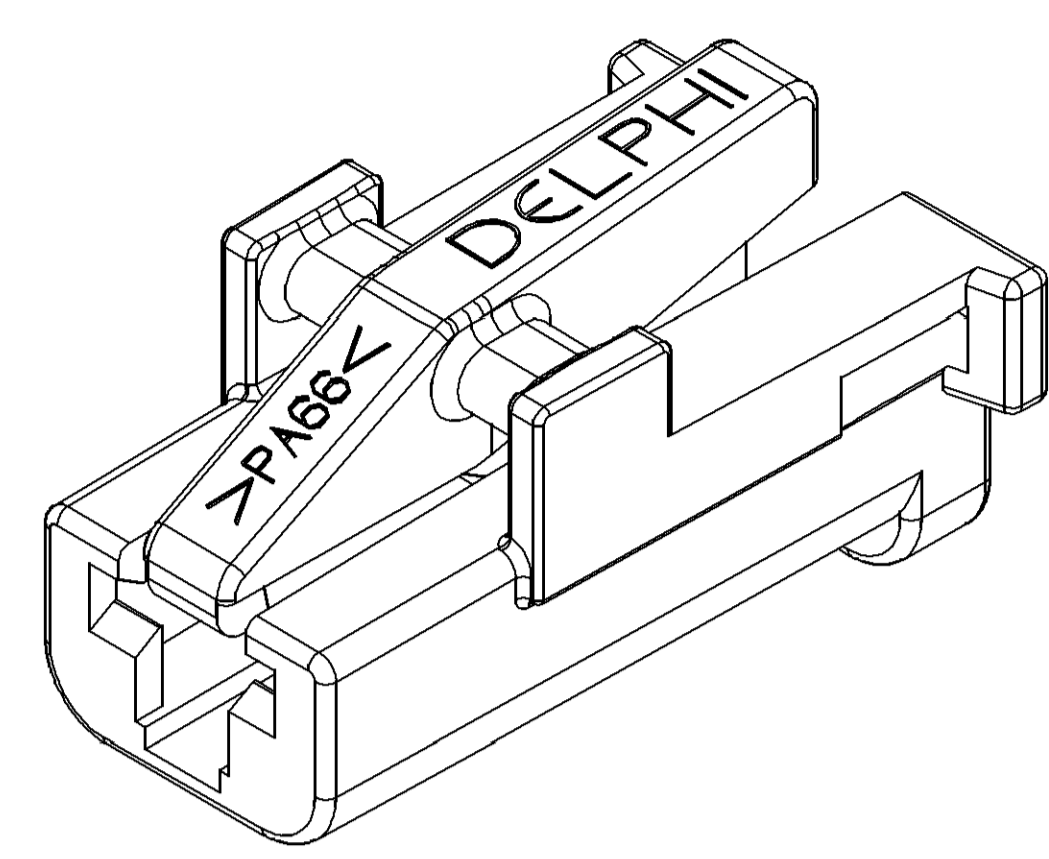
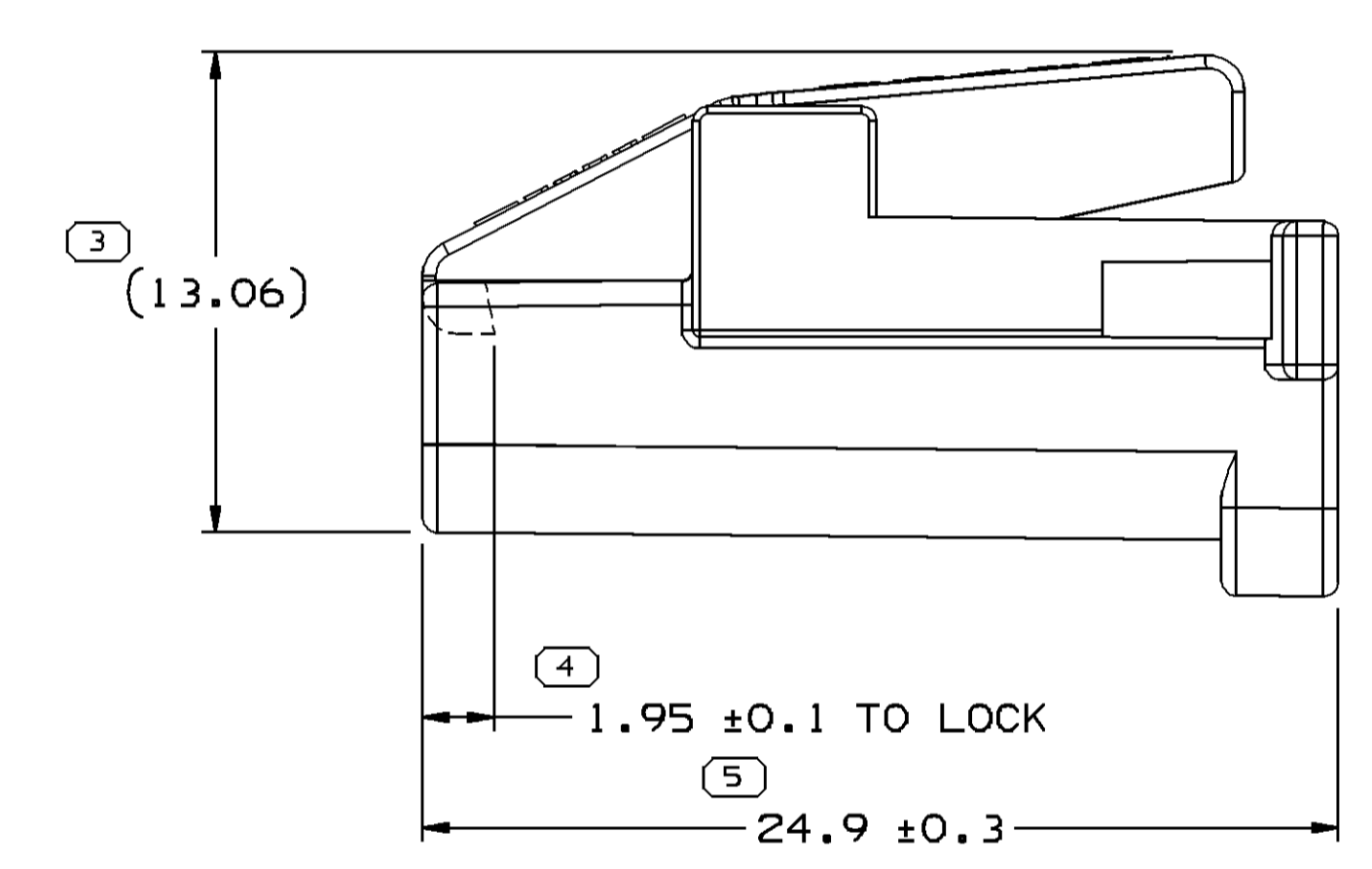
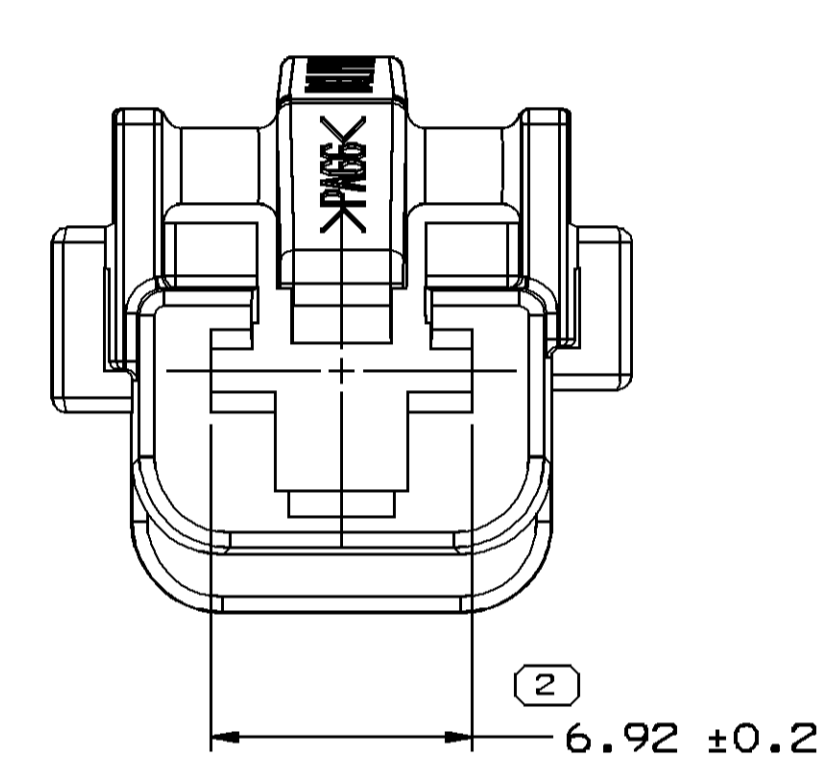
MINIMUMS
 ELECTRICAL CONDUCTIVITY - ≥20% IACS AT 20°C. USE OF A MATERIAL WITH CONDUCTIVITY <20% IACS MUST BE APPROVED BY PACKARD ELECTRIC MATERIALS ENGINEERING.
 TENSILE STRENGTH - 407 MPa
 PLATING - FOR LOW ENERGY (≤5v) AND NON-PASSENGER COMPARTMENT POWER CIRCUITS, 0.005±0.0025 MM THICK TIN. FOR MATERIALS CONTAINING 10% OR MORE ZINC, AN UNDERPLATE OF COPPER 0.005±0.0025 MM THICK IS REQUIRED.

MATING BLADE INFORMATION
 SCALE 10:1

INSPECTION SYMBOLS SHOWN IN THESE VIEWS ARE FOR REFERENCE ONLY



MATERIAL RECYCLING CODE OPTIONAL



SYMBOL DEFINITION		TOTAL NO OF INSPECTIONS REQUIRED	MISSING SYMBOLS
A DIMENSION WITHOUT AN INSPECTION REPORT SYMBOL DOES NOT REQUIRE INSPECTION. IT MAY BE CONTROLLED ON THE INDIVIDUAL COMPONENT DRAWING.		24	NO MISSING SYMBOL NUMBER
	LAST NO. USED	20	

DWG STATUS				REVISION HISTORY		AUTH	DR	AP/D	AP/D
DATE	STG	REV	N/P	CHG	ZONE				
180C99	R	01	-	-		990005	FRB	MVA	DME
14MR00	R	01	AA	-		199440	KBD	KBD	MDM
21AP00	R	02	-	-		199546	EVV	MVA	MDM
18M100	R	02	AA	-		201521	ALS	ALS	MDM
24M100	R	02	AB	-		201580	ALS	ALS	MDM
10FE09	R	02	AC	-		407193	PTG	ECB	PTG
12MR09	R	02	AD	-		407527	PTG	ECB	PTG

NOTES

- UNLESS OTHERWISE SPECIFIED AND/OR INDICATED:
 DIMENSIONS ARE TO FACE OF VIEW SHOWN AND AUTOMATICALLY ROUNDED BY COMPUTER FOR INSPECTION (SEE MATH MODEL FOR PRECISE DIMENSIONS). FOR ALL OTHER DIMENSIONS NOT SHOWN BUT REQUIRED FOR TOOL BUILD, SEE MATH MODEL FOR PRECISE TOOL PATH DATA.
- MATERIAL RECYCLING CODE PER ISO 11469. (1.13)(10.1) CHARACTERS AS SHOWN TO BE LOCATED ON ANY EXTERIOR SURFACE.
- THIS PRODUCT IS NOT CATEGORIZED AS AN APPEARANCE ITEM, MINOR IMPERFECTIONS INCLUDING, BUT NOT LIMITED TO, FLOW MARKS, COLOR BLEMISHES, GATE VESTIGE, AND SOFT FLASH THAT DO NOT AFFECT THE FIT, FORM, OR FUNCTION OF THE PART ARE PERMISSIBLE PER NAP 4.10-18.
- THIS PART IS NOT CONTROLLED FOR AUTOMATIC FEEDING.
- (1.7)(10.05) DELPHI CORPORATE BRAND TO BE LOCATED ON ANY EXTERIOR SURFACE, PREFERABLY VISIBLE AT FINAL ASSEMBLY. OPTIONAL CONSTRUCTION FOR EXISTING TOOLING MAY BE "PED".
- FOR APPLICATION DATA SEE THE APPLICATION DRAWING.

Dwg TYPE PART DRAWING	
STYLE	DISTR CODE
VOLUME 10/1	1,291
UNLESS OTHERWISE SPECIFIED PERFECT FORM REQUIRED FOR FEATURES OF SIZE AT MTD. THESE POINTS ON TOLERANCES AND RELATED DATUMS APPLY AT ONE TITAN OF SIZE INDICATED IN FEATURE CONTING FRAME. ALL OTHER GEOMETRIC TOLERANCES AND RELATED DATUMS APPLY PER SEPARATE POSITION CALLOUTS MAY BE BAGED SEPARATELY, REGARDLESS OF DATUM REFERENCE.	
ALL DIMENSIONS ARE IN MILLIMETERS	
REFERENCE	
(S) PROCESS SENSITIVE DIMENSION	
DIMENSIONS ENCLOSED IN () INDICATE REFERENCE DIMENSIONS AND NO TOLERANCE LIMITS ARE ESTABLISHED	
DIMENSIONAL RANGE (MM)	CHART ET
FROM > 0	> 30
TO 20	70
30	100
100	150
150	200
200	250
250	300
300	400
TOLERANCE UNLESS OTHERWISE SPECIFIED	
±0.15	±0.2
±0.3	±0.4
±0.5	±0.6
±0.8	±1
±1.2	±1.6
ANGULAR TOLERANCE 2°	
THIRD ANGLE PROJECTION	DO NOT SCALE
SCALE	USE MATH DATA
NX	

DELPHI
 DELPHI PACKARD ELECTRICAL/ELECTRONIC ARCHITECTURE
 WREN, OH

DR	DATE
AP/D1 FCO, RESENDIZ	180C99
AP/D2 MANUEL VEGA	180C99
AP/D3 DAN MCEOWEN	280C99
AP/D4	
AP/D5	
SUBSTANCES OF CONCERN AND RECYCLED CONTENT PER DELPHI 10949001	
MATERIAL: POLYAMIDE COMPOUND BLACK	
DRAWING NAME CONN 1 F M/P 630	
DRAWING NUMBER 15355428	
SIZE A0	SCALE 5:1
FRAME NO 1	SHEET NO 1
REV R	N/P 02

X-ON Electronics

Largest Supplier of Electrical and Electronic Components

Click to view similar products for [Automotive Connectors](#) category:

Click to view products by [APTIV](#) manufacturer:

Other Similar products are found below :

[003-018-000](#) [60403001](#) [60993906-B](#) [629515004020001](#) [M902-2131](#) [M902-2161](#) [72.330.1035.1](#) [73.353.4028.0](#) [F119300-B](#) [F166900](#)
[F258300-B](#) [F358300-B](#) [F407400](#) [F444110](#) [F487000](#) [F509500B-B](#) [827153-1](#) [8N1515-32-24P](#) [9-1326729-8](#) [925474-1](#) [928905-1](#) [964562-4](#)
[968782-1](#) [GT17SA-8DS-HU](#) [98891-1012](#) [98947-1016](#) [12004475-L](#) [12010290](#) [12010309-B](#) [12015454](#) [12020219-B](#) [12020308](#) [12041318-B](#)
[12052225-L](#) [12052466](#) [12059125](#) [12064869](#) [12004327-B](#) [12010503-B](#) [12015308](#) [12015384](#) [12015909](#) [1-21030-1](#) [12041254](#) [12041318](#)
[12047946-B](#) [12047957](#) [12047957-L](#) [12059473](#) [12066261](#)