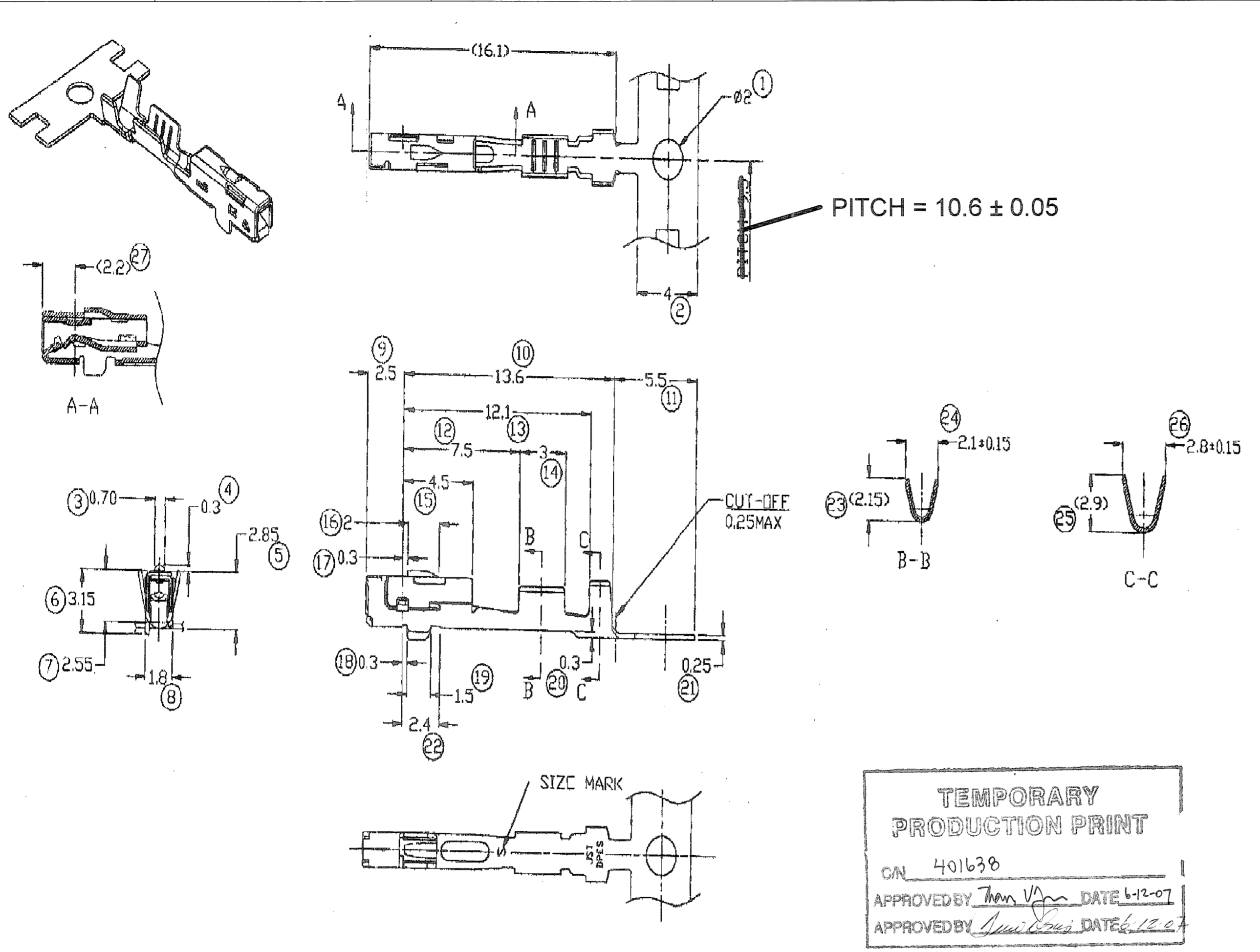


DELPHI PACKARD ELECTRIC SYSTEMS
WARREN, OHIO 44486

8 7 6 5 4 3 2 1



- NOTES
- UNLESS OTHERWISE SPECIFIED AND/OR INDICATED: DIMENSIONS ARE TO FACE OF VIEW SHOWN AND AUTOMATICALLY ROUNDED BY COMPUTER FOR INSPECTION.
 - PACKARD HANDLING MANUAL AVAILABLE.
 - THIS TERMINAL TO MATE TO 040III UNSEALED FEMALE CAVITY.
 - MATING COMPONENTS OR EQUIVALENT:
MALE TERMINAL: 15355486
FEMALE CONNECTOR: 15359143
 - FINISH TO BE PRE-PLATED REFLOW TIN WITH COPPER UNDERPLATING.
 - JIS WIRE SIZE (MM²): 0.3-0.5
SAE WIRE SIZE NO: 22,20
 - THIS PRODUCT WAS DESIGNED AND DEVELOPED JOINTLY BY JST & DELPHI
 - FOR TOYOTA USE ONLY, REPLACED BY 15443788 FOR ALL OTHERS.
 - DO NOT PROBE, TEST OR OTHERWISE CONTACT THE INTERIOR REGION (SPRING OR ANY MOVING PART) OF THIS TERMINAL. SEVERE DAMAGE CAN OCCUR, COMPROMISING THE PERFORMANCE OF THE ELECTRICAL INTERFACE.

**TEMPORARY
PRODUCTION PRINT**

CN 401638
APPROVED BY *John VA* DATE 6-12-07
APPROVED BY *Jim Lewis* DATE 6-12-07

DWG STATUS					ZONE	REVISION HISTORY	AUTH	DR	CK	APVD
DATE	STG	REV	CHG	N/P						
27AU99	R	001	-	-		TOYOTA CUSTOMER DRAWING CREATED	196649	TMN	TMN	DFM
09SE99	R	001	-	AA		UPDATED PDM ATTRIBUTES	196649	TMN	TMN	DFM
10JA00	R	001	-	AB		REVISED CORE & INSULATION CRIMP WINGS	198475	TMN	TMN	DFM
30MA00	R	001	-	AC		TQD CREATED	210226	TMN	TMN	DFM
01JL02	R	001	-	AD		CUSTOMER PART DRAWING UPDATED	227105	JS	JS	TV
14JN04	R	01	-	AE		REMOVED CONFORM NOTE	255859	TLD	TLD	TV
02MY05	R	01	-	AF		DISTRIBUTION CODE WAS DISTRIBUTABLE				
						DRAWING AND ADDED NOTE B	267199	GPS	JAA	KJL
20JL05	R	01	-	AG		UPDATED PDM ATTRIBUTES	261455	CCV	FRG	TV

AH
..

LIMITED DISTRIBUTION

THIS PRINT CAN ONLY BE DISTRIBUTED TO THE FOLLOWING LOCATIONS OUTSIDE OF DELPHI PACKARD ELECTRIC SYSTEMS

TOYOTA



MATERIAL SPEC	DIMENSIONAL RANGE (MM)		
MAX 251C COPPER ALLOY	FROM 0	1	5
REFLOW TIN PLATING	TO 1	5	> 5
	TOLERANCE UNLESS OTHERWISE SPECIFIED		
	±0.05	±0.1	±0.15
	ANGULAR TOLERANCE ± 3°		

PART DRAWING			DISTR CODE
CODE NUMBER 6901	DWG DATE 27AU99	SCALE 4:1	
QC SPEC	STYLE	WEIGHT grams 0.193	
PART GEOMETRY 2D PLANAR			DATE
 CHANGE RESTRICTED NO MANUAL CHANGES			
COPY OF MATH DATA DO NOT SCALE		REFERENCE	DR
METRIC UNLESS OTHERWISE SPECIFIED, ALL DIMENSIONS ARE IN MILLIMETERS			APVD1 TOM NADASKY 27AU99
			APVD2 TOM NADASKY 27AU99
			APVD3 DAN MCNALLY 10SE99
			APVD4
			APVD5
THIRD ANGLE PROJECTION		DRAWING NAME	
		TERM F 040 III SN	
SHEET NUMBER 1 OF 1	DRAWING NUMBER 15355438	DWG STATUS	
		STG	REV
		R	01
		AG	
		SIZE A2	

8 7 6 5 4 3 2 1

X-ON Electronics

Largest Supplier of Electrical and Electronic Components

Click to view similar products for [Automotive Connectors](#) category:

Click to view products by [APTIV](#) manufacturer:

Other Similar products are found below :

[003-018-000](#) [60403001](#) [60993906-B](#) [629515004020001](#) [M902-2131](#) [M902-2161](#) [72.330.1035.1](#) [73.353.4028.0](#) [F119300-B](#) [F166900](#)
[F258300-B](#) [F358300-B](#) [F407400](#) [F444110](#) [F487000](#) [F509500B-B](#) [827153-1](#) [8N1515-32-24P](#) [9-1326729-8](#) [925474-1](#) [928905-1](#) [964562-4](#)
[968782-1](#) [GT17SA-8DS-HU](#) [98891-1012](#) [98947-1016](#) [12004475-L](#) [12010290](#) [12010309-B](#) [12015454](#) [12020219-B](#) [12020308](#) [12041318-B](#)
[12052225-L](#) [12052466](#) [12059125](#) [12064869](#) [12004327-B](#) [12010503-B](#) [12015308](#) [12015384](#) [12015909](#) [1-21030-1](#) [12041254](#) [12041318](#)
[12047946-B](#) [12047957](#) [12047957-L](#) [12059473](#) [12066261](#)